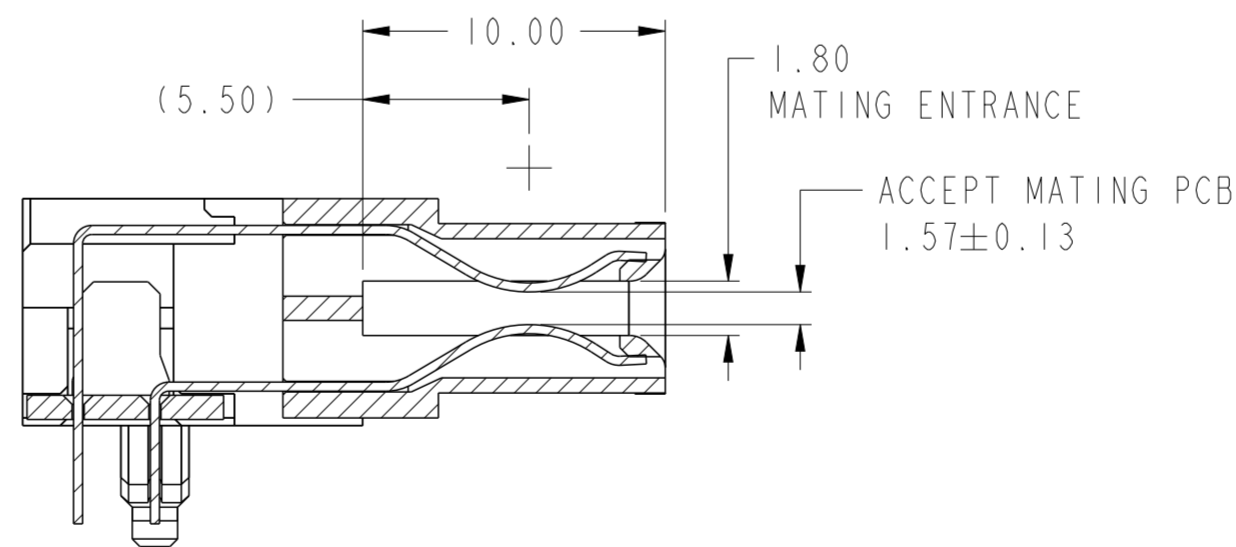


SECTION A-A
SCALE 4:1

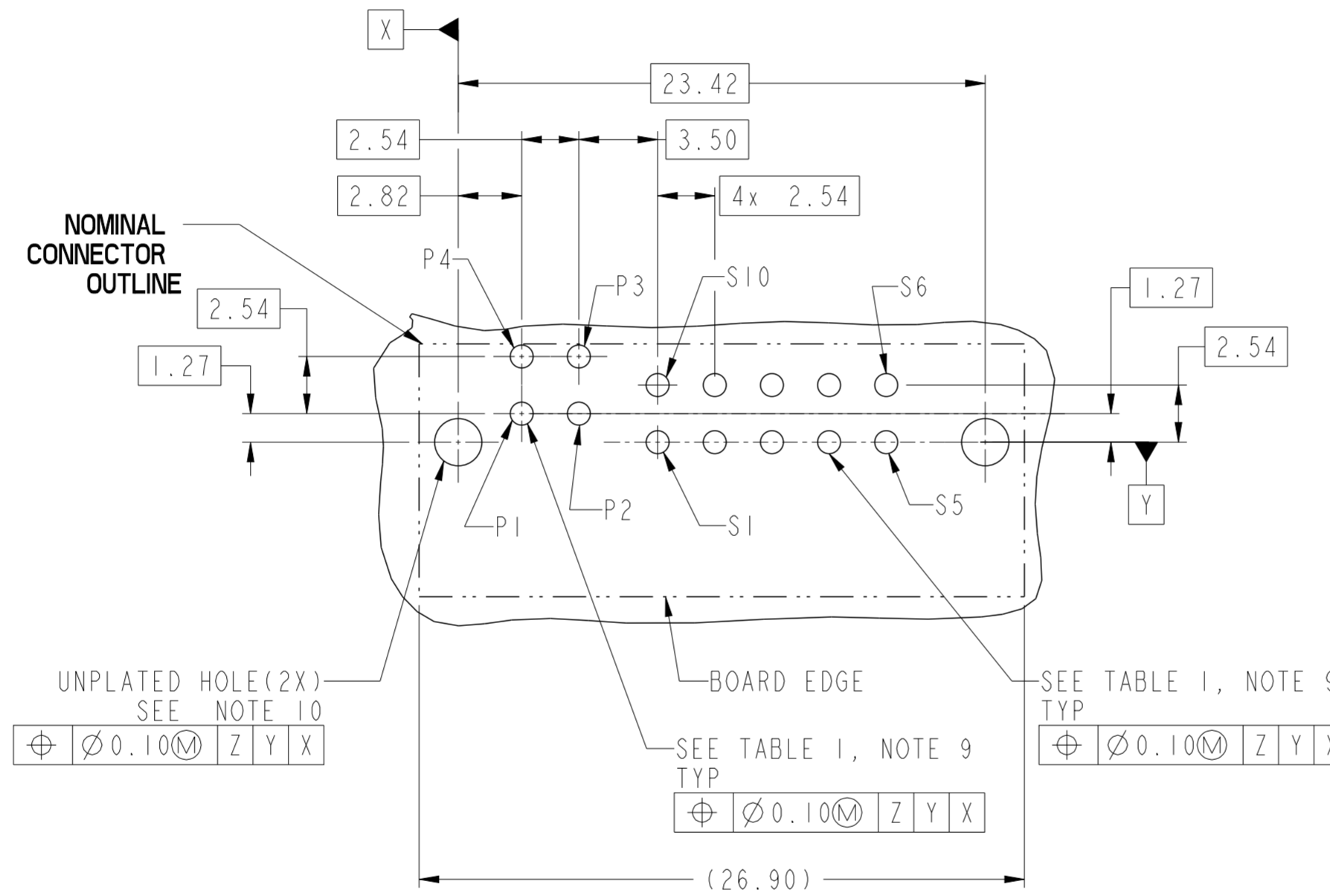


SECTION B-B
SCALE 4:1

spec ref	-	dr	Julia Wang	2013/09/18	projection	MM	size	A2	scale	4:1	
tolerance std	ISO 406 ISO 1101	eng	Sunny2 Liu	2016/12/06			ecn no	ELX-DG-2552-1	rel level	Released	
TOLERANCES UNLESS OTHERWISE SPECIFIED		chr	Terris Liu	2016/12/06							product family
surface	linear	0.X	±0.5	0.XX	±0.25	0.XXX	±0.10	angular	0°	±2°	
ISO 1302											
Amphenol FCI		title	R/A REC (4P+20S) OMIT 10S 4P20S(10S OMITTED)			cat. no.	Product - Customer Drw		sheet 1 of 4	rev	C

TABLE 1 (HPCE / SOLDER TAILS)
PLATED THROUGH-HOLE REQUIREMENTS

CONTACT TYPE	TOP LAYER DESCRIPTION	DRILLED HOLE DIAMETER	COPPER THICKNESS	TIN-LEAD THICKNESS	TIN THICKNESS	FINISHED HOLE DIAMETER
		POWER & SIGNAL	TIN-LEAD	1.10-1.16 (1.15 DRILL)	0.025 - 0.050	0.005 - 0.015
	IMMERSION TIN	1.10-1.16 (1.15 DRILL)	0.025 - 0.050	--	0.9 - 1.5um	0.94 - 1.10
	COPPER (SEE NOTE 8)	1.10-1.16 (1.15 DRILL)	0.025 - 0.050	--	--	0.94 - 1.10



RECOMMENDED PCB LAYOUT

Amphenol
FCi

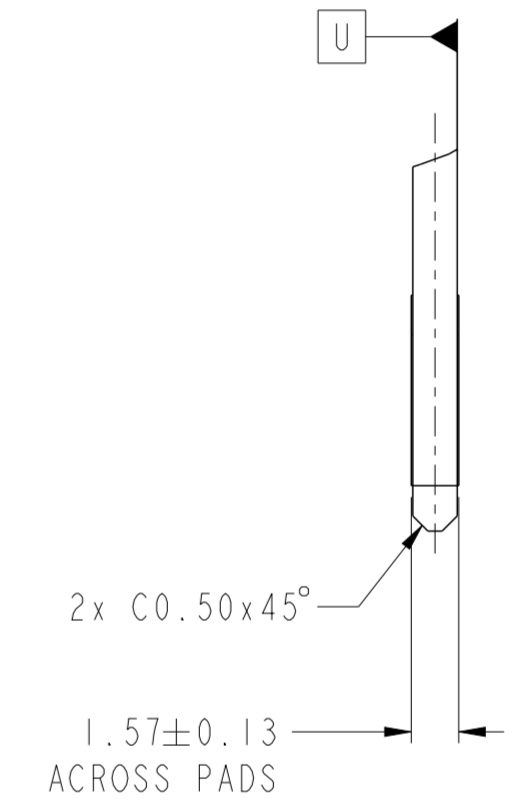
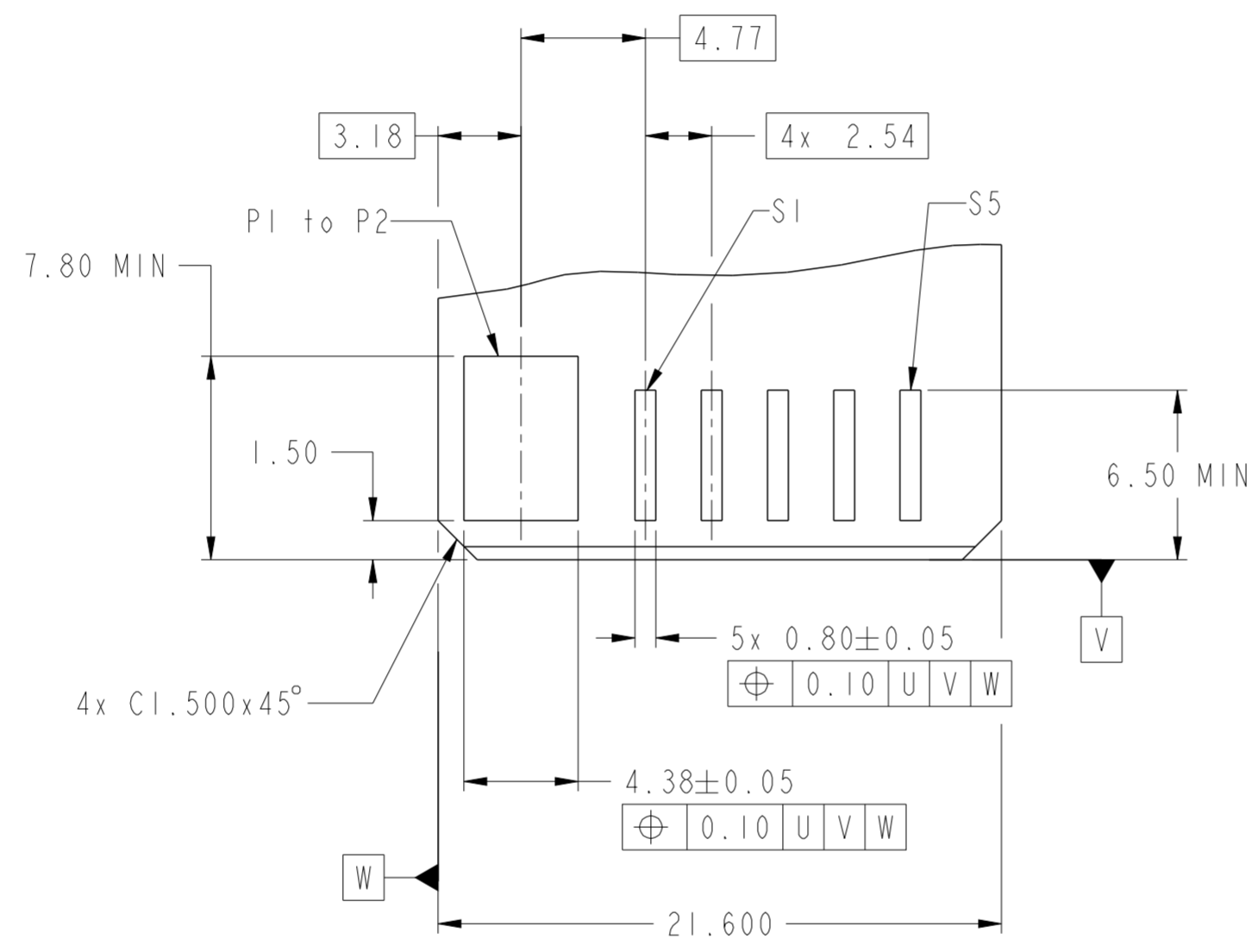
© 2016 AFci

spec ref	-	dr	Julia Wang	2013/09/18	projection	MM	size	A2	scale	4:1
tolerance std	ISO 406 ISO 1101	eng	Sunny2 Liu	2016/12/06			ecn no	ELX-DG-2552-1	rel level	Released
TOLERANCES UNLESS OTHERWISE SPECIFIED		chr	Terris Liu	2016/12/06						
surface	ISO 1302	appr	Pai-Ming Zheng	2016/12/08	product family		cat. no.	R/A REC (4P+20S) OMIT 10S 4P20S(10S OMITTED)	dlg no	10127310
									rev	C
									Product - Customer Drw	sheet 2 of 4

PDS: Rev :C

STATUS:Released

Printed: Dec 08, 2016



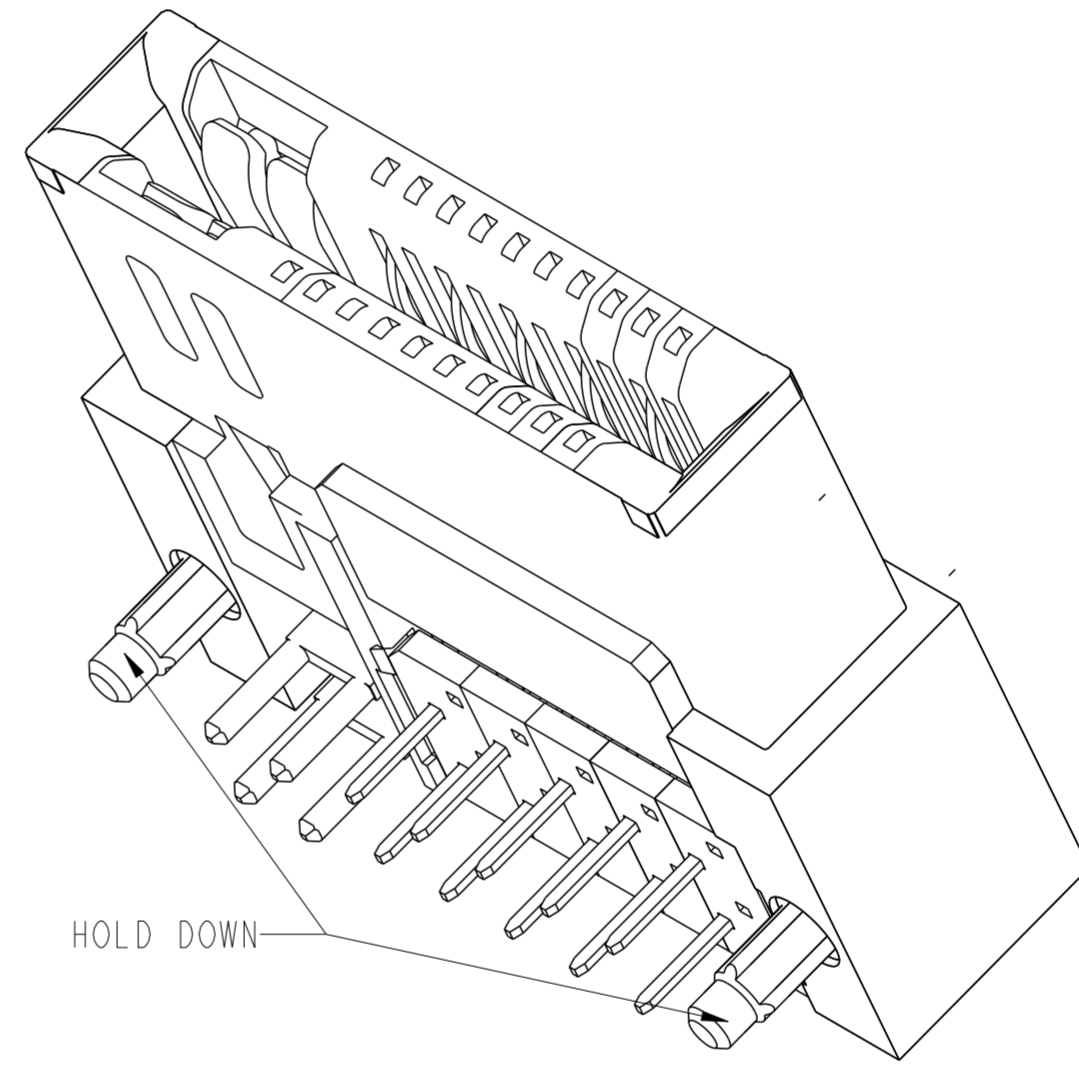
RECOMMENDED MATING BOARD FOOT PRINT

Amphenol FCI

© 2016 AFCI

spec ref	-	dr	Julia Wang	2013/09/18	projection	MM	size	A2	scale	4:1
tolerance std	ISO 406 ISO 1101	eng	Sunny2 Liu	2016/12/06			ecn no	ELX-DG-2552-1	rel level	Released
TOLERANCES UNLESS OTHERWISE SPECIFIED		chr	Terris Liu	2016/12/06						
surface	ISO 1302	appr	Pai-Ming Zheng	2016/12/08			R/A REC (4P+20S) OMIT 10S 4P20S(10S OMITTED)		dwg no 10127310	rev C
		cat. no.		Product - Customer Drw			sheet 3 of 4			

PART NUMBER	TAIL TYPE	HOLD DOWN OPTION	DIM "A" TAIL LENGTH
10127310-001LF	SOLDER TAIL	YES	3.25±0.25
10127310-002LF		NO	
10127310-003LF		YES	2.60±0.25
10127310-004LF		NO	



NOTES:

- CONNECTOR MATERIALS:
 HOUSING: HIGH TEMPERATURE THERMAL PLASTIC, BLACK
 UL 94V-0 COMPLIANT
 CONTACTS: HIGH PERFORMANCE COPPER ALLOY.
- CONTACT FINISH REF. GS-12-604 SECTION 5.2.
- PRODUCT SPECIFICATION: GS-12-604.
- APPLICATION SPECIFICATION: GS-20-128.
- PRODUCT MARKING ON HOUSING IN AREA SHOWN MEETS AFCI SPECIFICATION: GS-24-007.
- PACKAGING MEETS FCI SPECIFICATION GS-14-937.
- HOUSING COMPONENT WILL WITHSTAND EXPOSURE TO 260°C PEAK TEMPERATURE FOR 60 SECONDS IN A CONVECTION, INFRA-RED, OR VAPOR PHASE REFLOW OVEN.
- COPPER PLATING THICKNESS IN CENTER OF VIA-HOLE CAN BE NO MORE THAN 0.003 LESS THAN OTHER AREAS.
- ALL HOLE SIZES ARE FINISHED HOLE SIZES.
- MOUNTING HOLES ARE UNPLATED
 \varnothing 2.18 +/- 0.03 FOR SOLDER TAILS

spec ref	-	dr	Julia Wang	2013/09/18	projection	MM	size	A2	scale	4:1	
tolerance std	ISO 406 ISO 1101	eng	Sunny2 Liu	2016/12/06			ecn no	ELX-DG-2552-1			
TOLERANCES UNLESS OTHERWISE SPECIFIED		chr	Terris Liu	2016/12/06			rel level	Released			
surface	ISO 1302	appr	Pei-Ming Zheng	2016/12/08			product family				
linear	0.X ±0.5 0.XX ±0.25 0.XXX ±0.10	Amphenol FCI		title	R/A REC (4P+20S) OMIT 10S 4P20S(10S OMITTED)			dwg no	10127310		
angular	0° ±2°			cat. no.	Product - Customer Drw			rev	C		