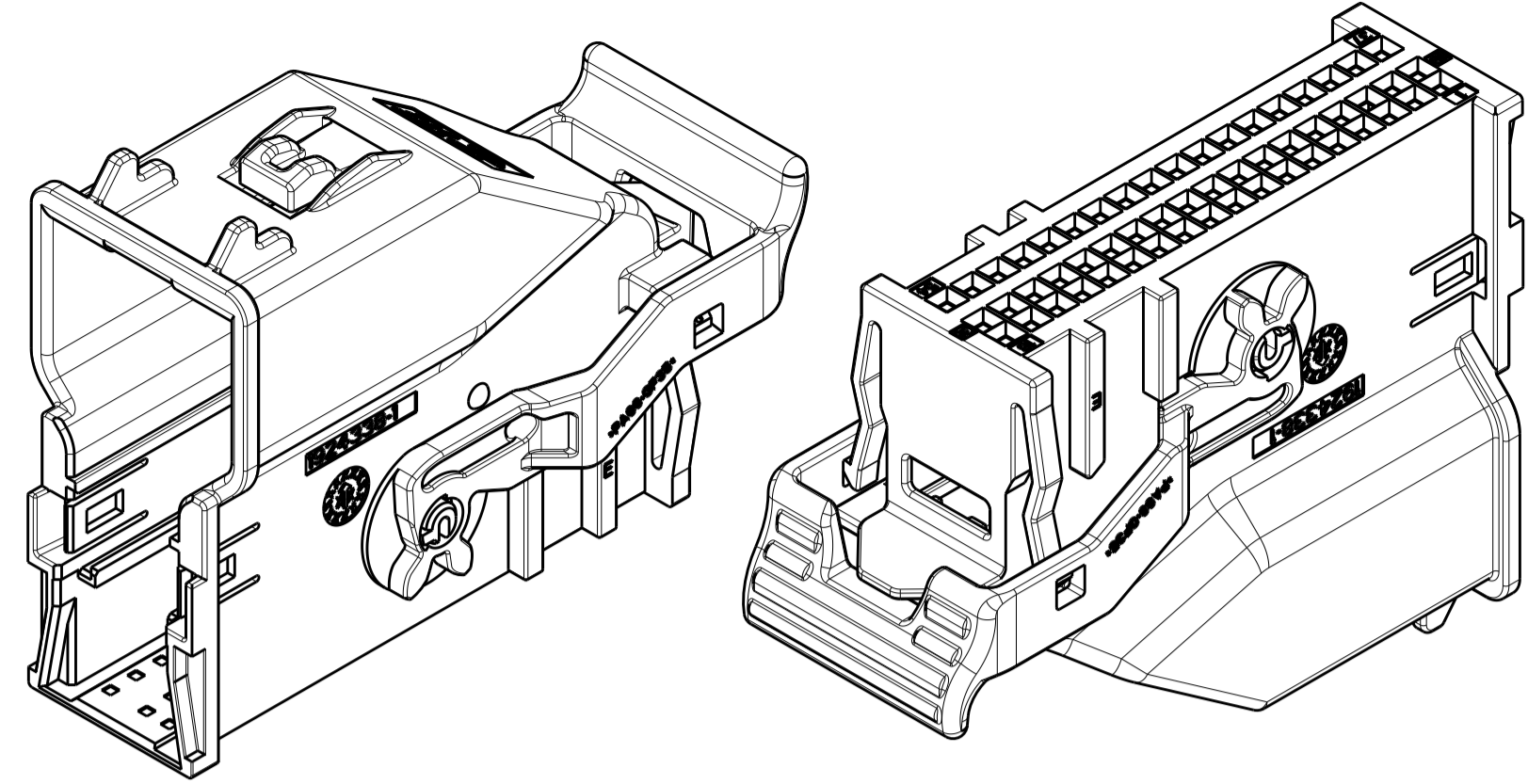
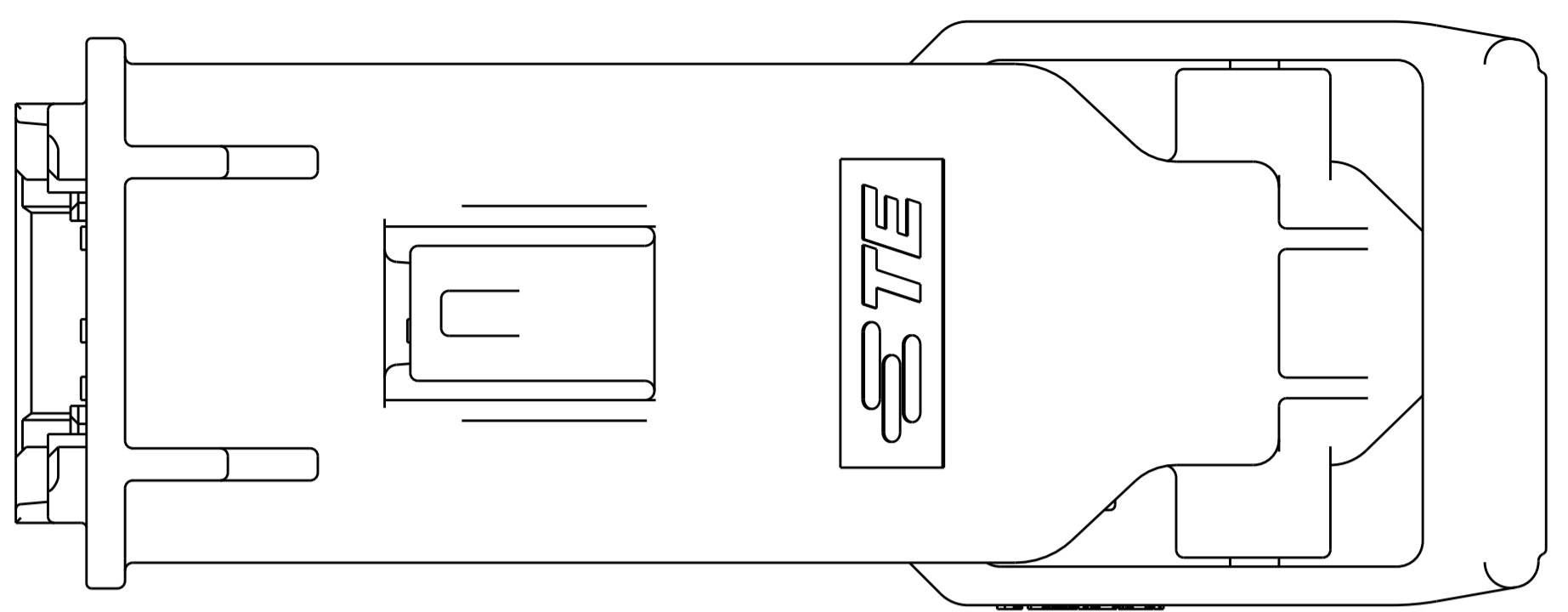


REVISIONS					
P.	LTN	DESCRIPTION	DATE	OWN	APP'D
A2		REVISED PER ECO-10-001736	27JAN2010	DLD	CJS
A3		REVISED PER ECO-16-000111	05JAN2016	DLD	CJS

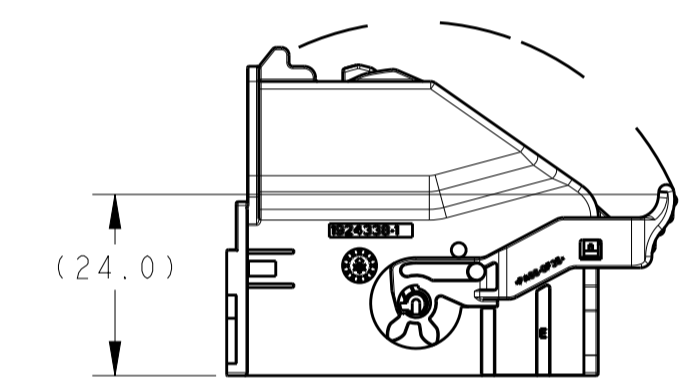
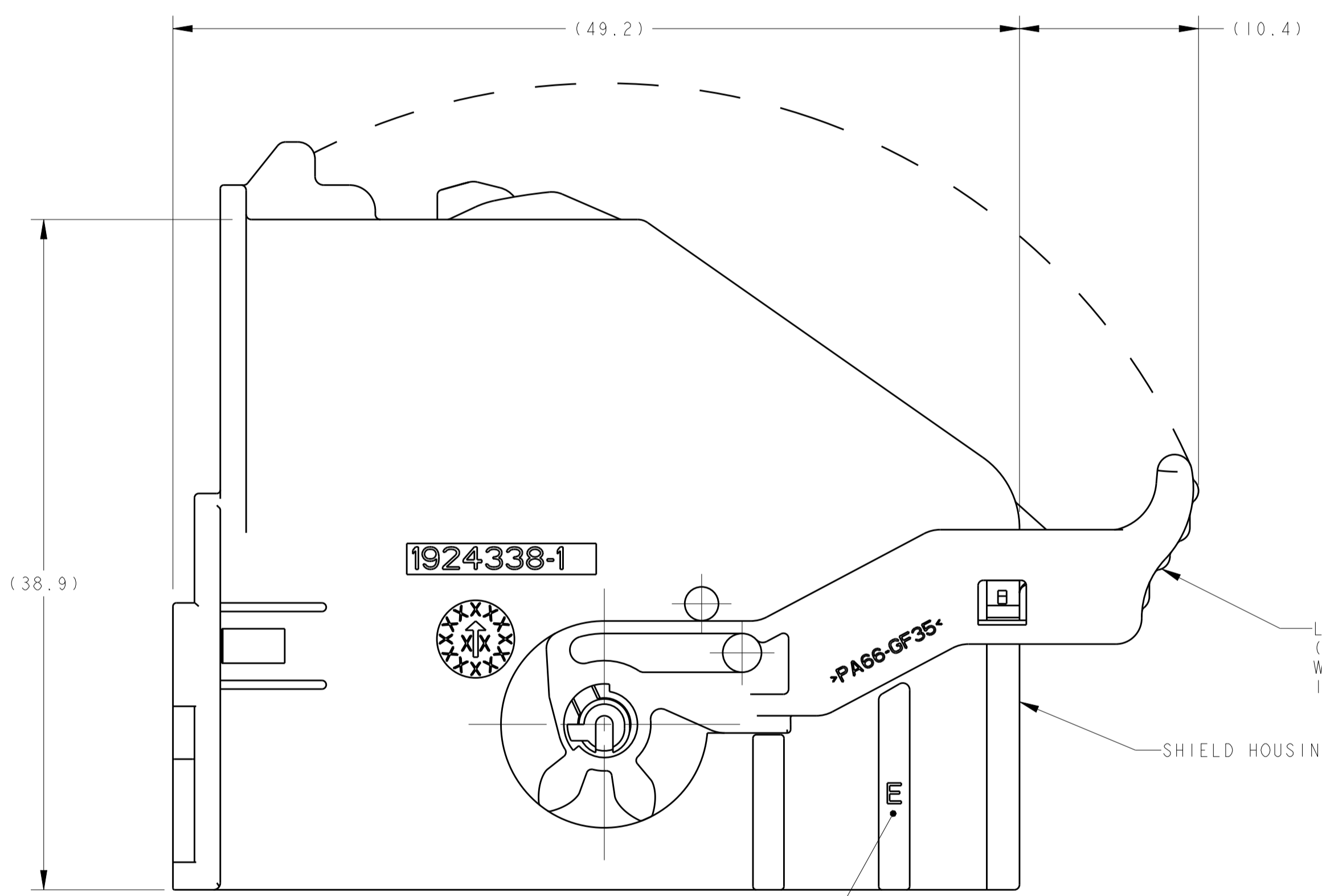
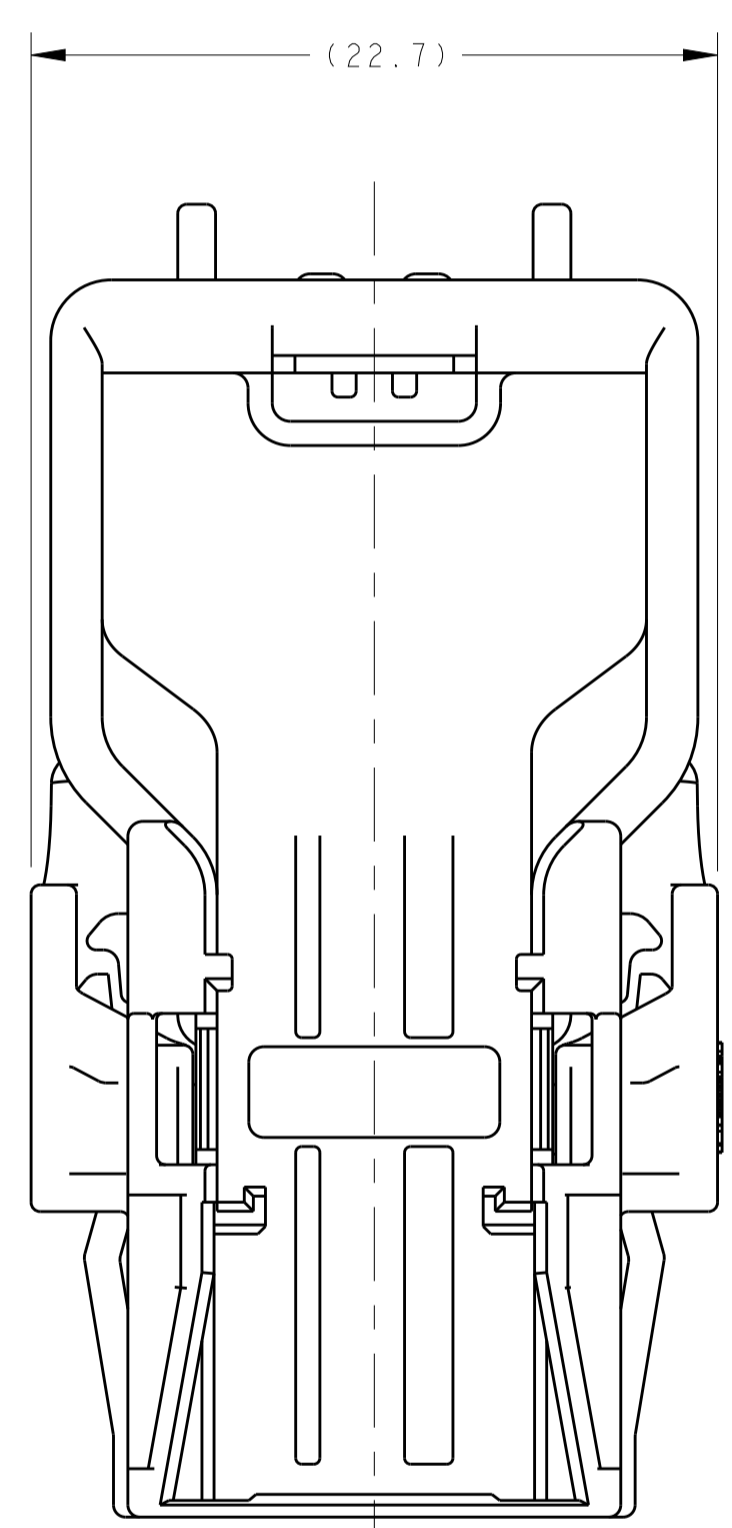


ISOMETRIC VIEWS
SCALE 2:1



△ MATERIAL: SHIELD HOUSING: NYLON 6/6, COLOR - SEE TABLE.
LEVER: NYLON 6/6, COLOR: GRAY.

2. SHIELD ASSEMBLY ACCEPTS ASSEMBLED TYCO ELECTRONICS CARRIER PART NUMBERS 1924340-1 & 1924341-1. 1924340-1 & 19243341-1 MUST BE ASSEMBLED TOGETHER BEFORE INSERTING INTO SHIELD ASSEMBLY.



LEVER IN MATED POSITION
SHOWN FOR REFERENCE ONLY
SCALE 1:1

STATUS	SHIELD HOUSING COLOR	WIRE EXIT	WIRE EXIT ANGLE	KEYING	KEYING OPTION	PART NUMBER
PRELIMINARY - NOT RELEASED FOR PRODUCTION	TBD			PER DETAIL AF	A-F	1-1924337-6
PRELIMINARY - NOT RELEASED FOR PRODUCTION	TBD			PER DETAIL CD	C-D	1-1924337-5
PRELIMINARY - NOT RELEASED FOR PRODUCTION	TBD			PER DETAIL BF	B-F	1-1924337-4
RELEASED	BLACK			PER DETAIL AE	A-E	1-1924337-3
PRELIMINARY - NOT RELEASED FOR PRODUCTION	TBD			PER DETAIL AF	A-F	1-1924337-2
PRELIMINARY - NOT RELEASED FOR PRODUCTION	TBD			PER DETAIL CD	C-D	1-1924337-1
PRELIMINARY - NOT RELEASED FOR PRODUCTION	TBD			PER DETAIL BF	B-F	1-1924337-0
PRELIMINARY - NOT RELEASED FOR PRODUCTION	TBD			PER DETAIL AE	A-E	1924337-9
PRELIMINARY - NOT RELEASED FOR PRODUCTION	TBD			PER DETAIL AF	A-F	1924337-8
PRELIMINARY - NOT RELEASED FOR PRODUCTION	TBD			PER DETAIL CD	C-D	1924337-7
PRELIMINARY - NOT RELEASED FOR PRODUCTION	TBD			PER DETAIL BF	B-F	1924337-6
PRELIMINARY - NOT RELEASED FOR PRODUCTION	TBD			PER DETAIL AE	A-E	1924337-5
PRELIMINARY - NOT RELEASED FOR PRODUCTION	TBD			PER DETAIL AF	A-F	1924337-4
RELEASED	BLUE			PER DETAIL CD	C-D	1924337-3
RELEASED	GRAY			PER DETAIL BF	B-F	1924337-2
RELEASED	BLACK			PER DETAIL AE	A-E	1924337-1

THIS DRAWING IS A CONTROLLED DOCUMENT.

DIMENSIONS: mm
 TOLERANCES UNLESS OTHERWISE SPECIFIED:
 0 PLC ±0.1
 1 PLC ±0.1
 2 PLC ±0.05
 3 PLC ±0.05
 4 PLC ±0.05
 ANGLES ±1°
 FINISH: -

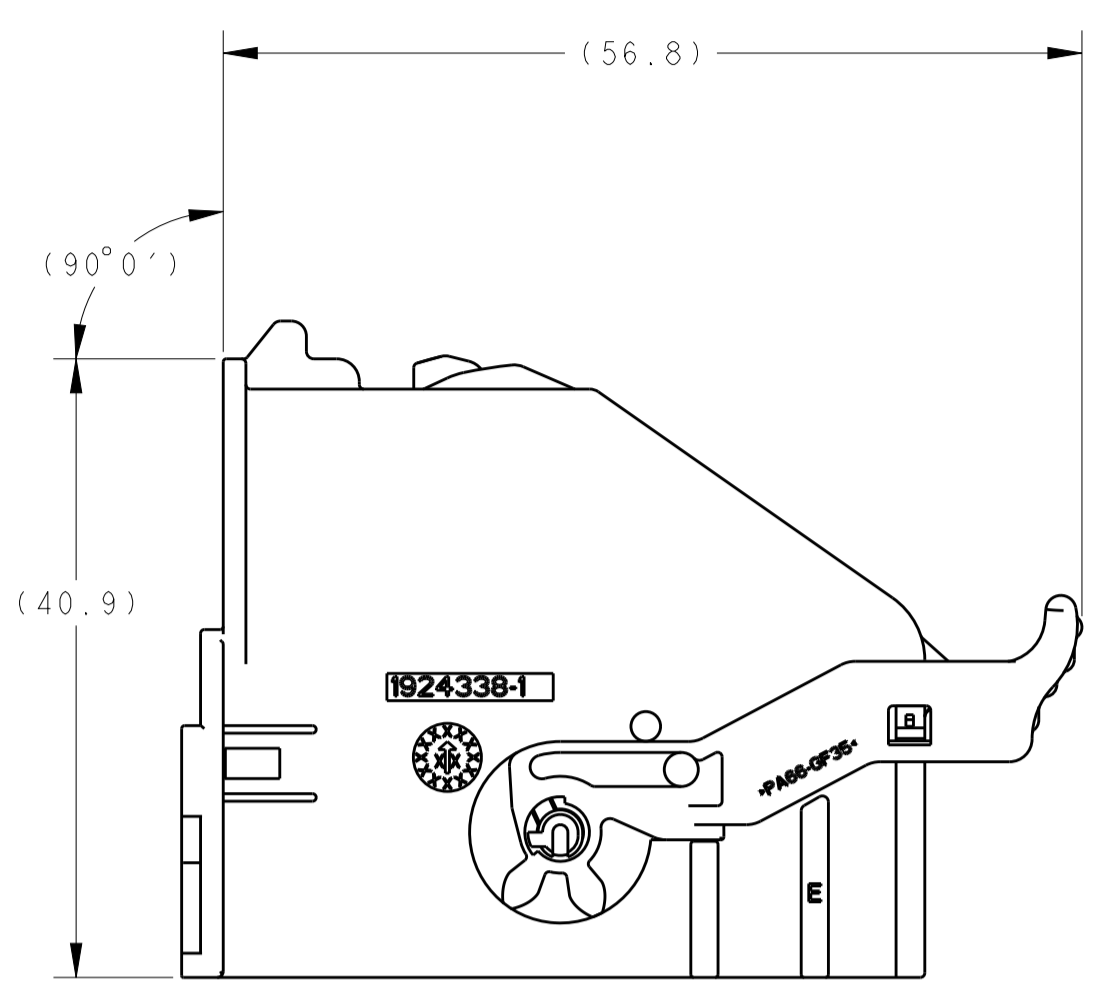
MATERIAL: △
 CUSTOMER DRAWING

DWN: H. FOLTZ 15FEB2007
 CHK: G. MARTIN 16FEB2007
 APP'D: G. MARTIN 16FEB2007

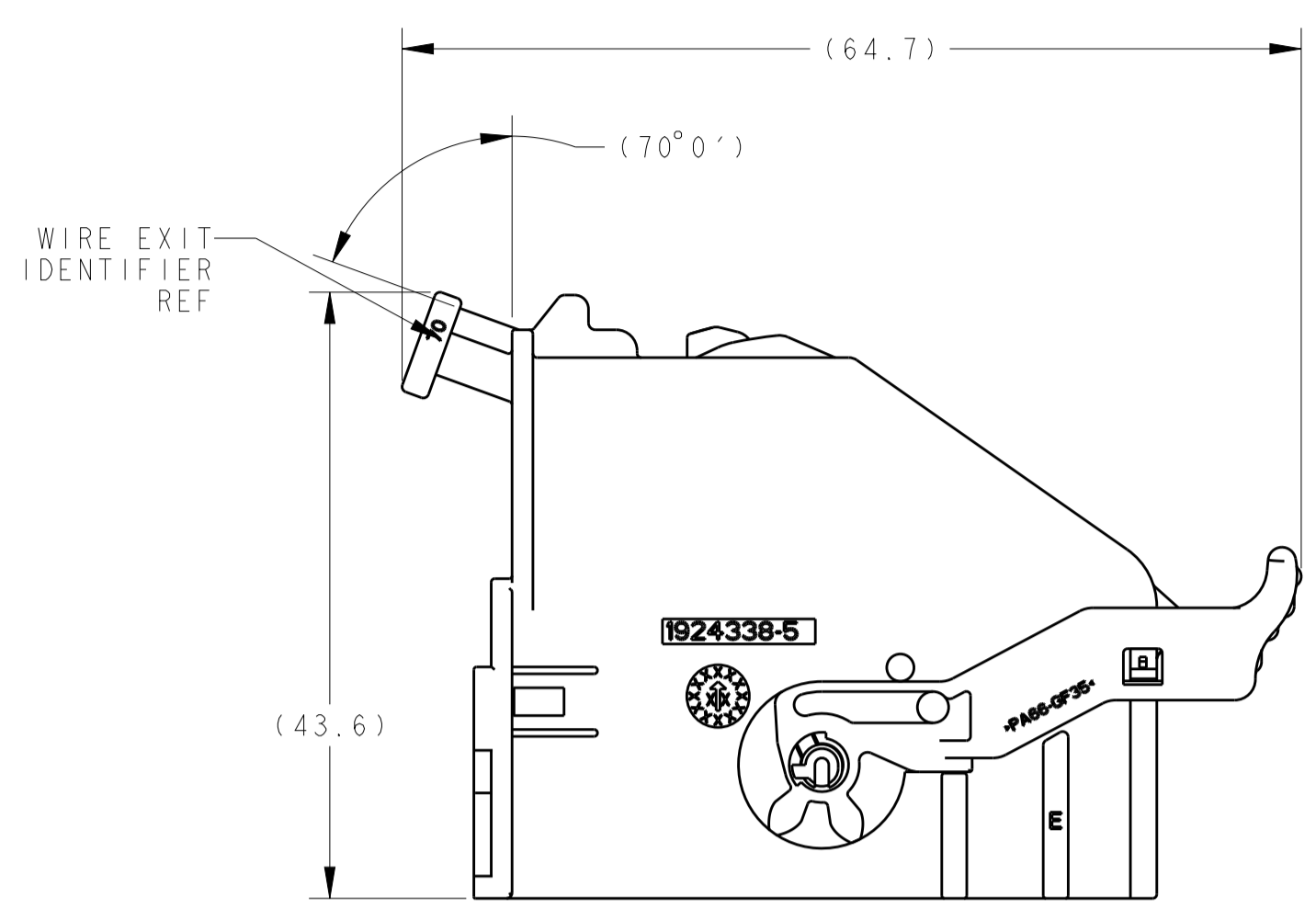
NAME: SHIELD ASSEMBLY, 54 POSITION, 0.64mm GENERATION Y, CONNECTOR
 SIZE: A1
 CAGE CODE: 100779
 DRAWING NO: 1924337
 SCALE: 1:1
 SHEET: 1 OF 2
 REV: A3

STC TE Connectivity

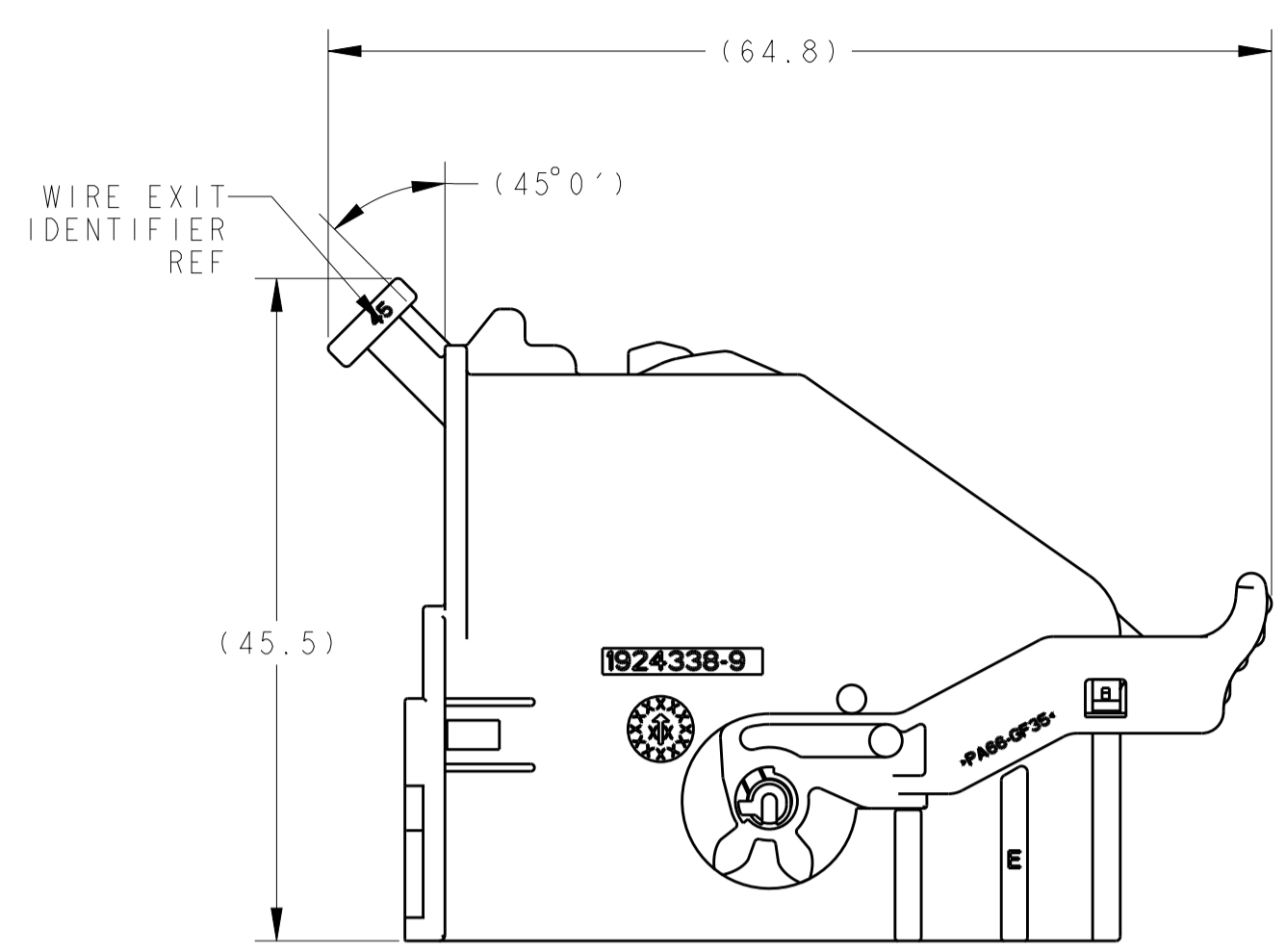
REVISIONS				
P.	LTN.	DESCRIPTION	DATE	OWN. / APVD.
-	-	SEE SHEET 1	-	-



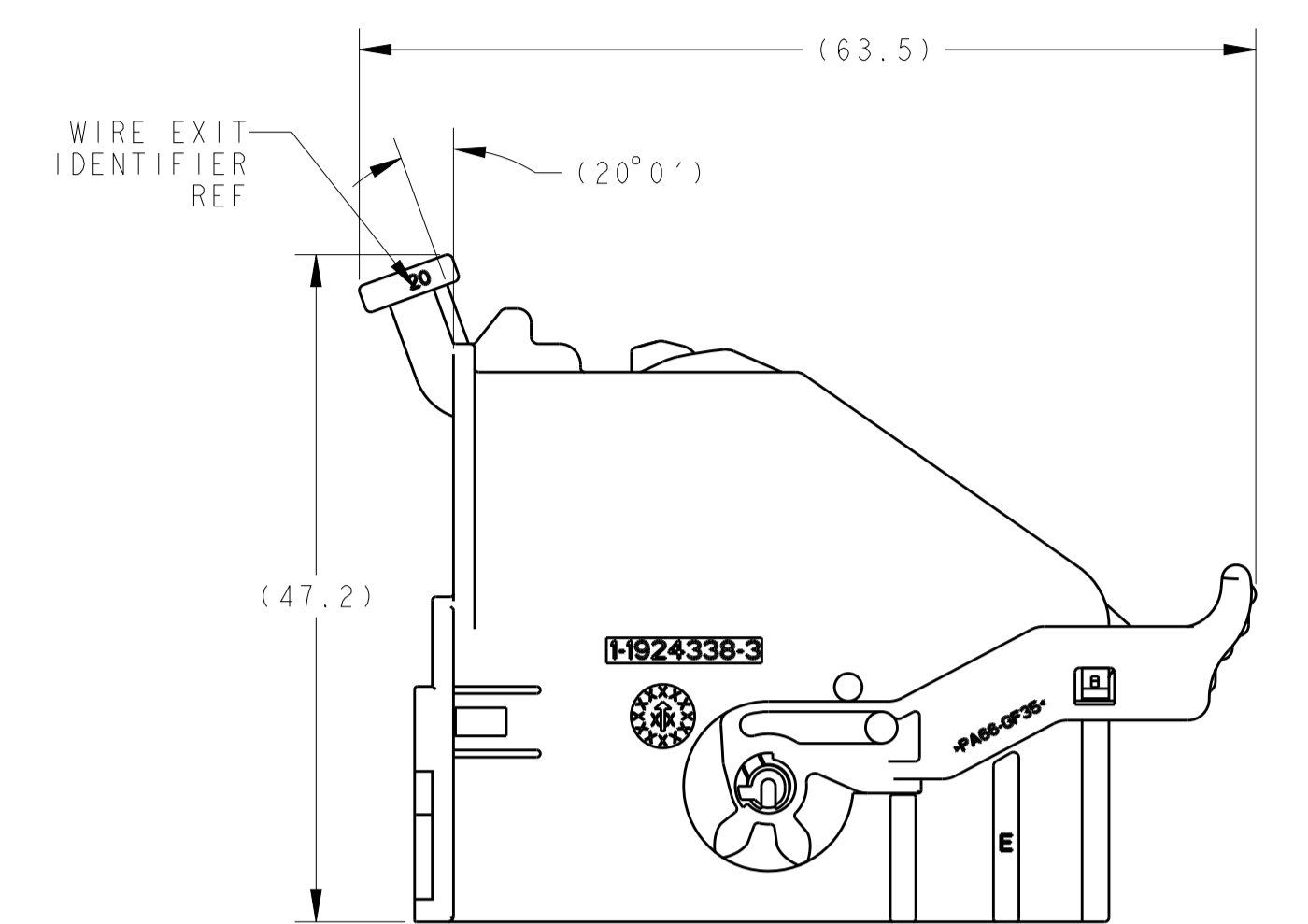
DETAIL W
SCALE 2:1



DETAIL X
SCALE 2:1

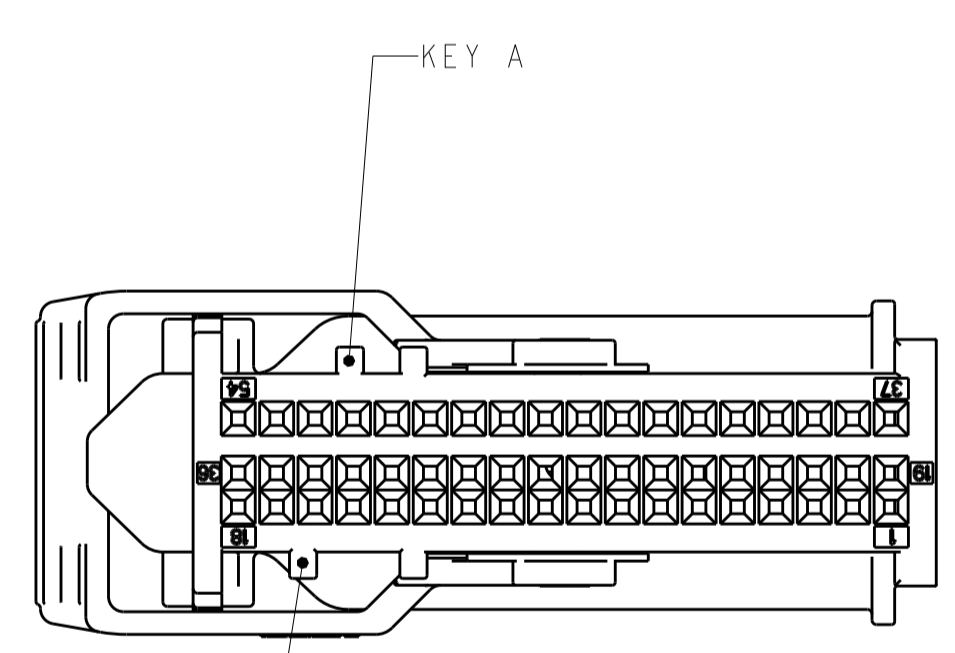


DETAIL Y
SCALE 2:1

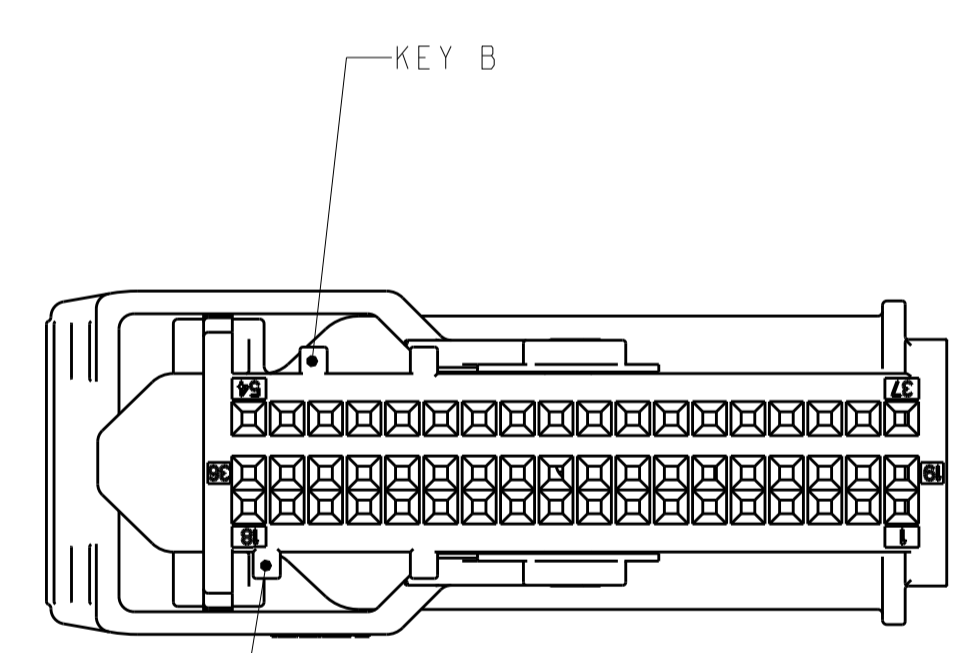


DETAIL Z
SCALE 2:1

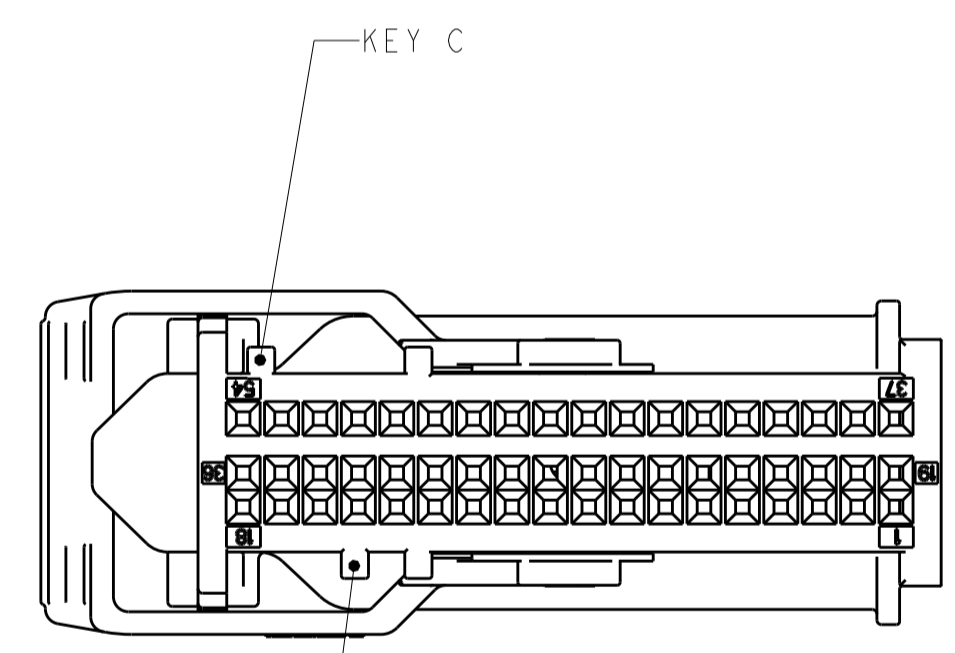
WIRE EXIT OPTIONS
FOR REFERENCE ONLY



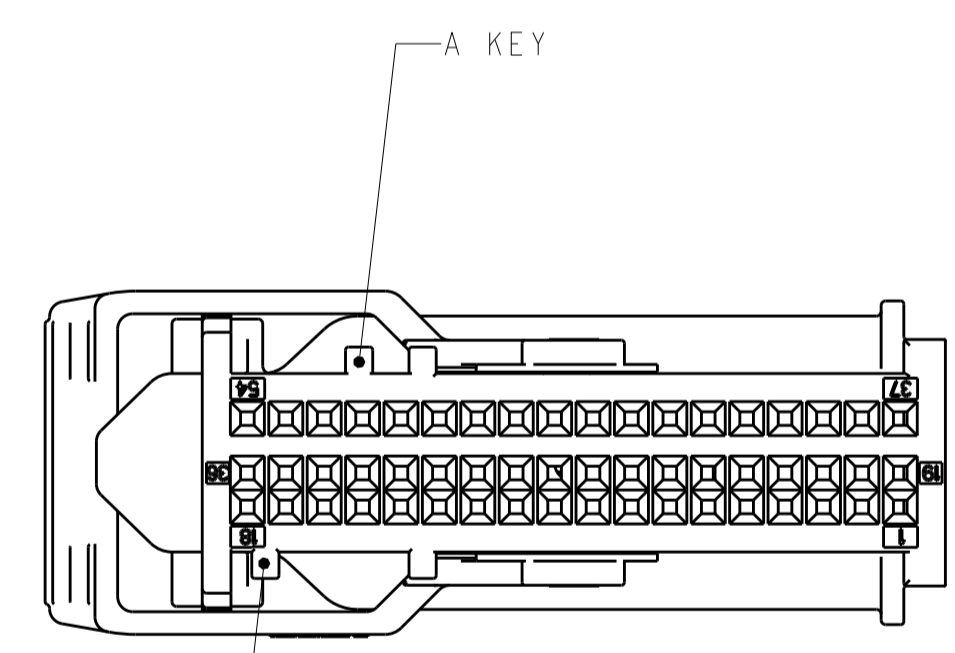
DETAIL AE
SCALE 2:1



DETAIL BF
SCALE 2:1



DETAIL CD
SCALE 2:1



DETAIL AF
SCALE 2:1

KEYING OPTIONS
FOR REFERENCE ONLY

THIS DRAWING IS A CONTROLLED DOCUMENT.		OWN. R. FOLTZ 15FEB2007	TE Connectivity
DIMENSIONS: mm		CHK. G. MARTIN 16FEB2007	
TOLERANCES UNLESS OTHERWISE SPECIFIED:		APVD. G. MARTIN 16FEB2007	NAME: SHIELD ASSEMBLY, 54 POSITION, 0.64mm GENERATION Y, CONNECTOR
0 PLC ±	1 PLC ±0.1	PRODUCT SPEC	SIZE: A100779
2 PLC ±0.05	3 PLC ±	APPLICATION SPEC	CAGE CODE: C=1924337
4 PLC ±	ANGLES ±1°	FINISH	RESTRICTED TO
MATERIAL	WEIGHT	CUSTOMER DRAWING	SCALE: 1:1 SHEET 2 OF 2 REV: A3