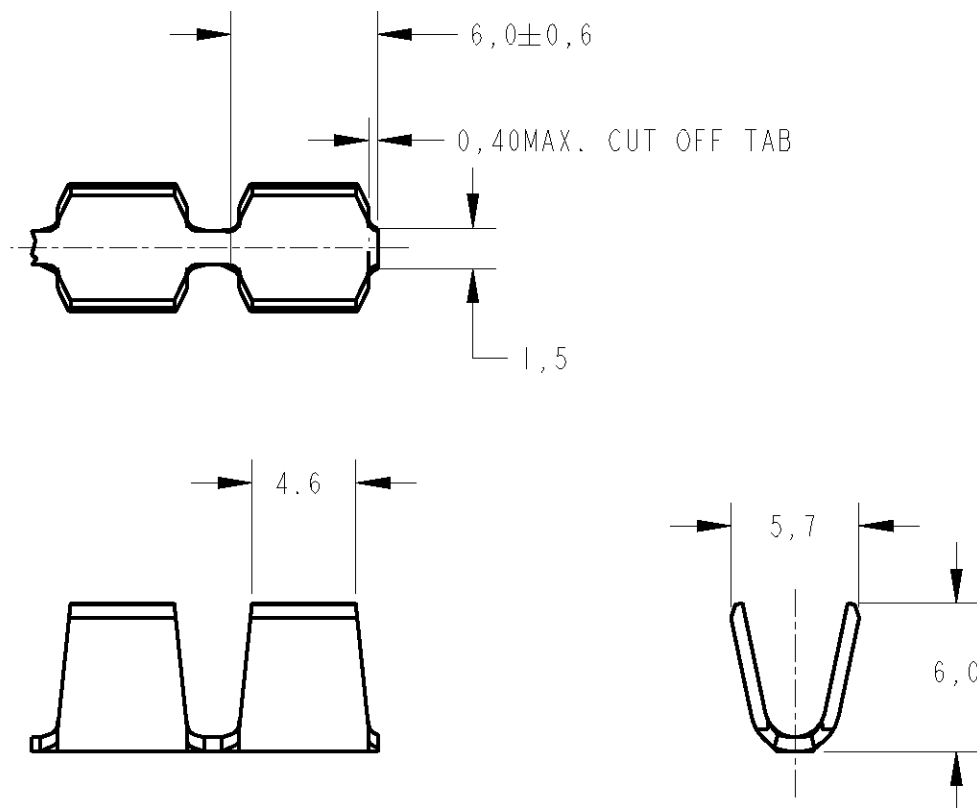


LOC AP	DIST -	REVISIONS			
P	LTR	DESCRIPTION	DATE	DWN	APVD
	B	REDRAW BY ECO-06-013605	09AUG2006	HC	WLS



RELEASED FOR PUBLICATION

THIS DRAWING IS UNPUBLISHED.

© COPYRIGHT BY TYCO ELECTRONICS CORPORATION. ALL RIGHTS RESERVED.

7000/12000CMA	TIN PLATED	BRASS	155353-2
	—	BRASS	155353-1
	FINISH	MATERIAL	PART NUMBER

DIMENSIONS: mm	DWN H.C. Canteri	09August2006	MATERIAL	-	FINISH	-
	CHK W.L. STEFANI	09August2006	Tyco Electronics - Ltda São Paulo - Brasil			
TOLERANCES UNLESS OTHERWISE SPECIFIED:	APVD	-	NAME Splice			
	PRODUCT SPEC	-	SIZE	A4	CAGE CODE	-
0 PLC ± -	APPLICATION SPEC	-	DRAWING NO	C= 155353		RESTRICTED TO
1 PLC ± 0,3	WEIGHT	-	CUSTOMER DRAWING		SCALE	5/1
2 PLC ± -			SHEET		1	OF
3 PLC ± -			REV		B	
4 PLC ± -						
ANGLES ± -						

