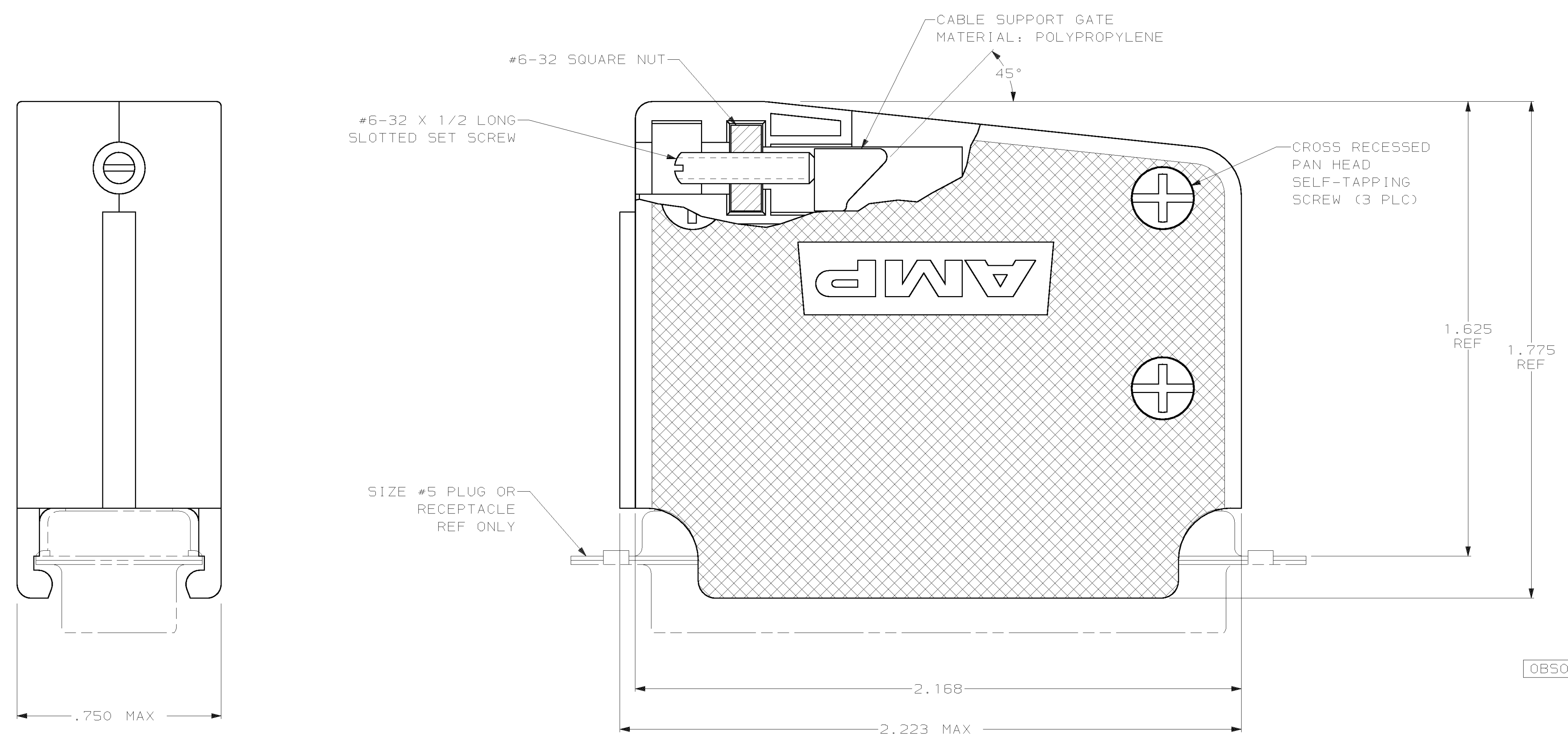
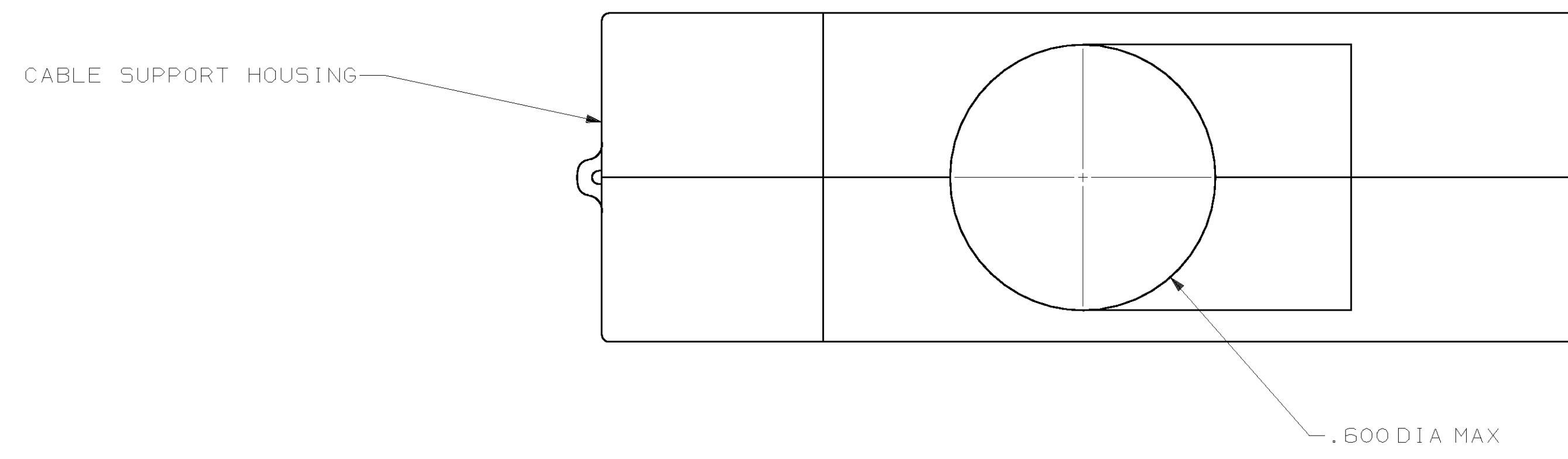


LOC		DIST		REVISIONS				
GP	00	P	F	ZONE	LTR	DESCRIPTION	DATE	APPD
					P	REDRAWN ON CAD	5-1-90	-
					R	REV PER EC 0020-782-95	06 DEC 95	CS
					S	REV PER EC 0320-124-97	11 APR 97	DM
					T	REV PER EC 001D-0247-00	15 JAN 02	JR



- 1. PARTS PACKAGED UNASSEMBLED.
- 2. COMPONENTS INDIVIDUALLY BULK PACKED & SHIPPED AS A UNIT PACKAGE KIT.

OBSOLETE	COMBINATION DRIVE	AS SHOWN	205732-3
	COMBINATION DRIVE	AS SHOWN	205732-1
	SCREW VERSION	PACKAGING	PART NUMBER

DO NOT SCALE PRINT. UNLESS SPECIFIED DIMENSIONS IN INCHES TOLERANCES - ON : 2 PLC DEC ± .005 3 PLC DEC ± .005 ANGLES ± -	DR 5/1/90 J.GALLUCCI B6 CHK 6/15/90 W.G.LENKER APPD 7/10/90 J.E.WESTMAN	AMP INCORPORATED Harrisburg, Pa. 17105 NAME SELF TAPPED 45° /180° CABLE SUPPORT CLAMSHELL, SIZE #5 ASSEMBLY, AMPLIMIT™ HD-20
MATERIAL MOLDED PARTS: POLYPROPYLENE, BLACK HARDWARE: COLD ROLLED STEEL PER ASTM A108	APPD 07/16/90 J.ASSINI PRODUCT SPEC -	
FINISH HARDWARE: ZINC PLATED PER ASTM B633, TYPE II, CLASS 5C1	APPLICATION SPEC - WEIGHT -	SIZE D FSCM NO 00779 DRAWING NO 205732 SCALE 4:1 SHEET 1 OF 1