

NOTES:

1. MATERIALS AND FINISHES:

CONTACT - BRASS - GOLD PLATED
 BODY - BRASS - GOLD PLATED
 SLEEVE - BRASS - WHITE BRONZE PLATED
 OUTER CONTACT - PHOSPHOR BRONZE - WHITE BRONZE PLATED
 CAP - STAINLESS STEEL - GOLD PLATED
 INSULATOR - PTFE

2. PHYSICAL:

A. OPERATING TEMPERATURE = -65°C to +165°C
 B. CONTACT RETENTION = 6.0 LBS. AXIAL

3. ELECTRICAL:

A. FREQUENCY RANGE = DC to 6 GHz
 B. VSWR = 1.05 : 1 MAX. DC-3GHz
 = 1.12 : 1 MAX. 3-6GHz
 C. POWER HANDLING: 150 W (CONTINUOUS) @ 2.2 GHz AND 75°C MAX
 AMBIENT TEMPERATURE HELD ON TEMPERATURE
 CONTROLLED HEAT SINK
 400 W (PEAK)

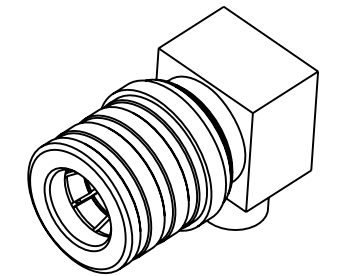
4. CABLE ASSEMBLY INSTRUCTIONS PER:

A. TRIM CABLE AS SHOWN
 B. INSERT CABLE INTO R/A ENTRY
 C. SOLDER OUTER CONDUCTOR TO BODY
 D. SOLDER CENTER CONDUCTOR TO CONTACT THROUGH ACCESS HOLE
 E. DEPRESS EXPANSION CAP IN ACCESS HOLE
 D. APPLY HEAT SHRINK AS REQUIRED

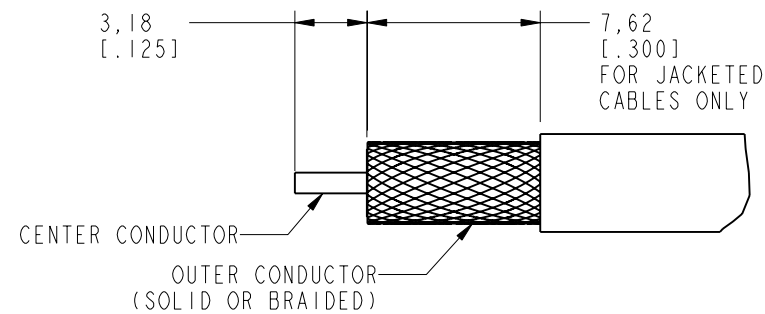
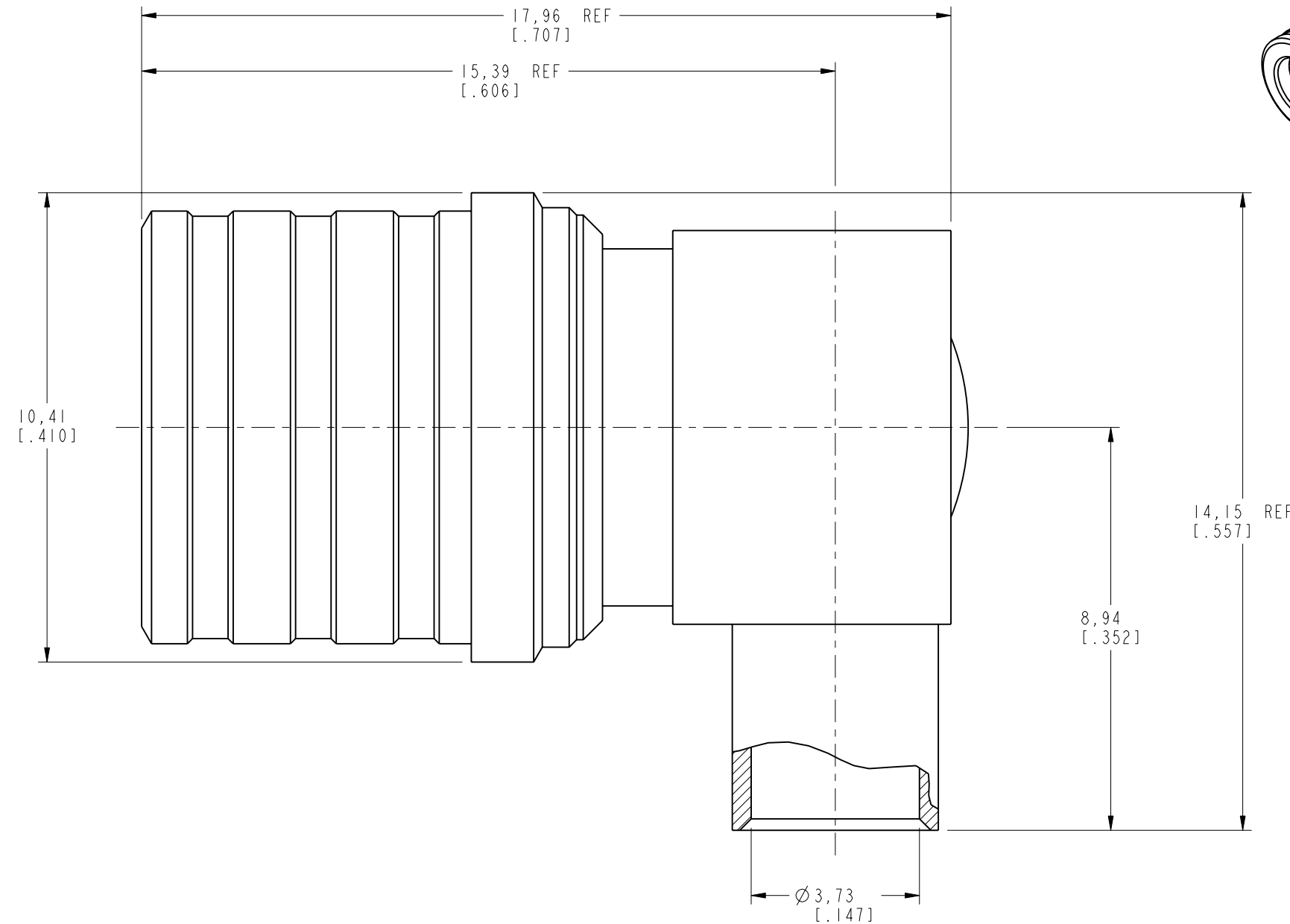
THIRD ANGLE PROJ.

REVISIONS

| REV | DESCRIPTION | DATE | ECO | APPR |
|-----|--|-----------|-------|------|
| A | RELEASE TO MFG | 2/7/03 | 44361 | |
| E | CHANGE CAP'S PLATING RD-DM11070501R3 | 20-Jul-11 | | SH |
| F | SYNCH THE DRAWING WITH DANBURY RD-DM11072701R3 | 29-Jul-11 | 48697 | SH |



SCALE 2.000



RECOMMENDED CABLE TRIM DIMENSIONS
 SEMI-RIGID AND FLEX ALTERNATIVE
 SCALE 3.000

CUSTOMER OUTLINE DRAWING

ALL OTHER SHEETS ARE FOR INTERNAL USE ONLY

| | | | | | |
|---|---|---------------------------------|-------------------|---|---------------------------------------|
| UNLESS OTHERWISE SPECIFIED, DIMENSIONS ARE IN METRIC AND TOLERANCES ARE: <0.5mm ±0.05mm 0.5 - 6mm ±0.1mm 6 - 30mm ±0.2mm 30 - 120mm ±0.3mm ANGLES ±1° NOTICE - These drawings, specifications, or other data (1) are, and remain the property of Amphenol corp. (2) must be returned upon request; and (3) are confidential and not to be disclosed to any person other than those to whom they are given by Amphenol Corp. the furnishing of these drawings, specifications, or other data by Amphenol Corp., or to any other person to anyone for any purpose is not to be regarded by implication or otherwise in any manner licensing, granting rights to permitting such holder or any other person to manufacture, use or sell any product, process or design, patented or otherwise, that may in any way be related to or disclosed by said drawings, specifications, or other data. | MATERIAL | DRAWN R. MAO | DATE 29-Jul-11 | TITLE QMA 50 OHM R/A PLUG FOR .141 SEMI-RIGID RG-402 TYPE CABLE SCALE: 8.0:1.0 SHEET 2 OF 2 | Amphenol RF www.amphenolrf.com |
| | REFERENCE EAR# 554 GEN# ASSYM24.SMA | ENGINEER G. ANTONINI | DATE 5-Mar-02 | | |
| | FINISH | APPROVED S. HSIEH | DATE 29-Jul-11 | ITEM NO. 930-103P-51A | |
| | | CAD FILE I:\SMA\930-103P-51A | | PART NO. 930-103P-51A | |