

SAFETY ORGANIZATIONS

THIS FILTER HAS BEEN FORMALLY RECOGNIZED, CERTIFIED OR APPROVED BY THE LISTED AGENCY. THEREFORE, ALL TEST/REQUIREMENTS SPECIFIED IN THE LATEST REVISION OF THE FOLLOWING AGENCY STANDARDS HAVE BEEN MET:

UL RECOGNIZED ULI283
 CSA CERTIFIED CSA 22.2, NO.0,0.4,8
 VDE APPROVED VDE 565-3,625

LINE VOLTAGE/CURRENT: 5 AMP, 120/250 VAC
 4 AMP/40°C, 250 VAC
 4 AMP./40

LINE FREQUENCY: 50-60Hz

OPERATING SPECIFICATIONS

MAXIMUM LEAKAGE CURRENT, EACH: .25 mA AT 120V 60Hz
 LINE TO GROUND: .42 mA AT 250V 50Hz

OPERATING AMBIENT TEMP. RANGE: -10°C TO +40°C @ RATED CURRENT, I_r

IN AN AMBIENT, T_o , HIGHER THAN 40°C, THE MAXIMUM OPERATING CURRENT, I_o , IS AS FOLLOWS:

$$I_o = I_r \sqrt{\frac{85 - T_o}{45}}$$

RELIABILITY SPECIFICATIONS:

STORAGE TEMPERATURE: -40°C TO +85°C
 HUMIDITY: 21 DAYS @ 40°C 95% RH.
 CURRENT OVERLOAD TEST: 6 TIMES RATED CURRENT FOR 8 SECONDS.

TEST SPECIFICATIONS:

INDUCTANCE: .93mH NOMINAL
 CAPACITANCE: (MEASURED @ 1KHz, 0.250VAC MAX., 25°C±1°C)
 LINE TO GROUND: .01µF ±20%
 LINE TO LINE: .005µF ±20%
 DISCHARGE RESISTOR: 1.5 Ω

LINE/GROUND AND LINE/LINE: 6000M (MIN.) AT 100VDC
 INSULATION RESISTANCE: 20°C AND 50% RH.

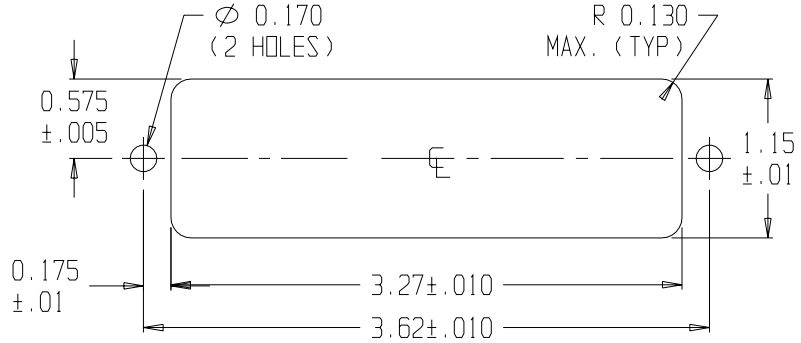
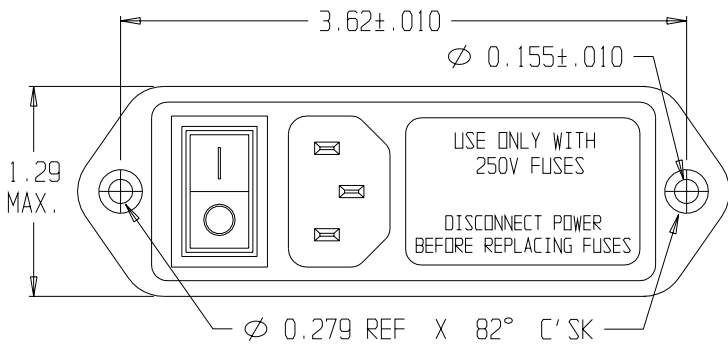
RECOMMENDED RECEIVING INSPECTION HIPOT:

LINE TO GROUND: 1500 VAC FOR 1 MINUTE
 LINE TO LINE: 1450 VDC FOR 1 MINUTE

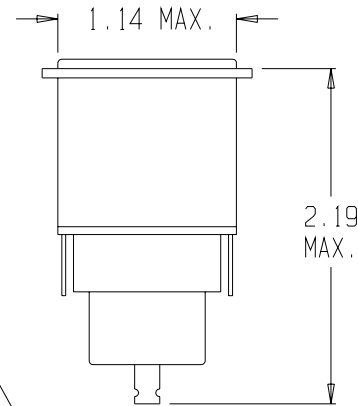
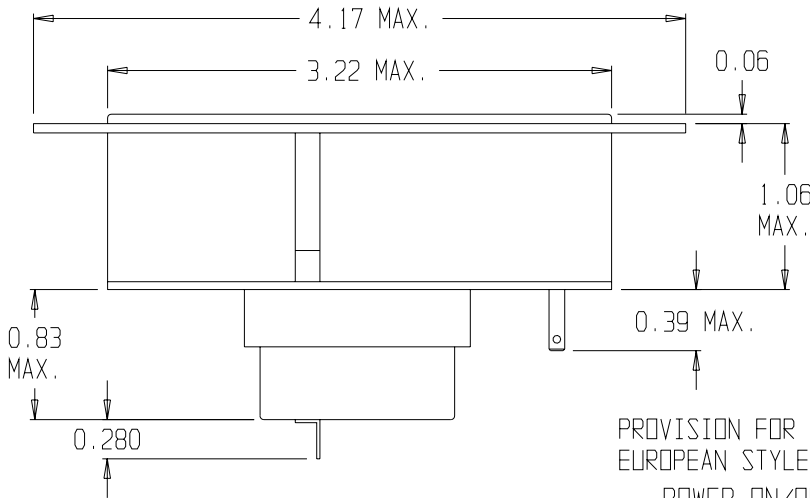
FILTER APPROVAL:

THE BEST WAY TO SELECT AND QUALIFY A FILTER IS FOR YOUR ENGINEERING TO TEST THE UNIT IN YOUR EQUIPMENT.

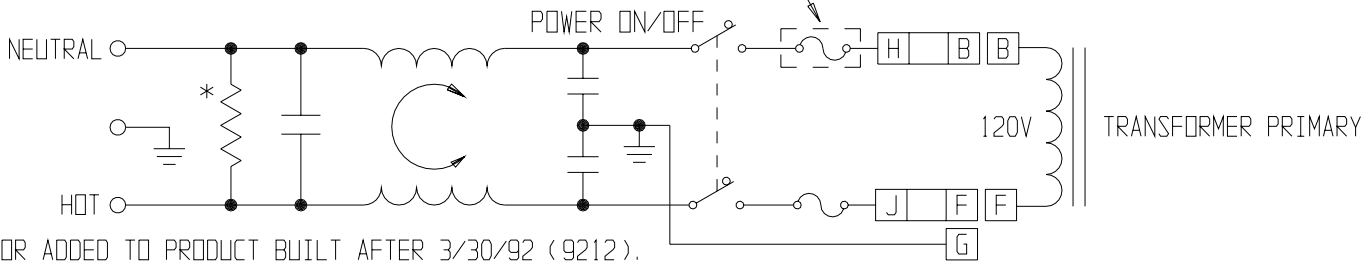
ECN #	DATE
/	



RECOMMENDED PANEL CUTOUT



PROVISION FOR DUAL EUROPEAN STYLE FUSING



* RESISTOR ADDED TO PRODUCT BUILT AFTER 3/30/92 (9212).

50Ω - 50Ω (MINIMUM) INSERTION LOSS										
FREQUENCY MHz	.15	.50	1.0	2.0	5.0	10	20	30		
COMMON dB	14	21	26	33	40	45	50	40		
DIFF. dB										

THIRD ANGLE PROJECTION

UNLESS OTHERWISE SPECIFIED, TOLERANCE TO BE ±.025 MATERIAL & FINISH: AS SUPPLIED

This document is proprietary to CORCOM INC. and is not to be reproduced nor used for manufacturing purposes except on CORCOM'S prior written consent.

844 E. ROCKLAND RD. LIBERTYVILLE IL 60048

POWER LINE FILTER

CAD FILE: C:\CK\CON5EFM1S07
 SCALE: NTS DATE: 7/9/96 CATALOG NO.
 DRW. BY: JF ORIG: KAW

5EFM1S 07