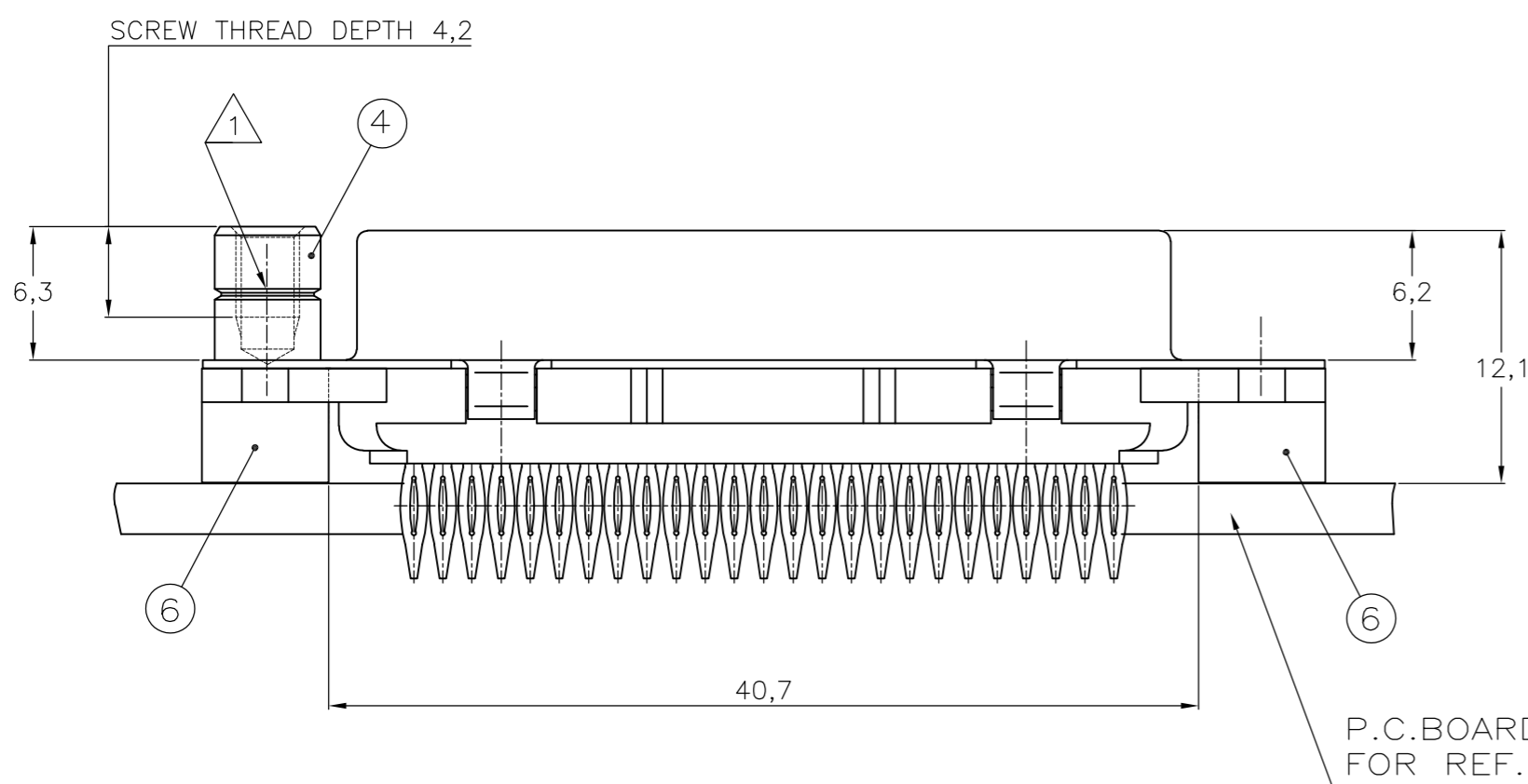
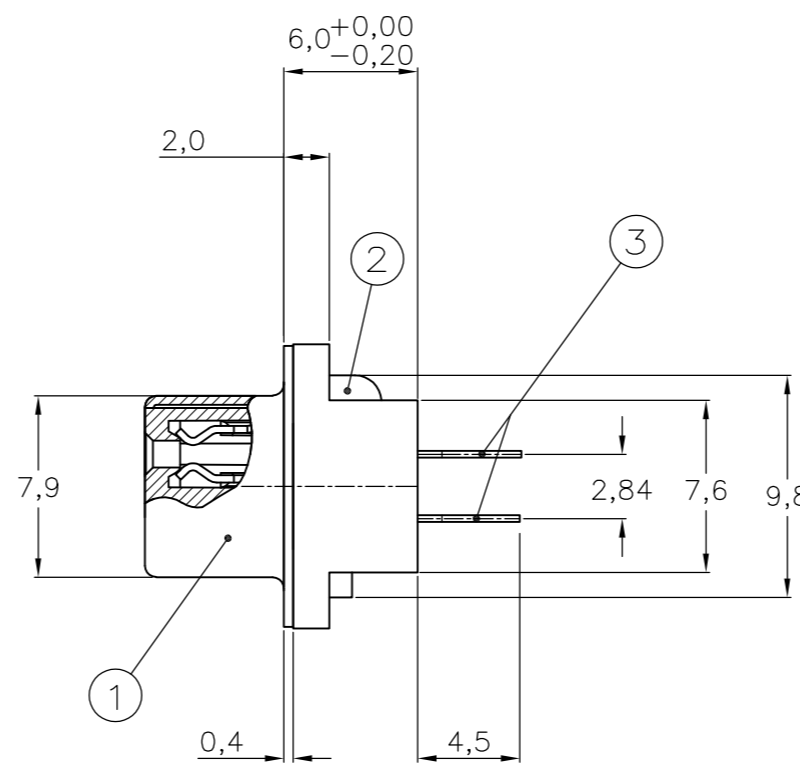
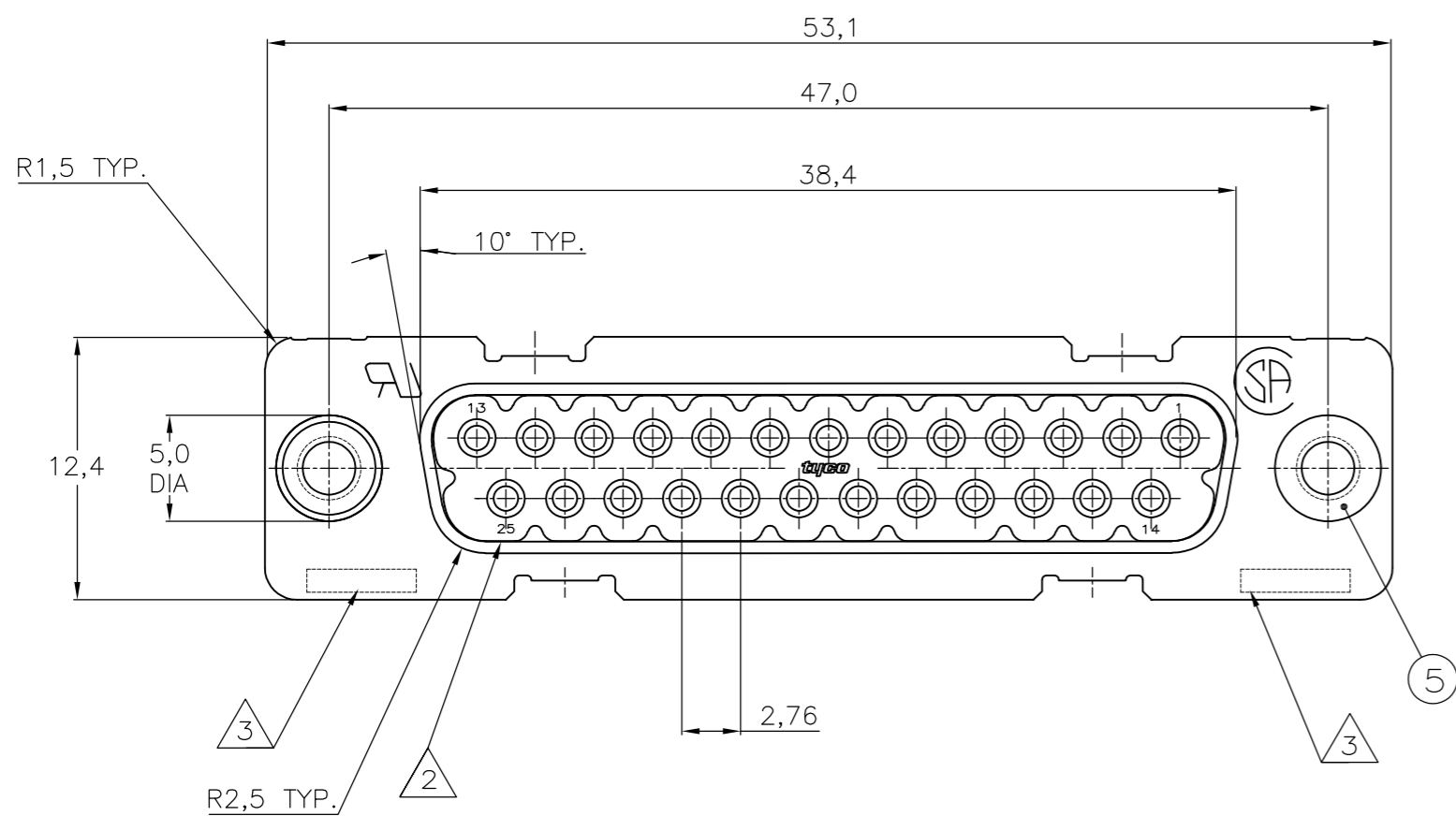


THIS DRAWING IS UNPUBLISHED. RELEASED FOR PUBLICATION
 © COPYRIGHT BY TYCO ELECTRONICS CORPORATION. ALL RIGHTS RESERVED.

LOC	DIST	REVISIONS					
		P	LTR	DESCRIPTION	DATE	DWN	APVD
H	-		H	ECR-06-011915	22-05-06	BSV	DC
			J	ECR-06-016624	18-10-06	BSV	MK
			J1	REVISED PER ECO-10-000445	03FEB10	KK	HMR

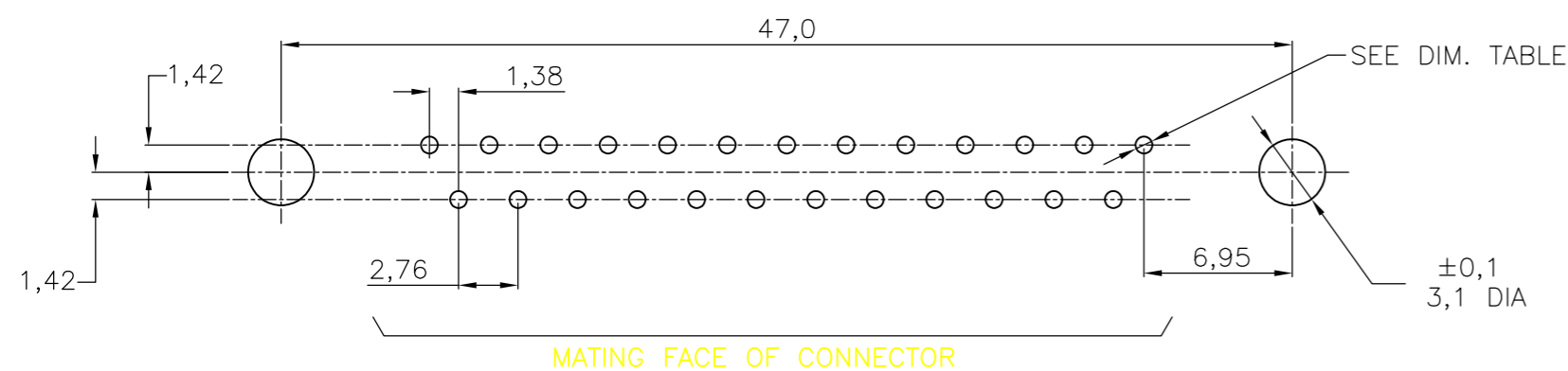


P.C.B. HOLE DIM. FOR CONTACTS

DRILLED HOLE	: 1,15±0,025	mm
FIN. HOLE	: 0,94 to 1,09	mm
AFTER REFLOW	: 0,91 to 1,09	mm
Cu-thks	: 0,025 to 0,075	mm
SnPb-thks	: 0,004 to 0,010	mm

△ OBSOLETE PARTS: OBSOLETE CIS STREAMLINING PER D.RENAUD/D.SINISI

RECOMMENDED P.C. BOARD HOLE-LAYOUT



ACCESSORIES PREFIX "Z"	ITEM NO	DESCRIPTION OF ACCESSORY	2	2	2	2	2
5	BUSHING WITH THROUGH HOLE 3,1 DIA.						
5	BUSHING WITH THREAD 4-40 UNC						
5	BUSHING WITH THREAD M3						
4	FEMALE SCREWLOCK WITH 4-40 UNC						
4	FEMALE SCREWLOCK WITH M3						

HOW TO ORDER:
 25POS.-----> Z-338212-Y
 PREFIX FOR ACCESSORIES }
 BASIC PARTNR. }
 SUFFIX FOR PLATING }
 0-XXXXXX-Y
 1-XXXXXX-Y
 2-XXXXXX-Y
 3-XXXXXX-Y
 4-XXXXXX-Y

PLATING SUFFIX "Y"
 GOLD OVER NICKEL AS PER PERFORMANCE LEVEL 2 (DIN 41652)
 PRESS-FIT PART: TIN-PLATING 3µm } -Y = -2

NOTES :
 △ GROOVE INDICATES VERSION WITH 4-40 UNC INNER THREAD; WITHOUT GROOVE INDICATES VERSION WITH M3 INNER THREAD.
 △ CAVITY IDENTIFICATION AT FRONT SIDE ONLY.
 △ PARTNUMBER AND DATE CODE.
 4 CONNECTOR CAN BE USED FOR PCB THICKNESS OF 1,6 mm MINIMUM AND THICKER.
 5 AIR AND CREEPAGE DISTANCES ACCORDING TO DIN 41652.

- ITEM NRS./MATERIAL :
- ① SHELL = BRIGHT TINPLATED STEEL
 - ② HOUSING = GLASSFILLED POLYESTER, COLOR : BLACK
 - ③ CONTACTS = PHOSPHORBRONZE (PLATING : SEE TABLE ABOVE)
 - ④ FEMALE SCREWLOCK = TINPLATED STEEL (INNER THREAD 4-40 UNC OR M3)
 - ⑤ BUSHING = TINPLATED STEEL (INNER THREAD 4-40 UNC OR M3 OR 3,1 DIA. THROUGH HOLE)
 - ⑥ STAND OFF = MAT: ULTRAMID V0 COLOR BLACK.

THIS DRAWING IS A CONTROLLED DOCUMENT.		DWN 25JAN99 D. KESSLER	Tyco Electronics Corporation 's-Hertogenbosch, Netherlands	
DIMENSIONS: MM	TOLERANCES UNLESS OTHERWISE SPECIFIED:	CHK W.SOOMERS	NAME	
0 PLC ± -	1 PLC ± -	APVD -	PRODUCT SPEC	
2 PLC ± -	3 PLC ± -	-	APPLICATION SPEC	
4 PLC ± -	ANGLES ± -	WEIGHT -	SIZE A2	CAGE CODE 00779
MATERIAL -	FINISH -	CUSTOMER DRAWING	DRAWING NO C=338212	RESTRICTED TO -
			SCALE -	SHEET 1 of 1
			REV J1	