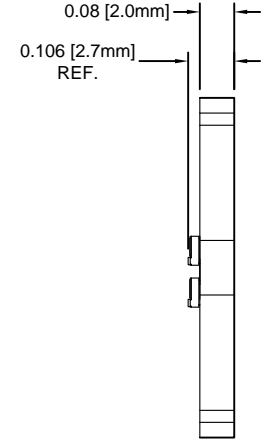
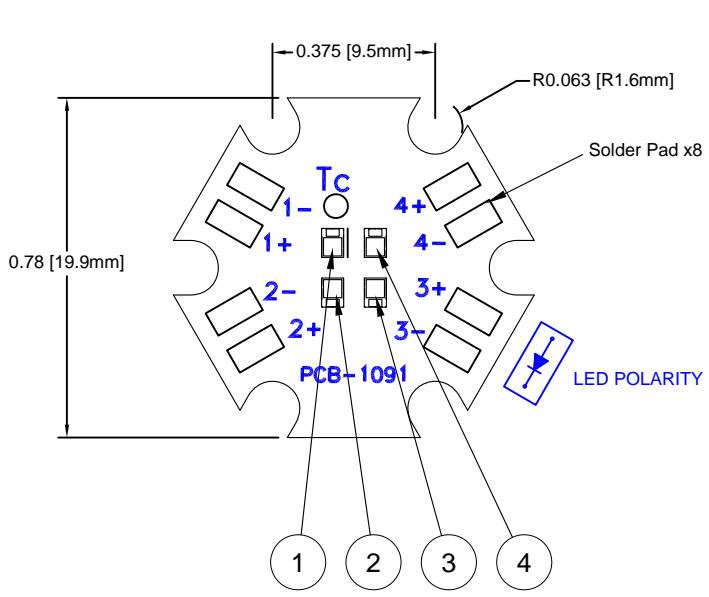


REV.	DESCRIPTION	DATE	APPROVED
F	Corrected Board Thickness	04/01/14	J. C.
G	Engineering Release	04/01/14	J. C.
H	Removed BOM	08/09/16	J. C.



Part Number	LED Location	Anode	Cathode	LED P/N	Color	Wavelength (nm) / CCT (K)	Typical Luminous Flux (lm)	Philips Lumileds P/N Reference
L24-ZRGBW	1	1+	1-	BDL-1514	Red	627	40	LXZ1-PD01
	2	2+	2-	BDL-1515	Green	530	72	LXZ1-PM01
	3	3+	3-	BDL-1516	Blue	470	24	LXZ1-PB01
	4	4+	4-	BDL-1511	Neutral White	4000	120	LXZ1-4070

STANDARD TOLERANCE (UNLESS OTHERWISE SPECIFIED)		 4 THOMAS, IRVINE, CA. 92618 TEL: (949) 951-8808 FAX: (949) 951-3974	
DECIMALS	ANGULAR		
.X ± .1	X° ± 1°	 TITLE: L24 Starboard Light Engine	
.XX ± .02			
.XXX ± .010		PART NO: L24-ZRGBW	
DESIGNED: B. Oliver	DATE: 11/07/13	REVISION: H	
CHECKED: J. Chiang	DATE: 11/07/13	CAGE CODE : 32559 SHEET # 1 OF 1	
CAD GENERATED DOCUMENT. DO NOT MEASURE DRAWING.			