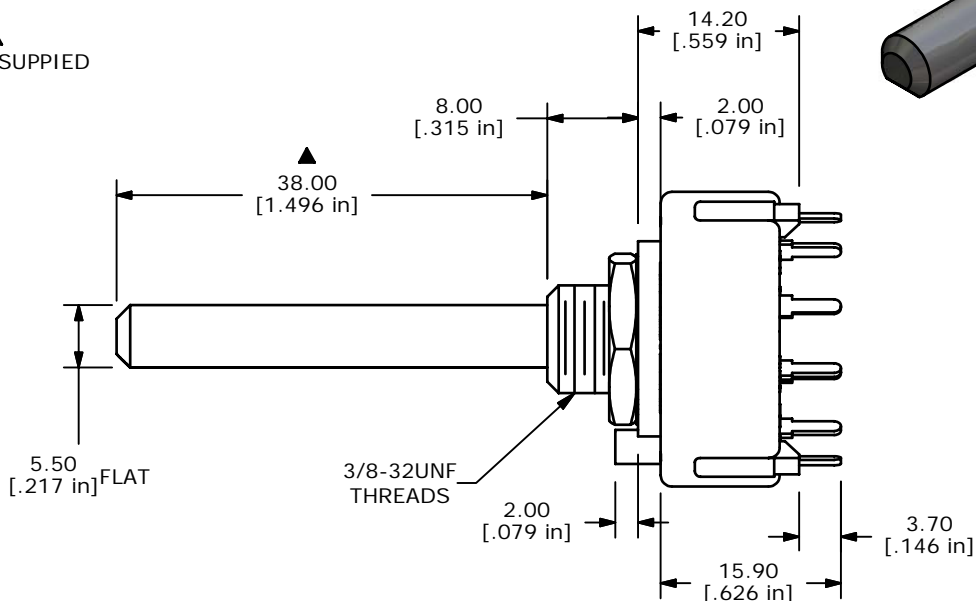
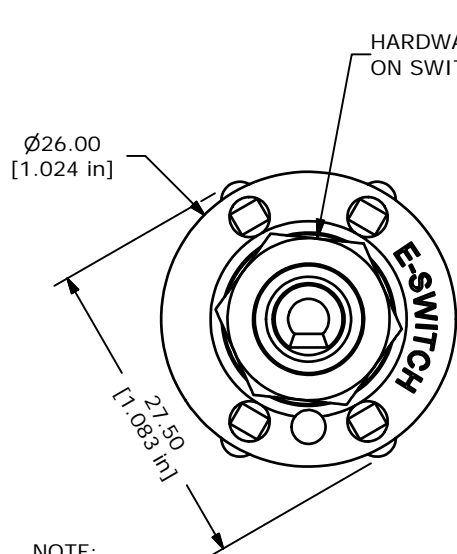
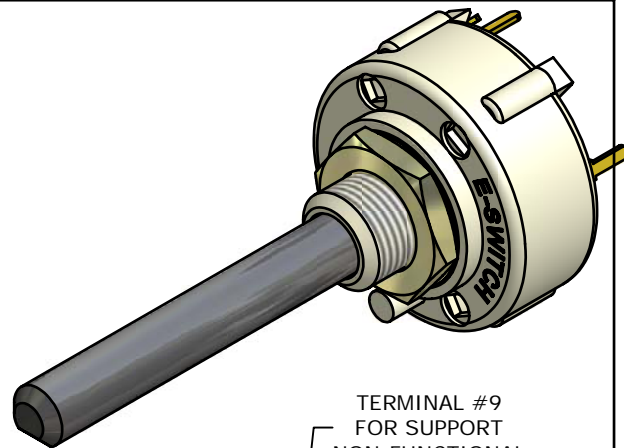
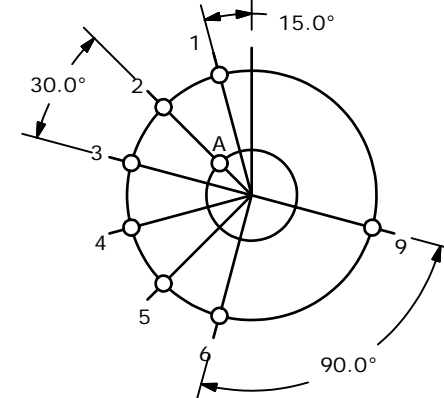
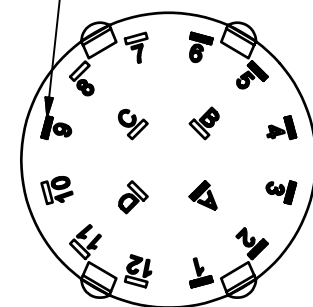


CONTACT CONFIGURATION
TIMING (BBM) NON-SHORTING



TERMINAL #9
FOR SUPPORT
NON-FUNCTIONAL



- NOTE:
1. ALL DIMENSIONS IN MM[INCH].
 2. GENERAL TOLERANCE: X.X=±0.4
X.XX=±0.25
 3. TERM. NOS. FOR REFERENCE ONLY.
 4. CONTACT MATERIAL: SILVER ALLOY
 5. CONTACT RATING: 0.3A @125 VAC
 6. OPERATING FORCE: 800± 300gm-cm
 7. OPERATING TEMP: -30°C TO 85°C
 - ▲ 8. CIRCUIT SP: 6 POSITION 30° INDEX.
 9. DIELECTRIC STRENGTH: 500VAC FOR 1 MIN
 - ▲ 10. HARDWARE SUPPLIED ON SWITCH:
LOCKWASHER, HEXNUT, STOP RING
 11. 2002/95/EC (ROHS) COMPLIANT
 12. PACKAGING: 1,000PCS PER CARTON
 13. ▲ DENOTES CRITICAL PARAMETER.

E-SWITCH®

B	15455	ADDED PACKAGING INFORMATION	10/26/05	PH
A	15417	RELEASED FOR PRODUCTION	10/24/05	PH
REV	PCR NO	DESCRIPTION	DATE	BY

TITLE KC16A38.001NPS				
SCALE	DATE	DR	DWG	REV
1.5:1	10/24/2005	PH	G510732	B

THE INFORMATION CONTAINED IN THIS DOCUMENT IS PROPRIETARY TO E-SWITCH AND IS NOT TO BE COPIED OR TRANSFERRED