

NOTES:

1. MATERIAL AND FINISHES:

- SOLDER TAG - BRASS, NICKEL PLATING
- HEX NUT - BRASS, NICKEL PLATING
- LOCK WASHER - BRASS, NICKEL PLATING
- RING - DELRIN, NATURAL
- RETAINER RING - BRASS, NICKEL PLATING
- GASKET - RUBBER, RED
- BODY - BRASS, NICKEL PLATING
- CONTACT - BRASS, GOLD PLATING
- INSULATORS - PTFE & DELRIN, NATURAL

2. ELECTRICAL:

- A. IMPEDANCE: 50 OHM
- B. FREQUENCY RANGE: DC 0-11 GHz
- C. D.W.V: 1500 VRMS, MIN.

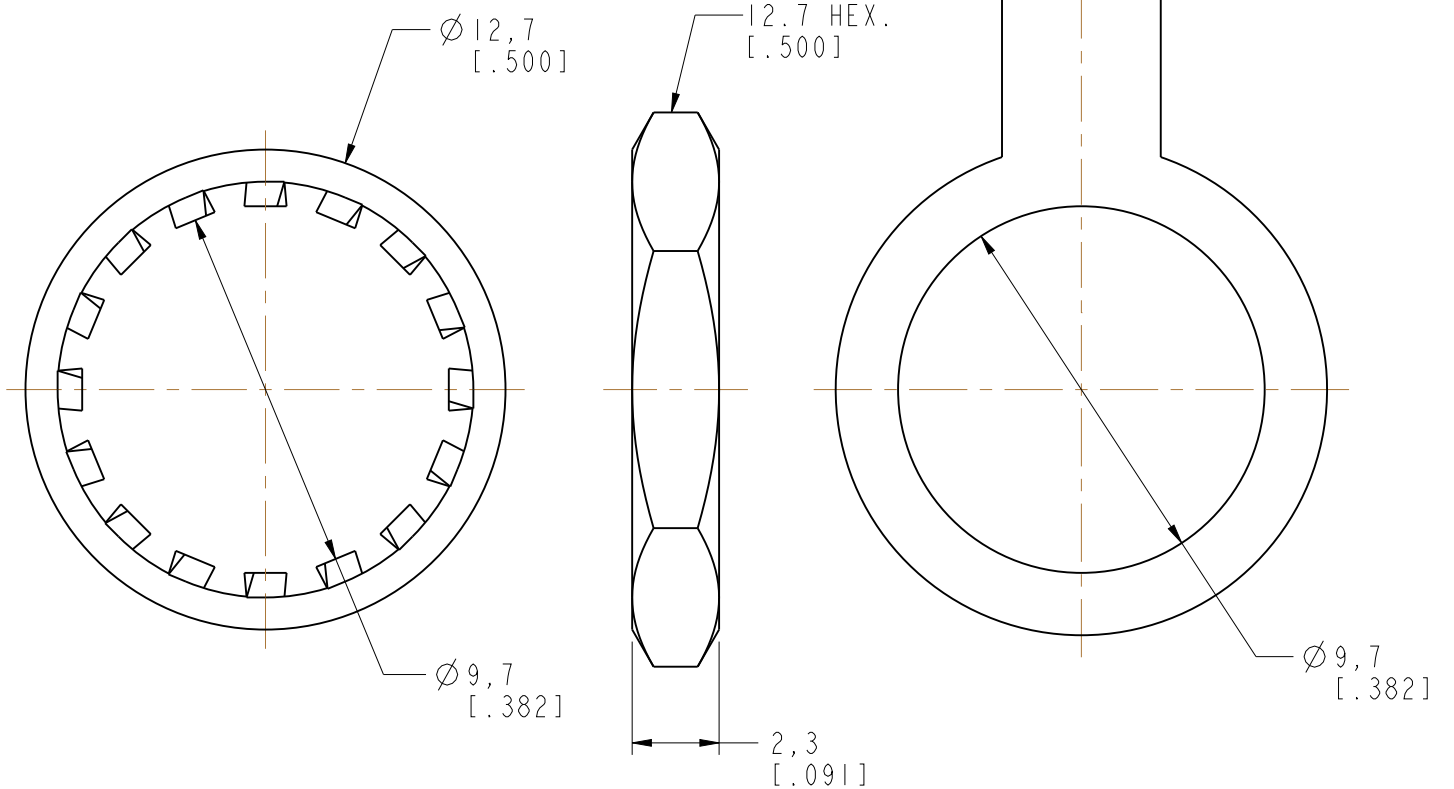
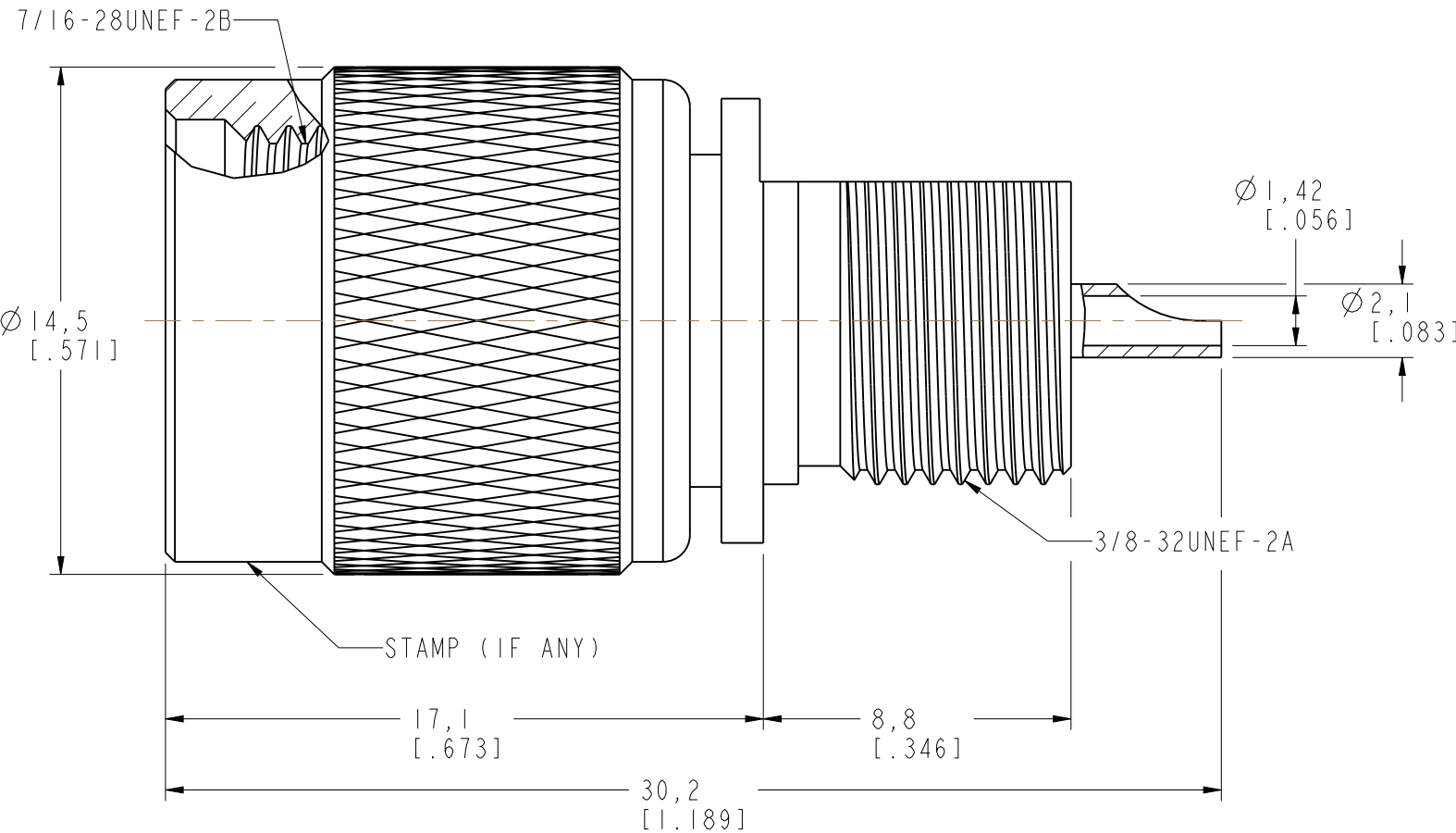
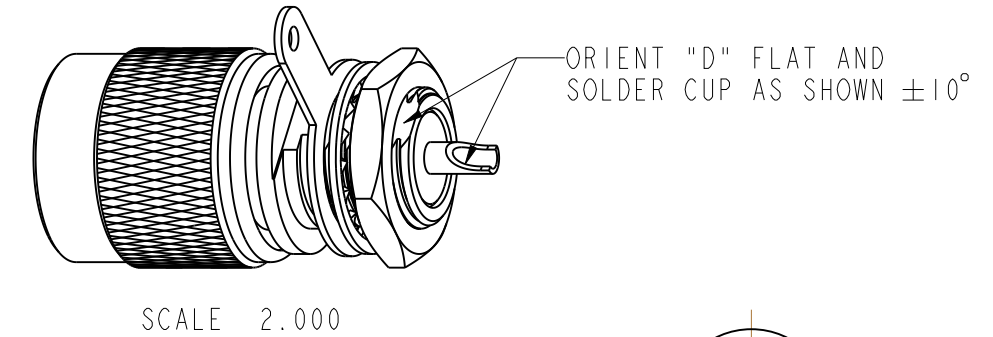
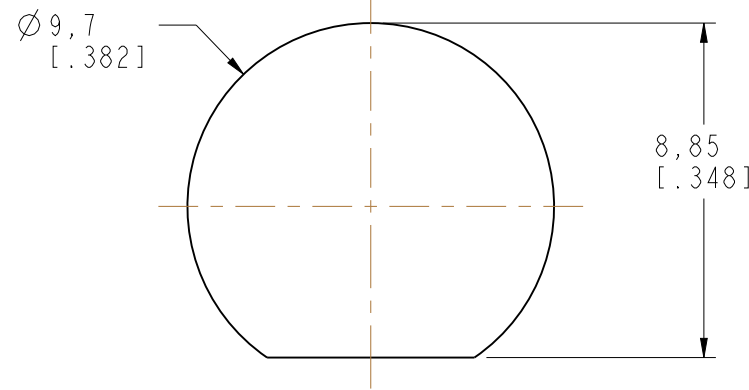
3. MECHANICAL:

- A. DURABILITY: 500 CYCLES MIN.
- B. TEMPERATURE RANGE: -65°C TO +165°C

THIRD ANGLE PROJ.

REVISIONS

REV	DESCRIPTION	DATE	ECO	APPR
A	RELEASE TO MFG.	16-Jul-08		J.W
B	REDRAWN IN PRO/E, SYNCH THE DRAWING; ADD ORIENTATION /RD-DMI608260IS7	31-Aug-16	1821	KEN



CUSTOMER OUTLINE DRAWING

ALL OTHER SHEETS ARE FOR INTERNAL USE ONLY

UNLESS OTHERWISE SPECIFIED, DIMENSIONS ARE IN METRIC AND TOLERANCES ARE:
 <0.5mm ±0.05mm 0.5 - 6mm ±0.1mm 6 - 30mm ±0.2mm 30 - 120mm ±0.3mm ANGLES ±1°

NOTICE - These drawings, specifications, or other data (1) are, and remain the property of Amphenol corp. (2) must be returned upon request; and (3) are confidential and not to be disclosed to any person other than those to whom they are given by Amphenol Corp. the furnishing of these drawings, specifications, or other data by Amphenol Corp., or to any other person to anyone for any purpose is not to be regarded by implication or otherwise in any manner licensing, granting rights to permitting such holder or any other person to manufacture, use or sell any product, process or design, patented or otherwise, that may in any way be related to or disclosed by said drawings, specifications, or other data.

MATERIAL	-
REFERENCE AND CONFIGURATION LEVEL: In Work	
FINISH	

DRAWN STAR	DATE 31-Aug-16
ENGINEER H.HE	DATE 16-Jul-08
APPROVED HARRY.H	DATE 31-Aug-16
CAD FILE	

TITLE TNC BULKHEAD RECEPTACLE PLUG	
SCALE: 5.0:1.0	SHEET 2 OF 2
DWG SIZE B	REV B

Amphenol RF www.amphenolrf.com	
DRAWING NO. T1351Q1-ND3G-50	
ITEM NO. 021351AAA0IND5F	
PART NO. 122330	