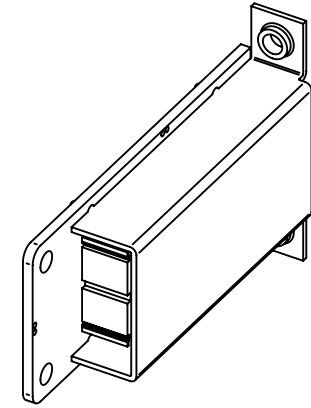
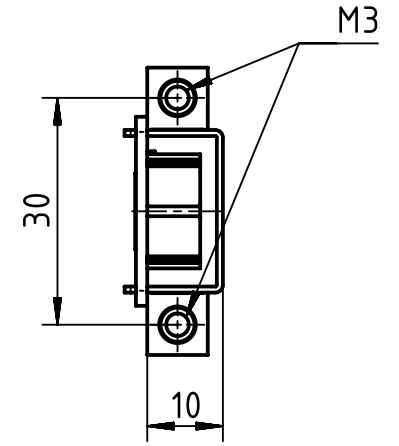
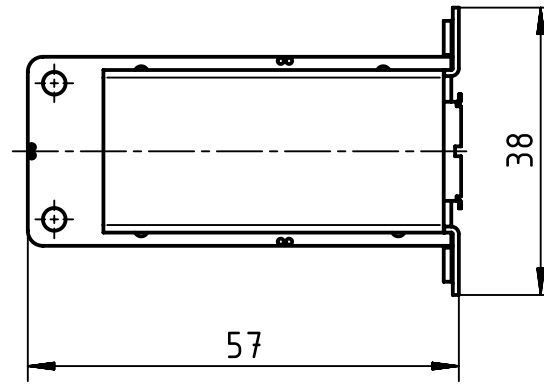
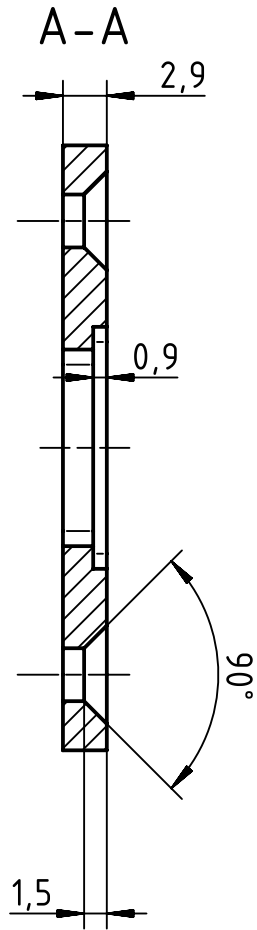
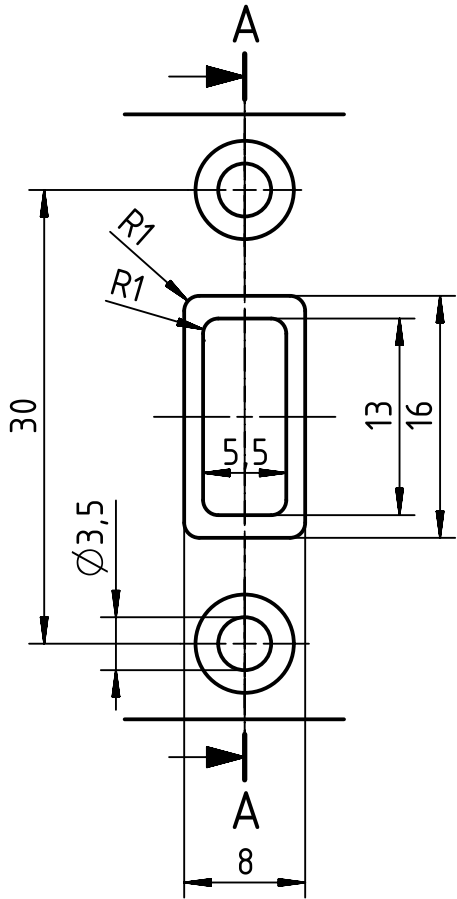


panel cut out (2:1)



2x bolts (M3x8) enclosed separately
cable tie enclosed separately

	All rights reserved Department EL PD - DE	All Dimensions in mm Original Size DIN A4	Scale 1:1	Free size tol.	Ref. Sub.
	HARTING Electric GmbH & Co. KG D-32339 Espelkamp	Created by RULLKOETTER	Inspected by SCHNIEDER	Standardisation SCHMIDTM	Date 2014-05-28
Title Gender Changer USB, f-f					Doc-Key / ECM-Nr. 100196276/UGD/004/C 500000075333
			Type TB	Number 39 50 904 0020	Rev. C Page 1/1