

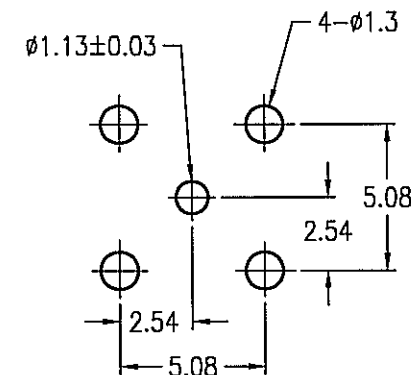
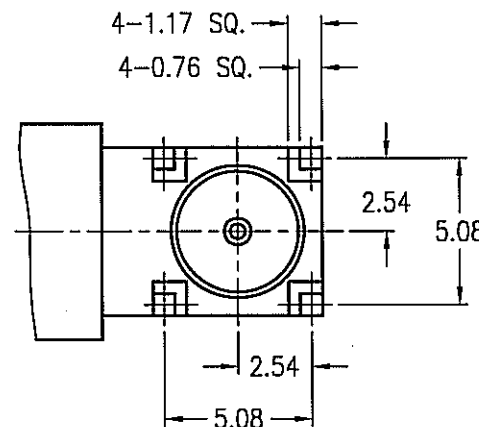
NOTES:

1. MATERIALS AND FINISHES(PLATING THICKNESS IN MICRO-INCHES):
 BODY - BRASS, NICKEL PLATING
 CONTACT - BERYLLIUM COPPER, GOLD PLATING
 INSULATOR - PTFE
2. ELECTRICAL:
 A. IMPEDANCE: 75 OHM
 B. FREQUENCY RANGE: DC 0-1 GHz
 C. DIELECTRIC WITHSTANDING VOLTAGE: 1000 VRMS, MIN.
3. MECHANICAL:
 A. DURABILITY: 500 CYCLES MIN.
 B. TEMPERATURE RANGE: - 65°C to +165°C

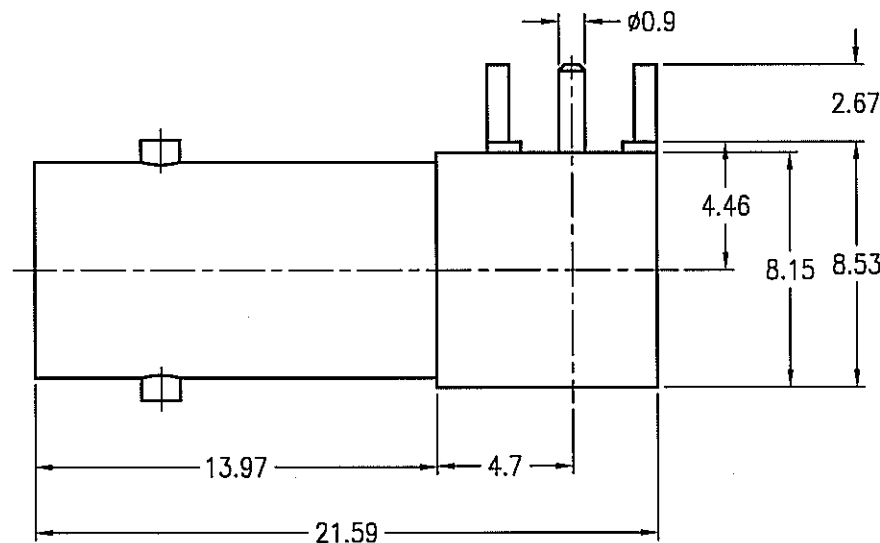
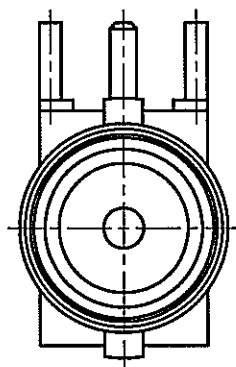
THIRD ANGLE PROJ.

REVISIONS

| REV | DESCRIPTION | DATE | ECO | APPR |
|-----|--------------------------|-----------|-------|------|
| A | RELEASE TO MFG. | 07-Jan-04 | 44588 | TOM |
| B | REDRAWN TO UPADTE FORMAT | 02-May-08 | 47064 | SHE |



PCB MOUNTING HOLE



CUSTOMER OUTLINE DRAWING

ALL OTHER SHEETS ARE FOR INTERNAL USE ONLY

| | | | | | |
|---|---|---|---|---|---|
| UNLESS OTHERWISE SPECIFIED, DIMENSIONS ARE IN METRIC AND TOLERANCES ARE: 0.5 - 6mm ±0.1mm 6 - 30mm ±0.2mm 30 - 120mm ± 0.3mm ANGLES ±1° | MATERIAL | DRAWN S.XIE ENGINEER S.XIE APPROVED TOM CAD FILE F:\DWG\MNB\6252A1\005\75\NT30G-BSZ | DATE 07-Jan-04 DATE 07-Jan-04 DATE 07-Jan-04 | TITLE MINI BNC R/A PCB MOUNT JACK SCALE: 3/1 SHEET 2 OF 2 DWG SIZE B CODE ID 74868 REV B | Amphenol RF Danbury CT USA, Tainan Taiwan, Shenzhen China www.amphenolrf.com DRAWING NO. MNB6252A1-005-NT30G-75 ITEM NO. 316252AAE36NC7F PART NO. 031-70265 |
| | NOTICE - These drawings, specifications, or other data (1) are, and remain the property of Amphenol Corp. (2) must be returned upon request; and (3) are confidential and not to be disclosed to any person other than those to whom they are given by Amphenol Corp. The furnishing of these drawings, specifications, or other data by Amphenol Corp., or to any other person to anyone for any purpose is not to be regarded by implication or otherwise in any manner licensing, granting rights or permitting such holder or any other person to manufacture, use or sell any product, process or design, patented or otherwise, that may in any way be related to or disclosed by said drawings, specifications, or other data. | REFERENCE FINISH | | | |