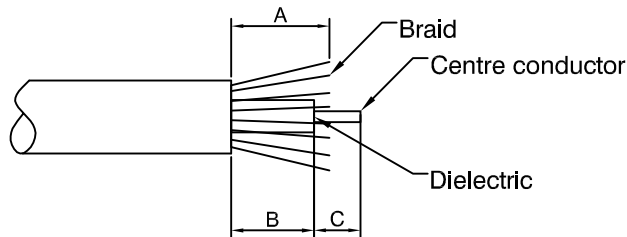


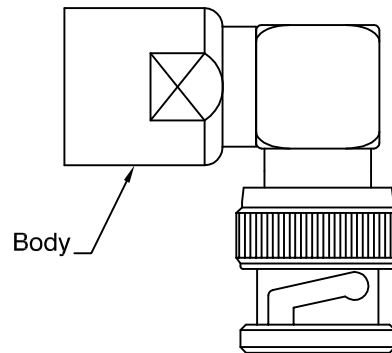
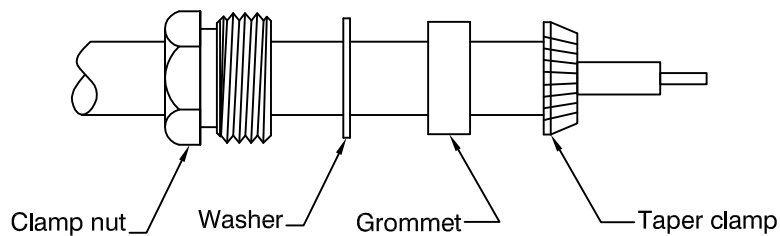
## Assembly Instructions

1) Strip the cable to the dimensions shown. Take care not to nick the centre conductor or braid.

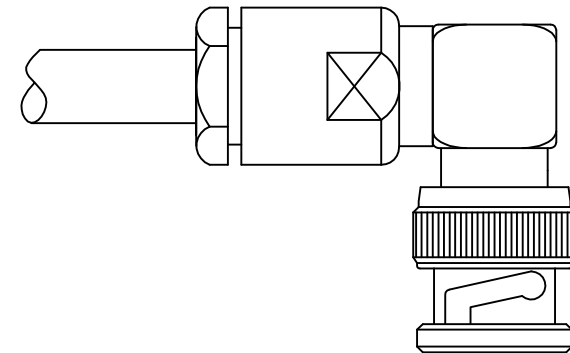
A = 7mm  
B = 4mm  
C = 3mm



2) Slide the clamp nut, washer and grommet over the cable. Place the taper clamp over the braid and push back against the cable jacket. Pull the braid back over the taper clamp and trim level with the rear as shown.



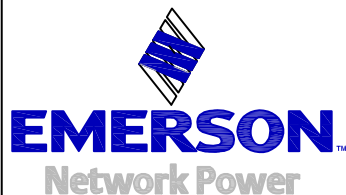
3) Insert the cable and parts into the connector body. Tighten the clamp nut using the appropriate wrenches. Solder the centre conductor and screw in the cap



Connector Part Number	Stripping Tool Part Number	Crimp Tool Part Number	Hex Size	
			Pin	Ferrule
VBS20-2031	N/A	N/A	N/A	N/A
VBS20-2031-1202	N/A	N/A	N/A	N/A
VBS20-2031-1203	N/A	N/A	N/A	N/A
VBS20-2031-1602	N/A	N/A	N/A	N/A
VBS20-2051	N/A	N/A	N/A	N/A
VBS20-2051-1202	N/A	N/A	N/A	N/A
VBS20-2051-1602	N/A	N/A	N/A	N/A
VBS20-2061	N/A	N/A	N/A	N/A
VBS20-2061-1202	N/A	N/A	N/A	N/A
VBS20-2071-1202	N/A	N/A	N/A	N/A

CAD Issue	SN	2	31 July 01
First Issue	IFS	1	03 April 97
DESCRIPTION OF REVISION	APPVD	ISS	DATE



**Connectivity Solutions**  
7-13 Russel Way,  
Widford Industrial Estate,  
Chelmsford, Essex,  
CM1 3AA, UK.  
Tel: +44 (0) 1245 359515  
Fax: +44 (0) 1245 358938

SCALE: Not To Scale

DIMENSIONS: mm

TOLERANCES:

DRAWN BY:

S Nash

CHECKED BY:

M Nielsen

APPROVED BY:

S Nash

DATE:

31 July 01

DESCRIPTION:

Stripping and Assembly  
Instructions for BNC Clamp  
Right angle Plug

DRAWING NUMBER:

**VAIB2201**

PAGE: 1 OF 1