

Electronic housing - UEGM 25 - 2792015

Please be informed that the data shown in this PDF Document is generated from our Online Catalog. Please find the complete data in the user's documentation. Our General Terms of Use for Downloads are valid (<http://download.phoenixcontact.com>)



Electronic housing, for PCB insertion, fully equipped with 3 screw or 6 tab connections per side

Illustration shows version UEGM 22.5

Product Features

- Cost-effective series production, since the base element and the assembled PCB are soldered by machine
- Efficient assembly thanks to overlapping housing parts
- Complex electronic circuits can be integrated, with up to 24 connections on two levels
- Can be snapped onto standard NS 35/7,5 and NS 35/15 DIN rails



Key commercial data

Packing unit	1
Minimum order quantity	10
Catalog page	Page 586 (CC-2011)
GTIN	 4 017918 072520
Custom tariff number	85369010
Country of origin	GERMANY

Technical data

General

Housing type	Complete housing
Housing material	Polyamide (PA 6.6)
Color	green

Dimensions / positions

Length	79 mm
Constructional height	85.5 mm
Width	25 mm
Number of positions	6
Pitch	5 mm

Electronic housing - UEGM 25 - 2792015

Technical data

Technical data

Ambient temperature (operation)	-40 °C ... 105 °C
Connection in acc. with standard	CUL
Nominal voltage U_N	300 V
Nominal current I_N	10 A
AWG/kcmil	30-12
Indicator1	CUL1
Inflammability class according to UL 94	V0
Power dissipation at 20°C in the horizontal mounting position	4 W 10 W

Connection data

Conductor cross section solid min.	0.2 mm ²
Conductor cross section solid max.	4 mm ²
Conductor cross section stranded min.	0.2 mm ²
Conductor cross section stranded max.	2.5 mm ²
Conductor cross section AWG/kcmil min.	24
Conductor cross section AWG/kcmil max	12
Stripping length	8 mm

Classifications

ETIM

ETIM 2.0	EC001031
ETIM 3.0	EC001031
ETIM 4.0	EC001031
ETIM 5.0	EC001031

UNSPSC

UNSPSC 11	31261501
UNSPSC 12.01	31261501
UNSPSC 13.2	31261501
UNSPSC 6.01	31261501
UNSPSC 7.0901	31261501

eCl@ss

eCl@ss 4.0	27180401
eCl@ss 4.1	27180401
eCl@ss 5.0	27180506
eCl@ss 5.1	27180506
eCl@ss 6.0	27180802
eCl@ss 7.0	27182702

Electronic housing - UEGM 25 - 2792015

Approvals

Approvals

Approvals

UL Recognized / cUL Recognized / GOST / GOST / cULus Recognized

Ex Approvals

Approvals submitted

Approval details

UL Recognized	
mm ² /AWG/kcmil	30-12
Nominal current I _N	10 A
Nominal voltage U _N	300 V

cUL Recognized	
mm ² /AWG/kcmil	30-12
Nominal current I _N	10 A
Nominal voltage U _N	300 V

GOST	
------	--

GOST	
------	--

cULus Recognized	
------------------	--

Electronic housing - UEGM 25 - 2792015

Accessories

Accessories

Bridges

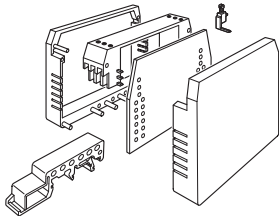
Wire bridge - DB 50- 90 GY - 2820929

Wire bridge, Color: gray

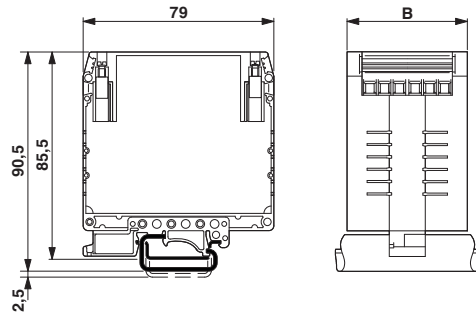


Drawings

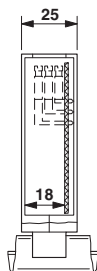
Explosion drawing



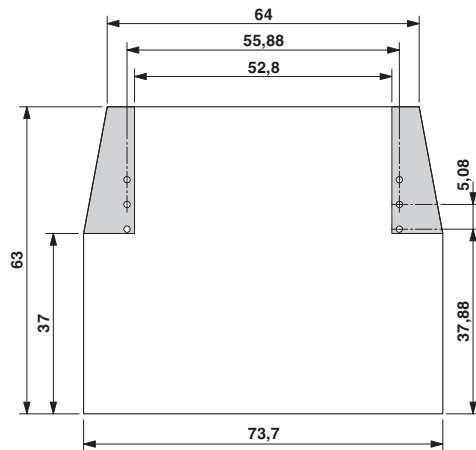
Dimensioned drawing



Dimensioned drawing



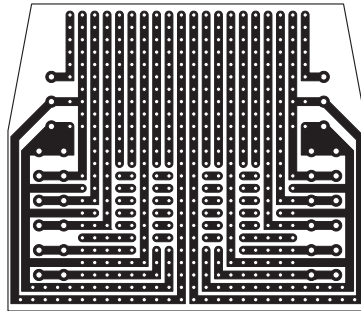
Dimensioned drawing



UEGM 25... und UEGM 27,5-SMD with 1 PCB, 6 positions or 12 positions (FS/FS)

Electronic housing - UEGM 25 - 2792015

Schematic diagram



© Phoenix Contact 2012 - all rights reserved
<http://www.phoenixcontact.com>