

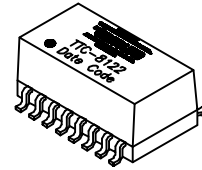
REV. Status
 PRELIMINARY
 01/08/01 BT



10 Base-T LAN Magnetic Module Single Port, 16 pin SOIC

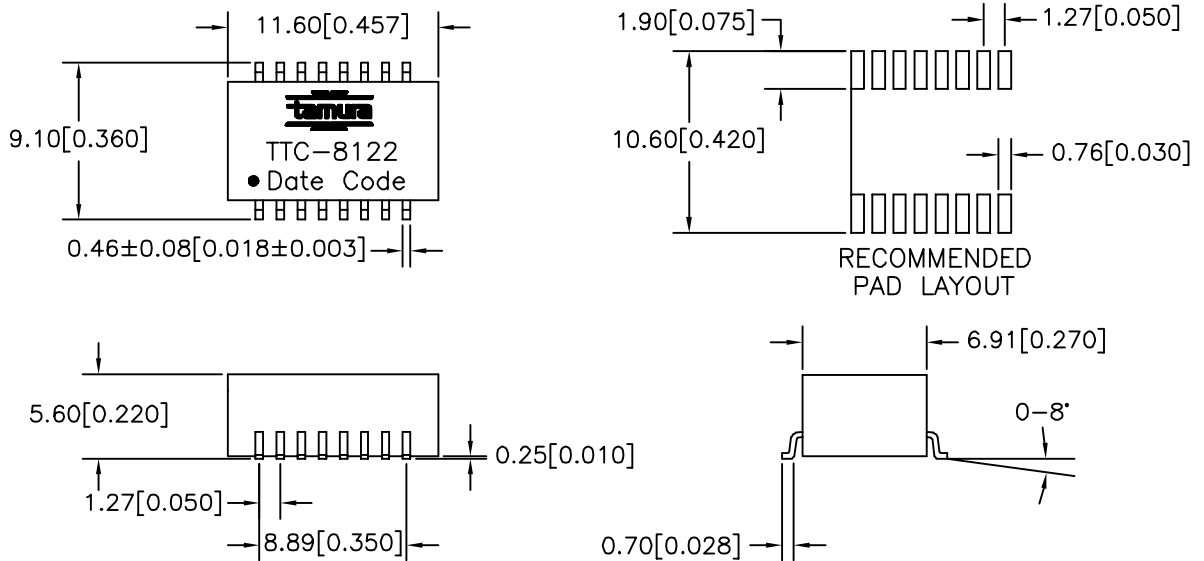
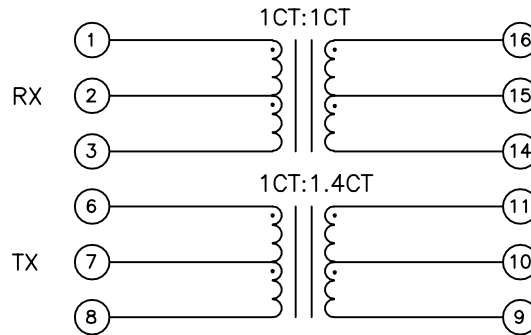
MODEL NUMBER
TTC-8122

- Complies with IEEE 802.3 Standard
- Surface Mount Device withstands IR reflow profile process



Electrical Specification @ 25°C				
DCR (Ω Max)	OCL (μH Min)	Hipot (Vrms)	Leakage L (μH Max)	C _{ww} (pF Max)
(1-3), (6-8)	100KHz 0.1Vrms	60 sec	100KHz 0.1Vrms	100KHz 0.1Vrms
0.3	200	1500	0.5	20

PRIMARY
 IN
 MIN
 RE
 RE
 RE



PREPARED BY:

D. Rund

ENGINEER:

L. Le

QUALITY CONTROL:

D. Kelley

APPROVED:

J. Coleman

NOTE: Unless otherwise specified, all dimensions are mm[in] with tolerance of ±0.25[0.010]

DWG CONTROL NO. P-A1-12704 ACAD\TTC\A1127041.DWG	REV PRE	10 Base-T LAN Magnetic Module Single Port, 16 pin SOIC	TTC-8122	
CONTENTS OF THIS DRAWING ARE SUBJECT TO CHANGE WITHOUT PRIOR NOTICE		TAMURA CORPORATION OF AMERICA		MODEL SPECIFICATION
43352 BUSINESS PARK DRIVE, TEMECULA, CA. 92590-6624 (909) 699-1270 FAX 9096769482		DIM: mm(In)		SCL: none SH: 1 OF 1
PROPRIETARY NOTICE: THIS DRAWING PRINT OR DOCUMENT AND SUBJECT MATTER DISCLOSED HEREIN ARE PROPRIETARY ITEMS TO WHICH TAMURA RETAINS THE EXCLUSIVE RIGHT OF DISSEMINATION, REPRODUCTION, MANUFACTURE AND SALE. THIS DRAWING, PRINT OR DOCUMENT IS SUBMITTED IN CONFIDENCE FOR CONSIDERATION BY THE RECIPIENT ALONE UNLESS PERMISSION FOR FURTHER DISCLOSURE IS EXPRESSLY GRANTED IN WRITING.				