

TDK Corporation

Piezo & Protection Device B. Grp.

3-9-1, Shibaura, Minato-ku, Tokyo,

108-0023, Japan

TEL. 03-6852-7300



NTCG

**NTC Chip Thermistor
Temperature Sensing Device**

PRODUCT:NTCG104EF104FTDSX

**This product is compliant with the
AEC-Q200 standard.**

PAGE NO.: 1 OF 1

Dimensions and construction

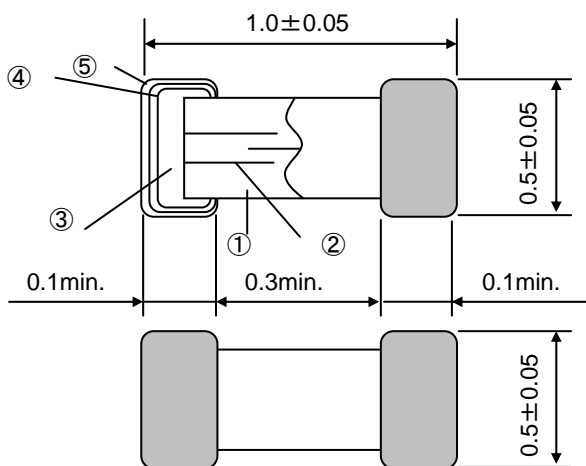


TABLE1. Parts List

	Part Name	Material
①	Element	Manganese, Nickel-oxide base Ceramics materials
②	Inner electrodes	Palladium
③	Terminal	Silver base
④	electrodes	Nickel-plating
⑤		Tin-plating

Operating temperature range

-40 ~ +125°C

TABLE 2. Electric Performance:

Item	Symbol	Specification
Nominal resistance and tolerance	R25	100kΩ ± 1%
B value and tolerance	B25/50	4250K ± 1%
Maximum rated power (condition: PCB)	P25	100 mW / 25°C in still air

TABLE 3. Resistance - Temperature Characteristics (condition: chip in silicone oil)

Temp (°C)	Min (kΩ)	Nom (kΩ)	Max (kΩ)	Temp (°C)	Min (kΩ)	Nom (kΩ)	Max (kΩ)	Temp (°C)	Min (kΩ)	Nom (kΩ)	Max (kΩ)
-40.0	4054	4251	4458	20.0	125.5	127.0	128.6	80.0	10.24	10.58	10.92
-35.0	2875	3005	3140	25.0	99.00	100.0	101.0	85.0	8.587	8.887	9.195
-30.0	2063	2149	2238	30.0	78.26	79.23	80.21	90.0	7.235	7.500	7.774
-25.0	1497	1554	1613	35.0	62.26	63.18	64.10	95.0	6.122	6.357	6.600
-20.0	1097	1135	1175	40.0	49.84	50.68	51.54	100.0	5.202	5.410	5.626
-15.0	812.0	837.8	864.3	45.0	40.13	40.90	41.68	105.0	4.438	4.623	4.815
-10.0	606.6	624.1	642.0	50.0	32.50	33.19	33.90	110.0	3.801	3.966	4.137
-5.0	457.3	469.1	481.2	55.0	26.47	27.09	27.72	115.0	3.269	3.415	3.568
0.0	347.6	355.6	363.8	60.0	21.67	22.22	22.78	120.0	2.821	2.952	3.088
5.0	266.4	271.8	277.3	65.0	17.84	18.32	18.82	125.0	2.444	2.561	2.683
10.0	205.8	209.4	213.1	70.0	14.75	15.18	15.63				
15.0	160.1	162.5	164.9	75.0	12.26	12.64	13.04				