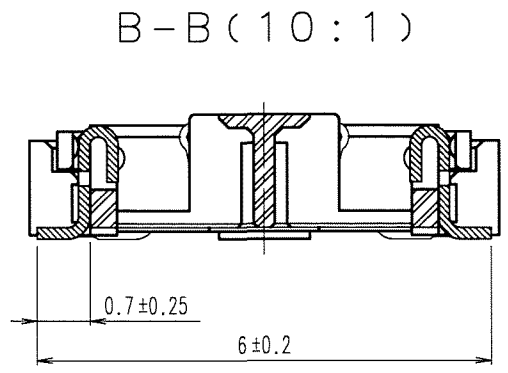
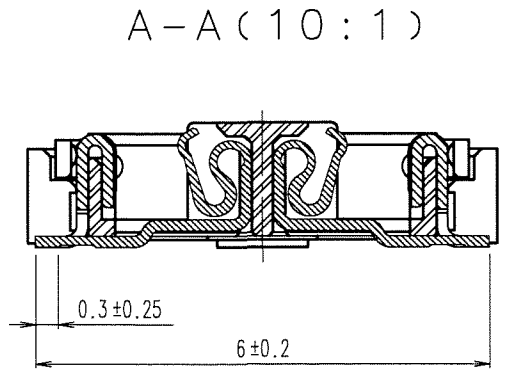
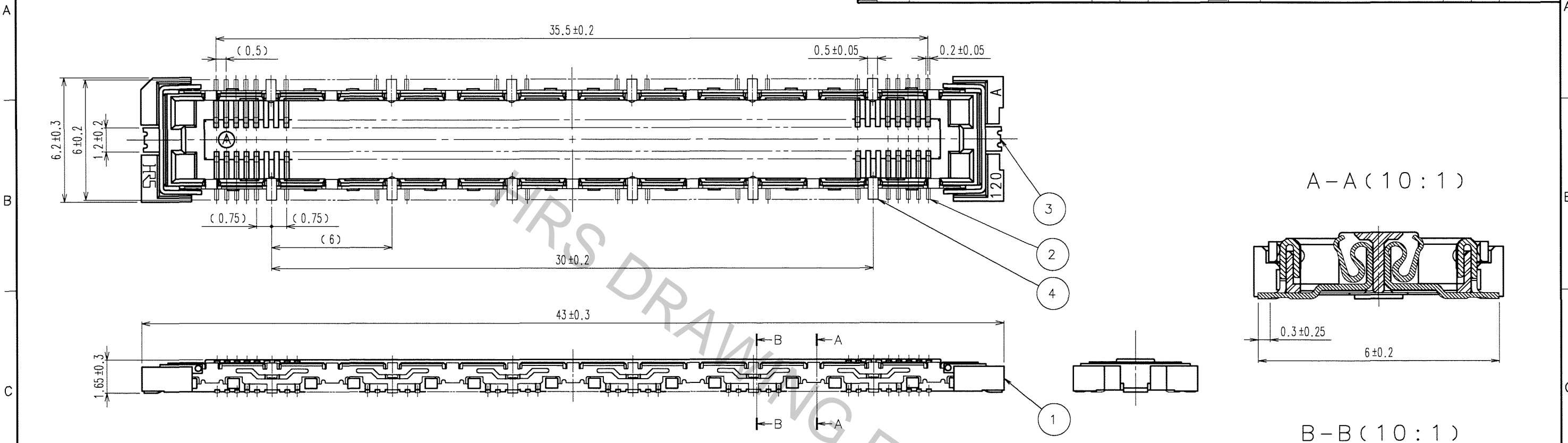
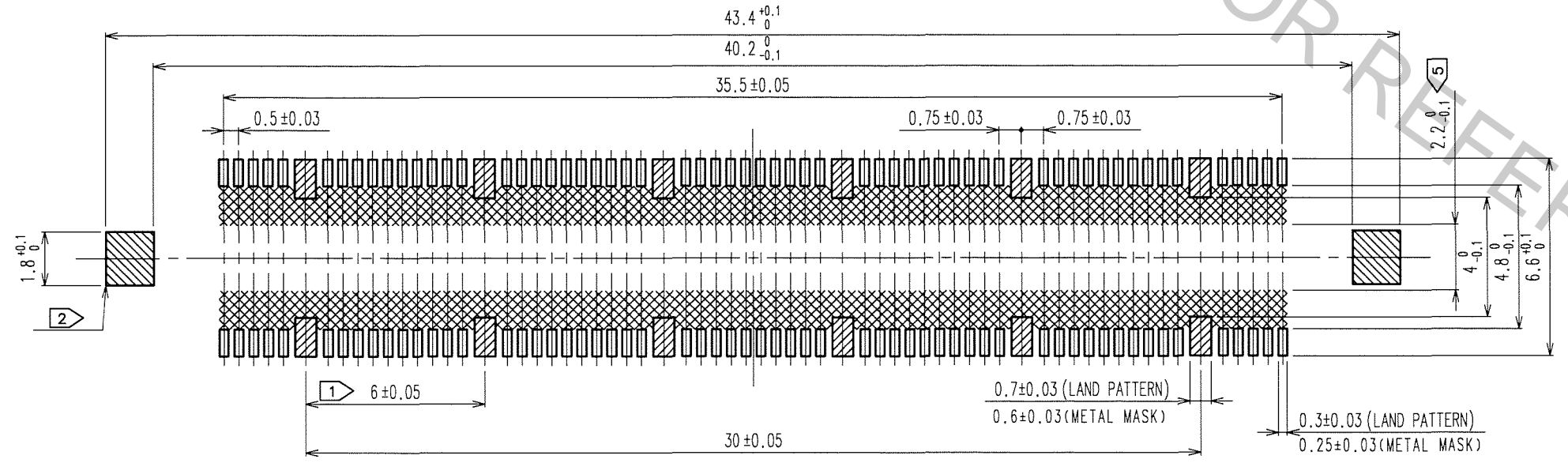


Apr.1.2017 Copyright 2017 HIROSE ELECTRIC CO., LTD. All Rights Reserved.

COUNT	DESCRIPTION OF REVISIONS	BY	CHKD	DATE	COUNT	DESCRIPTION OF REVISIONS	BY	CHKD	DATE



RECOMMENDED LAND PATTERN DIMENSION OF PCB



4	PHOSPHOR BRONZE	TIN PLATING
3	PHOSPHOR BRONZE	TIN PLATING
2	PHOSPHOR BRONZE	CONTACT AREA : GOLD 0.1μ m min.
		LEAD AREA : GOLD FLASH
		UNDER PLATING : NICKEL 1μ m min.

NO.	MATERIAL	FINISH, REMARKS	NO.	MATERIAL	FINISH, REMARKS
1	LCP	BEIGE UL94V-0			

CODE NO. (OLD) CL	DRAWN S. KAMIGA	DESIGNED H. Nakamura	CHECKED K. Ogawa	APPROVED H. Okawa	RELEASED
	06.04.24	06.04.26	06.04.27	06.04.27	
SCALE 5 : 1	DRAWING NO. EDC3-152115-25		PART NO. FX11LB-120S/12-SV(71)		
UNITS mm	HIROSE ELECTRIC CO., LTD.		CODE NO. CL573-0115-3-71	1/1	

- NOTES
- 12 HATCHED PARTS: GROUND CIRCUIT.
  - 2 HATCHED PARTS: GROUND CIRCUIT.
  - SMT LEAD-COPLANARITY: 0.1 MAX.
  - THIS PRODUCT HAS NO POLARITY TO PATTERN FOR MOUNTING.
  - MAKE SURE WIDTH OF PATTERN IS WITHIN THAT OF LAND, OR LEAD MAY TOUCH PATTERN. (THIS APPLIES TO HATCHED AREA.)
  - THE DIMENSIONS IN PARENTHESES ARE FOR REFERENCE.

TO  
PCK