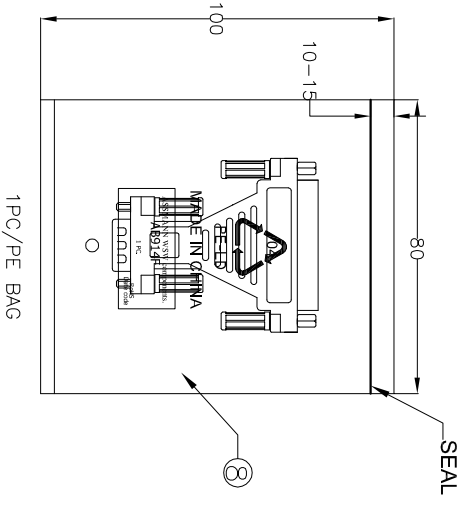


Electrical test:
 1. 100% short, open, miss wire test
 2. Conduct resistance: 2 Ohm(max)
 3. Insulation resistance: 5Mohm(min)
 4. Dielectric test: DC 300V

PIN ASSIGNMENT:

P1	P2
1	8
2	3
3	2
4	20
5	7
6	6
7	4
8	5
9	22
SHELL	SHELL

NO.	NAME	QTY	SPECIFICATION
①	CONN	1	DB9P MALE SOLDER TYPE G/F ,BLUE INSULATION SHELL-NICKEL,
②	CONN	1	DB25P FEMALE SOLDER TYPE PIN G/F, BLUE INSULATION SHELL-NICKEL,
③	CABLE	445mm	UL 1007 26AWG COLOR BLACK L1=45mm*9PCS L2=50mm*1PCS.
④	IN JACKET	7.8g	CLEAR LD-PE
⑤	OUT JACKET	30g	40P PVC BEIGE(IV-29#)
⑥	SCREW	4	THUMB SCERW #4-40UNC L21mm MOLD BEIGE(IV-29#)
⑦	NUT	2	UNT:#4-40UNC 4.75*5.9mm NICKEL PLATED
⑧	PE BAG	1	CLEAR SIZE:80*100*0.05mm PRINT BLACK"MADE IN CHINA"+"1PCS"
⑨	PE BAG	1/10	CLEAR SIZE:170*250*0.05mm PRINT BLACK"MADE IN CHINA"+"10PCS"



RoHS compliant
 Unit: mm

Scale	Free	Date	Name	Customer-No.
TOLERANCE		20.02.2017	Amy	ASSMANN WSW-NO.
		20.02.2017	Amy	AB914F
DIM	TOL			Drawing-No.
				ASS 7870 CA
Angle	TOL			Replace
				Sheet
Id.	Modification	Date	Name	
①	Drawn	20.02.2017	Amy	

