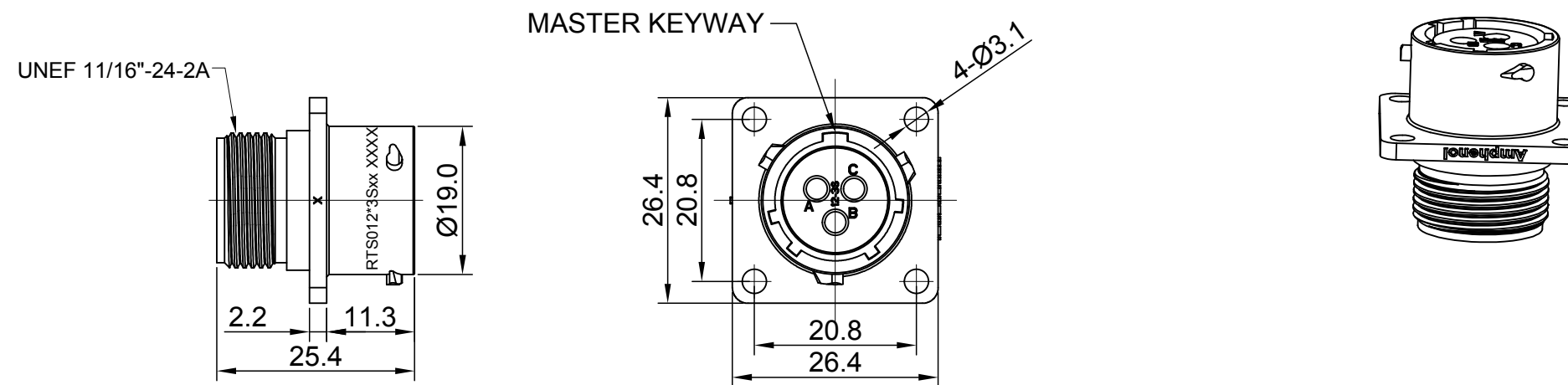
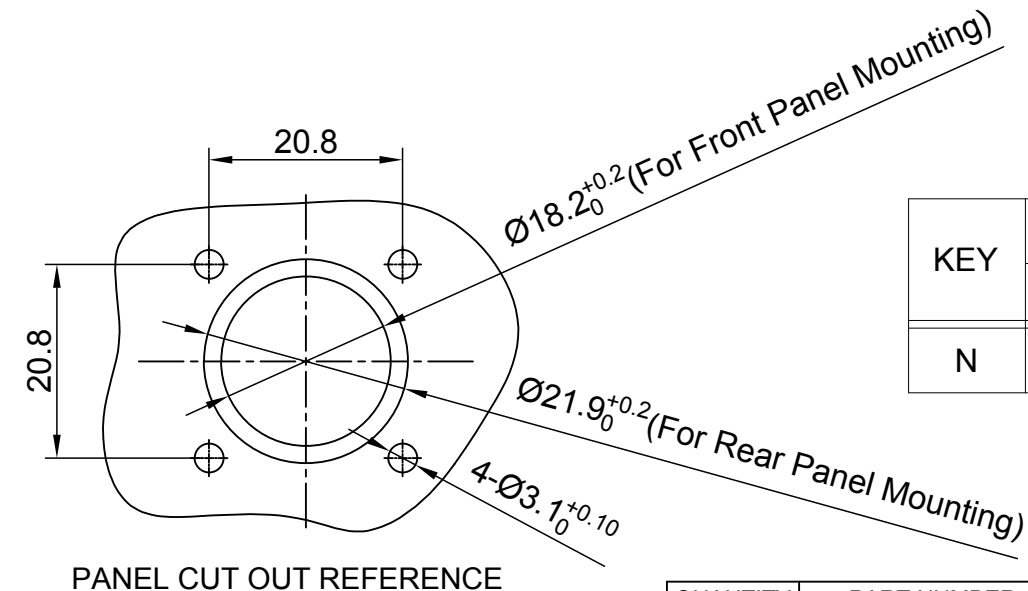


REVISIONS					
REV	ECO	DESCRIPTION	DATE	BY	APPR
A1	--	FIRST RELEASED	Jul-01-2017	Nick	Tommy
A2	--	UPDATE DRAWING	Mar-19-2018	White	Tommy
A3	--	UPDATE DRAWING	Apr-10-2018	White	Tommy



NOTES : (UNLESS OTHERWISE SPECIFIED)

- MATERIAL :  
SHELL : THERMOPLASTIC , UL94 V-0.  
INSERT : THERMOPLASTIC , UL94 V-0.  
SEAL GASKET : NBR OR SILICONE RUBBER.
- SPECIFICATIONS :  
2.1, RATED CURRENT : 13A (MAX).  
2.2, RATED VOLTAGE : 600V(AC/DC).  
2.3, OPERATING TEMPERATURE : SEE TABLE.  
2.4, DIELECTRIC WITHSTANDING VOLTAGE : LESS THAN 2 MILLIAMPS CURRENT LEAKAGE@2000 VOLTS AC.  
2.5, INSULATION RESISTANCE : 5000 MEGOHMS MIN.  
2.6, IP-CLASS : IP67 AND IP69K IN THE MATED CONDITION, PANEL EXTERNAL.
- MATING CYCLES DURABILITY : 500 CYCLES MIN.
- RoHS COMPLIANT.
- SUITABLE CONTACTS : 16# CONTACT.
- ALL DIMENSIONS ARE FOR REFERENCE USE ONLY.



KEY	PART NUMBER	
		-40°C ~ 105°C
N	RTS012N3S	RTS012N3S03

QUANTITY	PART NUMBER	DESCRIPTION	ITEM
<b>MATERIALS LIST</b>			
UNLESS OTHERWISE SPECIFIED 1) All dimensions are in metric(mm). 2) Tolerances are as follows: 1 PL DEC ±0.30   Fractions ±1/64 2 PL DEC ±0.15   Angles ±1° 3 PL DEC ±0.08		SIGNATURES   DATE DRAWN: White   Apr-10-2018 CHECKED: Tod   Apr-10-2018 ENGINEER: APPROVAL: Tommy   Apr-10-2018	
MATERIAL SPECIFICATIONS:		<p style="text-align: center;"><b>Amphenol</b></p> <p style="text-align: center;">Sine Systems - www.amphenol-sine.com 44724 Morley Drive Clinton Township, MI 48036</p> <p style="text-align: center;">ECO-MATE, RECEPTACLE, FLANGE, SIZE 12, 3 POS, SOCKET</p>	
PROCESS SPECIFICATIONS:			
NEXT ASSY:		<p style="text-align: center;">THIS DRAWING IS SUPPLIED FOR INFORMATION ONLY. DESIGN FEATURES, SPECIFICATIONS AND PERFORMANCE DATA SHOWN HEREON ARE THE PROPERTY OF THE AMPHENOL CORPORATION. NO RIGHTS OF REPRODUCTION ARE IMPLIED. ALL DIMENSIONS ARE SUBJECT TO NORMAL MANUFACTURING VARIATIONS.</p>	
SIZE	TYPE	DWG NO:	REVISION
B	C-	RTS012*3Sxx	A3
SCALE	NONE	SHEET 1 OF 1	

TITLE: ECO-MATE RECEPTACLE 3POS SOCKET CONTACT SIZE 12  
DWG NO: RTS012\*3Sxx  
REV: A3  
SH: 1  
OF: 1