



Features:

- ◇ Low-cost, high-performance miniature snap-in DPM with annunciators
- ◇ Snap-in bezel mount eliminates mounting hardware
- ◇ Space-saving design: only .5" deep
- ◇ Occupies less than 1.75 X .95 inches of front panel space
- ◇ 3½ digits with high-contrast LCD

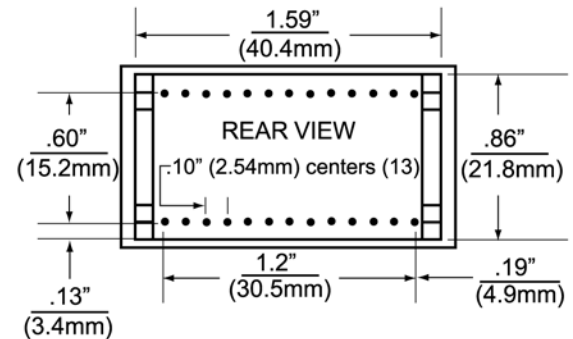
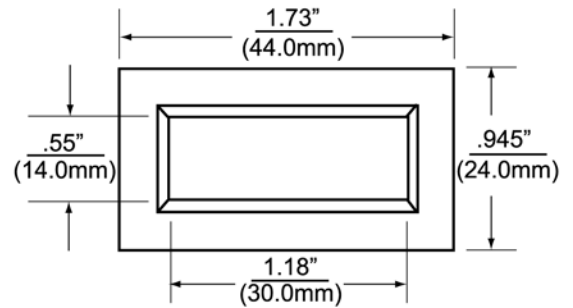
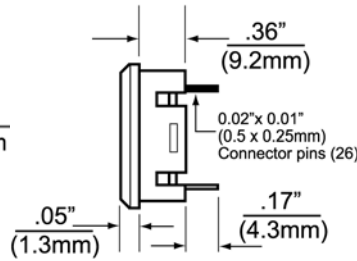
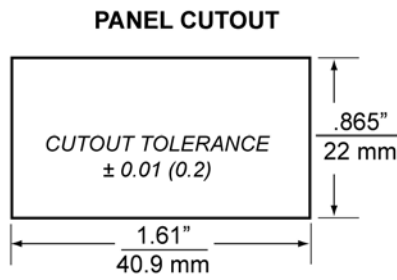
Specifications:

Display:	Digits:	3 ½ digits (±1999 counts)	
	Type:	0.38" (9 mm) high-contrast reflective LCD	
	Polarity:	automatic, "-" displayed	
	Decimal Points:	3 position, user selectable	
	Annunciators:	BAT, °C, °F, -, m, μ, MΩ, KΩ, V, A, HOLD, user selectable	
	Overrange:	three lower order digits blank for inputs >1999 & < -1999	
	Hold:	available OEM option, contact factory	
Inputs:	Ranges:	±200.0 mV, ±2.000 V	
	Configuration:	bipolar differential	
	Protection:	±350 VDC, (±100 VDC on 200 mV range)	
	Impedance:	>10 MΩ, (>1 MΩ, on 2 V range)	
Performance:	Accuracy:	±(0.1% +1 count) typical ±(0.1% + 2 counts) maximum	
	Conversion Rate:	2.5 per second	
	Normal Mode Rejection:	>30 dB @ 60 Hz	
	Common Mode Range:	±1 VDC	
	Common Mode Rej.:	>86 dB	
	Zero Adjustment:	automatic	
	Warmup:	10 minutes typical	
	Temperature Coefficient:	±100 ppm per °C typical	
	Environment:	Operating Range:	0 to 50 °C
		Storage Range:	-20 to 70 °C
Power Supply:	5V powered:	+5 VDC (± 5%) at 5 mA	
	9V powered:	+7.2-12 VDC at 300 μA	
Mounting:	snap-in bezel mount		
Connection:	26 pins, in 2 rows		

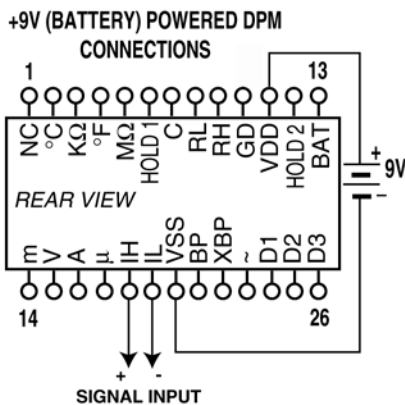
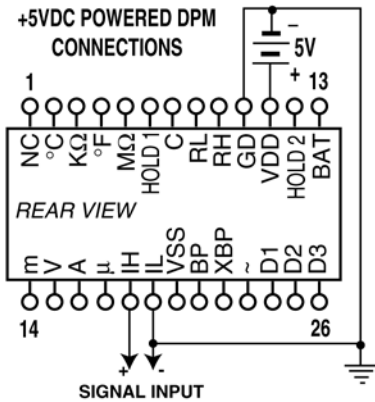
Ordering Information:

PART NUMBER	METER INPUT	METER POWER
DK201.....	200mV	+5VDC
DK202.....	2V	+5VDC
DK203.....	200mV	9VDC
DK204.....	2V	9VDC
PW2-5.....	Regulated 120V AC to 5V DC Power Supply	
PW2-12.....	Regulated 120V AC to 12V DC Power Supply	
PW1.0.....	24V AC to adjustable DC output	
CPW1.5.....	24V AC to adjustable DC output	
CVC.....	Calibrator	

Dimensions & Wiring



MINI 26-PIN DPM CONNECTIONS



CONNECTION DESCRIPTIONS

PIN#	26 PIN	DESCRIPTION
1		NO CONNECTION
2	°C	ANNUNCIATOR
3	KΩ	ANNUNCIATOR
4	°F	ANNUNCIATOR
5	MΩ	ANNUNCIATOR
6	HOLD1	CONNECT TO VDD TO HOLD DISPLAY
7	C	ANALOG COMMON
8	RL	REFERENCE LOW TERMINAL
9	RH	REFERENCE HIGH TERMINAL
10	GD	NEG POWER SUPPLY FOR 5V DPMS
11	VDD	POSITIVE DPM POWER SUPPLY
12	HOLD2	"HOLD" ANNUNCIATOR
13	BAT	ANNUNCIATOR
14	m	ANNUNCIATOR
15	V	ANNUNCIATOR
16	A	ANNUNCIATOR
17	μ	ANNUNCIATOR
18	IH	POSITIVE INPUT SIGNAL
19	IL	NEGATIVE INPUT SIGNAL
20	VSS	NEGATIVE POWER SUPPLY FOR 9V
21	BP	LCD BACKPLANE
22	XBP	ANNUNCIATOR & DECIMAL POINT DRIVER
23	~	ANNUNCIATOR
24	D1	1.XXX
25	D2	1X.XX
26	D3	1XX.X

} DECIMAL POINT

NOTES:

- INPUT MUST BE ISOLATED FROM SUPPLY ON 9V POWERED DPM.
- DISPLAY HOLDS READING WHEN "HOLD1" IS HIGH (CONNECTED TO "VDD"). READINGS ARE UPDATED WHEN OPEN. (OPTIONAL)
- INPUT COMMON MODE RANGE IS ±1 V DC ON +5V POWERED DPMS.
- TO TURN ON DECIMAL POINTS OR ANNUNCIATORS, CONNECT TO "XBP".