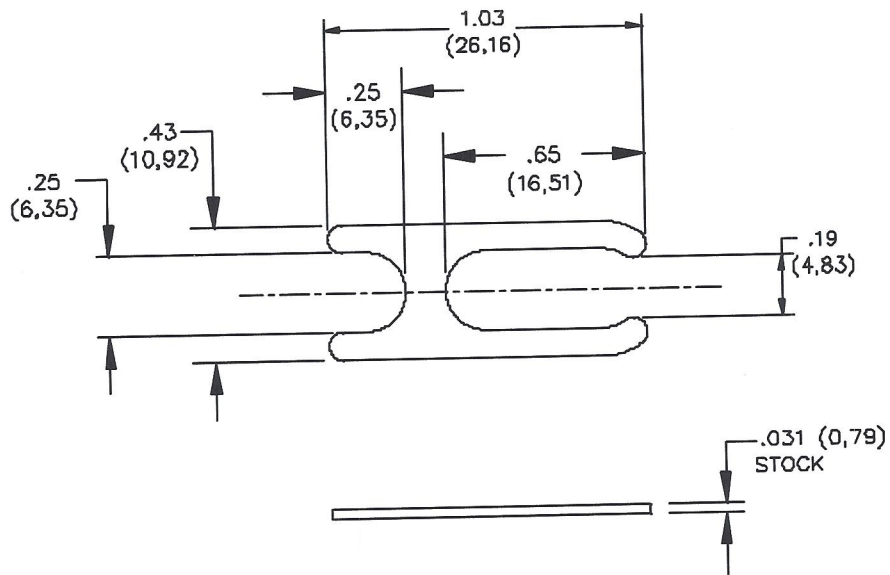




**BU-P4115**  
**(SHORTING BAR)**



**MATERIAL:**

**Nickel Plated Brass**

**Parts are packaged (10) per Bag**

**RoHS Compliant**