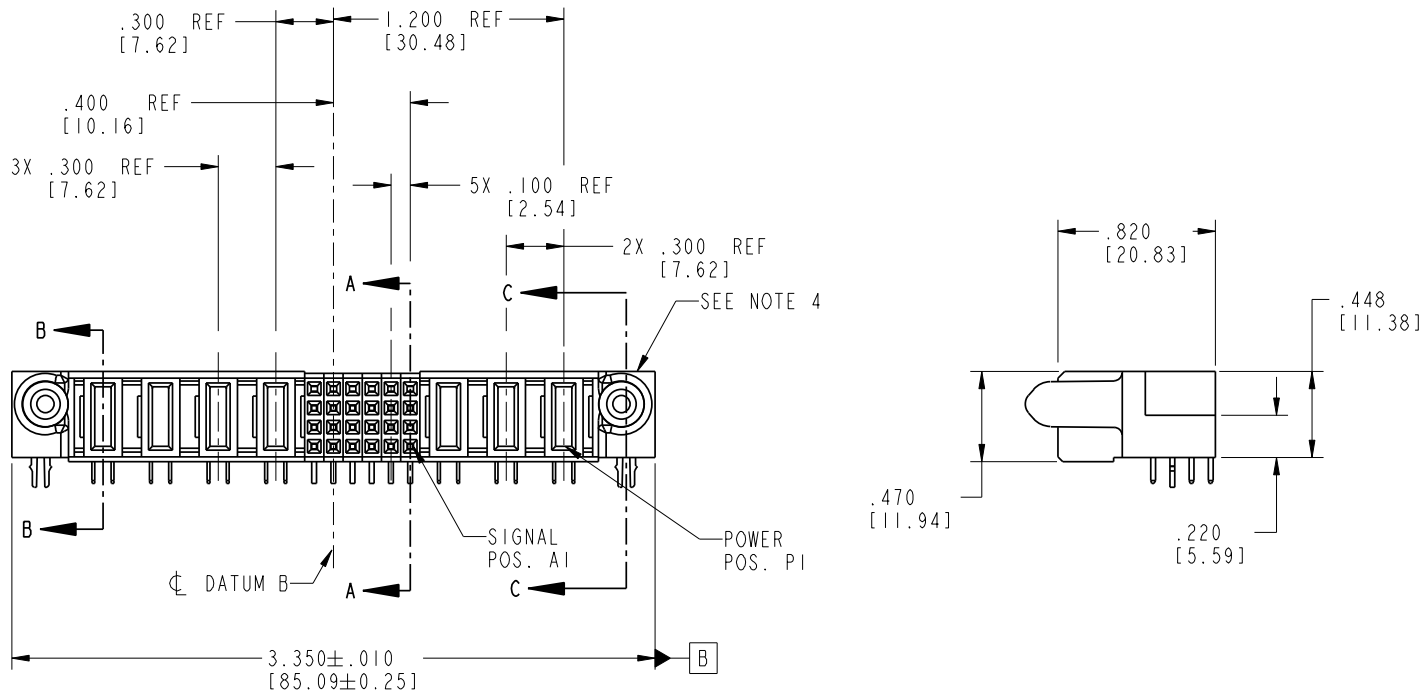
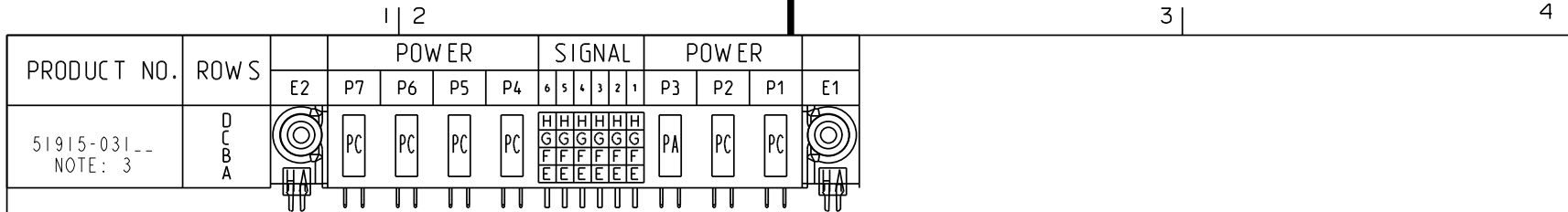


Tous droits strictement réservés. Reproduction ou communication o des liers interdite sous quelque forme que ce soit sans autorisation écrite du propriétaire. Propriete de c FCI. Droits de reproduction FCI.



All rights strictly reserved. Reproduction or issue to third parties in any form whatever is not permitted without written authority from the proprietor. Property of FCI. Copyright FCI.



CODE	DIM "M" MATING LENGTH	CONTACT TYPE
E	N/A [N/A]	SIGNAL
F	N/A [N/A]	SIGNAL
G	N/A [N/A]	SIGNAL
H	N/A [N/A]	SIGNAL
PA	.042 [1.07]	POWER
PC	.092 [2.34]	POWER
HA	N/A [N/A]	HOLD-DOWN

mat'l code SEE NOTE 2				tolerances unless otherwise specified		CUSTOMER		www.fciconnect.com		
lir	ecn no.	dr	date	linear	.XX±.01/0.X±0.3		COPY			title 3P + 24S + 4P R/A SOLDER RECEPTACLE
A	V03-0732	DA1	07/02/03		.XXX±.005/0.XX±0.13		projection			
B	DG06-0234	JMG	06/14/06	angles	.XXX±.0020/0.XXX±0.051				product family PwrBlade	code 213
					0°±2°		INCH/MM			
				dr	D. INGRAM	07/02/03	scale		size A	sheet 1 of 4
				enrg	M. MOSTOLLER	07/02/03	1:1			
				chr	M. MOSTOLLER	07/02/03			51915-031	
				appd	M. MOSTOLLER	07/02/03				
sheet index	revision sheet	B 1	B 2	B 3	B 4					

Pro/E

PDM: Rev: B

STAT: Released

Printed: Dec 20, 2010

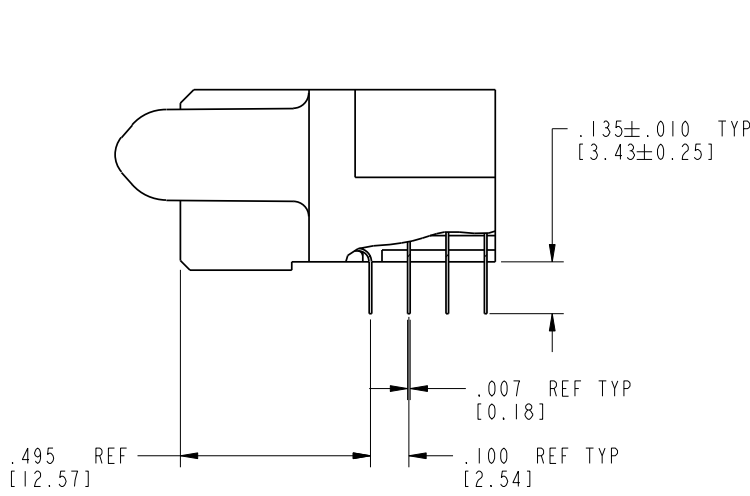
Tous droits strictement réservés. Reproduction ou communication o des liers interdite sous quelque forme que ce soit sans autorisation écrite du propriétaire. Propriété de c FCI. Droits de reproduction FCI.



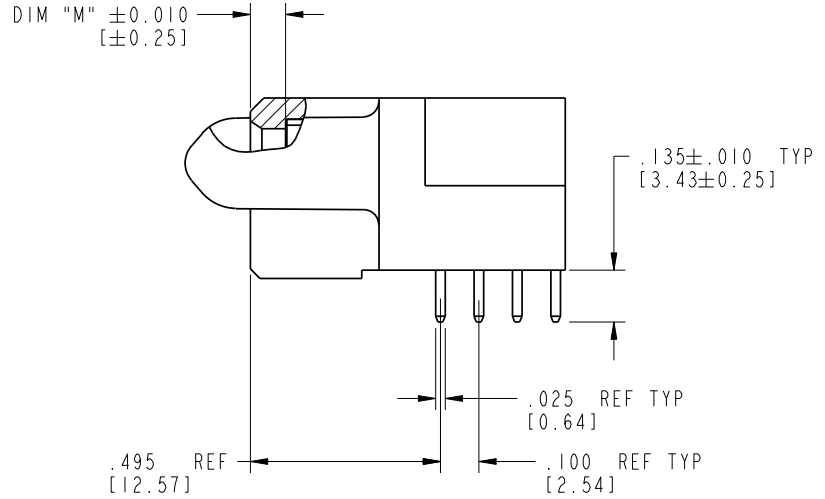
All rights strictly reserved. Reproduction or issue to third parties in any form whatever is not permitted without written authority from the proprietor. Property of FCI. Copyright FCI.

PRODUCT NUMBER

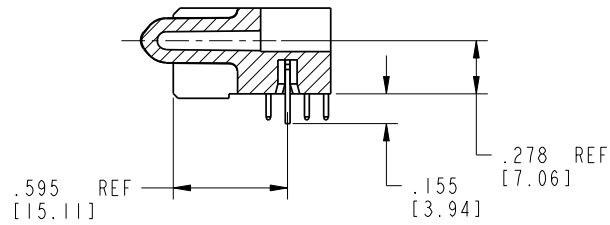
51915-031__
NOTE: 3



BROKEN-OUT SECTION A-A
SCALE 2:1



BROKEN-OUT SECTION B-B
SCALE 2:1



SECTION C-C

mat'l code		SEE NOTE 2		tolerances unless otherwise specified		CUSTOMER		FCI www.fciconnect.com	
lir	ecn no.	dr	date	linear	.XX±.01/0.X±0.3	projection	title		
B					.XX±.005/0.XX±0.13	⊕	3P + 24S + 4P		
				angles	.XXX±.0020/0.XXX±0.051	⊕	R/A SOLDER RECEPTACLE		
				dr	0° ± 2°	INCH/MM	product family	PwrBlade	code
				enr	D. INGRAM 07/02/03	scale	size	dwg no	213
				chr	M. MOSTOLLER 07/02/03	1:1	A	51915-031	sheet
				appd	M. MOSTOLLER 07/02/03				2 of 4
sheet index	revision sheet								

Pro/E

PDM: Rev: B

STAT: US: Released

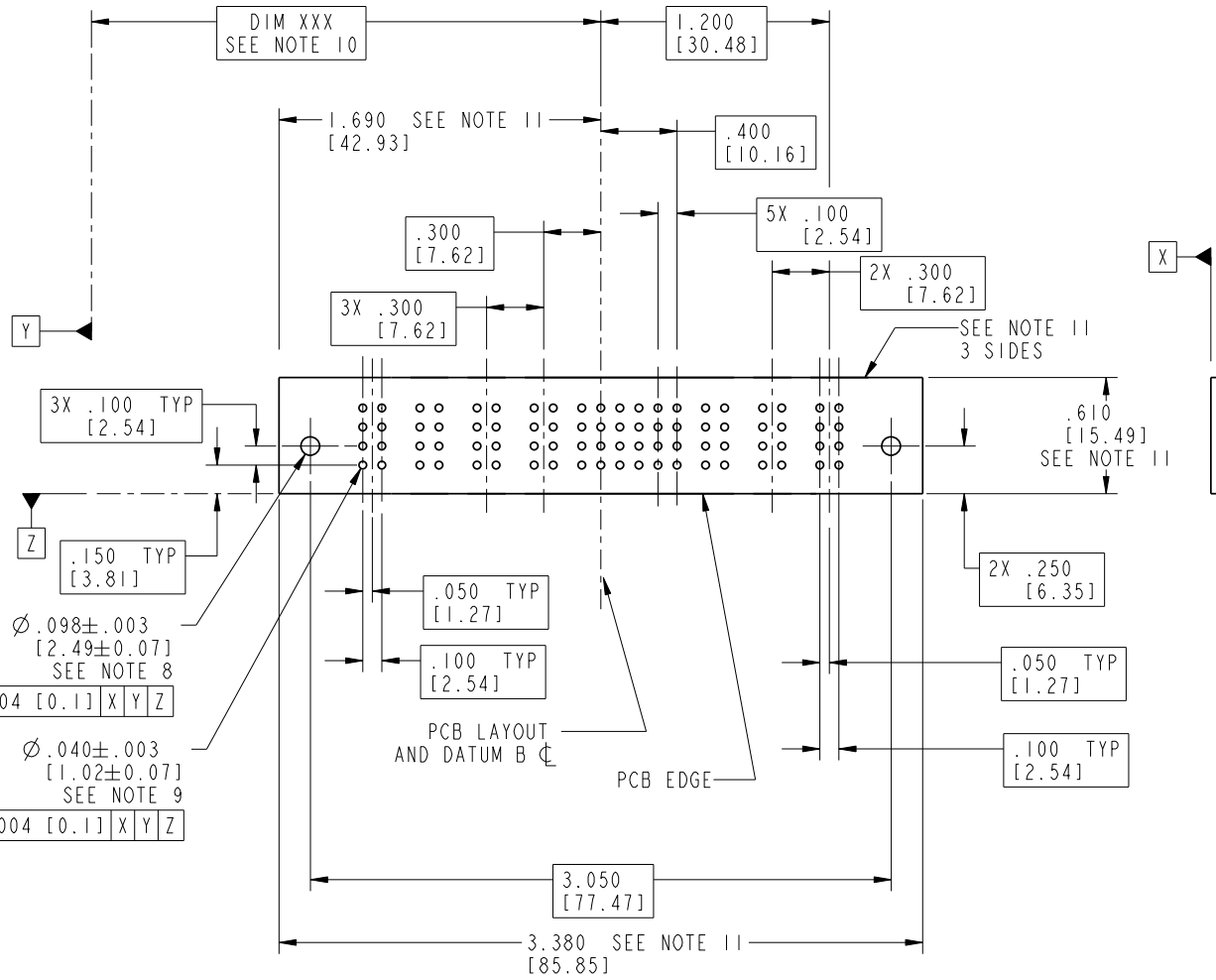
Printed: Dec 20, 2010

Tous droits strictement réservés. Reproduction ou communication o des liers interdite sous quelque forme que ce soit sans autorisation écrite du propriétaire. Propriete de c FCI. Droits de reproduction FCI.



All rights strictly reserved. Reproduction or issue to third parties in any form whatever is not permitted without written authority from the proprietor. Property of FCI. Copyright FCI.

PRODUCT NUMBER
51915-031__
NOTE: 3



mat'l code		SEE NOTE 2		tolerances unless otherwise specified		CUSTOMER		FCI		www.fciconnect.com	
lir	ecn no.	dr	date	linear	.XX±.01/0.X±0.3	COPY		projection		title	
B					.XXX±.005/0.XX±0.13			⊕ ↗		3P + 24S + 4P	
				angles	.XXX±.0020/0.XXX±0.051					R/A SOLDER RECEPTACLE	
				dr	0°±2°	INCH/MM		product family		code	
				enrg	D. INGRAM 07/02/03	1:1		PwrBlade		213	
				chr	M. MOSTOLLER 07/02/03			size		sheet	
				appd	M. MOSTOLLER 07/02/03			A 51915-031		3 of 4	
sheet index	revision sheet										

Tous droits strictement réservés. Reproduction ou communication a des tiers interdite sous quelque forme que ce soit sans autorisation écrite du propriétaire. Propriété de c FCI. Droits de reproduction FCI.



All rights strictly reserved. Reproduction or issue to third parties in any form whatever is not permitted without written authority from the proprietor. Property of FCI. Copyright FCI.

1 | 2

3 |

4

PRODUCT NUMBER

51915-031__
NOTE: 3

NOTES:

1. DIMENSIONS AND TOLERANCES ARE IN ACCORDANCE WITH ASME Y14.5M, 1994 UNLESS OTHERWISE SPECIFIED.

CONNECTOR NOTES:

- 2. HOUSING MATERIAL: UL 94 V-0 GLASS FILLED
HIGH-TEMP THERMOPLASTIC
POWER CONTACT MATERIAL: COPPER ALLOY
SIGNAL PIN MATERIAL: COPPER ALLOY
- 3. 51915-031;51915-031LF;51915-031GLF PLATING SPEC. SEE PRINT:10064183
- 4. MANUFACTURER'S NAME, P/N, AND DATE CODE TO APPEAR ON THIS SURFACE.
- 5. PRODUCT SPECIFICATION GS-12-149.
APPLICATION SPECIFICATION BUS-20-067.
- 6. PACKAGED IN TRAYS.

PCB NOTES:

- 7. ALL HOLE DIAMETERS ARE FINISHED HOLE SIZE.
- 8. MOUNTING HOLES, WHERE APPLICABLE, ARE UNPLATED.
- 9. $\varnothing .0453 \pm .0010$ [1.151 \pm 0.025] DRILLED HOLES PLATED WITH .0003 [0.008] MIN SnPb OVER .001 [0.03] TO .003 [0.08] Cu PLATING TO ACHIEVE $\varnothing .040 \pm .003$ [1.02 \pm .07] HOLE.
- 10. "DIM XXX" TO BE DETERMINED BY THE CUSTOMER.
- 11. CONNECTOR KEEP-OUT ZONE.

mat'l code		SEE NOTE 2		tolerances unless otherwise specified		CUSTOMER		FCI		www.fciconnect.com	
lir	ecn no.	dr	date	linear	.XX \pm .01/0.X \pm 0.3	COPY		projection		title	
B					.XX \pm .005/0.XX \pm 0.13	A				3P + 24S + 4P	
				angles	.XXX \pm .0020/0.XXX \pm 0.051	INCH/MM				R/A SOLDER RECEPTACLE	
				dr	D. INGRAM 07/02/03	scale		product family		code	
				engr	M. MOSTOLLER 07/02/03	1:1		PwrBlade		213	
				chr	M. MOSTOLLER 07/02/03			size		sheet	
				appd	M. MOSTOLLER 07/02/03			A		4 of 4	
sheet index	revision sheet										

1 | 2

Pro/E

PDM: Rev: B

STAT: US: Released

Printed: Dec 20, 2010

A

A

B

B

cage code 22506

4