

This document is the property of Amphenol Corporation and is delivered on the express condition that it not be disclosed, reproduced or used, in whole or in part, for manufacture or sale by anyone other than Amphenol Corporation without its prior consent, and that no right is granted to disclose or to use any information in this document.

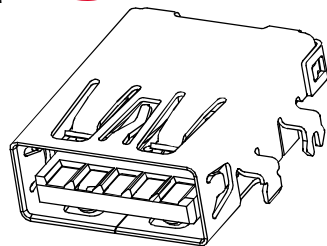
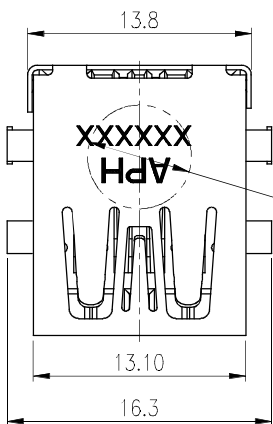
The marking on this product doesn't contain environmental hazardous materials per Material Specification SS-00259 for Sony GP compliant or per directive 2011/65/EU for RoHS compliant.



ORIGINAL



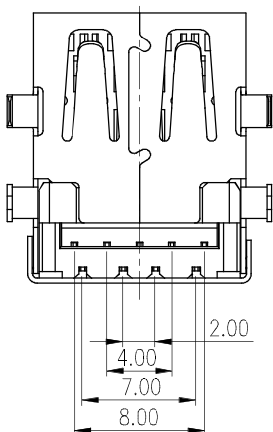
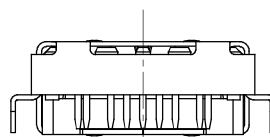
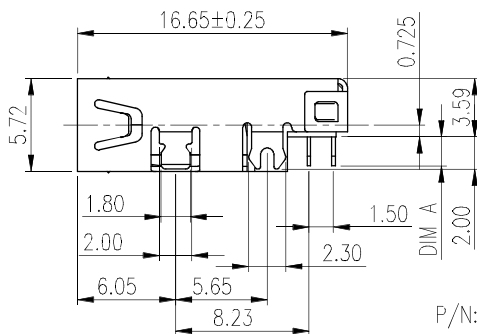
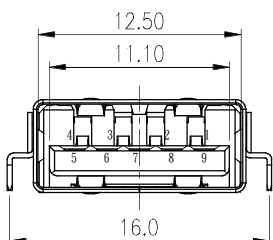
REVISIONS				
SYM	ECN No.	DESCRIPTION	DATE	APPROVED
A	NE-14132	NON-RELEASE TO PRODUCTION	07/08/2014	Arron Lin



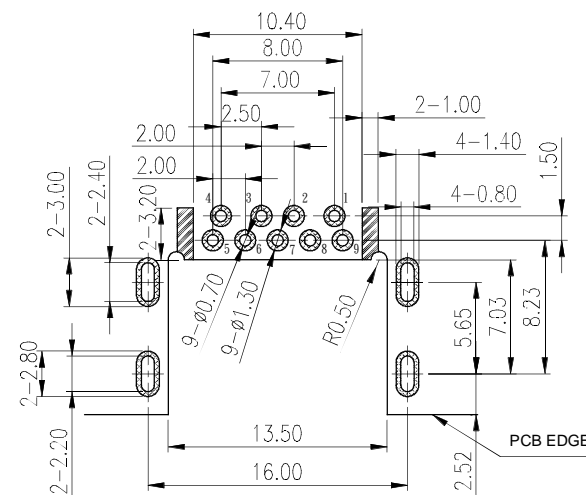
Pin Number	Signal Name
1	VBUS
2	D-
3	D+
4	GND
5	SSRX-
6	SSRX+
7	GND_DRAIN
8	SSTX-
9	SSTX+
Shell	Shield

NOTES:

- MATERIAL:
HOUSING: THERMOPLASTIC, OPTIONS (HALOGEN FREE), UL94V HB COLOR: OPTIONS.
USB2.0 TERMINAL (1~4POS.) : PHOSPHOR BRONZE.
USB3.0 TERMINAL (5~9POS) : BRASS.
SHELL: SUS.
- FINISH:
TERMINAL 2.0 & 3.0 :
CONTACT AREA: SELECTIVE GOLD PLATING.;
SOLDERING AREA: TIN PLATING 100 μ" THICKNESS MIN.;
UNDER PLATING: NICKEL PLATING 50 μ" THICKNESS MIN. OVERALL
SHELL:
NICKEL PLATING 30 μ" THICKNESS MIN. OVERALL.
- PACKING IS PER AMTA PACKING SPECIFICATION PKS-0001.
- THIS PRODUCT DOESN'T CONTAIN ENVIRONMENTAL HAZARDOUS PER DIRECTIVE 2011/65/EU FOR RoHS COMPLIANT.
- PRODUCT SPECIFICATION REFER TO : PS-7530.



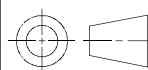
P/N: GSB411B X X X HR
CONTACT FINISH DIM A
1: FLASH GOLD BLANK: 1.80mm
3: 30u" GOLD 1: 3.00mm
HOUSING /COLOR
3: LCP (BLACK)
4: PA9T (BLUE 300C)



RECOMMENDED PCB LAYOUT
TOP VIEW
TOLERANCE: ±0.05mm
PCB THICKNESS: 1.20±0.05mm

KEEP OUT AREA
RECOMMENDED SOLDER PAD AREA

TOLERANCE	APPROVALS	DATE	TITLE			Amphenol®		
X. X.X ±0.30 X.XX ±0.20 X.XXX ±0.10	DRAWN Debby Hung	07/08/2014	USB 3.1 TYPE A R/A REVERSE CH=0.725mm SINK DIP TYPE			Amphenol Corporation Amphenol Taiwan Corporation		
	CHECKED Roger Tsai	07/08/2014						
	APPROVED Arron Lin	07/08/2014						
ANGULAR ±1°	DWG TYPE CUST DWG	PROJECT CODE OTHER	UNIT mm	SCALE NA	SIZE A3	SHEET 1 OF 2	PART No. GSB411BXXXHR	REV. A
UNLESS OTHERWISE SPECIFIED			DVG No.		GSB411BXXXHR			



This document is the property of Amphenol Corporation and is delivered on the express condition that it not be disclosed, reproduced or used, in whole or in part, for manufacture or sale by anyone other than Amphenol Corporation without its prior consent, and that no right is granted to disclose or to use any information in this document.

The marking on this product doesn't contain environmental hazardous materials per Material Specification SS-00259 for Sony GP compliant or per directive 2011/65/EU for RoHS compliant.

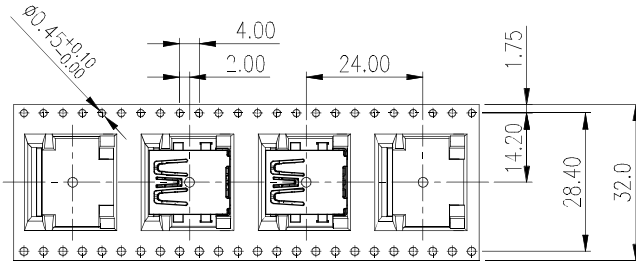


ORIGINAL

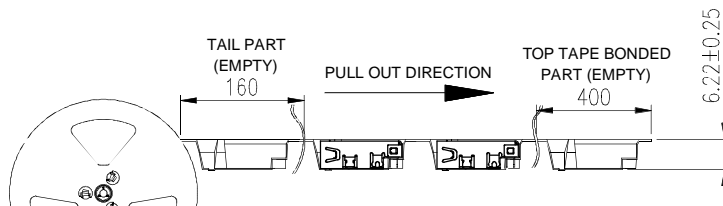


REVISIONS

SYM	ECN No.	DESCRIPTION	DATE	APPROVED
A	NE-14132	NON-RELEASE TO PRODUCTION	07/08/2014	Arron Lin

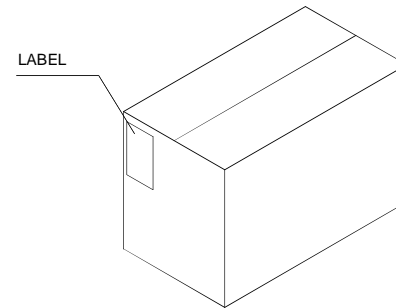
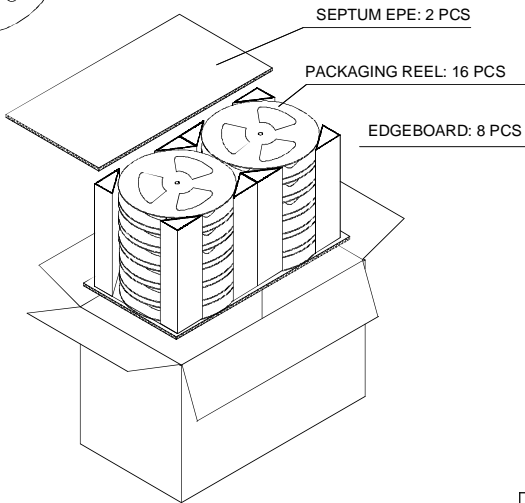


REEL SIZE	PARTS PER CARTON<S.P.Q>	PARTS PER REEL	TOTEL REEL PER CARTON
ø330	7200	450	16



NOTES:

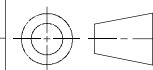
1. STAPLES SHOULD ONLY BE USED TO SET UP CARTON. ALL CARTON CLOSURES MUST BE DONE WITH TAPE.
2. FILL PACKAGING TRAYS WITH THE QUANTITIES AS INDICATED IN THE CHART.
3. SHIPPING CARTON DIMENSION: 690 X 360 X 325mm.
4. NET WEIGHT: 13.7 KG.
GROSS WEIGHT: 24.2 KG.



TOLERANCE	APPROVALS	DATE	TITLE		PART No.	
X. X.X ±0.30 X.XX ±0.20 X.XXX ±0.10	DRAWN Debby Hung	07/08/2014	USB 3.1 TYPE A R/A REVERSE CH=0.725mm SINK DIP TYPE		GSB411BXXXHR	
ANGULAR ±1°	CHECKED Roger Tsai	07/08/2014			REV. A	
UNLESS OTHERWISE SPECIFIED	APPROVED Arron Lin	07/08/2014	UNIT mm SIZE A3		DVG No. GSB411BXXXHR	
	DWG TYPE CUST DWG	PROJECT CODE OTHER	SCALE NA SHEET 2 OF 2			

Amphenol®

Amphenol Corporation
Amphenol Taiwan Corporation



UNIT mm SIZE A3
SCALE NA SHEET 2 OF 2

PART No. GSB411BXXXHR
DVG No. GSB411BXXXHR REV. A