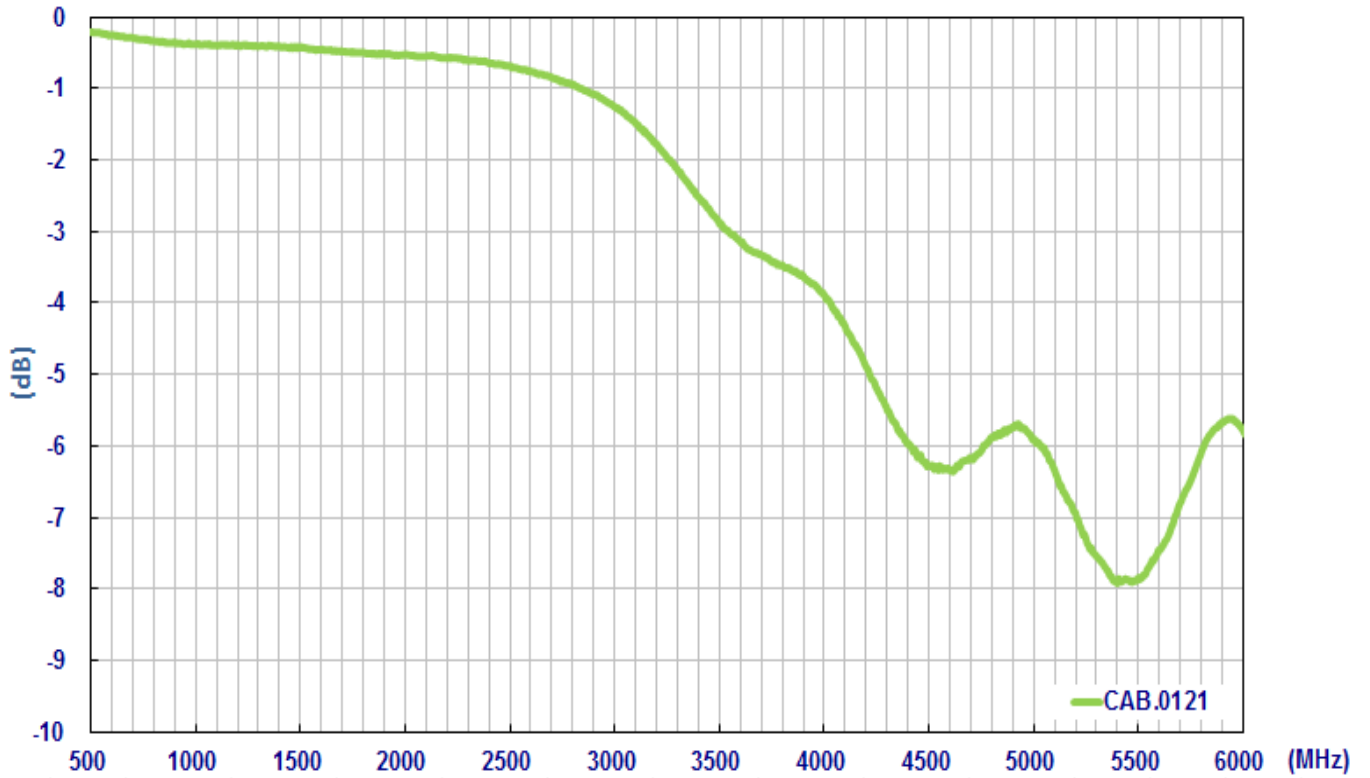


SPECIFICATION

- Part No. : **CAB.0121**
- Product Name : Taoglas Cable Assembly
SMA(F) Bulkhead Jack Straight to
FME(F) Straight
with 100mm RG-174 cable
- Photo :

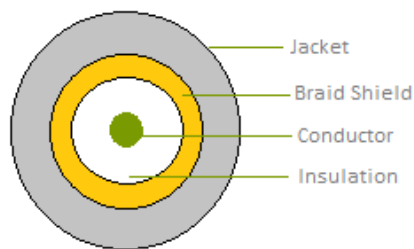


1. Cable Insertion Loss

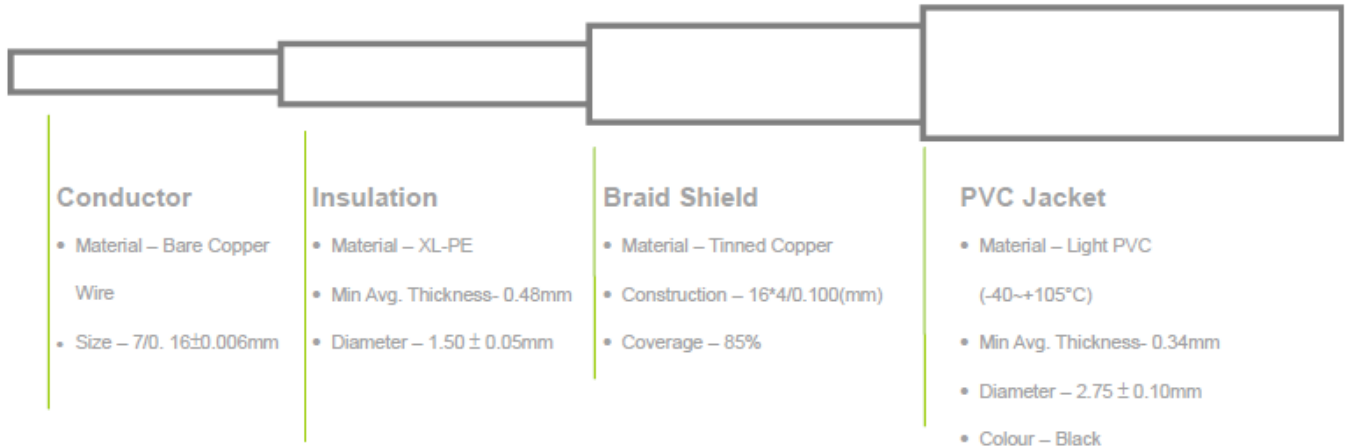


2. RG-174 Cable Specification

2.1 Drawing – Cross Section



2.2 Structure and Dimensions

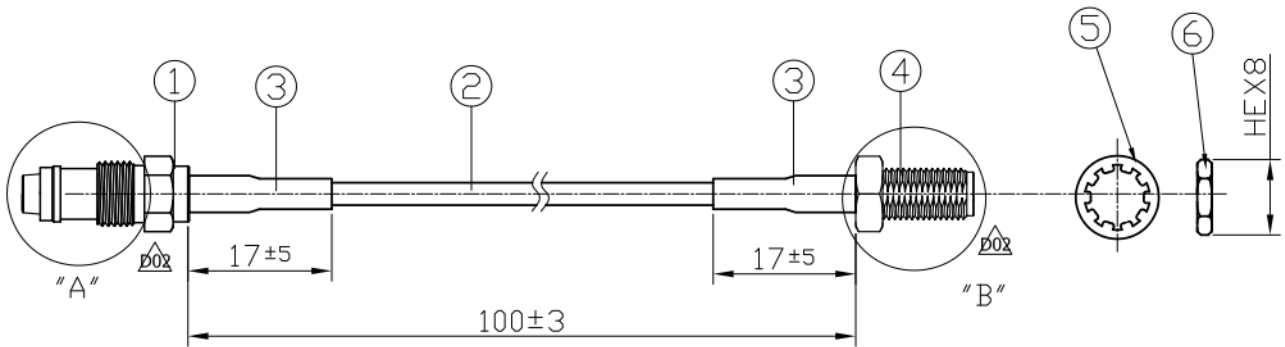


2.3 Electrical & Physical Specification

| | | |
|---|------------------------|---|
| 1 | Temperature rating: | 80°C |
| 2 | Voltage Rating: | 30V |
| 3 | Insulation Resistance: | 10MΩ-Km (Min) at 20°C dc 500V(EIA-364-21) |
| 4 | Conductor Resistance: | 20°C 26 AWG: 148.96 Ω/Km (Max) |
| 5 | Capacitance: | 30.8pf/ft |
| 6 | Dielectric Strength | AC 500V/1 minute no breakdown (EIA-364-20) |
| 7 | Impedance: | 10MHz~3GHz 50 ± 5 Ω |
| 8 | Standard Attenuation: | 100MHz 8.4 dB/100ft |
| | | 200MHz 12.5 dB/100ft |
| | | 400MHz 19.0 dB/100ft |
| | | 900MHz 31.0 dB/100ft |
| | | 1GHz 34.0 dB/100ft |
| | | 1.8GHz 49.4 dB/100ft |
| | | 2.34GHz 53.0 dB/100ft |

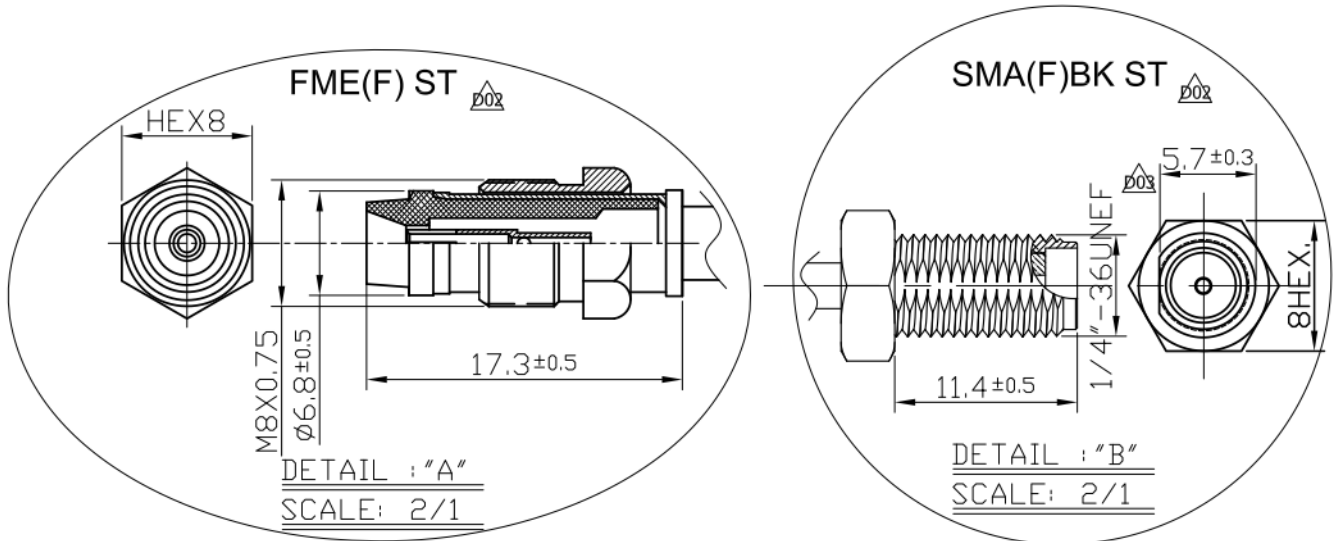
3. Technical Drawing

3.1 CAB.0121



| | Name | Material | Finish | QTY |
|---|---------------------|----------|-----------|-----|
| ① | FME(F) ST | Brass | Ni Plated | 1 |
| ② | RG174 Coaxial Cable | PVC | Black | 1 |
| ③ | Heat Shrink Tube | PE | Black | 2 |
| ④ | SMA(F) BK ST | Brass | Gold | 1 |
| ⑤ | Washer | Brass | Gold | 1 |
| ⑥ | Nut | Brass | Gold | 1 |

3.2 Connectors



3.3 Recommended Mounting Hole – SMA(F) Bulkhead

