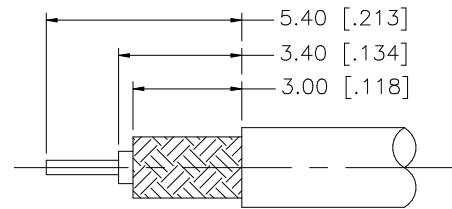
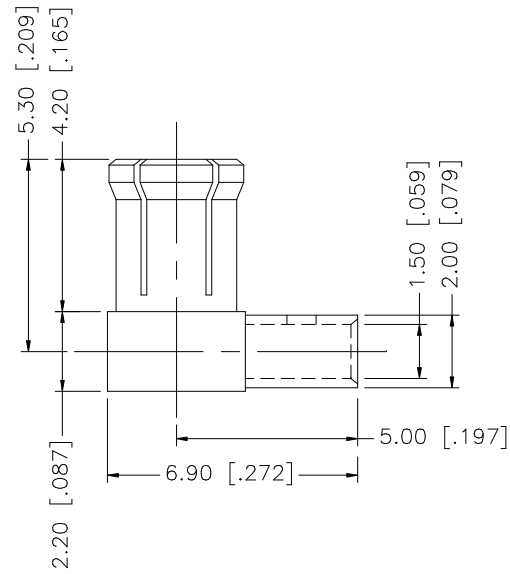
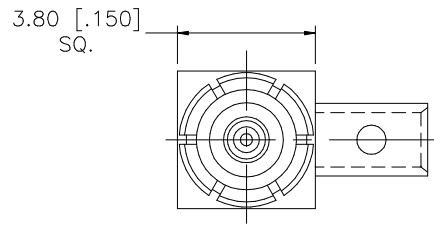


REV.	DATE	DESCRIPTION
A	01/30/04	UPDATE DRAWING FORMAT



RECOMMENDED CABLE STRIPPING DIMENSIONS

8				<small>UNLESS OTHERWISE SPECIFIED DIMENSIONS ARE IN MILLIMETERS; DIMENSIONS IN [] ARE IN INCHES AND FOR CUSTOMER REFERENCE ONLY.</small> <small>UNLESS OTHERWISE SPECIFIED TOLERANCES FOR MILLIMETERS ARE:</small> 0.5 - 8mm ± 0.20mm 8 - 30mm ± 0.40mm 30 - 120mm ± 0.50mm <small>UNLESS OTHERWISE SPECIFIED TOLERANCES FOR INCHES ARE:</small> .020 - .315 = ± 0.007" .315 - 1.180 = ± 0.015" 1.180 - 4.724 = ± 0.020"	APPROVALS	DATE	<h1 style="color: blue; margin: 0;">Amphenol Connex</h1>	
7			DRAWN		G.R.S.	01/30/04		<small>PART DESCRIPTION</small> MCX R/A SOLDER PLUG – LOW PROFILE (FOR RG-178B/U, 196A/U CABLE)
6			CHECKED					
5			ISSUED					
4			SHEET		1 OF 1			
3	CONTACT PIN	BRASS	GOLD	1			<small>PART NO.</small>	252135-10
2	INSULATOR	TEFLON	NATURAL	1			<small>DWG. NO.</small>	252135-10.DWG
1	HOUSING/BODY	BRASS	GOLD	1			<small>REV.</small>	A
	DESCRIPTION	MATERIAL	FINISH	QTY	DO NOT SCALE DRAWING	<small>CAD FILE</small> C:/252/225135-10.DWG	<small>SIZE</small>	A
							<small>SCALE</small>	NA