

5

4

3

2

1

D

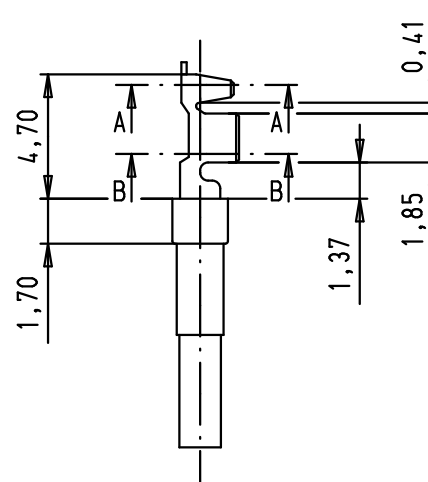
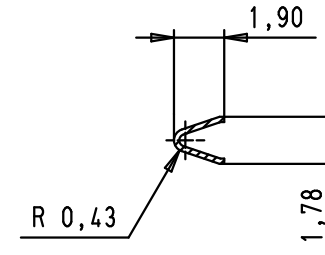
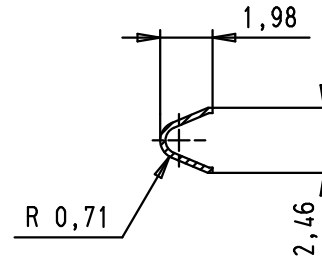
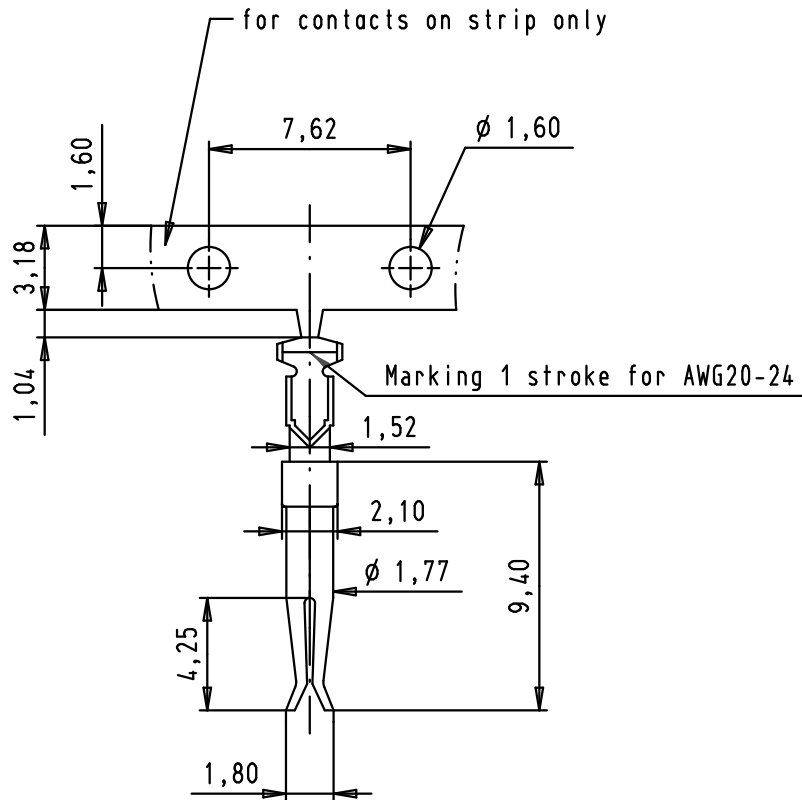
C

B

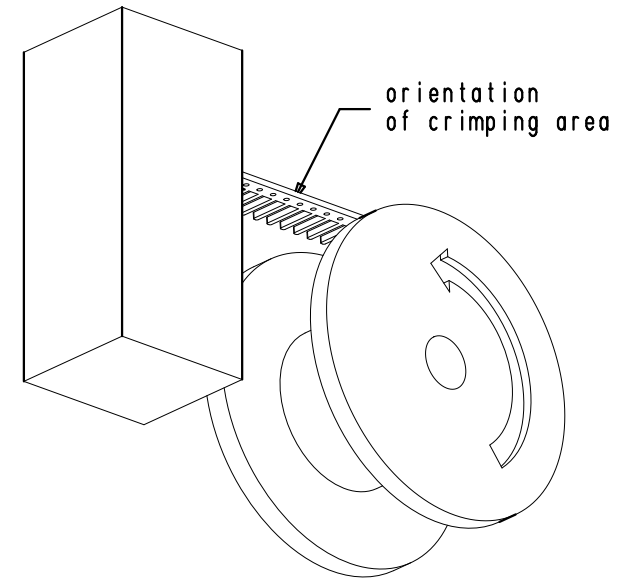
A

Section A-A

Section B-B

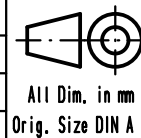


Reel unrolling right reversed



Base material: brass  
 Plating: sliding contact selective gold plated over nickel  
 nickel plated crimp area  
 Number of contacts per reel: 10000

				Dat.	Name
			Detail.	24/03/03	PP
36288	13/01/12	SD	Insp.	13/01/12	JB
33986	24/04/07	PK	Stand.		
33242	17/10/05	JMDR	HARTING EURL F-95972 Paris		
31476	24/03/03	PP			
Mod.	Dat.	Name			



D-Sub, stamped female  
 AWG 20-24 crimp contact, reel  
 unrolling right reversed

Maßstab/  
Scale  
3,5:1

09 67 000 8238	PL2
09 67 000 8237	PL3
09 67 000 8236	PL1
Part number	Performance level

TB 09 67 000 823X

Blatt/ Page  
1 / 1

Sub.

