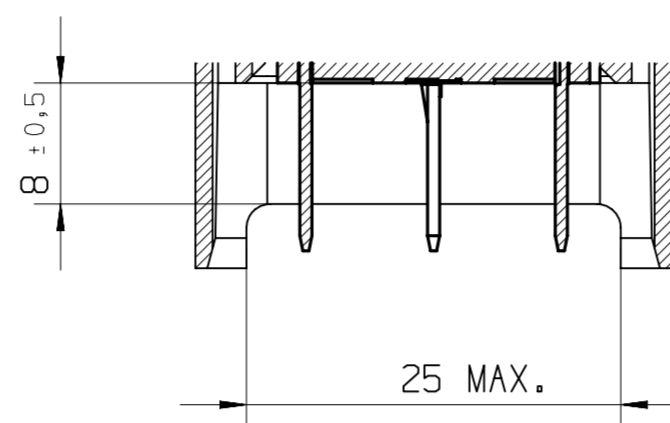
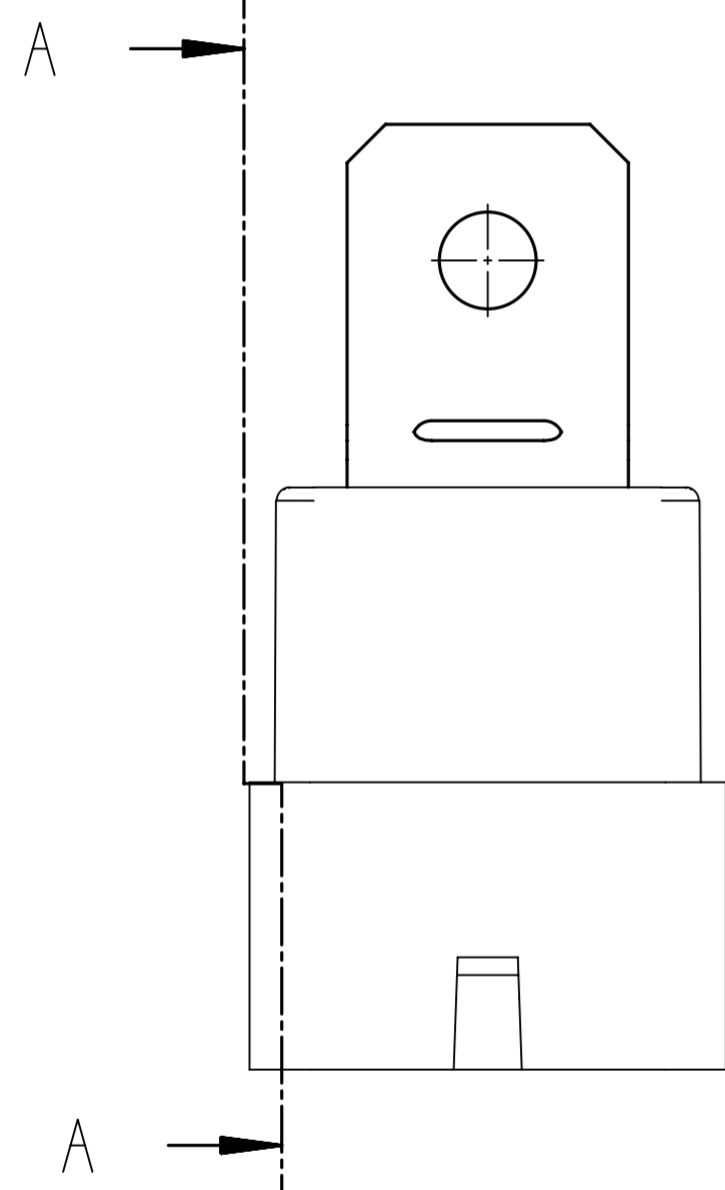
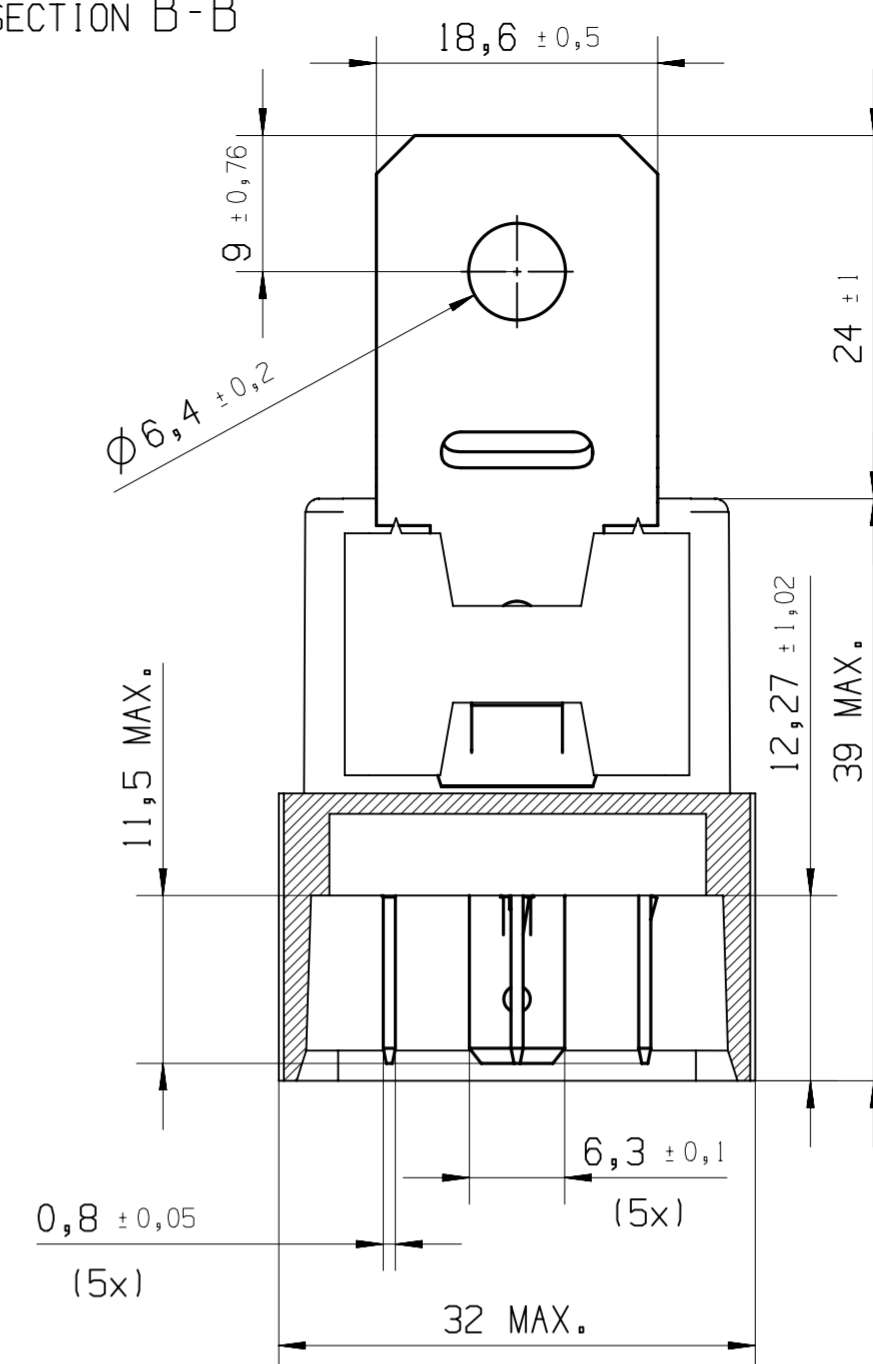


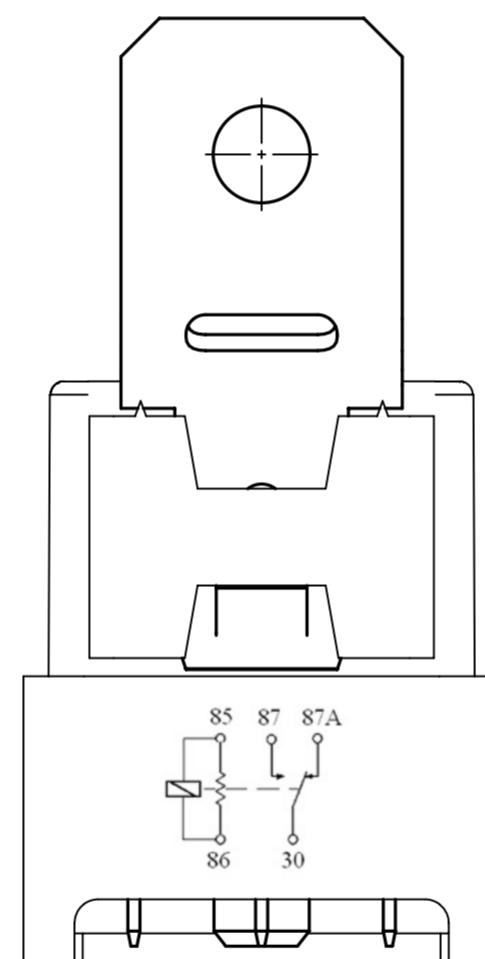
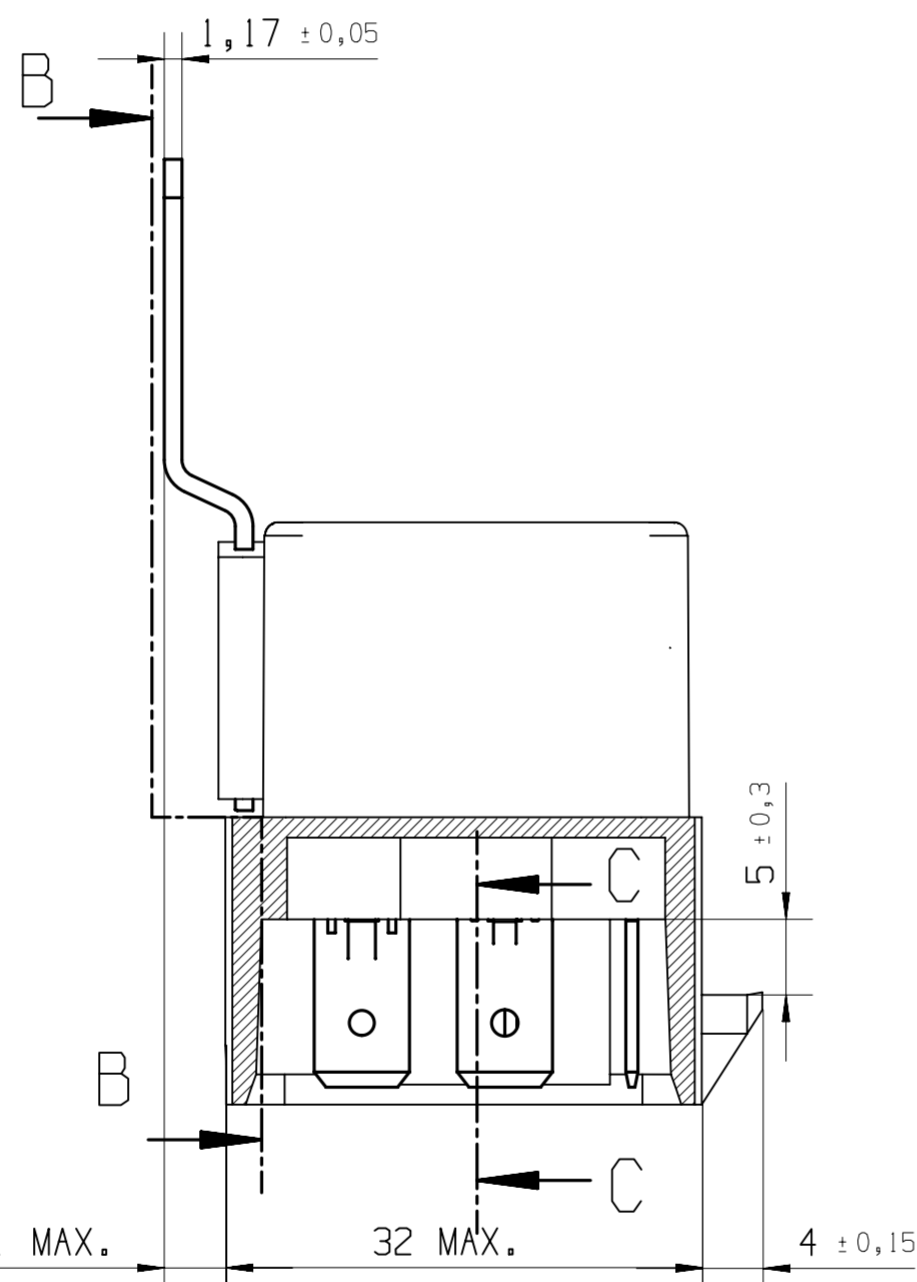
SECTION C-C



SECTION B-B

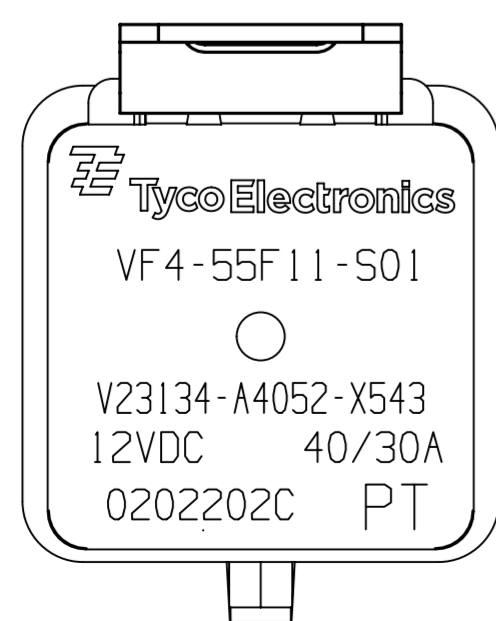


SECTION A-A

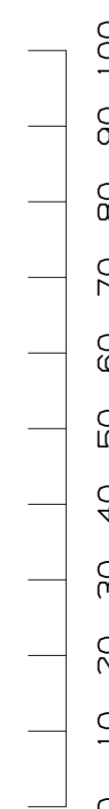


\* TERMINAL LOCATIONS APPLY AT THE BASE OF THE TERMINAL

MARKING LASER MARKED OR WITH INK PRINTED OR INJECTION MOLDED TO INCLUDE: MANUFACTURER'S NAME, MANUFACTURER'S PART NUMBER, SCHEMATIC, COIL VOLTAGE, CONTACT RATING, COUNTRY OF ORIGIN AND DATE CODE



TE P/N	PART NAME
2-1904131-9	V23134-A4052-X543



PROPRIETARY THE REPRODUCTION, TRANSMISSION OR USE OF THIS DOCUMENT OR IT'S CONTENTS IS NOT PERMITTED WITHOUT EXPRESSED WRITTEN AUTHORITY. OFFENDERS WILL BE LIABLE FOR ALL DAMAGES. ALL RIGHTS, INCLUDING RIGHTS CREATED BY REGISTERED PATENT(S) GRANTED FOR A UTILITY MODEL OR DESIGN, ARE RESERVED.		CHANGES TO THIS DRAWING MUST BE DONE ONLY IN CAD	PAPER SIZE <b>A2</b>
APPLICABLE SPEC.: Replacement for VF4-55F11-S01		FINISH DIMENSIONS APPLY PLATING	SCALE <b>2:1</b>
TOLERANCE UNLESS SPECIFIED OTHERWISE DIMENSIONS IN MM		MATERIAL	WEIGHT
DATE NAME DWN. 30NOV2016 L.Sandoval APP. REV.		PART NAME <b>POWER F RELAY CHANGE OVER</b>	
LOCATION PE EVORA		DWG NO. <b>C - V23134-A4052-X543</b>	
AI Initial Release 30NOV2016 L.Sand A --- 21OCT2016 L.Sand	DATE APP.	SHT. OF 1 <b>1</b>	
REV. CHANGE ORDER		CUSTOMER DRAWING	

