

THIS DRAWING IS UNPUBLISHED. RELEASED FOR PUBLICATION
 © COPYRIGHT BY TYCO ELECTRONICS CORPORATION. ALL RIGHTS RESERVED.

LOC	DIST	REVISIONS					
		P	LTR	DESCRIPTION	DATE	DWN	APVD
FT	0	A		REVISED PER ECO-07-023317	12/17/07	SS	MS

SPECIFICATIONS:

MATERIALS:

FIXED CONTACT: BRASS, SILVER OVER NICKEL PLATED.
 FRAME: STEEL, TIN PLATED.
 MOVABLE CONTACT: PHOS. BRONZE, SILVER PLATED.
 TERMINAL BOARD: BAKELITE.

ELECTRICAL:

CONTACT RATING: 0.3A @ 125VAC.
 INITIAL CONTACT RESISTANCE: 20 MILLIOHMS MAX.
 INSULATION RESISTANCE: 100 MEGAOHMS MIN @ 500VDC.
 DIELECTRIC STRENGTH: 500VAC.

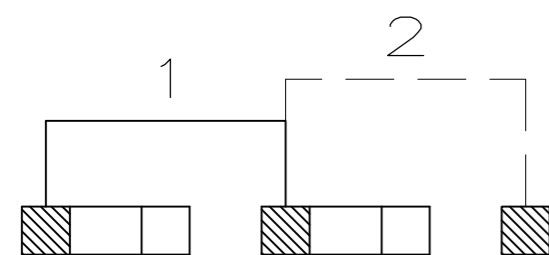
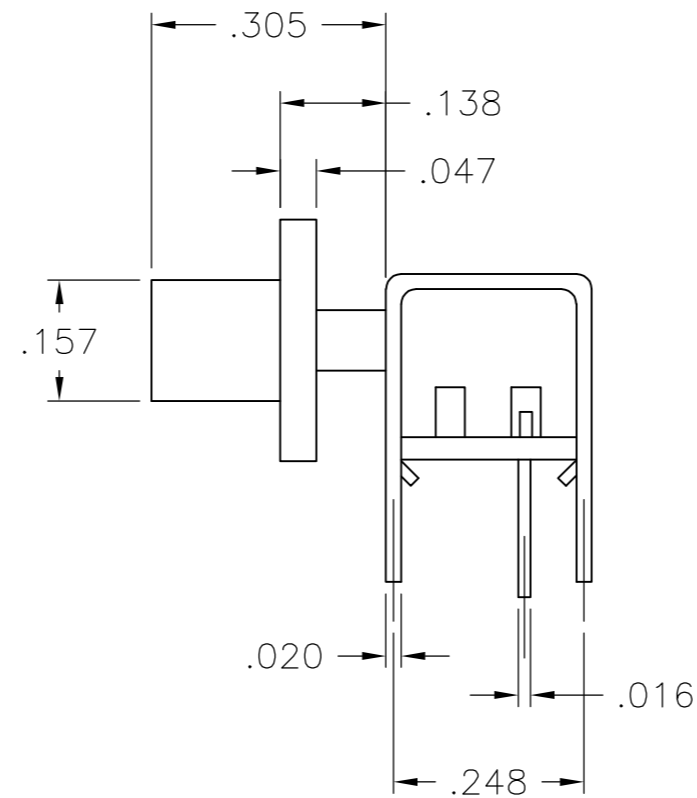
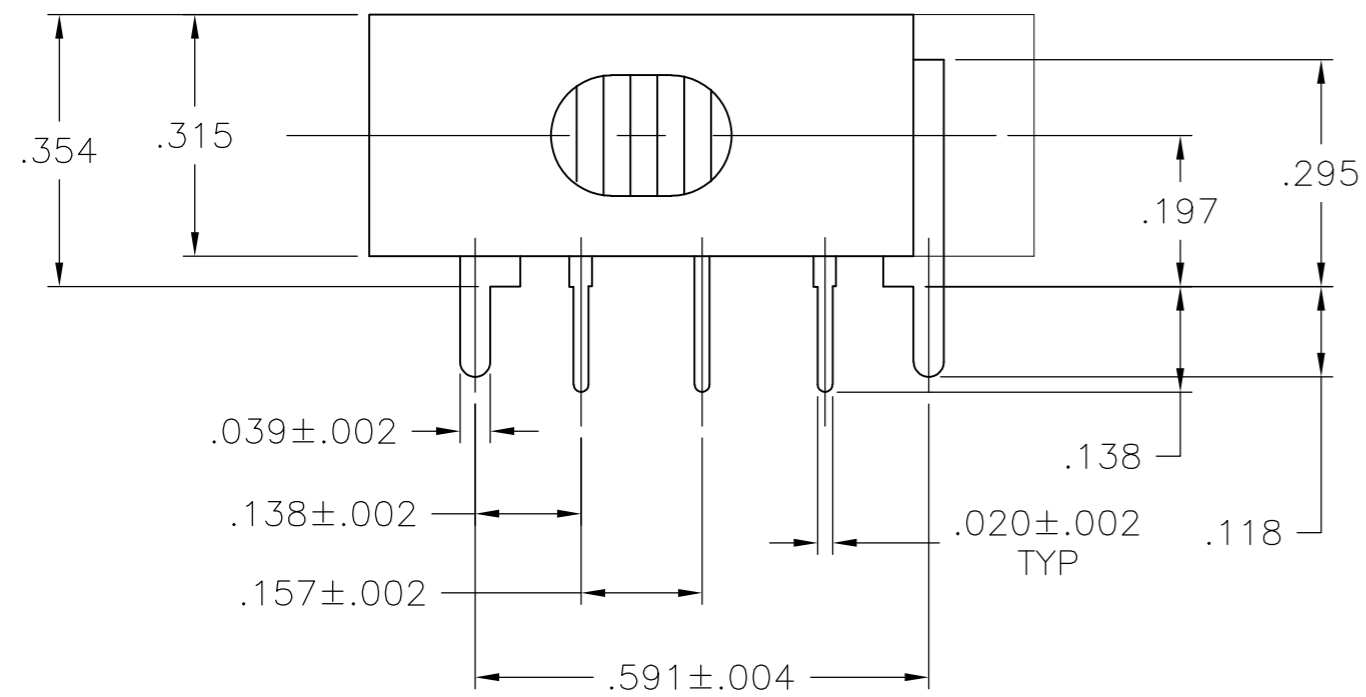
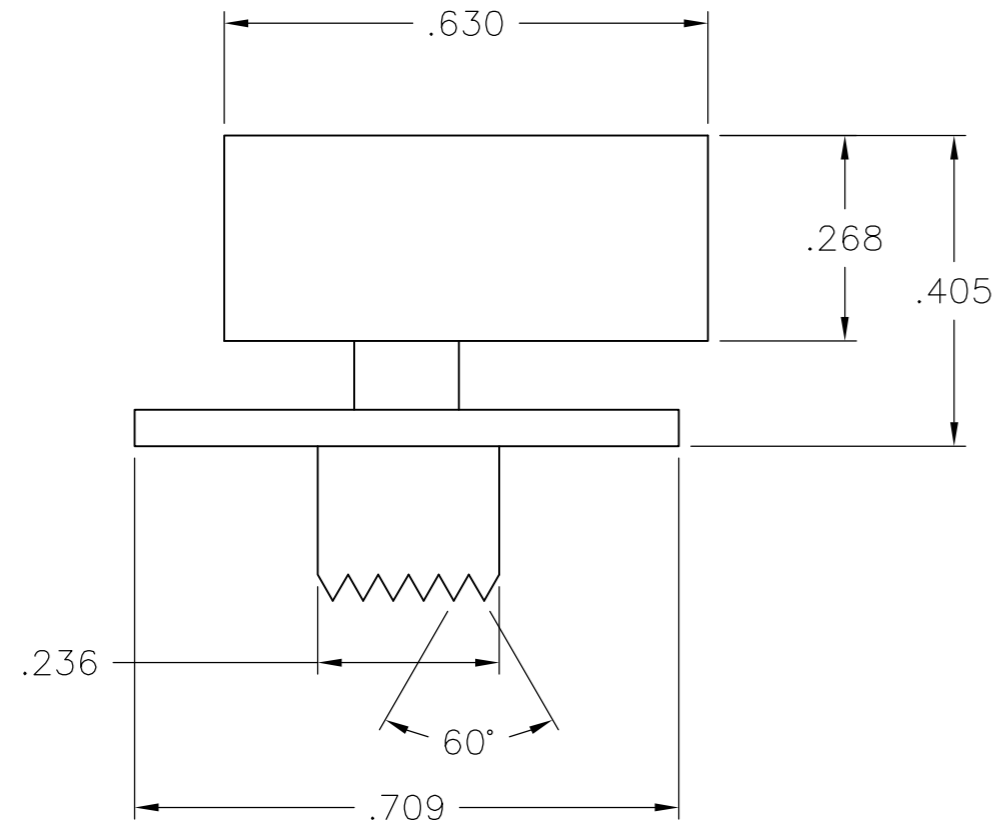
MECHANICAL:

ACTUATOR TRAVEL: .158"
 ACTUATOR FORCE: 100 TO 700 GF.

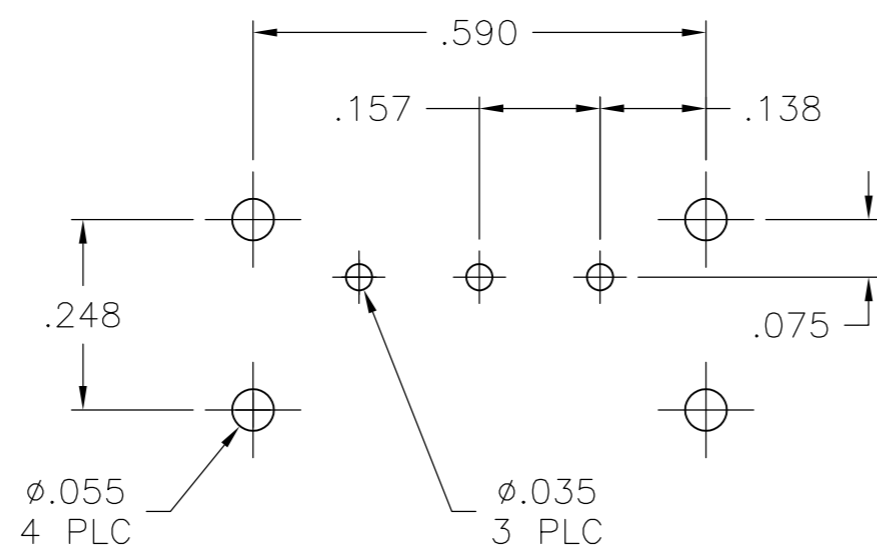
ENVIRONMENTAL:

OPERATING & STORAGE TEMP.: -10°C TO +60°C.
 MECHANICAL LIFE: 10,000 CYCLES MIN.

- ALL MATERIALS AND FINISHES SHALL COMPLY WITH EU DIRECTIVE 2002/95/EC OF 27JAN2003 (ROHS).



SCHEMATIC



P.C.B. LAYOUT

GRAY	SDS1240RA8	1437577-3
BLACK	SDS1240RA0	1437577-2
COLOR	CATALOG NUMBER	PART NUMBER

THIS DRAWING IS A CONTROLLED DOCUMENT.		DWN	S SCHLEGEL	17DEC2007	Tyco Electronics Corporation Harrisburg, PA 17105-3608		
DIMENSIONS: INCHES		CHK	M SARVER	12/17/07	NAME SDS1240RAX, SLIDE SWITCH		
TOLERANCES UNLESS OTHERWISE SPECIFIED:		APVD	M SARVER	12/17/07	PRODUCT SPEC		
0 PLC ± -		APPLICATION SPEC		SIZE			
1 PLC ± -		-		CAGE CODE		DRAWING NO	
2 PLC ± -		-		00779		1437577-2	
3 PLC ± .008		-		SCALE		SHEET	
4 PLC ± -		-		4:1		1 of 1	
ANGLES ± 1°		-		REV		A	
FINISH		-		CUSTOMER DRAWING			

1437577-2

A