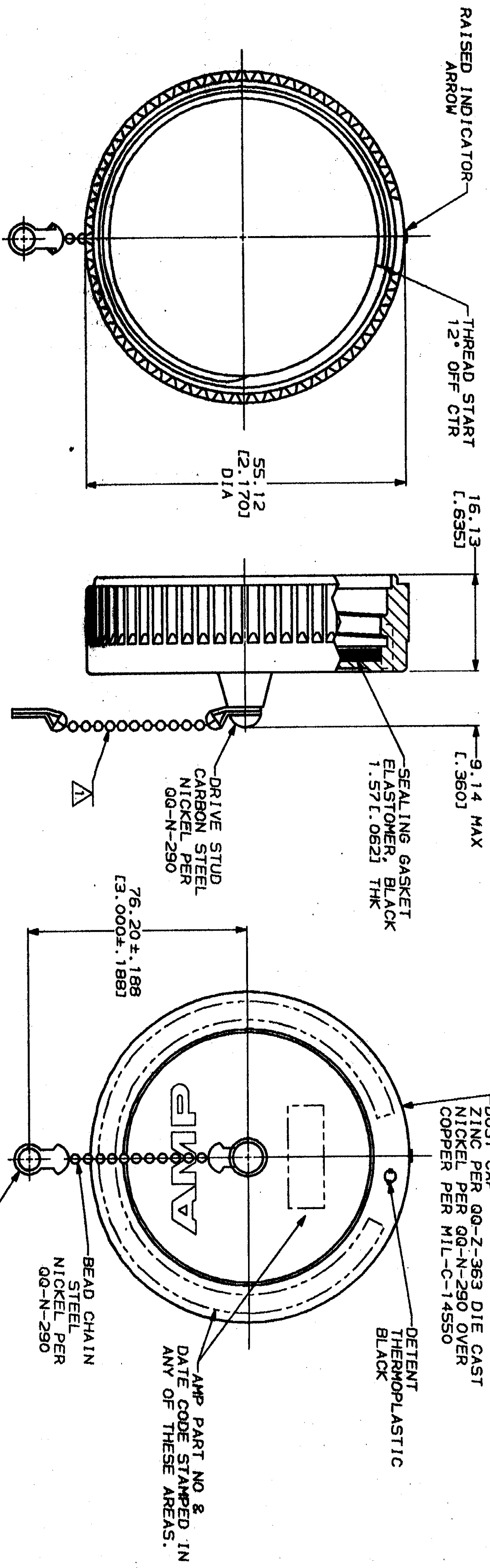


DRAWING MADE IN THIRD ANGLE PROJECTION
 THIS DRAWING IS UNCLASSIFIED
 DATE 10/26/95 BY 1036/SS/SL

REV	NO	DATE	APPD	DESCRIPTION
23	BD 39			REVISION & REV ECH B05241



△ BEADED PORTION OF CHAIN MUST ROTATE FREELY. THE EYELET OF THE CHAIN IS NOT REQUIRED TO SPIN FREELY AROUND THE STUD.

DO NOT SCALE PRINT. UNLESS SPECIFIED DIMENSIONS IN MM (INCHES) TOLERANCES ON: 1. PLC DEC ± 0.25 [L.010] ANGLES ± 0.5° MATERIAL: SEE CALLOUTS		DR 08/13/91 R. SHIREY	DR 08/13/91 R. SHIREY	AMP Incorporated Harrisburg, PA 17105-3608
FINISH: SEE CALLOUTS		CHK R. Shaw 9-5-91	APPD K. Blawie 9-17-91	NAME: PROTECTIVE CAP ASSEMBLY, SIZE 28, CMC
APPLICATION SPEC		APPD J. Johnson 9/19/91	PRODUCT SPEC	

SCALE: 2:1	CAGE CODE: 00779	DRAWING NO: 211904
WEIGHT: -	SIZE: C	SHEET: 1 OF 1

CUSTOMER DRAWING