

NOTES:

1.0 ELECTRICAL SPECIFICATIONS:

1.1 FREQUENCY RANGE: 2.0 to 18.0 GHz

1.2 INSERTION LOSS: 1.2dB MAX.

1.3 ISOLATION: 18dB MIN.

1.4 VSWR: 1.60:1 MAX.

1.5 OUTPUT UNBALANCE:

1.5.1 AMPLITUDE: 0.5dB MAX.

1.5.2 PHASE: 5° MAX.

1.6 MAXIMUM INPUT POWER: 10.0 WATTS

(WITH OUTPUT LOADS WITH VSWR ≤ 2.0:1)

1.7 OPERATING TEMP. RANGE: -65°C to +125°C

2.0 FINISHING

2.1 GREY OVER MIL-E-15090 TYPE II, CLASS 2

OVER MIL-C-5541 CLASS 3A

MEETS MIL-F-14072

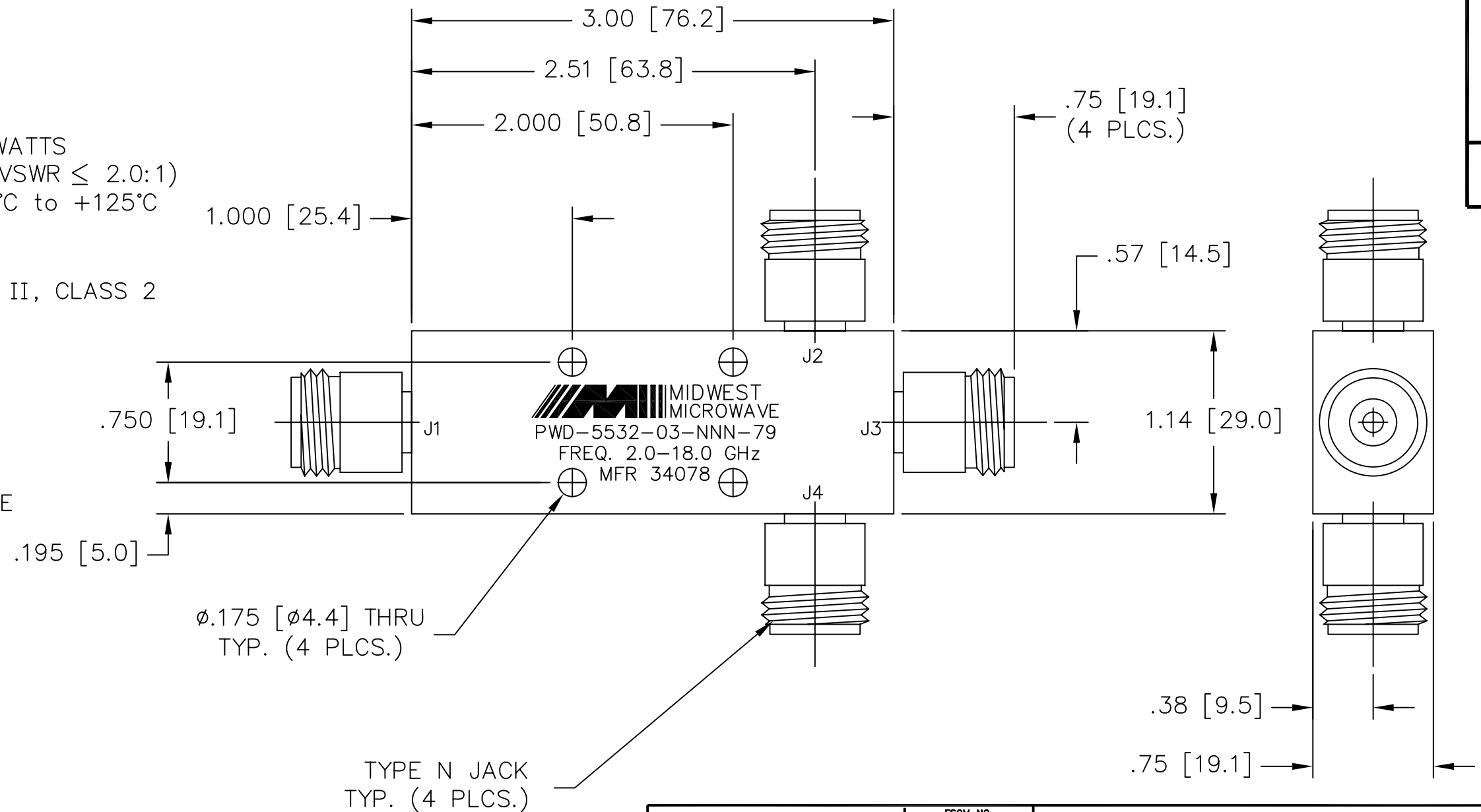
MEETS MIL-E-5400

2.2 MARK UNIT AS SHOWN.

(REF.: SLK-08151-82-01)

3.0 DIMENSIONS IN PARENTHESIS ARE

IN MILLIMETERS.



MODEL NUMBER
PWD-5532-03-NNN-79
REV.
B

REV.	DESCRIPTION	DATE
-	RELEASED	9/1/04
A	ECN 20076	9/13/04
B	ECN 20198	11/19/04

UNLESS OTHERWISE NOTED DIMENSIONS ARE IN INCHES AND TOLERANCES ARE:		FSCM NO. 34078		MIDWEST MICROWAVE	
3 PLACE DECIMALS ±.005		NOTICE: The information contained in this drawing is proprietary and must not be used without the permission of Midwest Microwave		TITLE POWER DIVIDER	
2 PLACE DECIMALS ±.02				DRAWING NUMBER PWD-5532-03-NNN-79	
FRACTIONS ±1/64		DRAWN/DATE S.ORLOV 8/31/04	ENG./DATE P.GOODMAN 8/31/04	SCALE: 1=1	
PARALLELITY: T.I.R. _____		CHECKED/DATE	APPROVED/DATE	SHEET 1 of 1	
FLATNESS: T.I.R. _____					
CONCENTRICITY: T.I.R. _____					
ANGLES AND PERPENDICULARITY: ±1°					