

Connector - SACC-MSD-4PCT-SH PN SCO - 1414089

Please be informed that the data shown in this PDF Document is generated from our Online Catalog. Please find the complete data in the user's documentation. Our General Terms of Use for Downloads are valid (<http://phoenixcontact.com/download>)



Connector, PROFINET CAT5 (100 Mbps), 4-position, halogen-free, shielded, Plug straight M12, D-coded, Crimp connection, Knurl material: Zinc die-cast, nickel-plated, External cable diameter 5.5 mm ... 10 mm, with crimp contacts

Product Features

- Safe use in the field, thanks to a high degree of protection
- Flexible: connectors for on-site assembly
- Save time, thanks to installation with SPEEDCON fast locking system
- Reliable signal transmission - 360° shielding in environments with electromagnetic interference



Key Commercial Data

Packing unit	1 pc
Weight per Piece (excluding packing)	20.0 g
Custom tariff number	85366990
Country of origin	China

Technical data

Dimensions

Wrench size, union nut	15 mm
External diameter	5.5 mm ... 10 mm
Stripping length of the sheath	26 mm
Stripping length of the individual wire	4.5 mm +0,5 mm

Ambient conditions

Degree of protection	IP65
	IP67

General

Note	This product corresponds to the PROFINET Cabling and Interconnection Technology Guideline for PROFINET regulations, version 2.00, order
------	---

Connector - SACC-MSD-4PCT-SH PN SCO - 1414089

Technical data

General

	no: 2.252, Chapter 8.2 Connectors for Outside Environment (Balanced cabling)
Rated current at 40°C	4 A
Rated voltage	60 V DC
	48 V AC
Number of positions	4
Insulation resistance	≥ 100 Ω
Coding	D - data
Standards/regulations	M12 connector IEC 61076-2-101
	Shock, vibration EN 50155:2001
Signal type/category	PROFINET CAT5 (IEC 11801), 100 Mbps
Status display	No
Overvoltage category	II
Pollution degree	3
Connection method	Crimp connection
AWG conductor cross section	22 ... 18
Wire diameter incl. insulation	≤ 2.3 mm
Insertion/withdrawal cycles	≥ 100
Torque	0.4 Nm (M12 knurl)
	Screw plug insert with sleeve housing as far it will go
	5 Nm (Pressure nut with coupling sleeve)
Assembly instructions	This connector includes one seal for small and one seal for large outer cable diameters.

Material

Flammability rating according to UL 94	V0
Contact carrier material	PA 6.6
Material of grip body	Zinc die-cast, nickel-plated
Material, knurls	Zinc die-cast, nickel-plated
Sealing material	FKM
Standards/regulations	PA 6.6: Fire protection in rail vehicles - requirement sets R22, R23, and R24 acc. to DIN EN 45545-2 (Risk level HL1 - HL3)

Classifications

eCl@ss

eCl@ss 5.1	27260701
eCl@ss 6.0	27279221

Connector - SACC-MSD-4PCT-SH PN SCO - 1414089

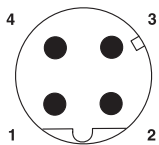
Classifications

ETIM

ETIM 5.0	EC002635
----------	----------

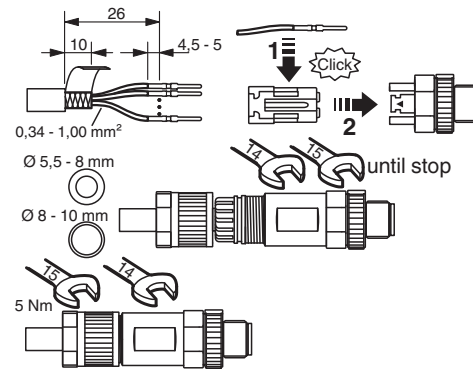
Drawings

Schematic diagram

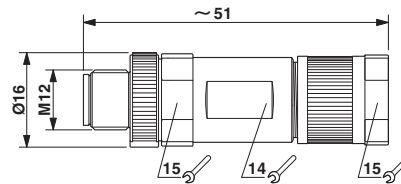


Pin assignment M12 male connector, 4-pos., D-coded, male side

Functional drawing



Dimensional drawing



Plug, M12 x 1, straight, shielded