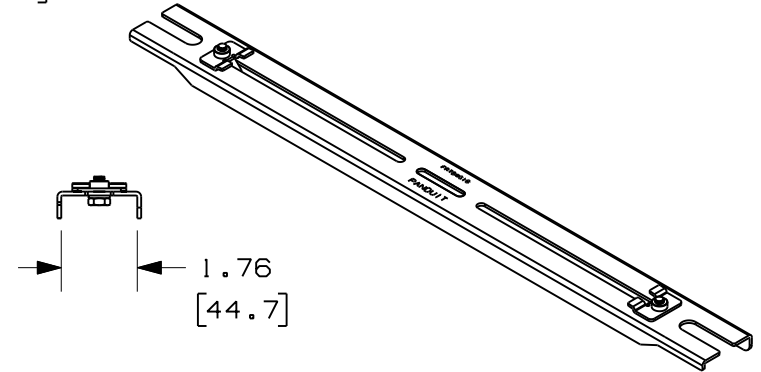
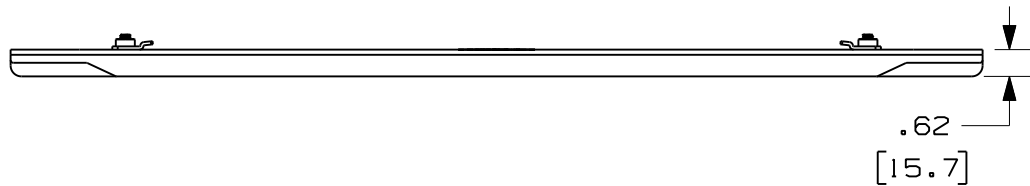
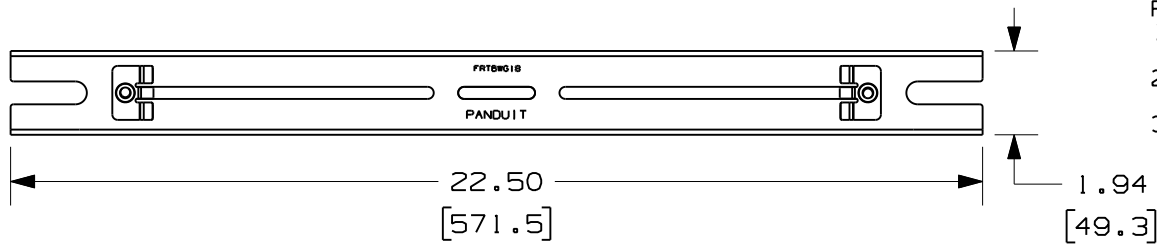


THIS COPY IS PROVIDED ON A RESTRICTED BASIS AND IS NOT TO BE USED IN ANY WAY DETRIMENTAL TO THE INTERESTS OF PANDUIT CORP.

PANDUIT PART NUMBER	WEIGHT
FRTBWG18	1.45 LBS/EACH (657.7 g/EACH)

NOTES:

- PANDUIT PART NUMBER FRTBWG18 INCLUDES:
 1. ONE (1) FIBERRUNNER TRAPEZE BRACKET FOR WYR-GRID 18" PATHWAY
 2. TWO (2) FIBERRUNNER TRAPEZE BRACKET WYR-GRID CLIP ASSEMBLY.
 3. DIMENSIONS IN PARENTHESES ARE METRIC.



CAD FILENAME/LAYERS 10D165AB_DC/00A (FRTBWG18)

PANDUIT CORP. TINLEY PARK, ILLINOIS

FIBERRUNNER TRAPEZE BRACKET FOR WYR-GRID 18" PATHWAY (FRTBWG18)
CUSTOMER DRAWING

UNLESS OTHERWISE SPECIFIED, DIMENSIONAL TOLERANCES ARE: (.X) ± (.XXX) ± (.XX) ± .01 (.3) ANGLES ±	UNLESS OTHERWISE SPECIFIED, ALL DIMENSIONS ARE GIVEN IN INCHES, THIRD ANGLE PROJECTION.
--	---

DRAWN BY JAHA	MAT'L: SEE NOTES ABOVE	SCALE NONE
DATE 8-3-10		DRAWING NO. 10D165AB-DC
CHK'D EB		DWG SIZE A

REV	DATE	BY	CHK	DESCRIPTION	ECN	CHK	CUST	SUP
R	8-3-10	JAHA	EB	RELEASED TO PRODUCTION	10D165AB-DC	RN	RN	