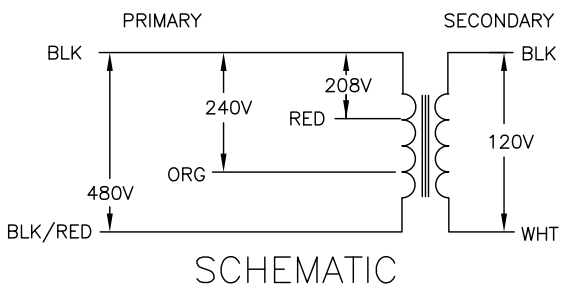
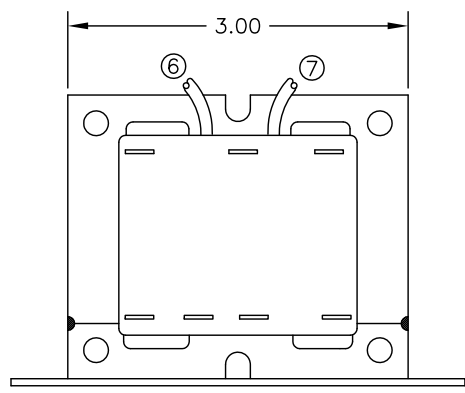
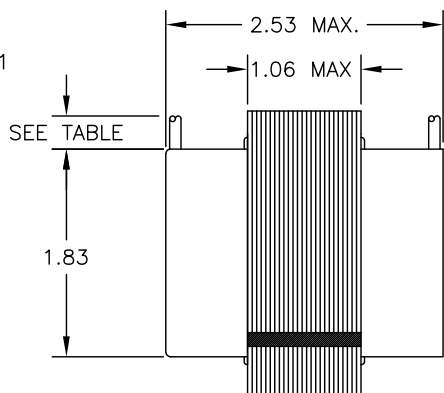
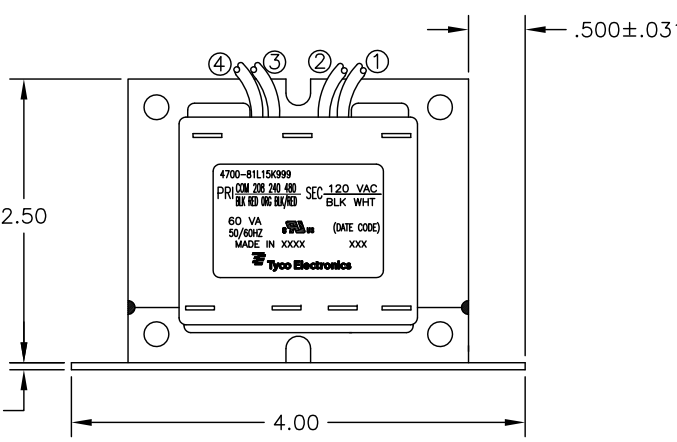


ALL LEADS 18AWG-UNLESS OTHERWISE SPECIFIED					NOTES			CERTIFICATION:				
PRIMARY					1. ALL LEADS +1"/-0" TOL.			UL/CUL FILE NO. E102980				
					2. STRIP TOL. ±1/32			SECONDARY				
					3. WINDING PROTECTION-NONE							
LEAD NO.	1	2	3	4				LEAD NO.	6	7		
VOLTAGE	COM	208	240	480				VOLTAGE	120	VAC		
COLOR	BLK	RED	ORG	BLK/RED				COLOR	BLK	WHT		
LENGTH	12.0	12.0	12.0	12.0				LENGTH	12.0	12.0		
STRIP LENGTH	.50	.50	.50	.50				STRIP LENGTH	.50	.50		



THIS DRAWING IS A CONTROLLED DOCUMENT.

DWN: K.H.	11MAR04	 TE Connectivity	TE PART NUMBER		
CHK: DH	11MAR04		1-1611467-1		
APVD: HT	11MAR04		NAME		
PRODUCT SPEC			TRANSFORMER OUTLINE		
APPLICATION SPEC		P.U. STOCK			
WEIGHT		SIZE: A3	CAGE CODE: 00779	DRAWING NO: C=4700-81L15K999	RESTRICTED TO
CUSTOMER DRAWING		SCALE: NTS	SHEET: 1 of 1	REV: C	