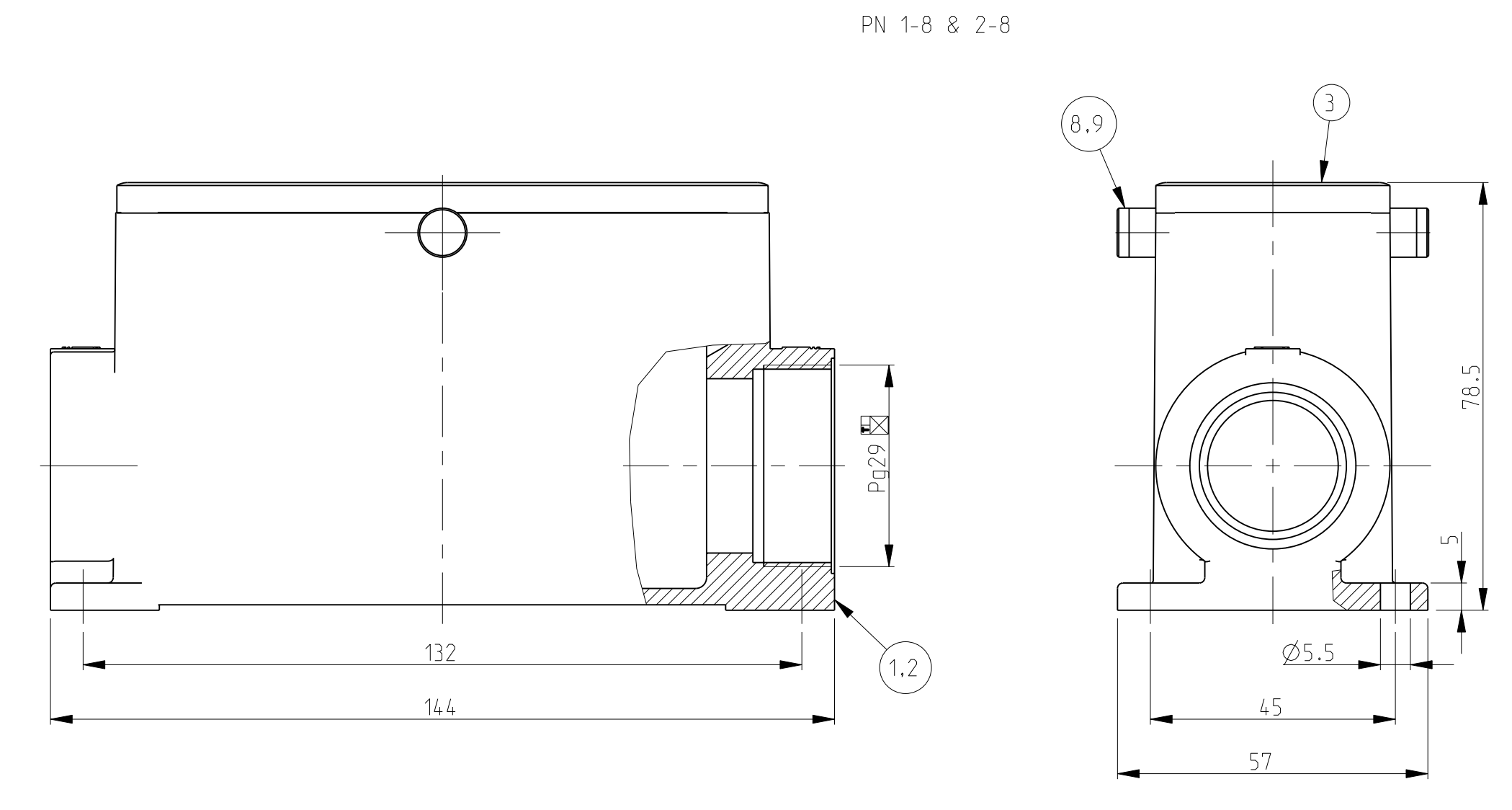
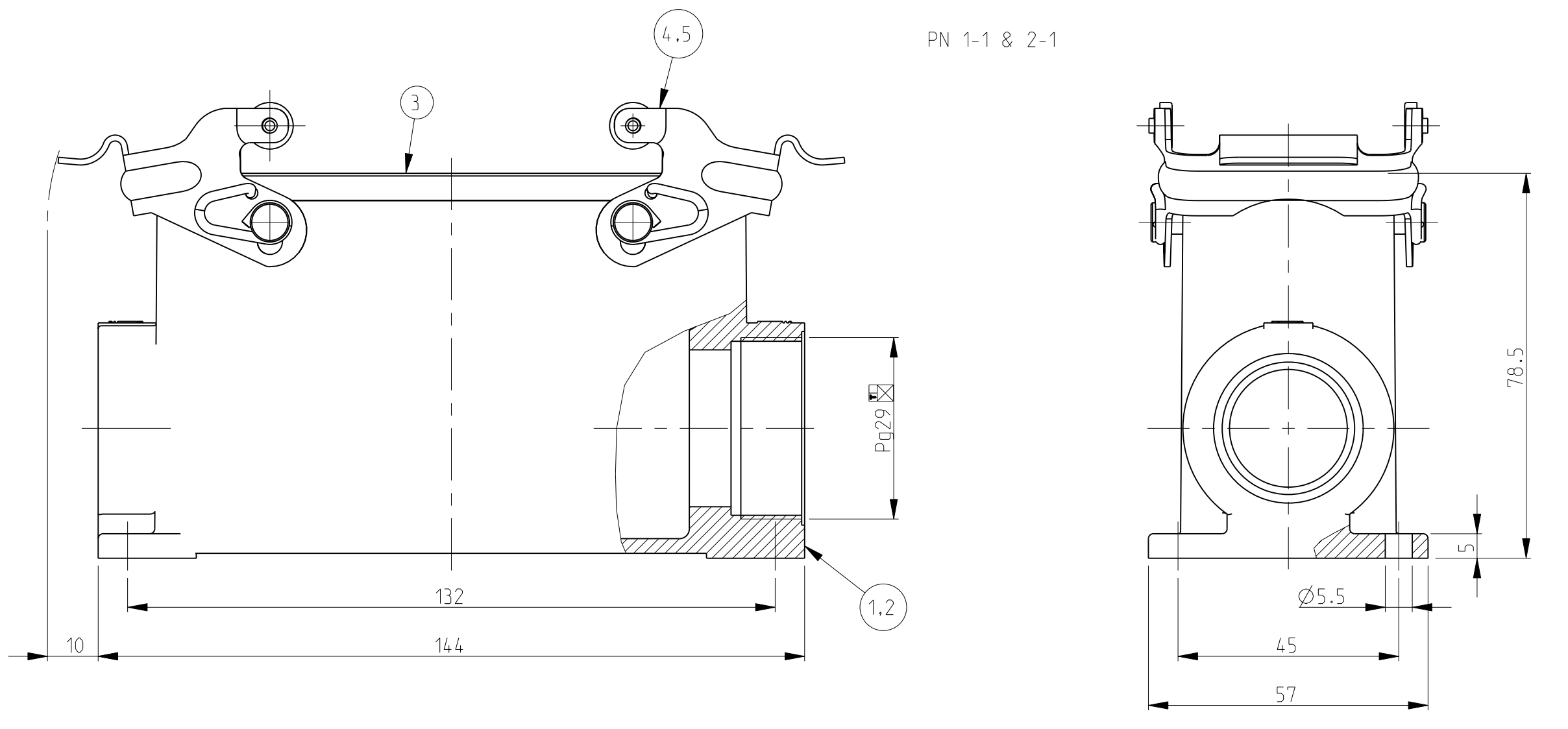
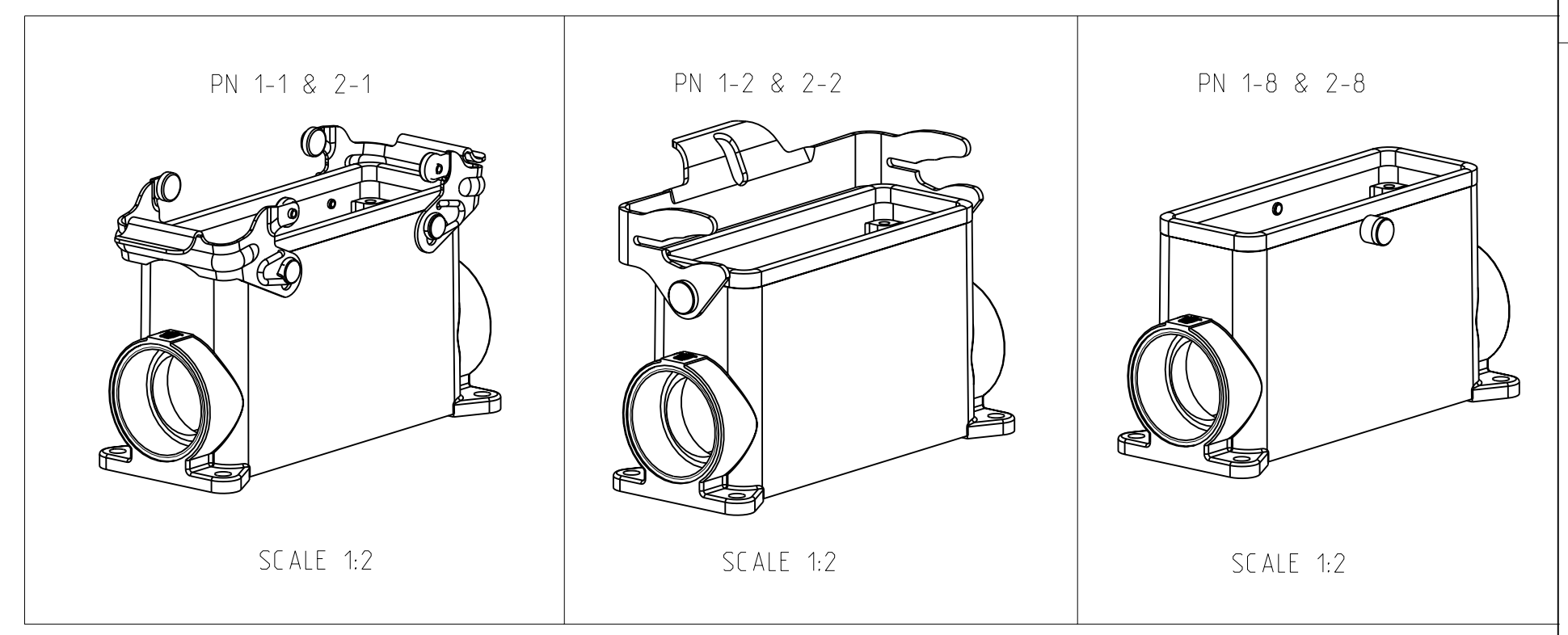
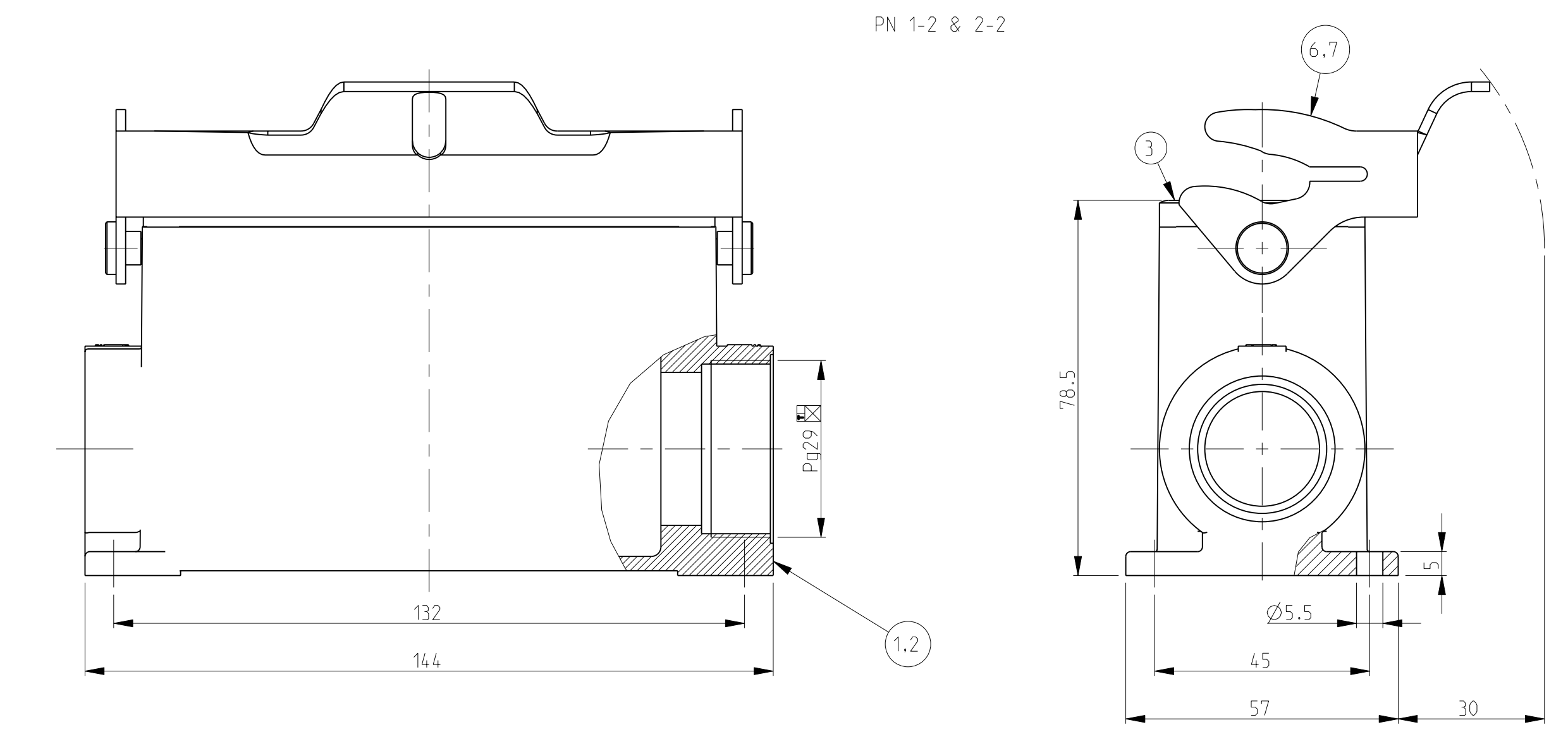


LOC	DIST	REV	DESCRIPTION	DATE	DWN	APVD
A1	-	-				
A2			Released as per ECR-08-017219	09.July.2008	SP	TS



- NOTES.
- 1 Material:Housing:Aluminium Diecasting Alloy
Seals:Neoprene
 - 2 Surface:Varnish grey
-Aluminium Oxide +Zinc plated
 - 3 Varnish on the inside not necessary
 - 4 Packaging
Quantity 5 Pieces in a box



QTY	DESCRIPTION	MATERIAL	SURFACE	COLOR	ITEM NO	REMARKS
2	ZB-Clip bolt	Stainless steel			9	
2	ZB-Clip bolt	Steel	Zinc plaetd	Blue	8	
1	LB-Side Clip	Stainless steel			7	
1	LB-Side Clip	Steel	Zinc plaetd	Blue	6	
2	VS-Locking Clip	Stainless steel			5	
2	VS-Locking Clip	Steel	Zinc plaetd	Blue	4	
1	Profile seal	Neoprene		Black	3	
1	Surface mounted housing side entry HD.64.Pg.1.29	Aluminium	Aluminium oxide	Black	2	
1	Surface mounted housing side entry HD.64.Pg.1.29	Aluminium		Grey	1	

QTY	DESCRIPTION	MATERIAL	SURFACE	COLOR	ITEM NO	REMARKS
2-8	1-8	2-2	1-2	2-1	1-1	
ORDERING TEXT						
HD.64.SG-VS.1.29.Z						
HD-K.64.SG-VS.1.29.Z						
HD.64.SG-LB.1.29.Z						
HD-K.64.SG-LB.1.29.Z						
HD-Z.64.SG-ZVGR.1.29.Z						
HD-K/Z.64.SG-ZVGR.1.29.Z						

DIMENSIONS: mm		TOLERANCES UNLESS OTHERWISE SPECIFIED: mm		DWN: Schneider 30.09.03		Tyco Electronics Tyco Electronics AMP GmbH D-53819 Neunkirchen, Germany	
0 PL ±0.15		1 PLC ±0.2		CHK: Schneider 30.09.03		NAME: Surface mounted housing HD.64.1.29.Z	
2 PL ±0.3		3 PL ±0.4		APVD: -		PRODUCT SPEC: -	
4 PL ±0.5		5 PL ±0.6		APVD: -		APPLICATION SPEC: -	
6 PL ±0.7		7 PL ±0.8		APVD: -		WEIGHT: -	
8 PL ±0.9		9 PL ±1.0		APVD: -		CUSTOMER DRAWING: -	
10 PL ±1.2		11 PL ±1.5		APVD: -		SCALE: 1:1 SHEET: 1 OF 1 REV: A2	