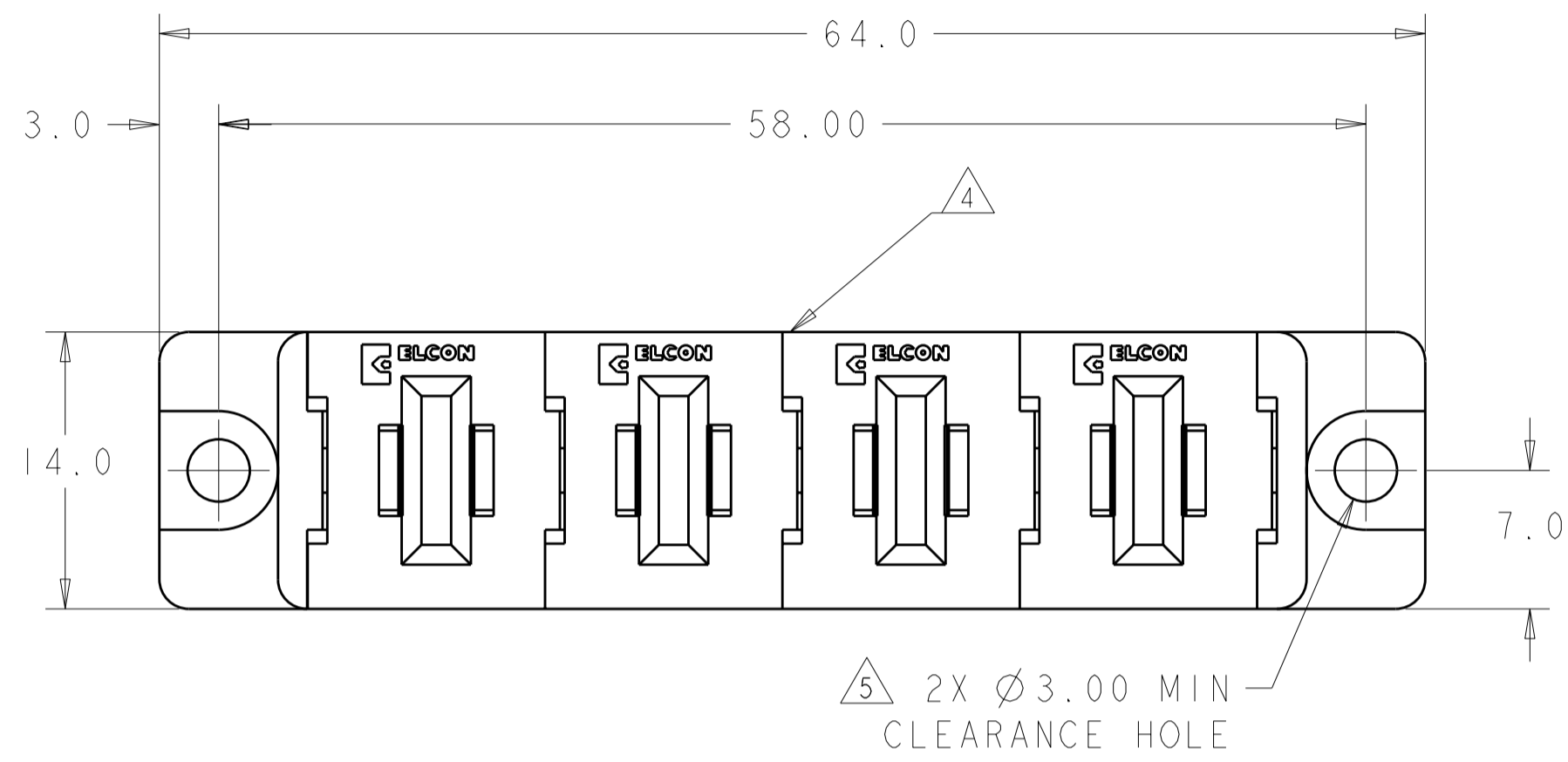


THIS DRAWING IS UNPUBLISHED. RELEASED FOR PUBLICATION 20
 © COPYRIGHT 20 BY TYCO ELECTRONICS CORPORATION. ALL RIGHTS RESERVED.

LOC		DIST		REVISIONS			
P	LTR	DESCRIPTION	DATE	DWN	APVD		
GP	00	A	RELEASED	10JUL2009	RG	MS	



1. PART NUMBER CHANGES AND OR DESIGN CHANGES AFFECTING ITEM INTERCHANGEABILITY REQUIRE PRIOR TYCO ELECTRONICS APPROVAL AND AUTHORIZATION BY REVISION TO THIS DRAWING.

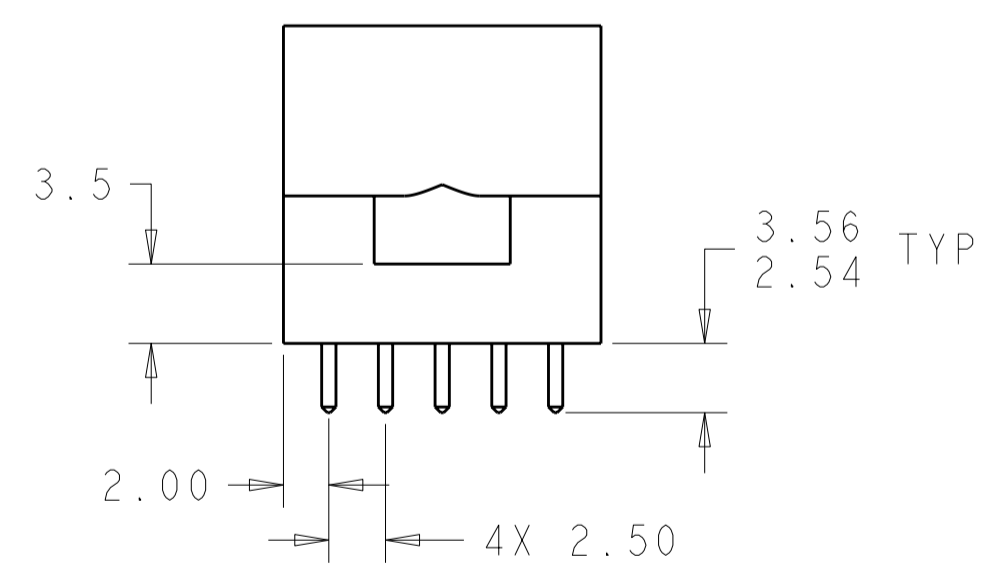
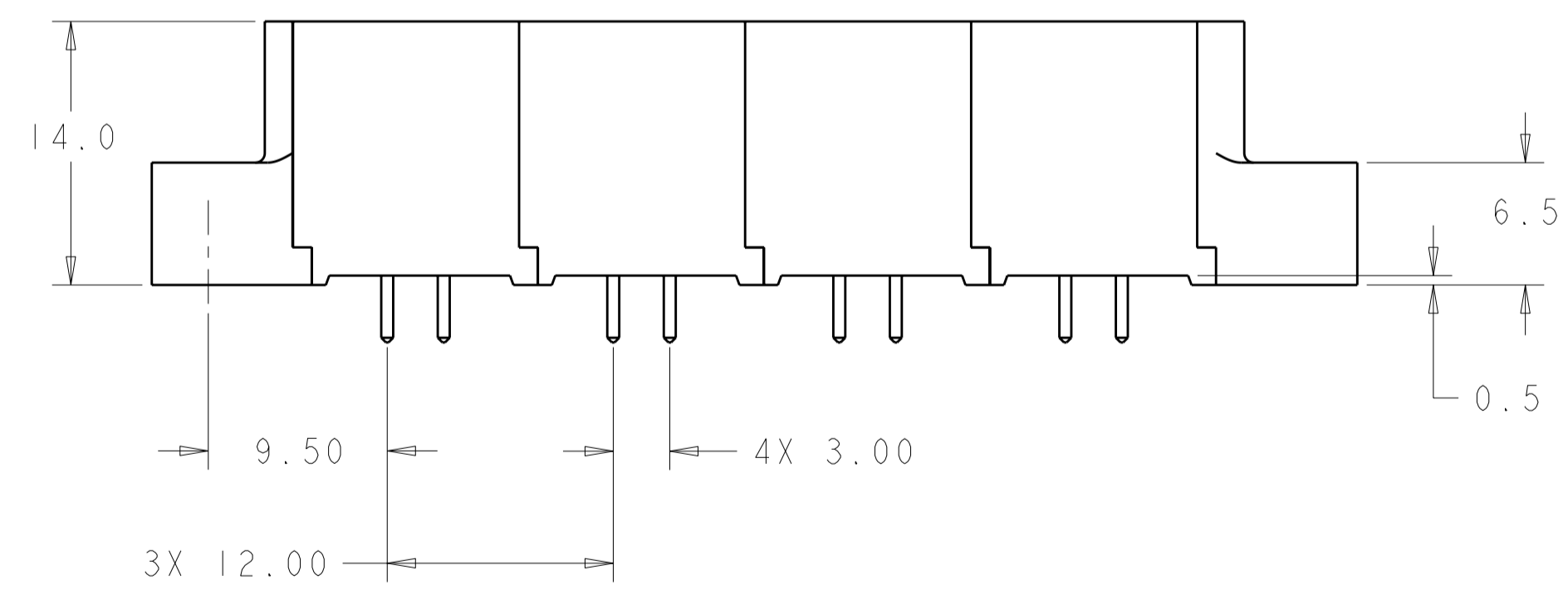
2 MATERIAL:
 INSULATORS - THERMOPLASTIC, GLASS REINFORCED, COLOR: BLACK
 UL94V-0 FLAMMABILITY RATED.
 POWER CONTACTS - PHOSPHOR BRONZE ALLOY, COPPER ALLOY
 CROWN BAND-BERYLLIUM COPPER ALLOY

3 FINISH:
 CONTACTS - GOLD PLATE 0.76µm MIN. THK. OVER NICKEL 1.27µm MIN. THK
 SOLDER TAILS - TIN 3.05µm MIN. THK. OVER NICKEL 1.27µm MIN. THK

4 ITEMS PROVIDED TO THIS SPECIFICATION TO BE PERMANENTLY IDENTIFIED PER THE FOLLOWING IDENTIFIER LABEL
 YEAR 11 WEEK 11

TYCO ELECTRONICS P/N DATE CODE (e.g. 0106)
 XXXXXXXX-X XXXX

5 MOUNTING FLANGES ACCEPT M3 OR 4-40 SCREWS. (USER SUPPLIED)

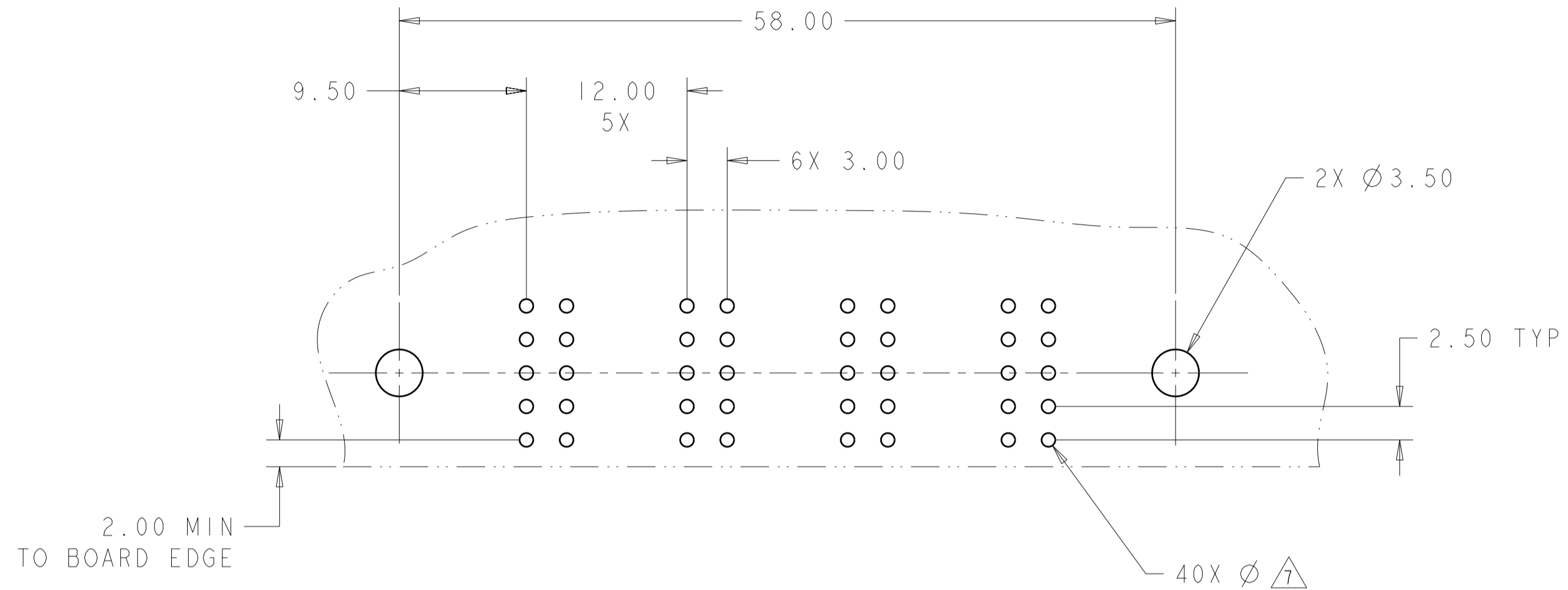


ELCON FLATPAQ

THIS DRAWING IS A CONTROLLED DOCUMENT FOR TYCO ELECTRONICS CORPORATION. IT IS SUBJECT TO CHANGE AND THE CONTROLLING ENGINEERING ORGANIZATION SHOULD BE CONTACTED FOR THE LATEST REVISION.		DWN R. GRZYBOWSKI 10JULY09	AS SHOWN	2085266-1
DIMENSIONS: mm		CHK M. SYKES 10JULY09	DESCRIPTION	PART NUMBER
TOLERANCES UNLESS OTHERWISE SPECIFIED:		APVD M. PERCHERKE 10JULY09	Tyco Electronics Harrisburg, PA 17105-3608	
0 PLC ±-		PRODUCT SPEC	NAME STRAIGHT SOCKET CONNECTOR, SOLDER TAILS FLATPAQ	
1 PLC ±0.5		APPLICATION SPEC	SIZE	CAGE CODE
2 PLC ±0.25		WEIGHT	A2	00779
3 PLC ±-		CUSTOMER DRAWING	SCALE	3:1
4 PLC ±-			SHEET	1 OF 3
ANGLES ±.5			REV	A
FINISH				

THIS DRAWING IS UNPUBLISHED. RELEASED FOR PUBLICATION 20
 © COPYRIGHT 20 BY TYCO ELECTRONICS CORPORATION. ALL RIGHTS RESERVED.

LOC	DIST	REVISIONS					
GP	00	P	LTR	DESCRIPTION	DATE	DWN	APVD
		-		SEE SHEET 1			



PRINTED CIRCUIT LAYOUT
 COMPONENT SIDE

CONNECTOR	CATALOG MODULE #	QTY	SIZE NO.	CONTACT QTY	MATING PIN	MAX. CURRENT (PER CONTACT)	CONTACT SPACING	VOLTAGE RATING
SOCKET	FP154	4	8	4	1.25 X 7.00	35 amps	12.00	600 VOLTS
	FP500	1	LEFT MOUNTING FLANGE					
	FP501	1	RIGHT MOUNTING FLANGE					

THIS DRAWING IS A CONTROLLED DOCUMENT FOR TYCO ELECTRONICS CORPORATION. IT IS SUBJECT TO CHANGE AND THE CONTROLLING ENGINEERING ORGANIZATION SHOULD BE CONTACTED FOR THE LATEST REVISION.

DWN: R. GRZYBOWSKI 10 JULY 09
 CHK: M. SYKES 10 JULY 09
 APVD: M. PERCHERKE 10 JULY 09

tyco Tyco Electronics
 Harrisburg, PA 17105-3608

NAME: STRAIGHT SOCKET CONNECTOR, SOLDER TAILS, FLATPAQ

SIZE: A2 CAGE CODE: 00779 DRAWING NO: 2085266 RESTRICTED TO: -

MATERIAL: - DIMENSIONS: mm TOLERANCES UNLESS OTHERWISE SPECIFIED: 0 PLC ±, 1 PLC ±0.5, 2 PLC ±0.25, 3 PLC ±, 4 PLC ±, ANGLES ±.5, FINISH: -

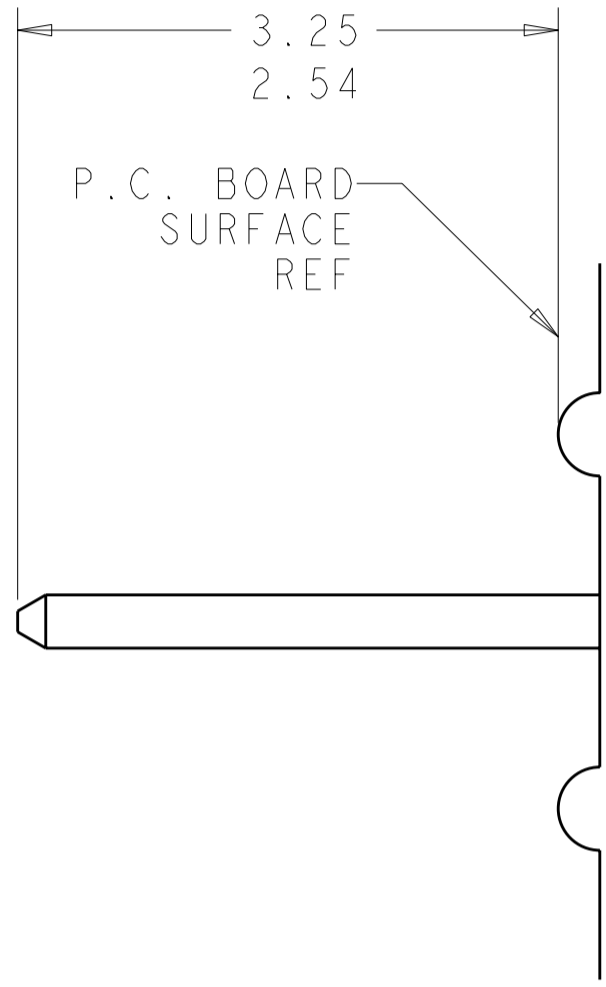
PRODUCT SPEC: - APPLICATION SPEC: - WEIGHT: -

CUSTOMER DRAWING SCALE: 3:1 SHEET 2 OF 3 REV A

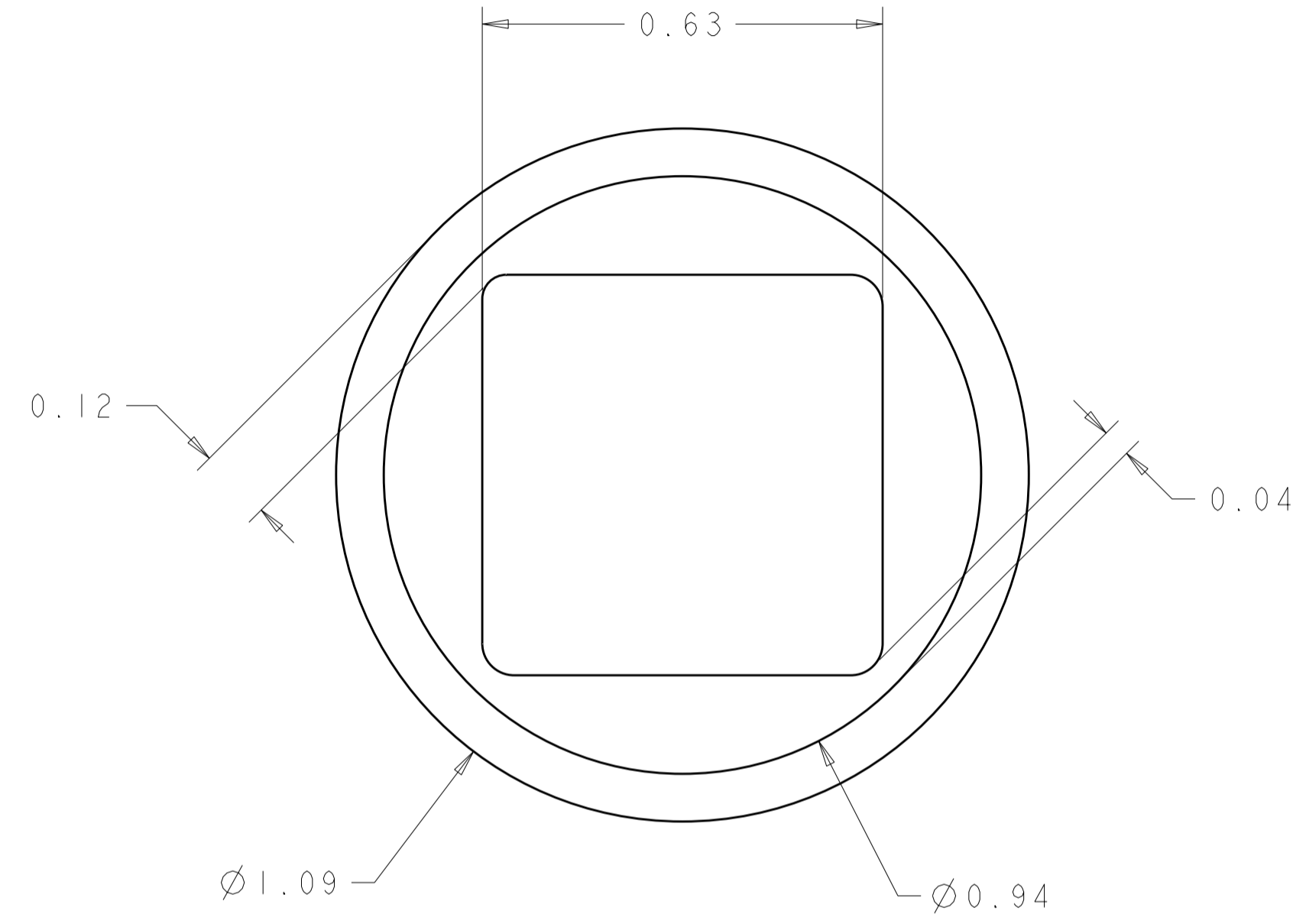
ELCON FLATPAQ

THIS DRAWING IS UNPUBLISHED. RELEASED FOR PUBLICATION 20
 © COPYRIGHT 20 BY TYCO ELECTRONICS CORPORATION. ALL RIGHTS RESERVED.

LOC	DIST	REVISIONS			
P	LTR	DESCRIPTION	DATE	DWN	APVD
GP	00	-	SEE SHEET 1	-	-



6. SOLDER PIN DETAIL
SCALE 10 : 1



△ SOLDER TERMINATION AREA
SCALE 40:1
RECOMMENDED PRINTED CIRCUIT SOLDER HOLE
FINISHED HOLE: Ø1.02 ±.008
DRILLED HOLE: Ø1.15 ±.013
COPPER PLATE: .025 MIN
TIN PLATE: .008 MIN. (PER SURFACE)

ELCON FLATPAQ

THIS DRAWING IS A CONTROLLED DOCUMENT FOR TYCO ELECTRONICS CORPORATION. IT IS SUBJECT TO CHANGE AND THE CONTROLLING ENGINEERING ORGANIZATION SHOULD BE CONTACTED FOR THE LATEST REVISION.		DWN R. GRZYBOWSKI 10 JULY 09	Tyco Electronics Harrisburg, PA 17105-3608	
DIMENSIONS: mm		CHK M. SYKES 10 JULY 09	NAME STRAIGHT SOCKET CONNECTOR, SOLDER TAILS FLATPAQ	
TOLERANCES UNLESS OTHERWISE SPECIFIED: 0 PLC ± 1 PLC ±0.5 2 PLC ±0.25 3 PLC ± 4 PLC ± ANGLES ±.5 FINISH		APVD M. PERCHERKE 10 JULY 09	SIZE A200779	DRAWING NO C-2085266
MATERIAL		PRODUCT SPEC - APPLICATION SPEC -	RESTRICTED TO -	
		WEIGHT -	SCALE 3:1	SHEET 3 OF 3 REV A
		CUSTOMER DRAWING		