

PRODUCT NUMBER
20020315-XXXXXXLF

20020315- □ □ □ □ □ 0 □ L F

PITCH

G: 5.00 mm
H: 5.08 mm

POLES

02: 2 POLES
03: 3 POLES

LF : DENOTED RoHS COMPATIBLE

1 : STANDARD PRODUCT
W/ BOX PACKING

SCREW CODE

CODE	SCREW TYPE	AVAILABILITY
A	-/+	ON REQUEST ONLY
B	-	STANDARD

PROPERTY TABLE			
FCI SERIES NAME		21-500	21-508
PITCH (mm)		5.00	5.08
VOLTAGE RATING (VAC)		300	300
CURRENT RATING (A)		16	16
APPLICABLE WIRE RANGE (AWG)	1-WIRE	12~28	12~28
	2-WIRE	18	18
WIRE CROSS SECTION (mm ²)	SOLID	1-WIRE	2.5
		2-WIRE	1.0
	STRANDED	1-WIRE	1.5
		2-WIRE	0.75
OPENING CONTACT HOUSING(mm ²)		2.1x2.7	2.1x2.7
WIRE STRIP LENGTH(mm)		6~7	6~7
TORQUE +/-10% (N-m/Lb-in)		0.4/3.5	0.4/3.5
SCREW		M3x0.5	M3x0.5
WITHSTANDING VOLTAGE (kV)		1.6	1.6
OPERATING TEMP. (°C)		-40~+115	-40~+115
SOLDERING TEMP. (°C)		250±10 (5 sec.)	250±10 (5 sec.)
POLES AVAILABLE		02~03	02~03
SAFETY CERTIFICATE			

HOUSING CODE

CODE	COLOR	AVAILABILITY
1	GREEN(RAL 6018/T)	STANDARD
2	BLACK	ON REQUEST ONLY
3	GREY(RAL 7004/P)	ON REQUEST ONLY
4	BLUE(RAL 5015/A)	ON REQUEST ONLY

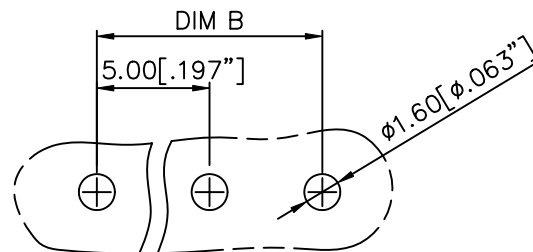
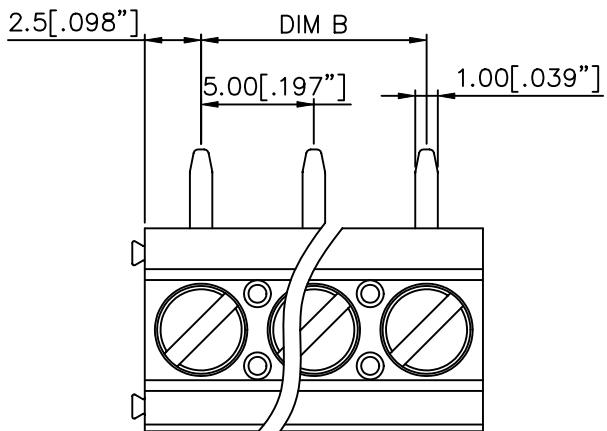
NOTES:

- MATERIALS
1-1 HOUSING: THERMALPLASTIC RESIN, UL 94V-0 RATED,
1-2 SCREW: STEEL, ZINC PLATED.
1-3 CLAMP: COPPER ALLOY, NICKEL PLATED.
1-4 TERMINAL: COPPER ALLOY, TIN PLATED.
- PRODUCT SPECIFICATION REFER TO FCI GS-12-625.
- PRODUCT PACKING SPECIFICATION REFER TO FCI GS-14-1394.
- FCI, SAFETY CERTIFICATE LOGO AND SERIES NAME TO BE SHOWN ON PRODUCT SURFACE.
- THE PRODUCTS WHERE THE PART NUMBER END IN "LF" MEET THE EUROPEAN UNION DIRECTIVE AND OTHER COUNTRY REGULATIONS AS DESCRIBED IN GS-22-008.
- RECOMMENDED SOLDERING PROCESS BY WAVE SOLDER.

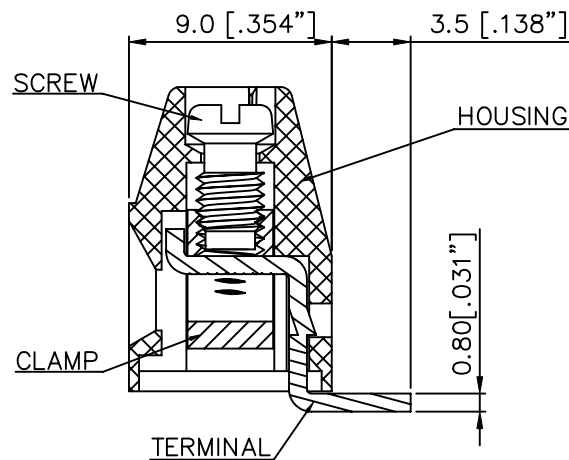
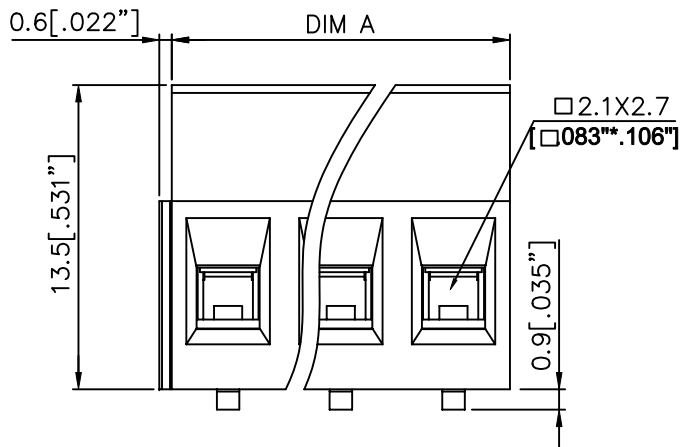
mat'l. code		surface	tolerance	projection	product family
		ASME Y14.5 ✓	ASME Y14.5		TERMINAL BLOCK
ltr	ecn no	dr	date	tolerances unless otherwise specified	title
A	T10-0138	WL	083110	angles	TERMINAL BLOCK FIXED SIGNAL PLUG, VERTICAL WIRE INLET
B	T10-0165	WL	101210	tolerances	
C	T11-0014	WL	022411	scale	
		dr	WENDY CHEN	081710	dwg no
		enr	JASON HSU	081710	sheet 1 of 3
		chr	GARY HSIEH	081710	20020315
		appd	JOSEPH HSIA	081710	A4
					type
					CUSTOMER Drawing
sheet index	revision sheet	C	C	C	
		1	2	3	



PRODUCT NUMBER	SERIES NAME	PITCH
20020315-GXXXXXLF	21-500	5.00 mm



P.C.B LAYOUT



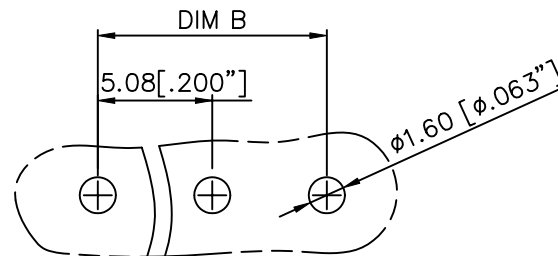
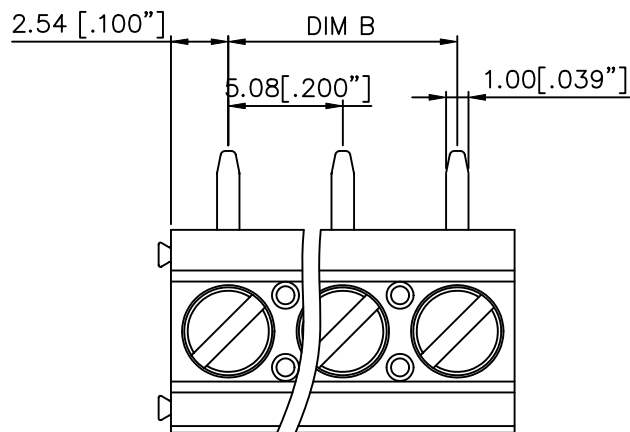
POLE	2	3
Dim A	10.0 [.394\"]	15.0 [.590\"]
Dim B	5.0 [.196\"]	10.0 [.394\"]
Tol.	±0.15 [.006\"]	

mat'l. code		surface ASME Y14.5	tolerance ASME Y14.5	projection 	product family TERMINAL BLOCK
ltr	ecn no	dr	date	title TERMINAL BLOCK FIXED SIGNAL PLUG, VERTICAL WIRE INLET	
c		angles	tolerances unless otherwise specified	MM [INCH]	scale
		X±1°	X.X±0.3		
		X.XX±0.1			
		dr	WENDY CHEN	081710	dwg no
		enr	JASON HSU	081710	sheet 2 of 3
		chr	GARY HSIEH	081710	size
		appd	JOSEPH HSIA	081710	A4
				type CUSTOMER Drawing	
sheet index	revision sheet				

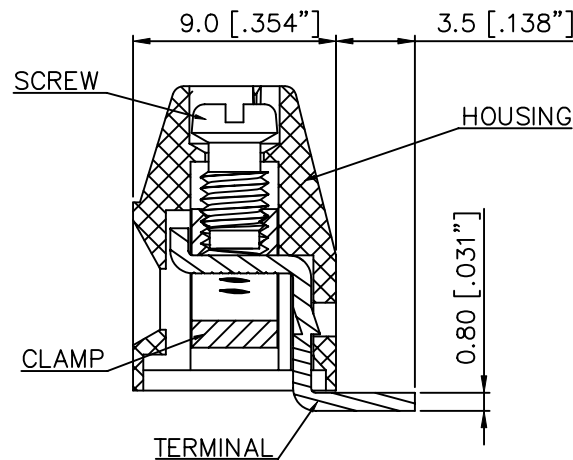
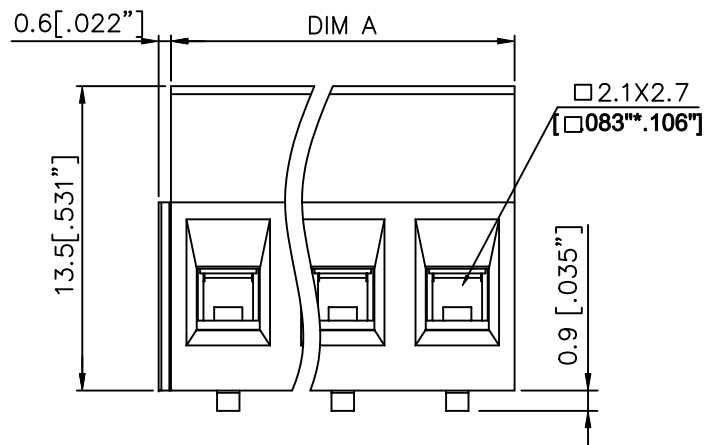




PRODUCT NUMBER	SERIES NAME	PITCH
20020315-HXXXXXLF	21-508	5.08 mm



P.C.B LAYOUT



POLE	2	3
Dim A	10.16 [.400"]	15.24 [.600"]
Dim B	5.08 [.200"]	10.16 [.400"]
Tol.	±0.15 [.006"]	

mat'l. code	surface ASME Y14.5	tolerance ASME Y14.5	projection 	product family TERMINAL BLOCK
ltr	ecn no	dr	date	title
c				TERMINAL BLOCK FIXED SIGNAL PLUG, VERTICAL WIRE INLET
	angles	tol	scale	dwg no
	X±1°	X.X±0.1	MM [INCH]	sheet 3 of 3
	dr	WENDY CHEN	081710	20020315
	enr	JASON HSU	081710	A4
	chr	GARY HSIEH	081710	
	appd	JOSEPH HSIA	081710	type
				CUSTOMER Drawing
sheet index	revision sheet			