

4

3

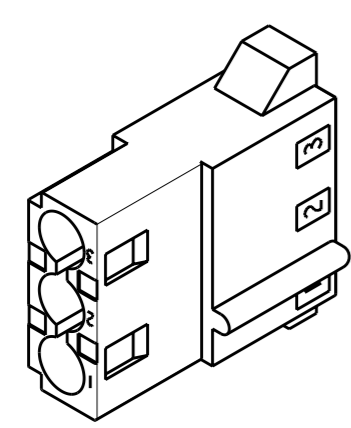
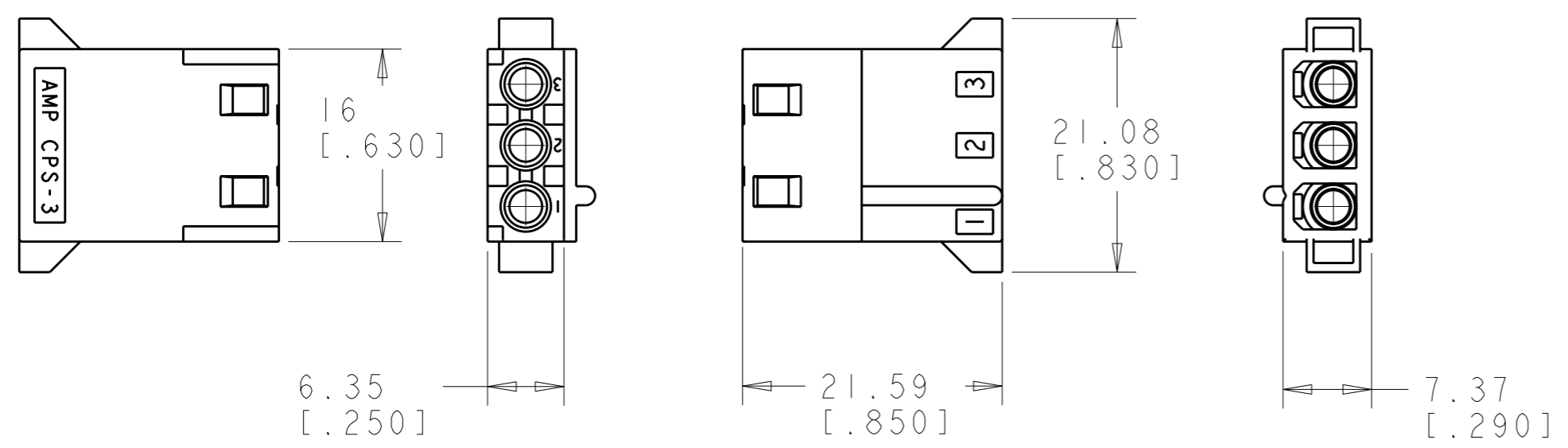
2

1

THIS DRAWING IS UNPUBLISHED. RELEASED FOR PUBLICATION 20  
 © COPYRIGHT 20 ALL RIGHTS RESERVED.

LOC	DIST	REVISIONS			
P	LTR	DESCRIPTION	DATE	DWN	APVD
CM	00				
		TI	REVISED PER ECO-11-004587	06APR2011	RK HMR


1. THIS PLUG TO BE USED WITH CAP 480305.
2. TO BE USED WITH APPROPRIATE COMMERCIAL MATE-N-LOK™ SOCKETS.



NYLON	BLACK	1-480303-9
NYLON	RED	1-480303-2
NYLON	NATURAL	1-480303-0
MATERIAL	COLOR	PART NO

**METRIC**

THIS DRAWING IS A CONTROLLED DOCUMENT.

DWN K. WHITAKER 23APR2002	 TE Connectivity NAME 3 CIRCUIT MATE-N-LOK™ PLUG
CHK D. COLEY 23APR2002	
APVD D. COLEY 23APR2002	
PRODUCT SPEC -	
APPLICATION SPEC -	
WEIGHT -	RESTRICTED TO -
CUSTOMER DRAWING	

SCALE 2:1 SHEET 1 OF 1 REV TI