

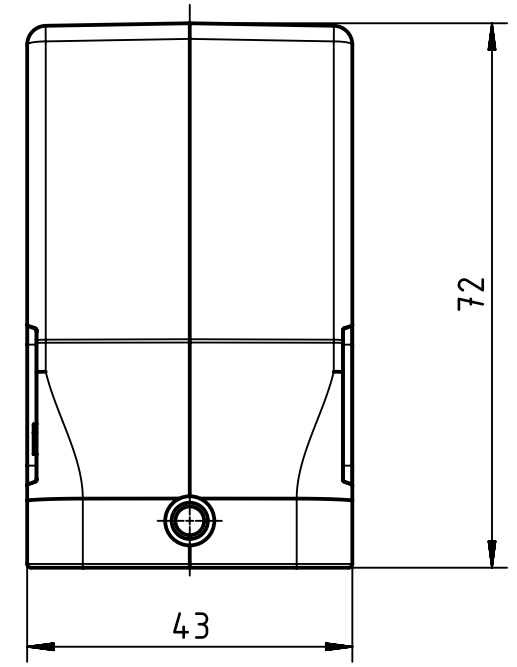
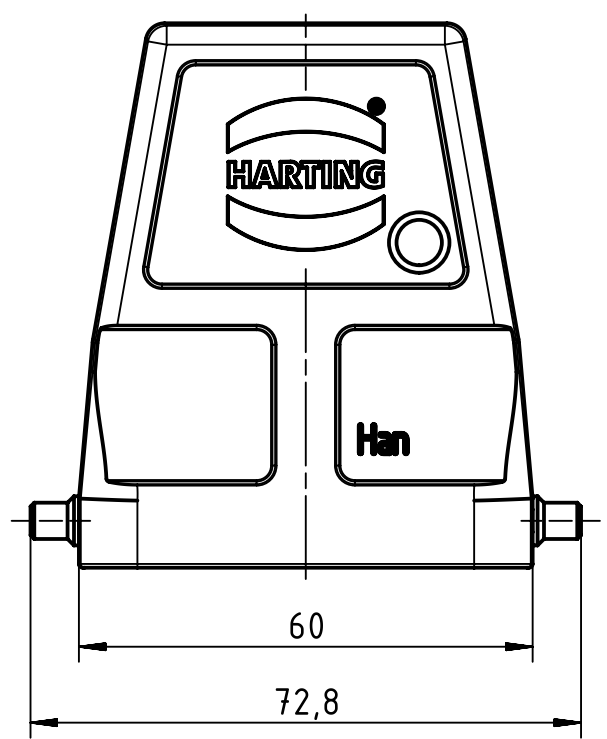
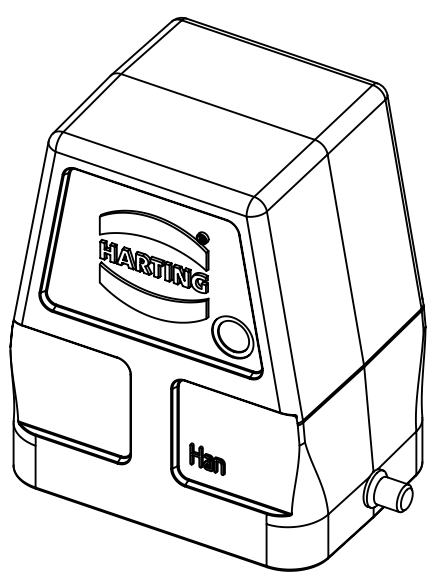
1 2 3 4 5 6


A

B

C

D



	All rights reserved Department EL PD - DE	All Dimensions in mm Original Size DIN A4		Scale 1:1	Free size tol.	Ref. Sub.
		Created by RULLKOETTER	Inspected by BERGHORN	Standardisation TIEMANNA	Date 2013-09-17	State Final Release
HARTING Electric GmbH & Co. KG D-32339 Espelkamp		Title Han 6 EMC/B-G			Doc-Key / ECM-Nr. 100530814/UGD/006/B 500000066417	
		Type TB	Number 09 62 806 0801		Rev. B	Page 1/1