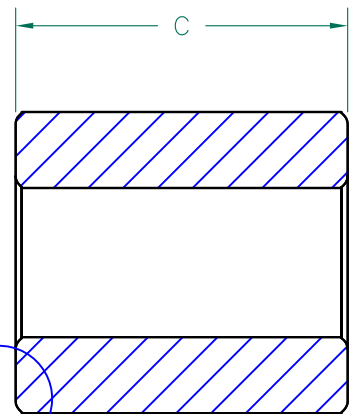
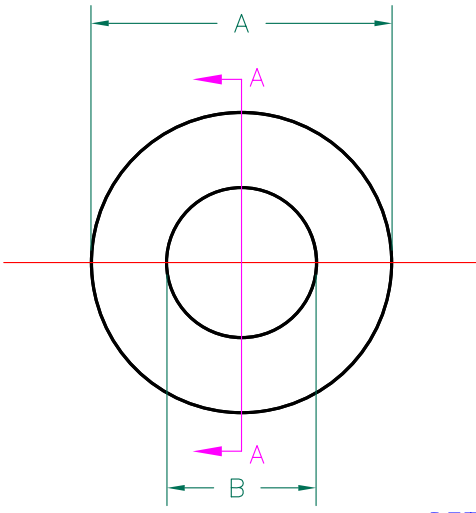
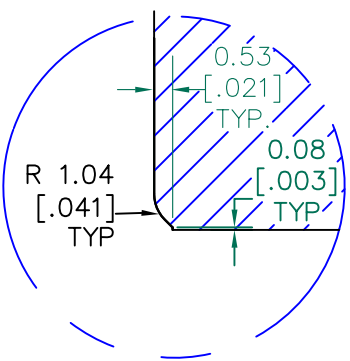


NET IMPEDANCE (Z)			
Frequency	300 MHz	500 MHz	1 GHz
Nominal (REF)	175 Ω	210 Ω	250 Ω
Minimum	- Ω	168 Ω	- Ω



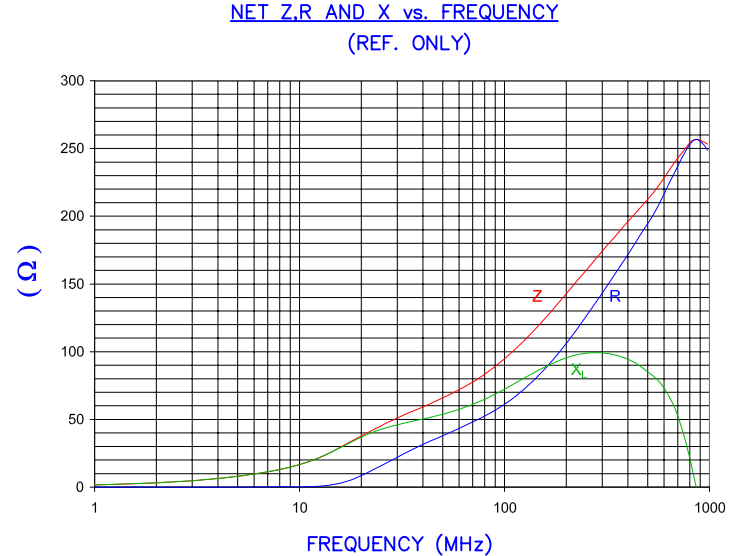
SEE
DETAIL "A"

SECTION A-A



DETAIL "A"
CHAMFER
SCALE=5:1

**UNCONTROLLED
DOCUMENT**

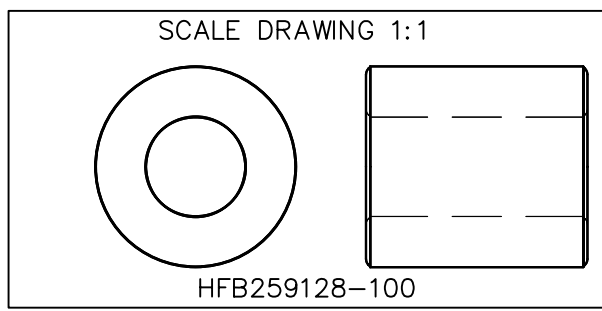


AGILENT E4991A Impedance/Material Analyzer
HP 16092A-Test Fixture

FERRITE CORE DIMENSIONS (SPEC) MM [Inches]:

A	25.91 [1.020]	±	0.46 [.018]
B	12.83 [.505]	±	0.25 [.010]
C	28.58 [1.125]	±	0.57 [.023]

WEIGHT/1000 56.05 kgs [123.56 Lbs]



DIMENSIONS ARE IN mm [INCHES].				This print is the property of Laird Tech. and is loaned in confidence subject to return upon request and with the understanding that no copies shall be made without the written consent of Laird Tech. All rights to design or invention are reserved.		Laird TECHNOLOGIES	
				PROJECT/PART NUMBER:	REV	PART TYPE:	DRAWN BY:
				HFB259128-100	B	FERRITE CORE	JRK
B	UPDATE COMPANY LOGO	06/11/10	JUN	DATE: 03/31/03	SCALE: 1.5:1	MATERIAL:	
A	ORIGINAL DRAFT	03/31/03	JRK	CAD #	TOOL #		
REV	DESCRIPTION	DATE	INT	HFB259128-100-B	B1020		HF