

920 Series Midget Flanged Incandescent Lampholders

Overview

The 920 Series is a relampable midget flanged base lampholder. The mating lens cap accepts a T-1 3/4 midget flanged base incandescent lamp, held in the lens assembly by means of a friction fit which insures good contact and prevents the lamp from falling out when the lens is removed. A Littelite Lens Cap Assembly must be used with the holder to hold the lamp in proper relationship to the socket contact. Also available with RFI/EMI shielded lens to eliminate the possible transmission or reception of RF signals.

Approvals

UL Recognized. For MIL Spec Lampholders, contact the factory

Specification

Housing: Aluminum. Black anodized finish standard. Clear anodized or yellow iridescent chromate finish optional.

Internal Tooth Lockwasher & Hex Nut: Steel. Zinc-plated with yellow iridescent chromate finish.

Terminals: Brass. Tin-plated with elongated slot (3/64" x 3/32"). Tapered to accept a quick-connect receptacle.

Socket: Brass. Nickel-plated.

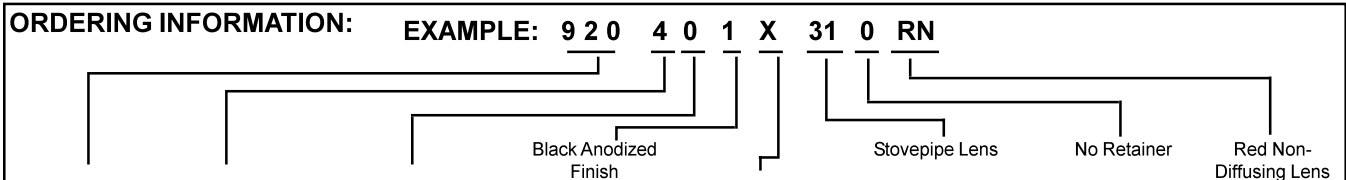
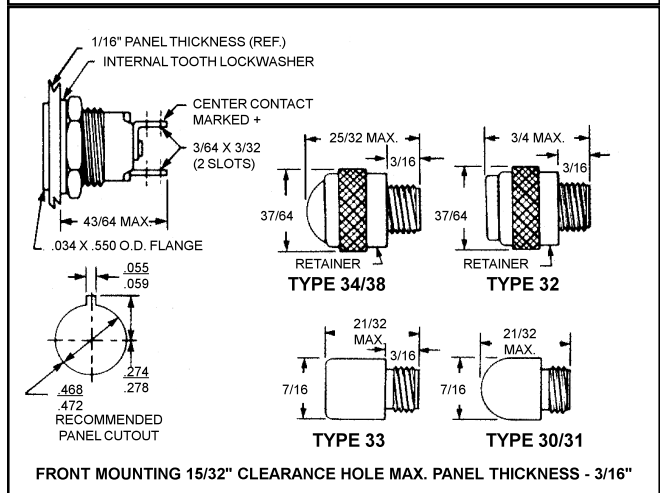
Lens: Heat resistant, high strength polycarbonate.

Lens Marking: Flat rotatable lenses may be stamped. Contact factory.

Lens Barrel: Brass. Nickel-plated.

Retainer: Aluminum. Black or clear anodized finish.

920 Series Maximum Rating: 1.12 Watts, 28 Volts.



Series Number	Lampholders				Lens Cap Assembly		
	Termination	Features	Finish	Resistor	Lens Style	Retainer	Lens Color
920	4 Solder Cup	0 None	1 Black Anodized - Standard 2 Clear (Silver) Anodized 3 Yellow Iridescent Chromate	X None Required	31 ⁴ Stovepipe	0 ³ No Retainer	Nondiffusing
					32 ^{1,4} Flat Rotatable		AN Amber BN Blue CN Colorless GN Green RN Red WN White YN Yellow
					33 ⁴ Cylindrical	1 Black Anodized Finish Standard	Translucent
					34 ⁵ Convex		AT Amber BT Blue GT Green RT Red WT White YT Yellow
					38 ⁶ Convex	2 Clear (Silver) Anodized Finish	Diffusing
					30 Stovepipe - RFI/EMI Shielded		AD Amber BD Blue CD Colorless GD Green RD Red YD Yellow

¹ Lens Marking Available. Contact the factory.
² Use with type 3 finish on lampholder.
³ No retainer required with types 30, 31, and 33 lenses.
⁴ Nondiffusing and Translucent Lens Colors Only.
⁵ Nondiffusing Lens Colors Only.
⁶ Diffusing Lens Colors Only.

921 Series Midget Flanged Neon Lampholders

Overview

The 921 Series is a relampable midget flanged base lampholder designed to accept T-2 neon midget flanged base lamps, including the C7A (NE-2D) Standard Brightness Lamp or the C9A (NE-2J) High Brightness Lamp. Also available with RFI/EMI shielded lens to eliminate the possible transmission or reception of RF signals.

Approvals

UL Recognized. For MIL Spec Lampholders, contact the factory

Specifications

Housing: Aluminum. Black anodized finish standard. Clear anodized or yellow iridescent chromate finish are optional.
Internal Tooth Lockwasher & Hex Nut: Steel. Zinc-plated with yellow iridescent chromate finish.

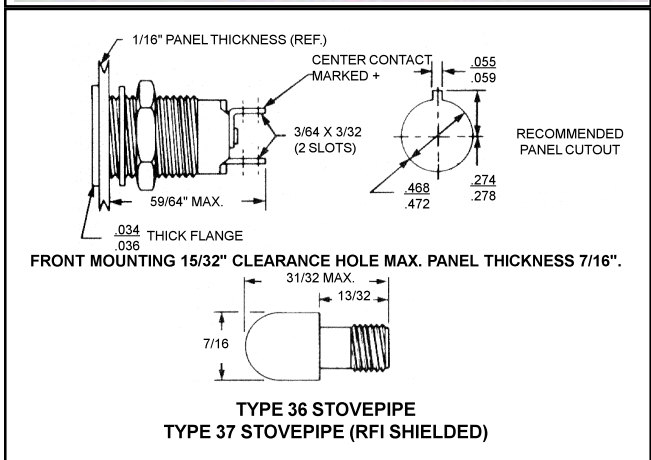
Terminals: Brass. Tin-plated with elongated slot (3/64" x 3/32"). Tapered to accept a quick-connect receptacle.

Socket: Brass. Nickel-plated.

Lens: Heat resistant, high strength polycarbonate.

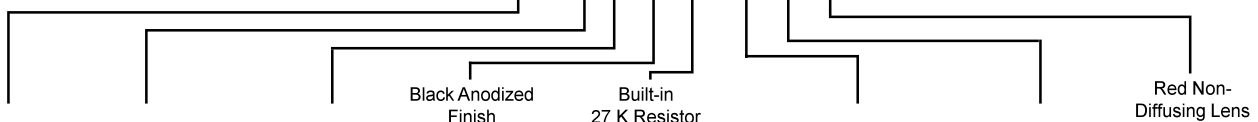
Lens Barrel: Brass. Nickel-plated.

921 Series Maximum Rating: 3 Watts, 125 Volts.



ORDERING INFORMATION:

EXAMPLE: 9 2 1 4 0 1 R 36 0 RN



Series Number	Lampholders				Lens Cap Assembly		
	Termination	Features	Finish	Resistor	Lens Style	Retainer	Lens Color
921	4 Solder Lug Terminals	0 None	1 Black Anodized - Standard	R 27K OHM	36 Stovepipe 37 ² Stovepipe - RFI/EMI Shielded	0 No Retainer	Nondiffusing (Clear)
			2 Clear (Silver) Anodized	D 62K OHM			AN Amber
			3 Yellow Iridescent Chromate	S 33K OHM			CN Colorless
				E 100K OHM			RN Red
							WN White (Cloudy)
							YN Yellow

¹ See back page of Littelite section for Lampholder/Resistor Selection.

² Use with type 3 finish on lampholder.

922, 923 & 924 Midget Flanged Incandescent Lampholders

Overview

The 922, 923 and 924 Series are relampable midget flanged base lampholders. The mating lens cap accepts a T-1 3/4 midget flanged base incandescent lamp, held in the lens assembly by means of a friction fit which insures good contact and prevents the lamp from falling out when the lens is removed. A Littelites Lens Cap Assembly must be used with the holder to hold the lamp in proper relationship to the socket contact.

Approvals

UL Recognized.

Specifications

Housing: Brass. Black nickel finish standard. Bright nickel or chrome finish optional.

Internal Tooth Lockwasher: Nickel-plated finish.

Hex Nut: Brass. 922 and 923 Series: Bright nickel finish. 924 Series: Same finish as housing finish.

Terminals: Brass. Tin-plated with elongated slot (3/64" x 3/32"). Tapered to accept a quick-connect receptacle. Center contact marked +.

Socket: Brass. Bright nickel-plated.

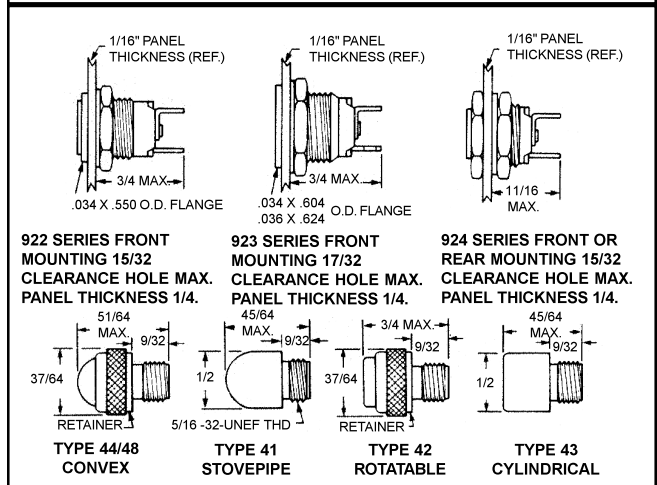
Lens: Heat resistant, high strength polycarbonate.

Lens Marking: Flat rotatable lenses may be stamped. Contact factory.

Lens Barrel: Brass. Nickel-plated.

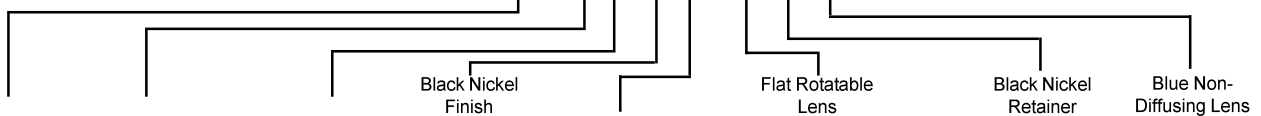
Lens Retainer: Brass. Black nickel finish. Bright nickel or chrome finish optional.

922, 923, 924 Series Max. Rating: 1.12 Watts, 28 Volts.



ORDERING INFORMATION:

EXAMPLE: 9 2 2 4 0 4 X 42 4 BN



Series Number	Lampholders				Lens Cap Assembly			
	Termination	Features	Finish	Resistor	Lens Style	Retainer	Lens Color	
922	4 Solder Lug Terminals	0 None	4 Black Nickel Standard	X None	41 Stovepipe	0 ² No Retainer	AN Amber	
923			5 Bright Nickel		42 ¹ Flat Rotatable		4 Black Nickel Finish (Standard)	BN Blue
924			7 Chrome		43 Cylindrical			CN Colorless
					44 Convex - Nondiffusing Colors Only	5 Bright Nickel Finish	GN Green	
					48 Convex - Diffusing Colors Only		7 Chrome Finish	RN Red
								WN White
							YN Yellow	
							Translucent	
							AT Amber	
							BT Blue	
							GT Green	
							RT Red	
							WT White	
							YT Yellow	
							Diffusing	
							AD Amber	
							BD Blue	
							CD Colorless	
							GD Green	
							RD Red	
							YD Yellow	

¹ See back page of Littelite section for Lampholder/Resistor Selection.

² Use with type 3 finish on lampholder.

925, 926 & 927 Midget Flanged Incandescent & Neon Lampholders

Overview

The 925, 926 and 927 Series are relampable midget flanged base lampholders for drip proof applications. Use with T-1 3/4 incandescent or T-2 neon midget flanged base lamps. Lampholders are furnished with rubber gaskets and mate with skirted lenses, which have Neoprene O-rings installed.

Approval

UL Recognized.

Specification

Housing & Knurled Ring Nut: Aluminum. Black anodized finish standard (Ring Nut Part No. 903-075-010). Clear anodized finish optional (Ring Nut Part No. 903-075-011).

Internal Tooth Lockwasher & Hex Nut: Steel. Zinc-plated and clear chromate treated.

Terminals: Brass. Tin-plated with elongated slot (3/64" x 3/32"). Tapered to accept a quick-connect receptacle. Center contact marked +.

Socket: Brass. Nickel-plated.

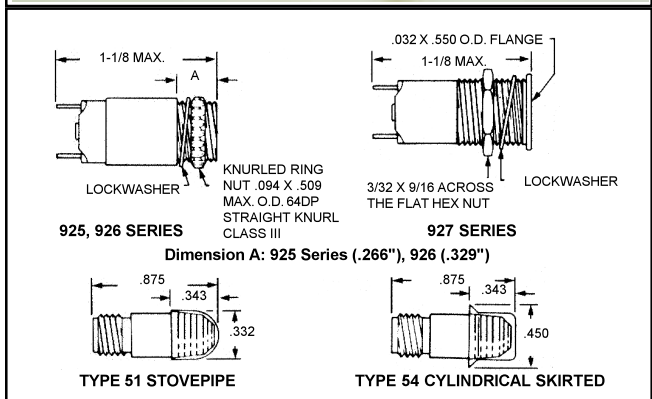
Lens: Heat resistant, high strength polycarbonate.

Lens Barrel: Brass. Nickel-plated.

Gasket: Silicone rubber.

"O" Ring: Neoprene.

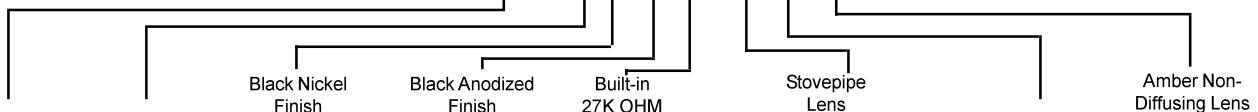
925, 926, 927 Series Max. Rating: 3 Watts, 125 Volts.



ORDERING INFORMATION:

Lampholders and lens caps may be ordered separately or as complete assemblies as shown in the example below:

EXAMPLE: 9 25 4 0 1 R 51 0 AN



Series Number	Lampholders				Lens Cap Assembly		
	Termination	Features	Finish	Resistor	Lens Style	Retainer	Lens Color
925 ¹	4 Solder Lug	0 None (standard)	1 Black Anodized (standard)	X None	FRESNEL (Use with nondiffusing lens colors only)	0 No Retainer	AN Amber BN ² Blue CN Colorless GN ² Green RN Red WN White (Cloudy) YN Yellow
926 ¹					51 Stovepipe		
927					52 Cylindrical Skirted Drip Proof		
		2 ² Drip Proof	2 Clear (Silver) Anodized	R 27K OHM for C9A (NE-2J) lamp	53 Cylindrical		
				D 62K OHM for C7A (NE-2D) lamp	54 Cylindrical Skirted		
					SMOOTH (Use with translucent lens colors only)		
					56 Stovepipe		Translucent ³
					57 Cylindrical Skirted Drip Proof		AT Amber BT Blue GT Green RT Red WT White YT Yellow
					58 Cylindrical		
					59 Cylindrical Skirted		

¹ A mounting wrench, #097013, is available for tightening the knurled ring nuts.
² Requires Lens Cap Style 52 or 57.
³ Not recommended for use with neon lamps.
⁴ No resistor required for incandescent lamps.