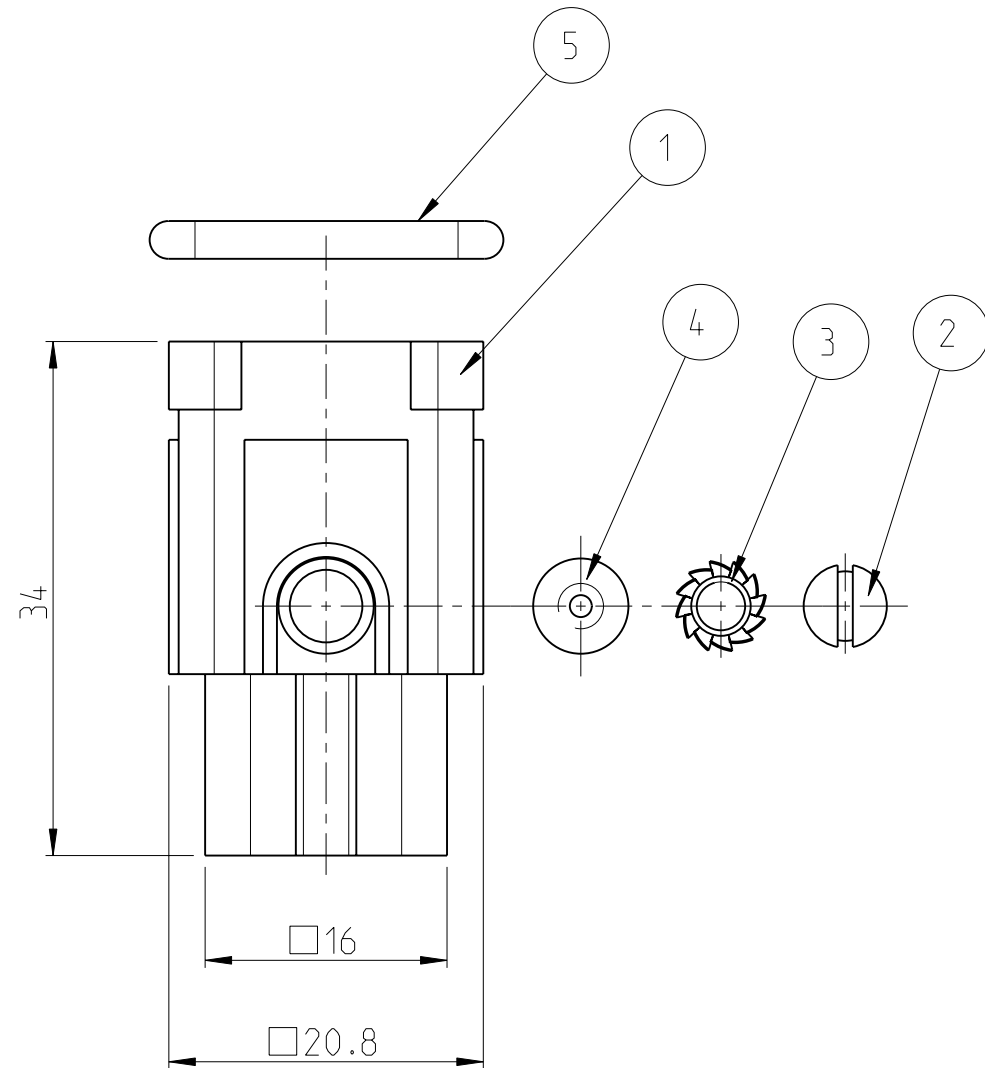
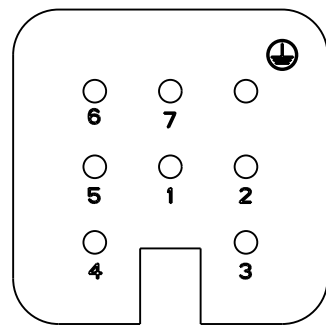


LOC	DIST	REVISIONS			
P	LTR	DESCRIPTION	DATE	DWN	APVD
A1	-	A4	ECR-11-001857	26JAN2011	SR TV



NOTES:
 1 MATERIAL: INSERT, PC
 UL-FILE Nr.: E101788(R)
 SEALING: NEOPRENE

CONTACT ARRANGEMENT VIEW FROM TERMINATION SIDE



1	INSTRUCTION LEAFLET			6	
1	PROFILE SEAL	NEOPRENE	BLACK	5	
1	SCREW THREAD INSERT	BRASS		4	M3x5.5
1	SERRATED LOCK WASHER	STAINL. STEEL		3	V3.2
1	SINK SCREW	STAINL. STEEL		2	M3x6
1	PIN INSERT	LEXAN	LIGHT GREY	1	
2-3	DESCRIPTION	MATERIAL	COLORE	ITEM	NOTES
HD.7.STI.C					

<small>THIS DRAWING IS A CONTROLLED DOCUMENT FOR TYCO ELECTRONICS CORPORATION IT IS SUBJECT TO CHANGE AND THE CONTROLLING ENGINEERING ORGANIZATION SHOULD BE CONTACTED FOR THE LATEST REVISION.</small>		DWN SCHNEIDER 16NOV2009 CHK SCHWEIGER 16NOV2009 APVD - PRODUCT SPEC - APPLICATION SPEC - WEIGHT -	Tyco Electronics AMP GmbH 53757 Sankt Augustin Germany
DIMENSIONS: mm 	TOLERANCES UNLESS OTHERWISE SPECIFIED: 0 PLC ±- 1 PLC ±- 2 PLC ±- 3 PLC ±- 4 PLC ±- ANGLES ±1° MATERIAL - FINISH -	NAME contact arrangement HD.7 HN.D.7.STI.C SIZE A3 CAGE CODE 00779 DRAWING NO ©=1103102 RESTRICTED TO -	
CUSTOMER DRAWING		SCALE 2:1	SHEET 1 OF 1 REV A4