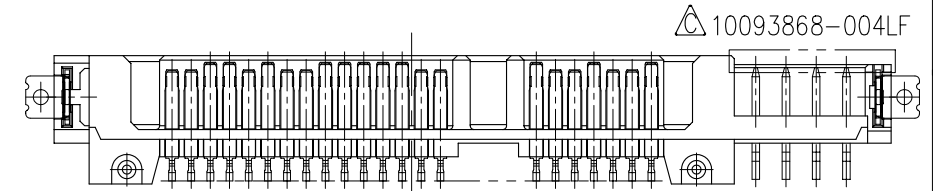
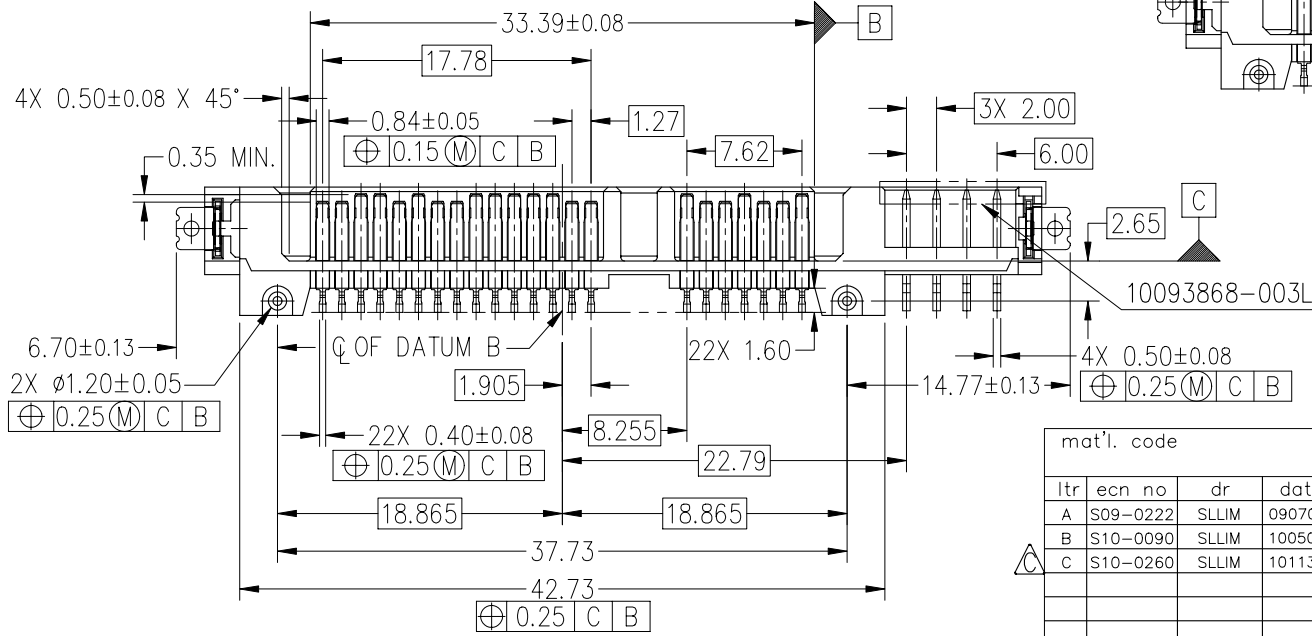
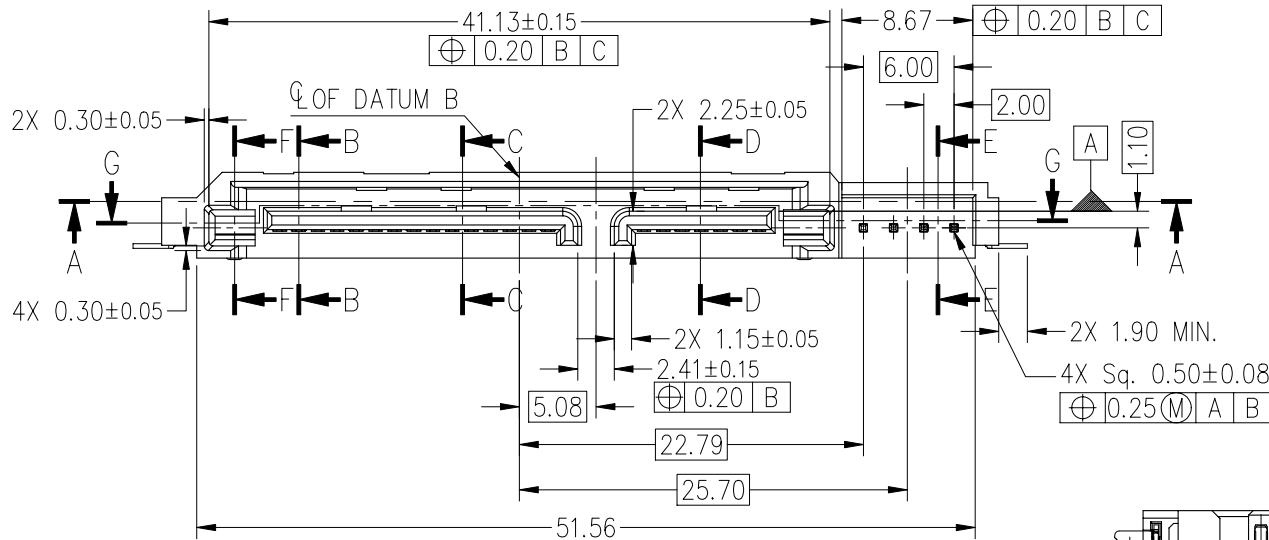


PART NUMBER
10093868-001LF
10093868-002LF
10093868-003LF
10093868-004LF



mat'l. code				tolerances unless otherwise specified			projection		product family		
ltr	ecn no	dr	date	angles		linear	mm	SATA COMBO PLUG SMT			
A	S09-0222	SLLIM	090702	±3°		±.20	mm	title			
B	S10-0090	SLLIM	100506			---	scale 2:1	ASSY. SATA PLUG, SMT			
C	S10-0260	SLLIM	101130			---		LATCH W/4 JUMPERS			
				dr	SLLIM	090420		dwg no		sheet 1 of 5	size
				enr	SLLIM	090420		10093868		A4	
				chr	SLLIM	090420		type		Product	Customer Drawing
				appd	JOEY NG	090423					
sheet index	revision sheet	C	C	C	C	C					
		1	2	3	4	5					

Copyright FCI
 FCconnect.com

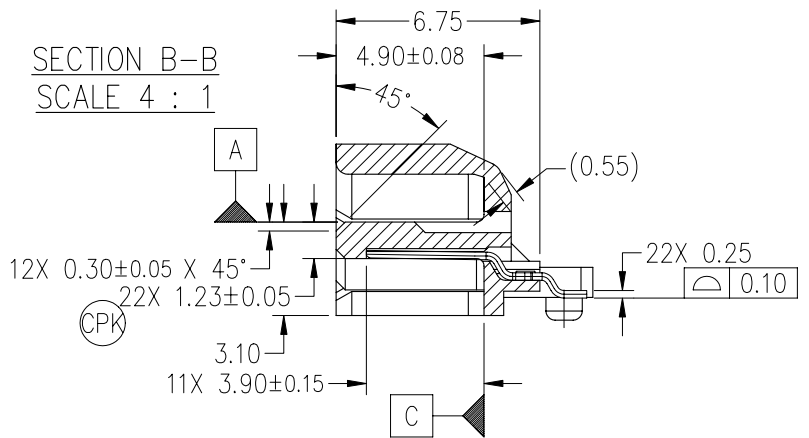
FCI CONFIDENTIAL



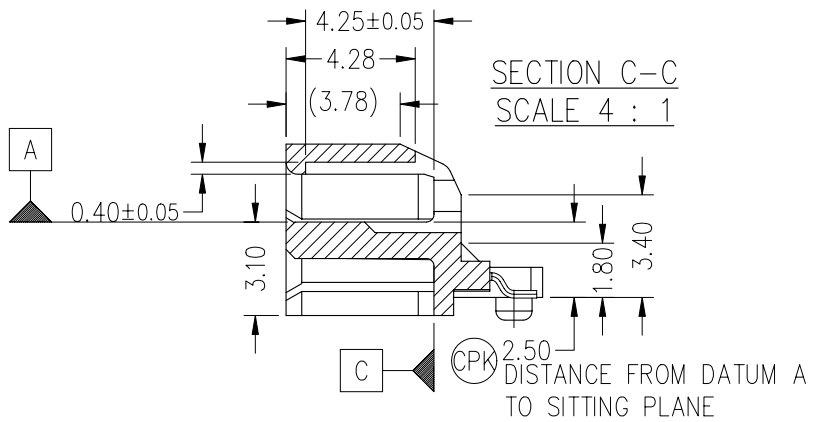
This document is the property of and embodies CONFIDENTIAL and PROPRIETARY information of FCI. No part of the information shown on this document may be used in any way or disclosed to others without the written consent of FCI. Copyright FCI.



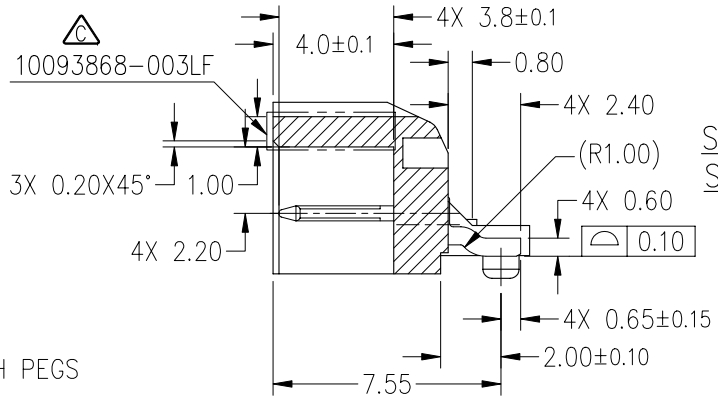
SECTION B-B
SCALE 4 : 1



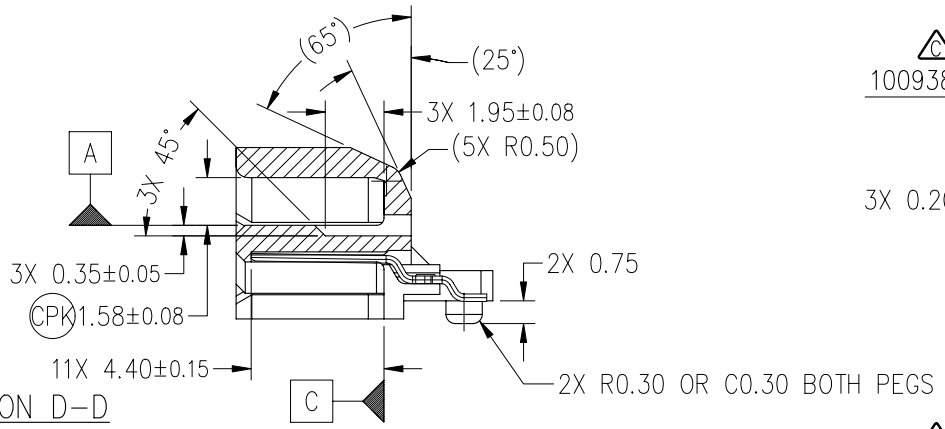
SECTION C-C
SCALE 4 : 1



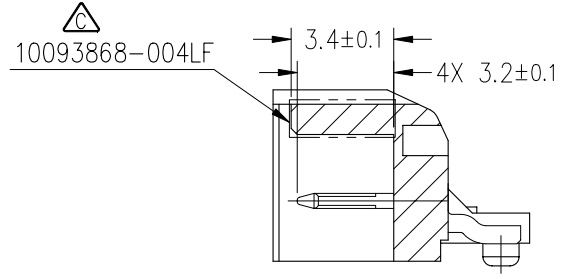
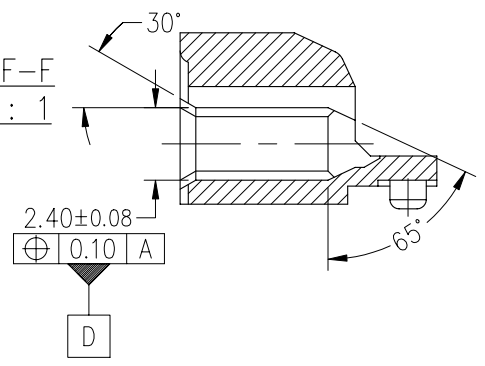
SECTION E-E
SCALE 4 : 1



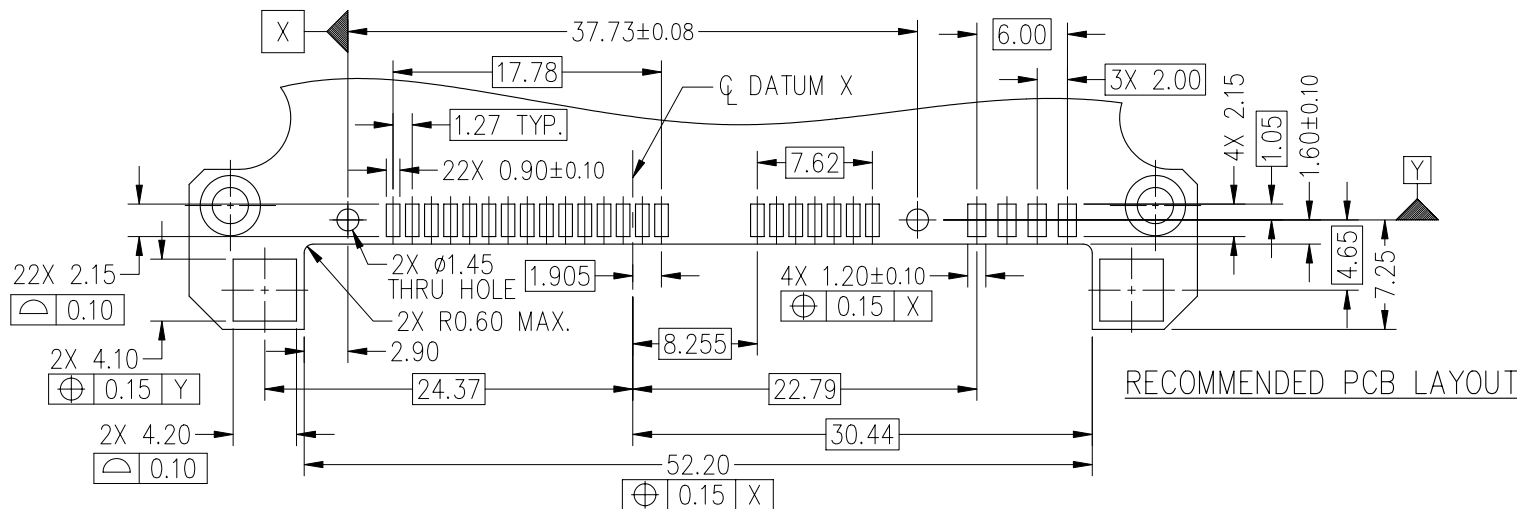
SECTION D-D
SCALE 4 : 1



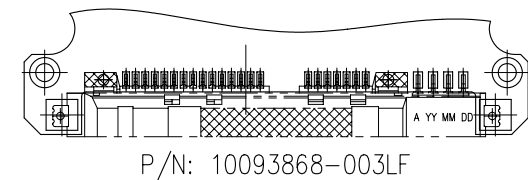
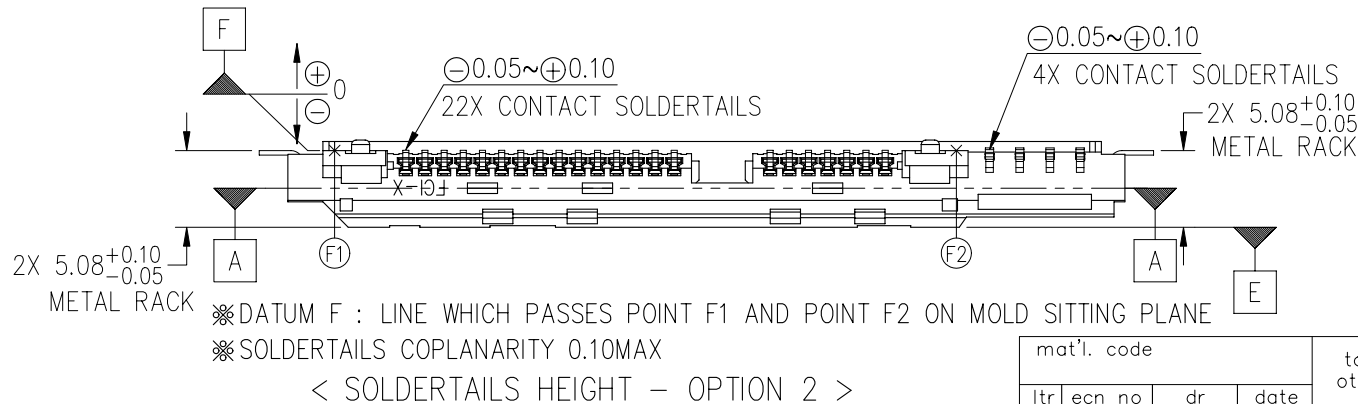
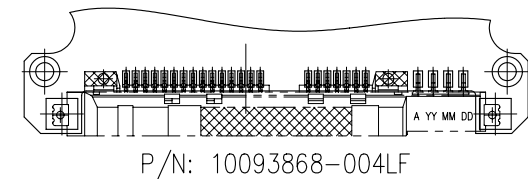
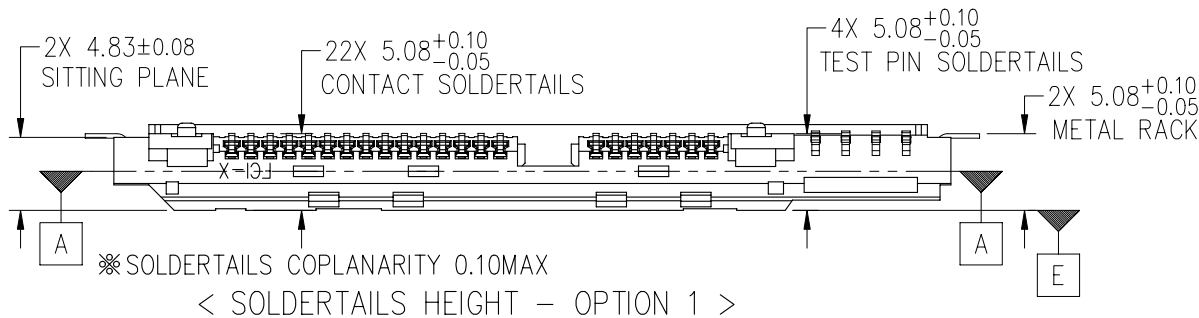
SECTION F-F
SCALE 4 : 1



mat'l. code				tolerances unless otherwise specified			projection	product family		
ltr				ecn no			mm	SATA COMBO PLUG SMT		
dr				date				title		
C				angles	linear	±.20	ASSY. SATA PLUG, SMT			
				±3'		scale 2:1	LATCH W/4 JUMPERS			
				dr	SLLIM	090420	dwg no			
				enr	SLLIM	090420	sheet 3 of 5			
				chr	SLLIM	090420	10093868			
				appd	JOEY NG	090423	A4			
							type Product Customer Drawing			
sheet index		revision sheet								



RECOMMENDED PCB LAYOUT



mat'l. code				tolerances unless otherwise specified			projection	product family	
ltr	ecn no	dr	date	angles	linear	 mm	SATA COMBO PLUG SMT		
C				±3'			scale 2:1	title	
				dr	SLLIM	090420	ASSY. SATA PLUG, SMT LATCH W/4 JUMPERS		
				enr	SLLIM	090420	dwg no		
				chr	SLLIM	090420	sheet 4 of 5		
				appd	JOEY NG	090423	size		
sheet index		revision sheet						10093868 A4	
						type		Product Customer Drawing	

NOTES :

1. MATERIALS:

- A. HOUSING:
HIGH TEMPERATURE THERMOPLASTIC MATERIAL, UL 94V-0, COLOR: BLACK.
- B. CONTACT & METAL RACKS: COPPER ALLOY.

2. FINISH:

10093868-003LF AND 10093868-004LF \triangle

- 2.1) SATA SIGNAL & POWER PINS: (MATING SIDE)
1.27um [50u"] MINIMUM, 2.54um [100u"] MAXIMUM NICKEL UNDER PLATE WITH 0.38um [15u"] MINIMUM GOLD IN CONTACT AREA.
- 2.2) JUMPER PINS (MATING SIDE)
1.27um [50u"] MINIMUM, 2.54um [100u"] MAXIMUM NICKEL UNDER PLATE WITH 0.127um [5u"] MINIMUM GOLD IN CONTACT AREA.
- 2.3) ALL SOLDER TAILS & METAL RACKS:
1.27um [50u"] MINIMUM, 2.54um [100u"] MAXIMUM NICKEL UNDER PLATE WITH 1.91um [75u"] MINIMUM PURE TIN IN CONTACT AREA.

3. PART MARKING: MANUFACTURE NAME, LOGO AND / OR DATE CODE SHALL BE MARKED THE SURFACE OF THE CONNECTOR APPROXIMATELY WHERE SHOWN.

4. ALTERNATE CORING AND RIB CONSTRUCTION FOR MOLDING PROCESS.

5. FLASH SHALL NOT COVER ANY PORTION OF THE MATING SURFACE AND SHALL NOT EXCEED 0.15mm MAX. AT NON-CRITICAL OR FUNCTIONAL AREA.

6. PACKAGING - 40 CONNECTOR PER TRAY PACKING.

7. THIS PRODUCT MEETS EUROPEAN UNION DIRECTIVES AND OTHER COUNTRY REGULATIONS AS DESCRIBED IN GS-22-008.

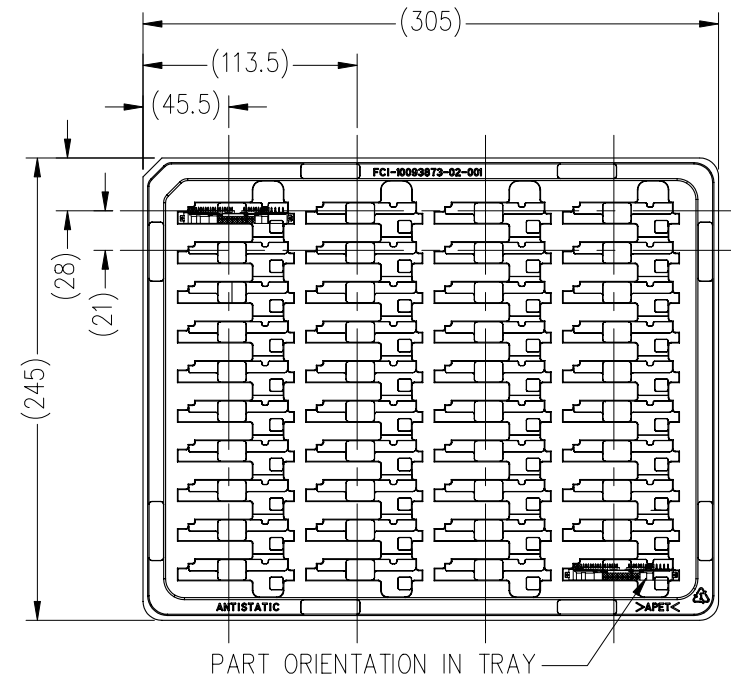
8. CPK DATA CONTROL DENOTED AND MARKED AS $\text{\textcircled{Cpk}}$

9. A \triangle SYMBOL WILL BE NEXT TO ANY DIMENSION, NEW VIEW, OR NOTE WHICH HAS BEEN MODIFIED WITH THE CURRENT DRAWING REVISION.

10. THE RETENTION FORCE: SIGNAL PIN: MINIMUM 1.32LBS (0.6Kg)/ PIN
POWER PIN: MINIMUM 2.2LBS (1.0 Kg)/PIN.

11. FACES TO BE FLAT AND WITHOUT PARTING LINE AND GATE PLACEMENT.

12. INTERPRET DIMENSIONS ACCORDING TO ASME Y14.5M - 1994.



mat'l. code				tolerances unless otherwise specified			projection	product family	
ltr	ecn no	dr	date	angles	linear	mm	SATA COMBO PLUG SMT		
C							±.20	title	
				±3'		scale 2:1	ASSY. SATA PLUG, SMT LATCH W/4 JUMPERS		
		dr	SLLIM	090420			dwg no	sheet 5 of 5	size
		enr	SLLIM	090420			10093868	A4	
		chr	SLLIM	090420			type Product Customer Drawing		
		appd	JOEY NG	090423					
sheet index		revision sheet							