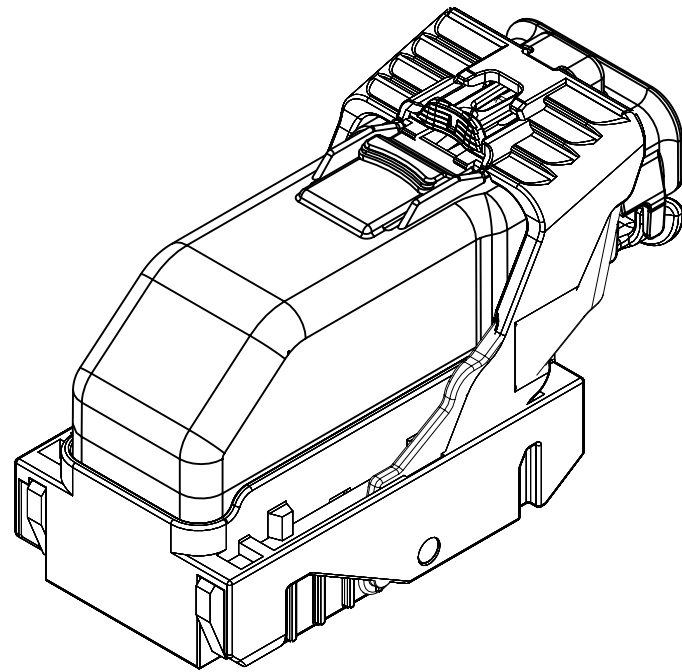

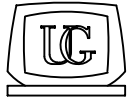


INDEX	
PAGE TITLE	PAGE
TITLE BLOCK	1
REVISION BLOCK	2
PART BLOCK	3
KPC BLOCK	4
COMPONENT TABLE	5
NOTES	6
NOTES	7
WIRE DRESS PACKAGING DIMENSIONS	8
LOCATION AND PACKAGING DIMENSIONS REFERENCING INTERFACE DATUMS B & C	9
LOCATION AND PACKAGING DIMENSIONS REFERENCING INTERFACE DATUM A	10
KEY ID REF - WIRE DRESS OPTION 0	11
KEY ID REF - WIRE DRESS OPTION 9	12
CIRCUIT CONFIGURATIONS	13
CIRCUIT CONFIGURATIONS	14
COMPONENT CONNECTOR INTERFACE	15
COMPONENT CONNECTOR INTERFACE	16
COMPONENT CONNECTOR INTERFACE	17
COMPONENT CONNECTOR INTERFACE	18
COMPONENT CONNECTOR INTERFACE	19
COMPONENT CONNECTOR INTERFACE	20
COMPONENT CONNECTOR INTERFACE	21



ISO VIEW

	<p>UNLESS OTHERWISE SPECIFIED: THIS DOCUMENT IS IN ACCORDANCE WITH ASME Y14.5M-1994 AS AMMENDED BY THE GM GLOBAL DIMENSIONING AND TOLERANCING ADDENDUM-1997. ALL GEOMETRIC TOLERANCES AND RELATED DATUMS APPLY RFS. RULE #1 (PERFECT FORM AT MMC) DOES NOT APPLY WHEN A RELATIONSHIP BETWEEN FEATURES IS ESTABLISHED BY ORIENTATION OR LOCATION TOLERANCES. SEPARATE POSITION CALLOUTS MAY BE GAGED SEPARATELY REGARDLESS OF DATUM REFERENCES.</p>			DATE						
	 CHANGE RESTRICTED NO MANUAL CHANGES	REFERENCE 12H (MOLEX AUTOMOTIVE)	DRAFTER J SZYMKOWSKI APVD1 D PFAFFINGER APVD2 B BURT APVD3 APVD4 APVD5	22DE05 22DE05 22DE05 						
DO NOT SCALE	DRAWING NAME HARNESS CONN ASM 66/73/80 CKTS									
METRIC DIMENSIONS SHOWN IN MILLIMETERS UNLESS OTHERWISE SPECIFIED	DRAWING NUMBER 12642695		DWG STATUS <table border="1"> <tr> <th>ST</th> <th>REV</th> <th>PD1</th> </tr> <tr> <td>R</td> <td>002</td> <td></td> </tr> </table>		ST	REV	PD1	R	002	
ST	REV	PD1								
R	002									
			PAGE NUMBER 1 OF 21							

PAGE	DWG STATUS					REVISION HISTORY	AUTH	DR	CK	ENG
	DATE	ST	REV	CHG	PDI					
	19DE11	R	001			RELEASED TO PRODUCTION AT DLS A	CRMRJB	SC	MRO	GF
3	08MY15	R	002	A		REORDERED PART BLOCK AND ADDED MASS CORRECTED P/N TYPO FROM 12562676 TO 12582676				
3, 5		R	002	B		ADDED 12659312, 12659313, 12653574 AND 12653575				
6		R	002	C		REMOVED NOTE 1 . D . 3 . C				
20		R	002	D		DIM 125 WAS 3.25 DIM 131 WAS 5.5	CRMRJD	DFK	MRO	GF

PAGE	DWG STATUS					REVISION HISTORY	AUTH	DR	CK	ENG
	DATE	ST	REV	CHG	PDI					

KEY PRODUCT CHARACTERISTICS
(IN ACCORDANCE WITH QN 1805 OR ON 1050)



SAFETY/COMPLIANCE

TOTAL ON
DRAWING

5



FIT/FUNCTION

LAST NO.
USED

5

NO	TYPE	DESCRIPTION	RATIONALE	PAGE/ZONE
1	F/F	32.68	IMPROVE CONNECTOR SYSTEM MATING	15
2	F/F	29.00	INSURE PROPER RELEASE OF LEVER	15
3	F/F	15.25	INSURE FINAL MATE POSITION	16
5	F/F	POSITIONAL TOLERANCE (2 PLACES)	INSURE CONNECTOR SYSTEM MATEABILITY	19



PAGE TITLE
KPC BLOCK

DRAWING NUMBER

12642695

DWG STATUS

ST	REV	PD1
----	-----	-----

R	002	
---	-----	--

PAGE NUMBER

4 OF 21

APPLICABLE COMPONENTS										
LINE	MFG.	MFG. P/N	GM P/N	EFFECTIVE DATE	DESCRIPTION	KEY OPTION	WIRE DRESS OPTION	KEY CONFIG.	COLOR	STATUS
-										
1	MOLEX	34565-0003	12582676	02JN03	MX123 DRESS COVER 66/73/80 CKT	N/A	N/A	N/A	BLACK	AVAILABLE
2	MOLEX	34822-0013	12642692	01SP13	MX123 HRNS CONN ASSY 66 CKT	A	0	1458	BLACK	AVAILABLE
3	MOLEX	34822-0033	12659312	01SP13	MX123 HRNS CONN ASSY 66 CKT	C	0	2467	BLUE	AVAILABLE
4	MOLEX	34822-0023	12642693	01SP13	MX123 HRNS CONN ASSY 66 CKT	A	9	1458	BLACK	AVAILABLE
5	MOLEX	34822-0043	12659313	01SP13	MX123 HRNS CONN ASSY 66 CKT	C	9	2467	BLUE	AVAILABLE
6	MOLEX	34566-0103	12582677	11JN04	MX123 HRNS CONN ASSY 73 CKT	A	0	1458	BLACK	AVAILABLE
7	MOLEX	34566-0203	12582678	11JN04	MX123 HRNS CONN ASSY 73 CKT	B	0	1468	ST GRAY	AVAILABLE
8	MOLEX	34566-0303	12615654	09AP08	MX123 HRNS CONN ASSY 73 CKT	C	0	2467	BLUE	AVAILABLE
9	MOLEX	34566-0403	12647268	T.B.D	MX123 HRNS CONN ASSY 73 CKT	D	0	2367	BROWN	NOT ACTIVE
10	MOLEX	34566-0503	AMJ28633	T.B.D	MX123 HRNS CONN ASSY 73 CKT	E	0	2468	GREEN	NOT ACTIVE
11	MOLEX	34566-0603	12653574	05DC14	MX123 HRNS CONN ASSY 73 CKT	F	0	1357	NATURAL	AVAILABLE
12	MOLEX	34566-0703	12588057	09AP08	MX123 HRNS CONN ASSY 80 CKT	G	0	1358	BLUE	AVAILABLE
13	MOLEX	34566-0803	12588058	11JN04	MX123 HRNS CONN ASSY 80 CKT	H	0	2458	ST GRAY	AVAILABLE
14	MOLEX	34566-0903	12615656	T.B.D	MX123 HRNS CONN ASSY 80 CKT	J	0	2457	BLACK	NOT ACTIVE
15	MOLEX	34566-1003	AMJ28595	T.B.D	MX123 HRNS CONN ASSY 80 CKT	K	0	2357	BROWN	NOT ACTIVE
16	MOLEX	34566-1103	AMJ29057	T.B.D	MX123 HRNS CONN ASSY 80 CKT	L	0	2368	GREEN	NOT ACTIVE
17	MOLEX	34566-1203	AMJ28669	T.B.D	MX123 HRNS CONN ASSY 80 CKT	M	0	2358	NATURAL	NOT ACTIVE
18	MOLEX	34566-1303	12603596	11JN04	MX123 HRNS CONN ASSY 73 CKT	A	9	1458	BLACK	AVAILABLE
19	MOLEX	34566-1403	12603597	11JN04	MX123 HRNS CONN ASSY 73 CKT	B	9	1468	ST GRAY	AVAILABLE
20	MOLEX	34566-1503	12615655	09AP08	MX123 HRNS CONN ASSY 73 CKT	C	9	2467	BLUE	AVAILABLE
21	MOLEX	34566-1603	12647269	T.B.D	MX123 HRNS CONN ASSY 73 CKT	D	9	2367	BROWN	NOT ACTIVE
22	MOLEX	34566-1703	AMJ28698	T.B.D	MX123 HRNS CONN ASSY 73 CKT	E	9	2468	GREEN	NOT ACTIVE
23	MOLEX	34566-1803	12653575	05DC14	MX123 HRNS CONN ASSY 73 CKT	F	9	1357	NATURAL	AVAILABLE
24	MOLEX	34566-1903	12603598	09AP08	MX123 HRNS CONN ASSY 80 CKT	G	9	1358	BLUE	AVAILABLE
25	MOLEX	34566-2003	12603599	11JN04	MX123 HRNS CONN ASSY 80 CKT	H	9	2458	ST GRAY	AVAILABLE
26	MOLEX	34566-2103	12615657	T.B.D	MX123 HRNS CONN ASSY 80 CKT	J	9	2457	BLACK	NOT ACTIVE
27	MOLEX	34566-2203	AMJ29117	T.B.D	MX123 HRNS CONN ASSY 80 CKT	K	9	2357	BROWN	NOT ACTIVE
28	MOLEX	34566-2303	AMJ29136	T.B.D	MX123 HRNS CONN ASSY 80 CKT	L	9	2368	GREEN	NOT ACTIVE
29	MOLEX	34566-2403	AMJ29214	T.B.D	MX123 HRNS CONN ASSY 80 CKT	M	9	2358	NATURAL	NOT ACTIVE
30	MOLEX	34736-2002	12642697	01AU10	MX64 RCPT TERM Ag 18/20 GAGE B (RIGHT PAYOFF)	N/A	N/A	N/A	N/A	AVAILABLE
31	MOLEX	34736-2001	12642696	01AU10	MX64 RCPT TERM Ag 22 GAGE B (RIGHT PAYOFF)	N/A	N/A	N/A	N/A	AVAILABLE
32	MOLEX	34586-0001	T.B.D.	11JN04	MX123 0.64MM GROMMET PLUG	N/A	N/A	N/A	NATURAL	AVAILABLE
33	YAZAKI	7116-4150-02	12588066	02JN03	2.8mm YESC SEALED FEMALE TERMINAL TIN 20/22 GAGE (CABLE RANGE 0.30mm-0.60mm)	N/A	N/A	N/A	N/A	NOT ACTIVE
34	YAZAKI	7116-4151-02	12588067	02JN03	2.8mm YESC SEALED FEMALE TERMINAL TIN 16/18 GAGE (CABLE RANGE 0.75mm-1.40mm)	N/A	N/A	N/A	N/A	NOT ACTIVE
35	YAZAKI	7116-4152-02	12582685	02JN03	2.8mm YESC SEALED FEMALE TERMINAL TIN 14 GAGE (CABLE RANGE 1.50mm-2.50mm)	N/A	N/A	N/A	N/A	AVAILABLE
36	YAZAKI	7158-3111-60	12588068	02JN03	2.8mm CABLE SEAL (wire O.D. range 1.20mm-1.90mm)	N/A	N/A	N/A	GREEN	NOT ACTIVE
37	YAZAKI	7158-3112-70	12588069	02JN03	2.8mm CABLE SEAL (wire O.D. range 1.80mm-2.30mm)	N/A	N/A	N/A	YELLOW	NOT ACTIVE
38	YAZAKI	7158-3113-40	12582686	02JN03	2.8mm CABLE SEAL (wire O.D. range 2.18mm-3.00mm)	N/A	N/A	N/A	WHITE	AVAILABLE
39	YAZAKI	7158-3114-90	T.B.D	02JN03	2.8mm YESC CAVITY PLUG	N/A	N/A	N/A	BLUE	AVAILABLE
40	MOLEX	63811-4200	XX019825	02JN03	MX64 TERM HAND CRIMP TOOL	N/A	N/A	N/A	N/A	AVAILABLE
41	MOLEX	63813-1400	XX019826	02JN03	MX64 TERM SERVICE TOOL	N/A	N/A	N/A	N/A	AVAILABLE
42	MOLEX	63865-8000	XX019827	02JN03	MX64 CRIMP APPLICATOR with TOOL KIT 18/20 GAGE PAYOFF DIRECTION D (left payoff) (contact Molex for payoff detail)	N/A	N/A	N/A	N/A	AVAILABLE
43	MOLEX	63865-8070	XX019828	02JN03	MX64 APPLICATOR TOOL KIT 18/20 GAGE	N/A	N/A	N/A	N/A	AVAILABLE
44	MOLEX	63865-8100	XX019829	02JN03	MX64 CRIMP APPLICATOR with TOOL KIT 22 GAGE PAYOFF DIRECTION D (left payoff) (contact Molex for payoff detail)	N/A	N/A	N/A	N/A	AVAILABLE
45	MOLEX	63865-8170	XX019830	02JN03	MX64 APPLICATOR TOOL KIT 22 GAGE	N/A	N/A	N/A	N/A	AVAILABLE
46	SPX	J35616-64	T.B.D.	02JN03	0.64mm PROBE TOOL (for rcpt)	N/A	N/A	N/A	N/A	AVAILABLE
47	SPX	J35616-64A	T.B.D.	02JN03	0.64mm PROBE TOOL WITH EXT (for rcpt)	N/A	N/A	N/A	N/A	AVAILABLE
48	SPX	J35616-65	T.B.D.	02JN03	0.64mm PROBE TOOL WITH EXT (for pin)	N/A	N/A	N/A	N/A	AVAILABLE
49	SPX	J35616-4A	T.B.D.	02JN03	2.8mm PROBE TOOL (for rcpt)	N/A	N/A	N/A	N/A	AVAILABLE
50	YAZAKI	X39899-J374	12094430	02JN03	2.8mm TERM SERVICE TOOL	N/A	N/A	N/A	N/A	AVAILABLE

002B

* - MX123 DRESS COVER 73/80/66 CKT MATES TO ANY MX123 HARN CONN ASSY SHOWN ON TABLE ABOVE



PAGE TITLE
COMPONENT TABLE

DRAWING NUMBER
12642695

DWG STATUS			PAGE NUMBER
ST	REV	PD1	
R	002		

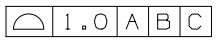
5 OF 21

NOTES: UNLESS OTHERWISE SPECIFIED

1. MATERIAL FOR INTERFACE:

- A. RESIN:
 - 1. 30% G.F. PBT; 20% MAX. (BY WEIGHT) REGRIND.
 - 2. MATING CONNECTOR INTERFACE PART COLOR MUST BE SAME AS MATCHING KEYED HARNESS CONNECTOR ASSEMBLY.
 - 3. MUST BE VALIDATED FOR INDIVIDUAL DEVICE APPLICATION REQUIREMENTS.
- B. 0.64MM PINS:
 - 1. BASE MATERIAL: COPPER ALLOY; CONDUCTIVITY >= 28% IACS AT 20°C; TENSILE STRENGTH >= 635 N/mm²; SURFACE ROUGHNESS R_a 6 MAX.
 - 2. PLATING FINISH: SILVER (Ag). PLATING TO BE 1.9-3.3 μm ELECTRODEPOSITED SEMI-BRIGHT SILVER OVER 1.25-2.25 μm DUCTILE SULPHAMATE NICKEL PER NOTE 1(D).
 - 3. ANTI-TARNISH: SYNTHETIC HYDROCARBON CONTACT SURFACE FINISH OR EQUIVALENT APPLIED WITHOUT VOID TO CONTACT AREA (MIN 3.7mm FROM PIN TIP).
- C. 2.8MM BLADE:
 - 1. BASE MATERIAL: COPPER ALLOY; CONDUCTIVITY >= 28% IACS AT 20°C; TENSILE STRENGTH >= 350 N/mm²; SURFACE ROUGHNESS R_a 6 MAX.
 - 2. PLATING FINISH: TIN. PLATING TO BE 2.5-5.0 μm ELECTRODEPOSITED TIN, MATTE FINISH OVER 1.25-2.5 μm DUCTILE SULPHAMATE NICKEL PER NOTE 1(D).
- D. PLATING REQUIREMENTS:
 - 1. SILVER PLATING
 - a. 99.5% PURE SEMI-BRIGHT WITH NO ORGANIC BRIGHTNERS OR CHROMATES.
 - 2. NICKEL PLATING
 - a. ELECTRODEPOSITED DUCTILE SULFAMATE NICKEL WITH A NON-BRIGHTENED FINISH. NO ORGANIC OR BRIGHTENING AGENTS SHALL BE ALLOWED.
 - b. SHALL ONLY BE USED AS AN UNDERLYING PLATING AND MAY NOT BE USED AS AN ELECTRICAL CONTACT SURFACE PLATING.
 - c. SHALL BE NODULE FREE WHEN VIEWED AT 10X MAGNIFICATION IN MEASURED IN CONTACT SURFACE AREA PLUS 0.5MM PERIMETER AROUND THE CONTACT SURFACE AREA.
 - d. ALL PLATINGS SHALL HAVE A 1.0% MAXIMUM BY WEIGHT IMPURITIES. IMPURITIES ARE DEFINED AS ALL ELEMENTS NOT THE PRIMARY PLATING OR HARDENING AGENT IF APPLICABLE, AS DETERMINED BY WET CHEMICAL ANALYSIS OR AUGER METHOD. NO SINGLE IMPURITY SHALL EXCEED 0.1% MAXIMUM BY WEIGHT.
 - 3. TESTING
 - a. THICKNESS TO BE MEASURED IN CONTACT SURFACE AREA PLUS 0.5MM PERIMETER AROUND THE CONTACT SURFACE AREA AS DESIGNATED IN THE DRAWING. THICKNESS SHALL BE DETERMINED BY METHOD OF X-RAY (XRF).
 - b. PLATING ADHESION SHALL BE TESTED BY A BEND TEST FOR ALL METALS. THE TEST SAMPLE SHALL BE BENT 90 DEGREES TO DETERMINE DEPOSIT ADHESION. TESTING SHALL BE COMPLETED IN ACCORDANCE WITH ASTM SPEC B571.


2. DESIGN - GENERAL:

- A. THIS IS A 100% CAD GENERATED PART. THE CAD MATHEMATICAL DATA IS THE MASTER FOR THIS PART. FOR DIMENSIONAL OR ANY INFORMATION NOT SHOWN ON THIS DRAWING, ANALYZE THE CAD MODEL.
- B. TOLERANCES:
 - 1. LINEAR
 - 0.X ± 0.30
 - 0.XX ± 0.10
 - 0.XXX ± 0.10
 - 2. ANGULAR X° ± 3°
 - 3. 
- C. MINIMUM WALL THICKNESS REQUIRED: 1.3mm.
- D. CORNERS SHOWN AS SHARP TO BE R 0.2 MAX.
- E. LETTERING SHALL BE 0.15 MAX RAISED IN 0.20 MAX RECESS PAD. THIS INCLUDES MATERIAL CODE, RECYCLING CODE, CAVITY ID AND DATE CODE.
- F-1. PARTS MUST BE FREE OF DISCOLORATION, SALT RESIDUE AND OTHER IMPERFECTIONS THAT AFFECT FIT OR FUNCTION.
- F-2. SCRATCHES OR DENTS NOT TO EXCEED 0.013mm IN DEPTH.
- G. FOLLOWING PRODUCTION CODES TO BE PERMANENTLY MARKED & HUMAN READABLE TO A LETTER HEIGHT OF 1.5 ± 0.5MM X 0.3 MAX DEEP
 - 1. MATERIAL #: XXXXX-XXXX
 - 2. DATE CODE: JJYY (JULIAN DAY, LAST DIGIT OF YEAR)
 - 3. INSPECTION MACHINE CODE + SERIAL #: X_XXXXX

3. DESIGN - MANUFACTURING:

- A. DRAFT TO BE WITHIN TOLERANCE.
- B. ALLOWABLE FLASH MAX 0.2 HIGH X MAX 0.13 THICK.
- C. ALLOWABLE PARTING LINE MISMATCH 0.2 MAX.
- D. EJECTOR PINS MARK TO BE FLUSH TO 0.25 MAX DEPRESSED.
- E. ALLOWABLE GATE VESTIGE FLUSH TO 0.25 MAX PROTRUSION.
- F. NO EXTERNAL MOLD RELEASE AGENT ALLOWED DURING MANUFACTURING.
- G. STEEL THAT FORMS THE INDICATED SURFACE MUST BE POLISHED WITH A DIAMOND FINISH (SPI A-2) OVER THE FULL PERIPHERY OF THE TOOL. SURFACE MUST HAVE NO MISMATCH.
- H. ANY PROCESS LUBRICANT REMAINING ON THE TERMINAL MUST NOT VARNISH OR DEGRADE IT'S ELECTRICAL PERFORMANCE UP TO A MAXIMUM CLASS AMBIENT TEMPERATURE PER SAE USCAR-2 FOR 1008 HOURS. PROCESS LUBRICANTS SHOULD BE APPROVED BY THE RESPONSIBLE ENGINEER.
- J. OPTIONAL FEATURES PROVIDED FOR AUTOMATION.
- K. PART MUST BE FREE FROM BURRS AND SHARP EDGES, WHICH MIGHT BE DETRIMENTAL TO SATISFACTORY ASSEMBLY, SAFE HANDLING OR FUNCTION OF PART.
- L. PARTS AS DELIVERED TO ASSEMBLY SHALL BE CLEAN AND FREE OF DEBRIS, RESIDUAL ABRASIVE MATERIAL AND CORROSION PRODUCTS ADVERESLY AFFECTING FUNCTION OR APPEARENCE.
- M. RESTRICTED AND REPORTABLE SUBSTANCES FOR PARTS PER GMW3059.

002C

	PAGE TITLE	DRAWING NUMBER 12642695	DWG STATUS			PAGE NUMBER	
	NOTES		ST	REV	PDI	6	OF 21
			R	002			

NOTES: UNLESS OTHERWISE SPECIFIED

4. SYSTEM REQUIREMENTS:

A. HARNESS CONNECTOR IS COMPATIBLE WITH THE FOLLOWING SAE WIRE SIZE NO'S:

- 14, MEETING SAE J1128
- 18, MEETING SAE J1128, MAX O.D. OF 2.06 MM
- 20, MEETING SAE J1128
- 22, MEETING SAE J1128, MIN O.D. OF 1.47 MM

B. CABLE TIE SPECIFICATIONS:

- 1. CABLE TIE:
 - TENSILE RATING: 220N / (50lbs) MIN
 - TIE LENGTH: 186mm MIN
 - TIE WIDTH: 4.75mm MAX
 - MATERIAL: NYLON
- 2. INSTALLATION:
 - CABLE TIE TENSION: 190N MIN
- 3. DRESSED WIRE BUNDLE PACKAGING: SEE FIG. 1

C. WHEN MATED WITH COMPONENT CONNECTOR INTERFACE AND/OR DRESS COVER, HARNESS CONNECTOR SYSTEM CONFORMS TO THE FOLLOWING:

- 1. SAE/USCAR-2, REV: 3 APRIL, 2001; CLASS 3
- 2. FIELD CORRELATED LIFE TEST, SAE/USCAR-20, NOV. 2001
- 3. GMW #3191 AUGUST 22, 2000 (DRAFT); TEMPERATURE CLASS 3, SEALING CLASS 1, VIBRATION CLASS 2
- 4. RESTRICTED AND REPORTABLE CHEMICALS PER GMW #3059, REV: D AUGUST 2002
- 5. TPA USER FORCES (FULLY POPULATED WITH TERMINALS)
 - a. REMOVAL FROM LOCK TO PRE-SET: <=120N

D. WIRE SPECIFICATIONS:

- 1. WIRE SURFACE MUST BE FREE OF SCRATCHES, GROOVES OR DENTS WHERE FUNCTIONAL

5. TERMINAL CURRENT RATINGS:

ALL TESTING DONE IN ACCORDANCE WITH USCAR-2 REV5 SECTION 5.3

A. MX64 RCPT TERM

- 1. MX64 RCPT TERM Ag 18/20 GAGE CRIMPED TO SAE WIRE SIZE NO.18 AND MATED TO MX123 0.64MM PIN: 11.3 AMPS
- 2. MX64 RCPT TERM Ag 22 GAGE CRIMPED TO SAE WIRE SIZE NO.22 AND MATED TO MX123 0.64MM PIN:8.5 AMPS

WIRE	CURRENT RATING			
	23°C	85°C	105°C	125°C
18AWG	11.3A	11.3A	9.5A	6.6A
20AWG	10.0A	10.0A	8.3A	5.7A
22AWG	8.6A	8.6A	7.1A	5.0A

B. 2.8MM RCPT TERM

- 1. 2.8MM RCPT TERM TIN 14 GAGE CRIMPED TO SAE WIRE SIZE NO.14 AND MATED TO MX123 2.8MM BLADE: 25.6 AMPS

6. CONTACT MOLEX AUTOMOTIVE FOR AVAILABLE CUSTOM PATTERNS OF CAVITIES OPEN FOR CIRCUITS



PAGE TITLE
NOTES

DRAWING NUMBER

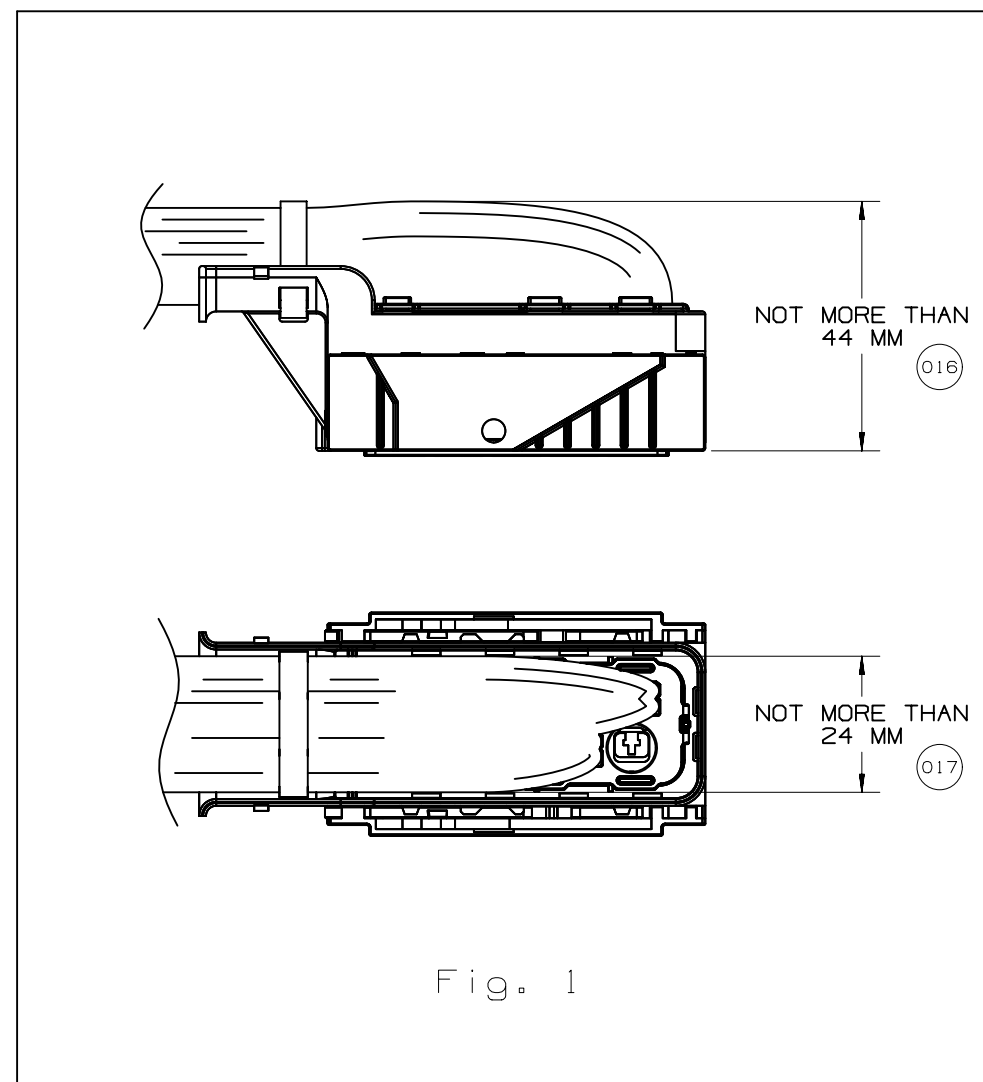
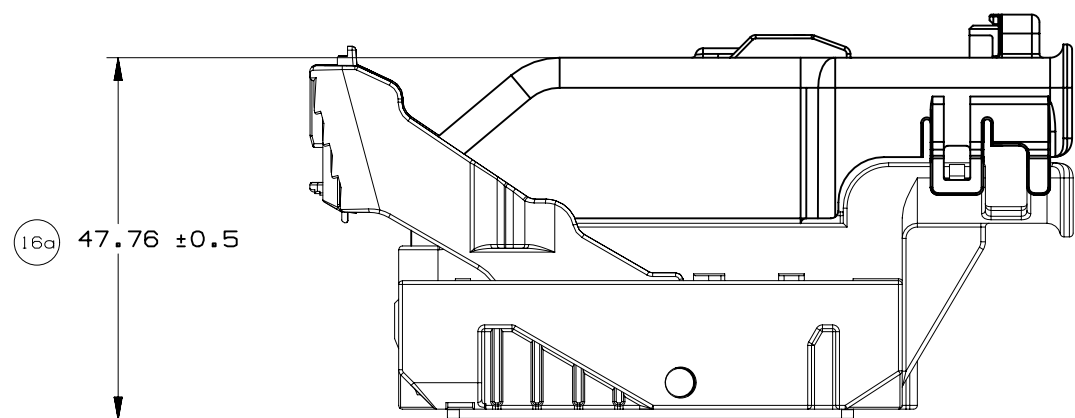
12642695

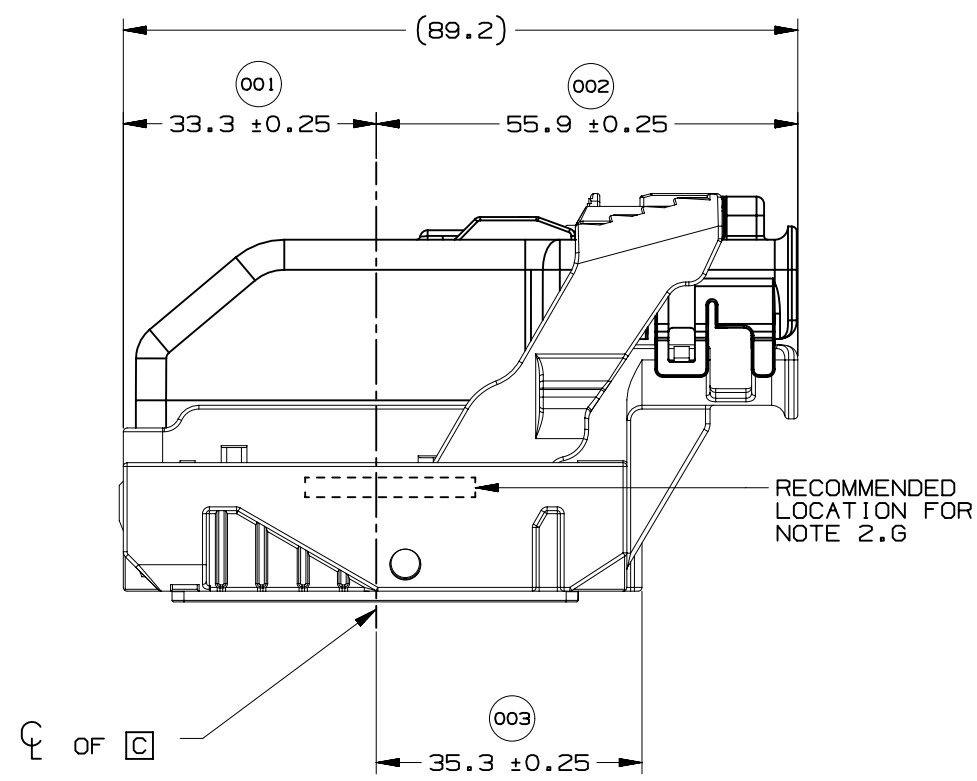
DWG STATUS

ST	REV	PDI
R	002	

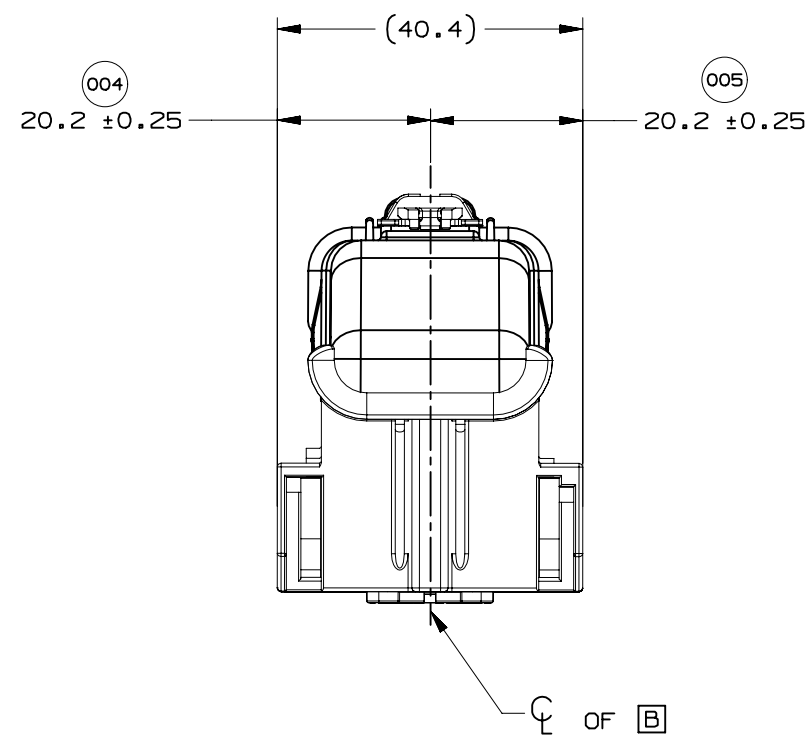
PAGE NUMBER

7 OF 21

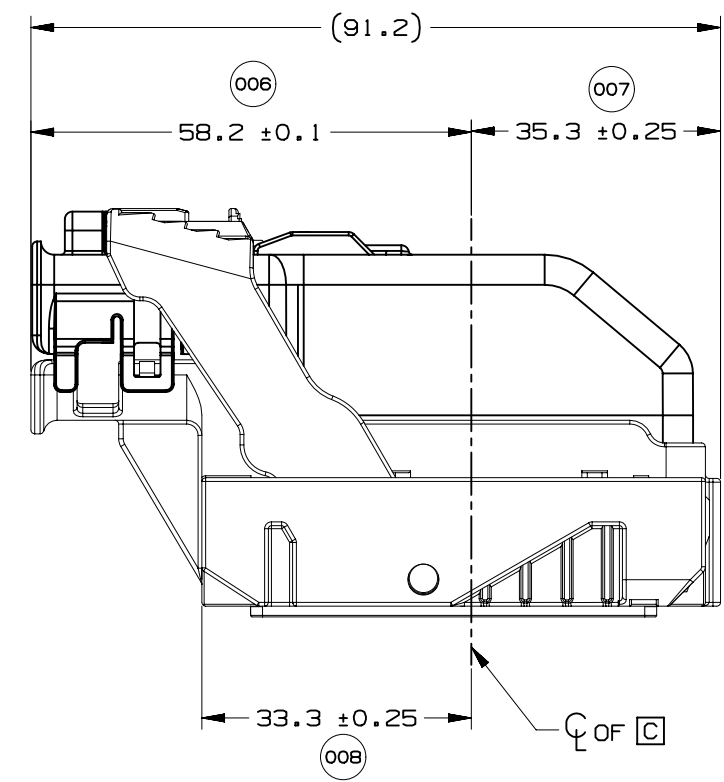




WIRE DRESS OPTION 0 SHOWN

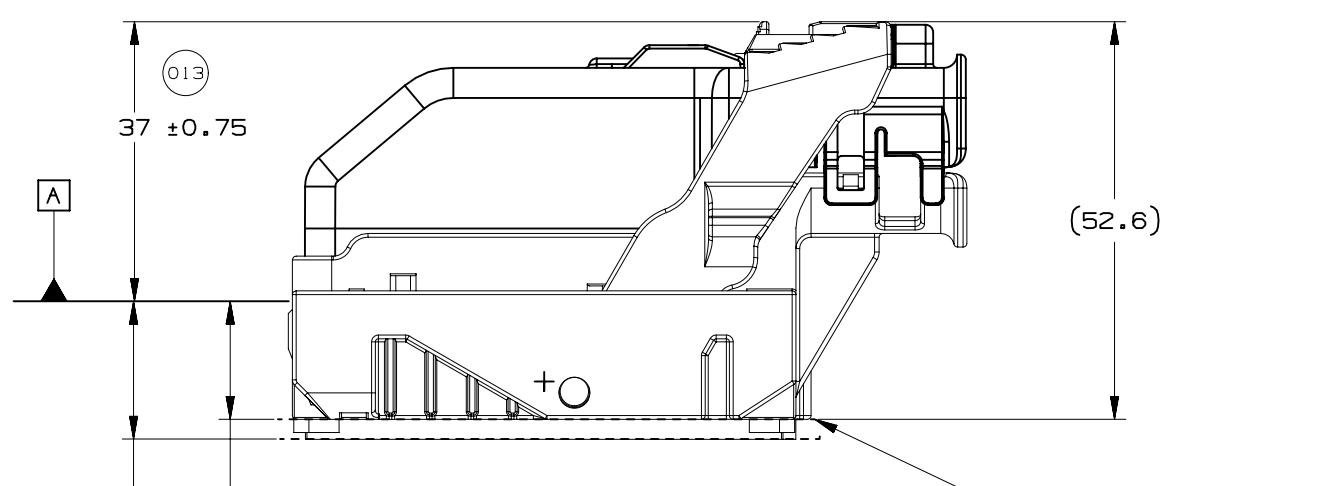
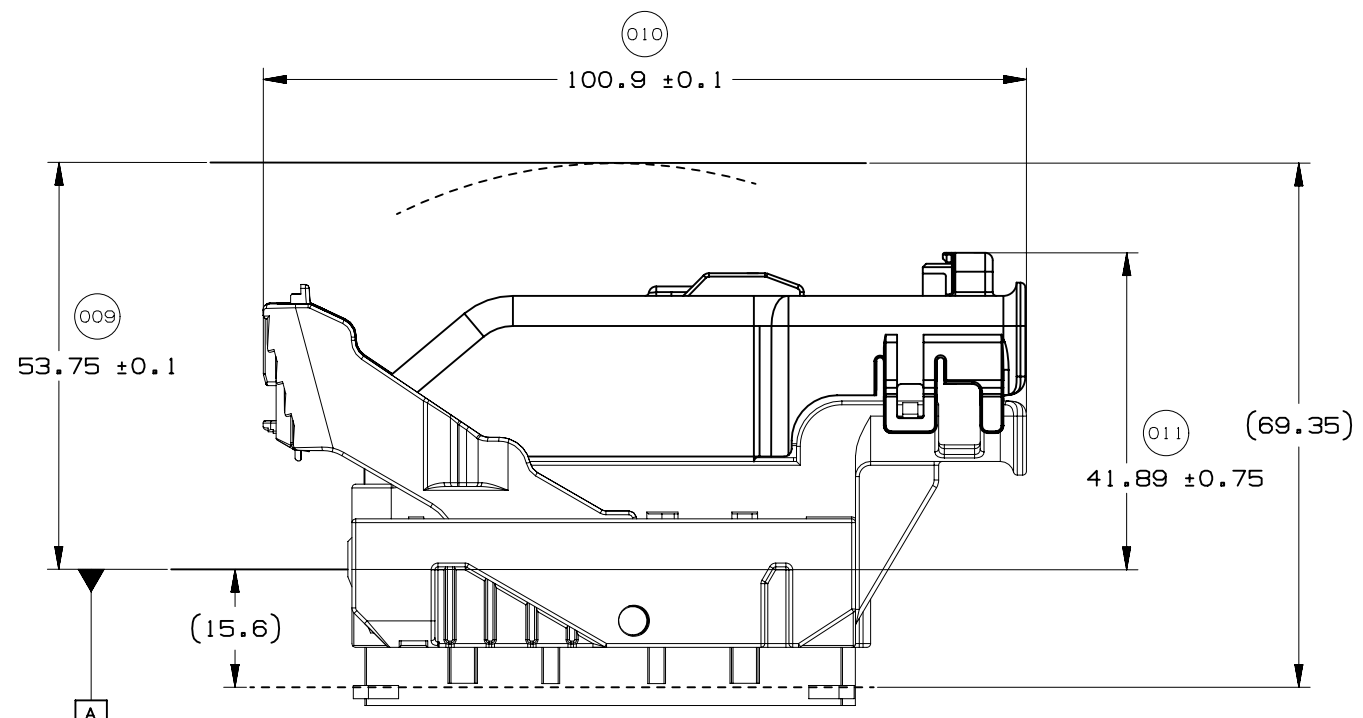
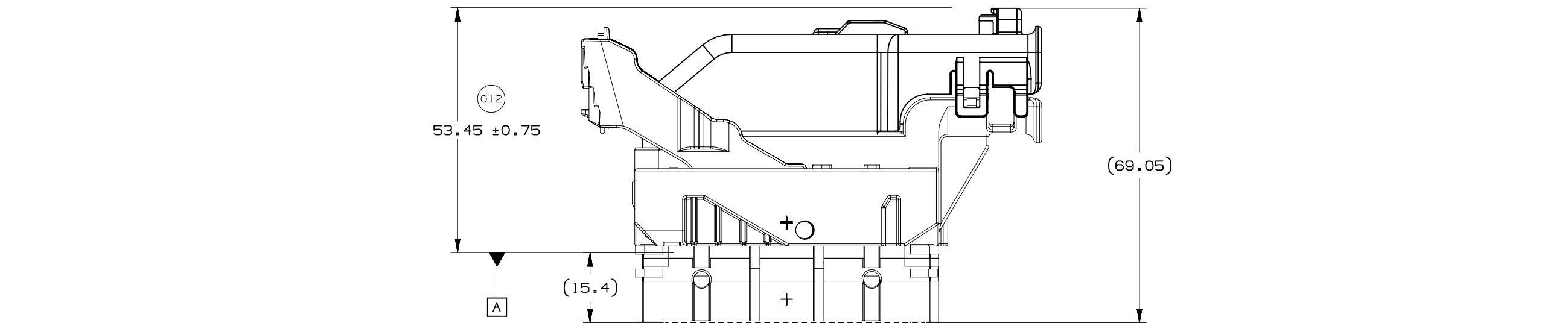


WIRE DRESS OPTION 0 SHOWN



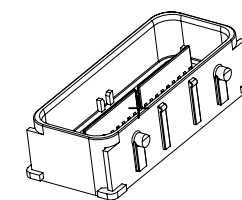
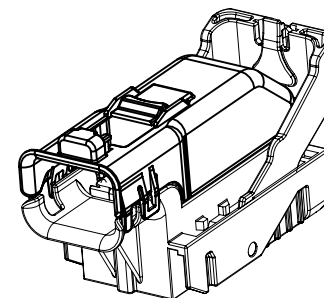
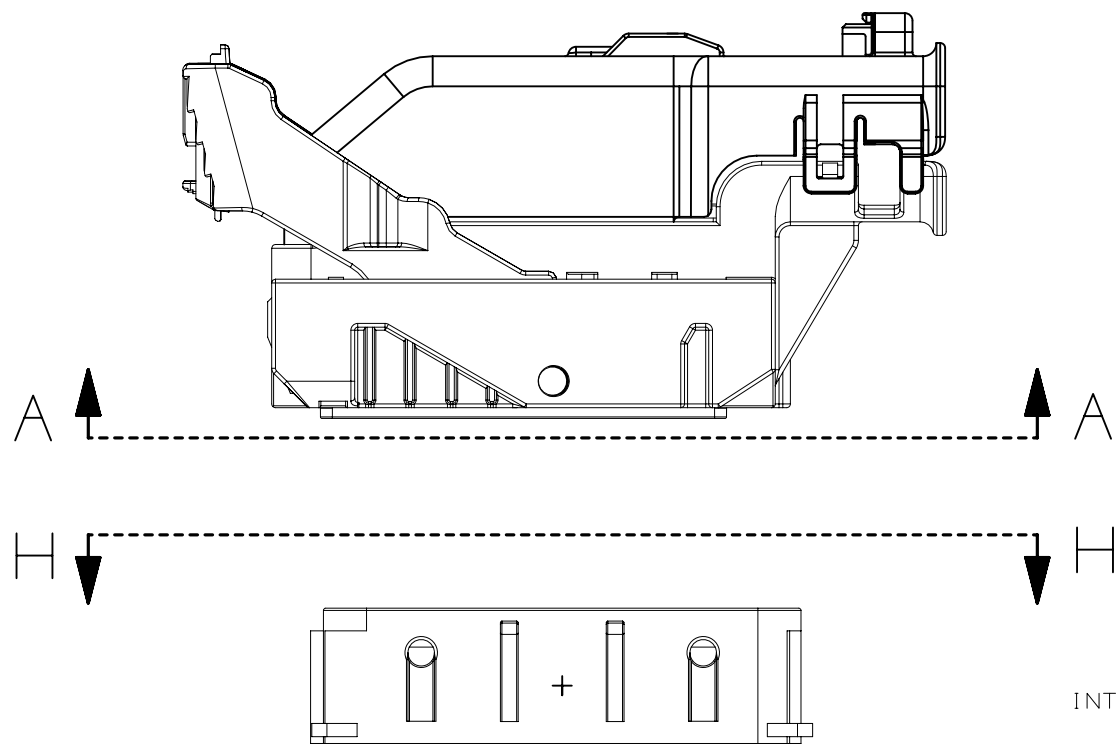
WIRE DRESS OPTION 9 SHOWN





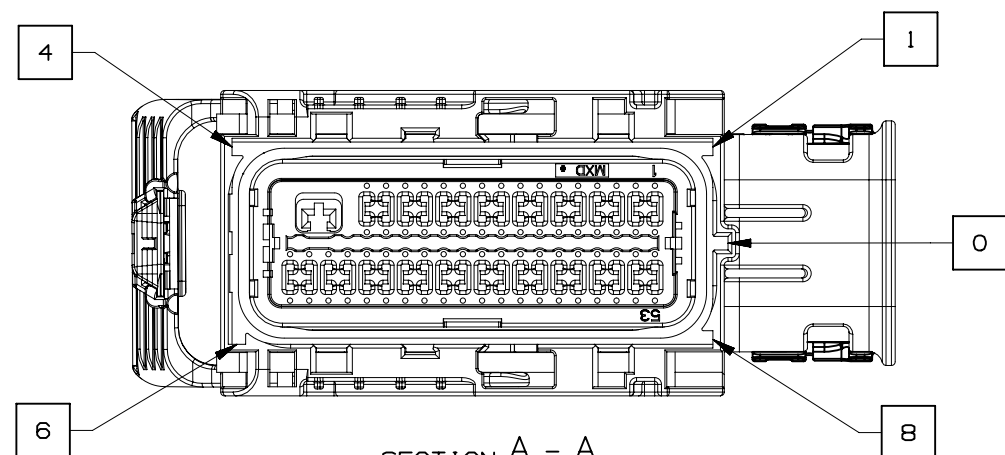
17.9 MIN. AT PAD LOCATION
 CLEARANCE REQUIRED
 FOR HARNESS CONNECTOR
 CONSTRUCTION BELOW THIS
 PLANE IS NOT CONTROLLED

015

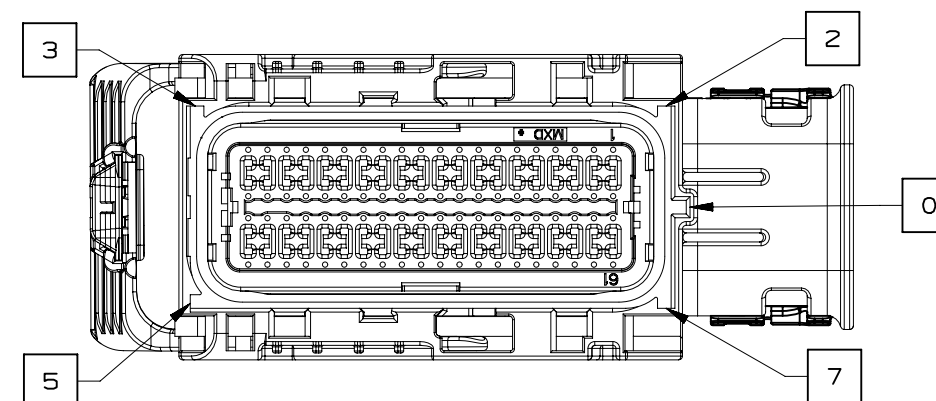


NOTE: REFERENCE THE COMPONENT TABLE FOR KEY OPTIONS AND CONFIGURATIONS

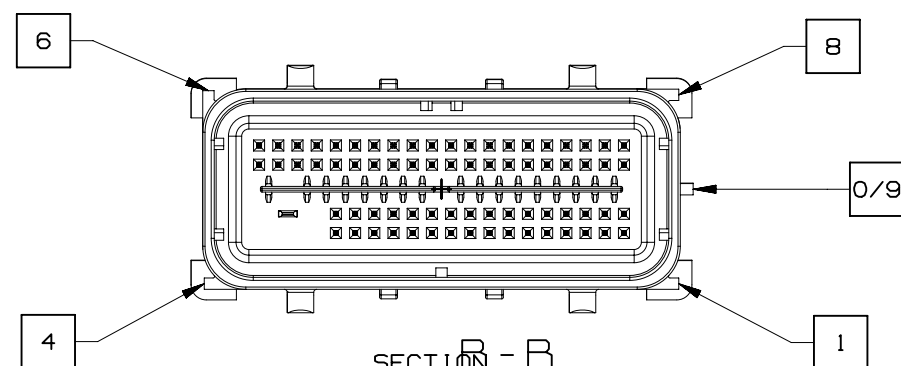
INTERFACE SIDE SHOWN ON ALL SECTION VIEWS



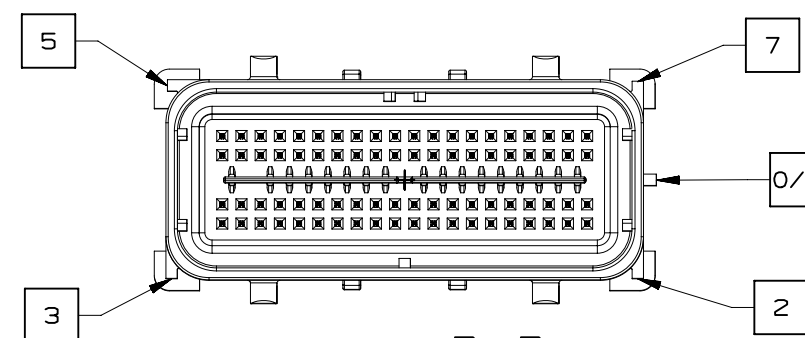
SECTION A - A
KEY OPTION B SHOWN



SECTION A - A
KEY OPTION K SHOWN



SECTION B - B
KEY OPTION B SHOWN



SECTION B - B
KEY OPTION K SHOWN

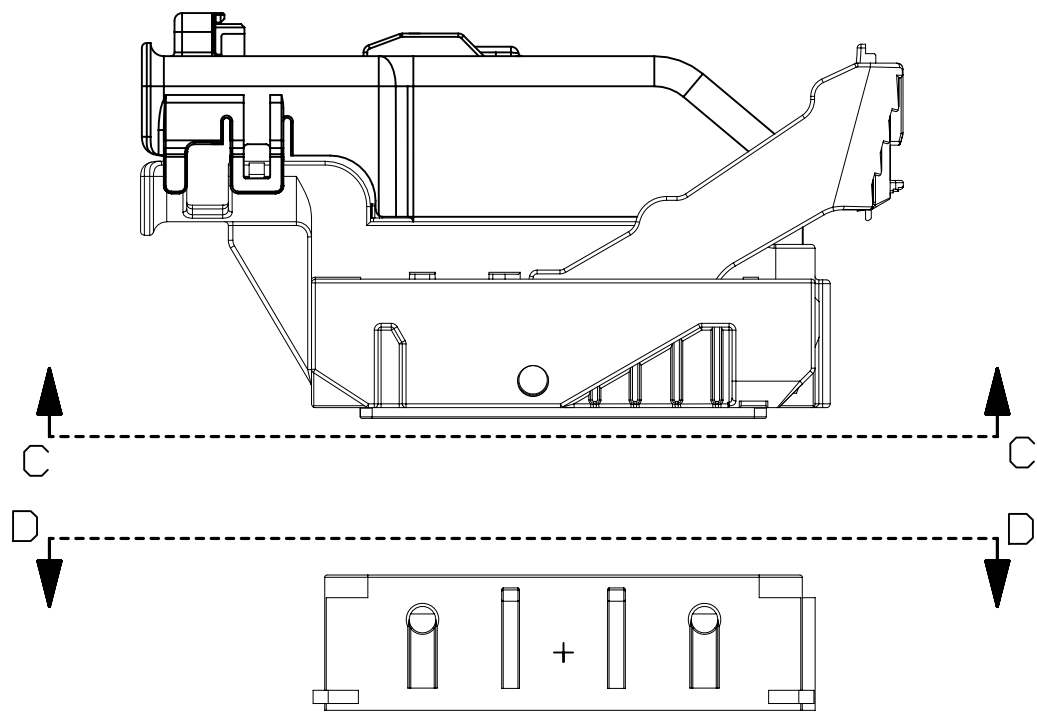


PAGE TITLE
KEY ID REF - WIRE DRESS OPTION 0

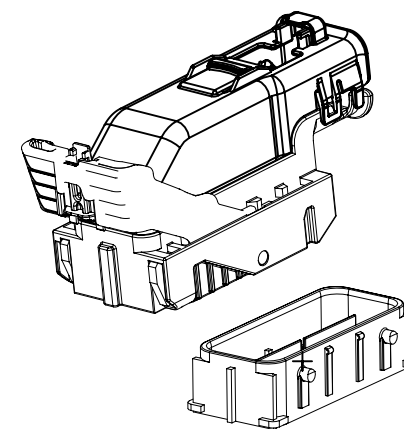
DRAWING NUMBER
12642695

DWG STATUS		
ST	REV	PD1
R	002	

PAGE NUMBER
11 OF 21

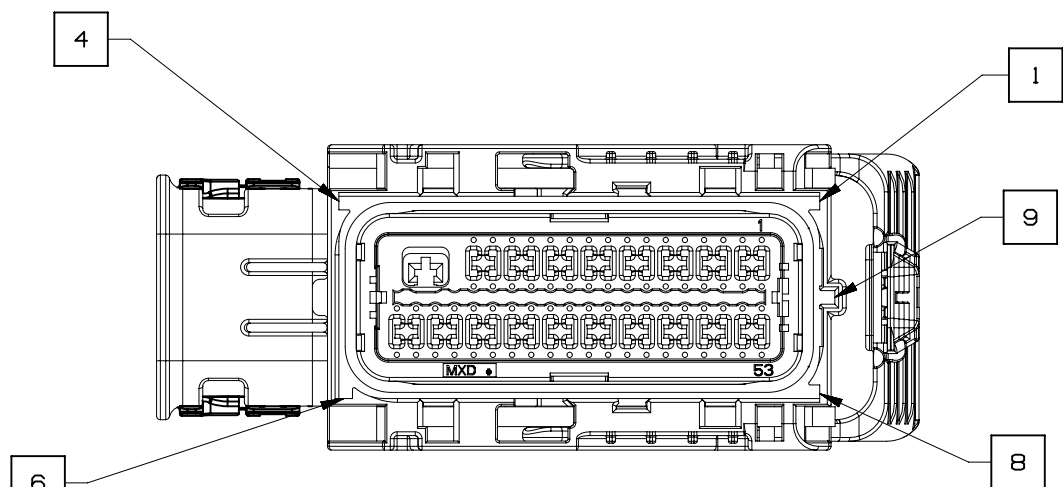


INTERFACE SIDE SHOWN ON ALL SECTION VIEWS

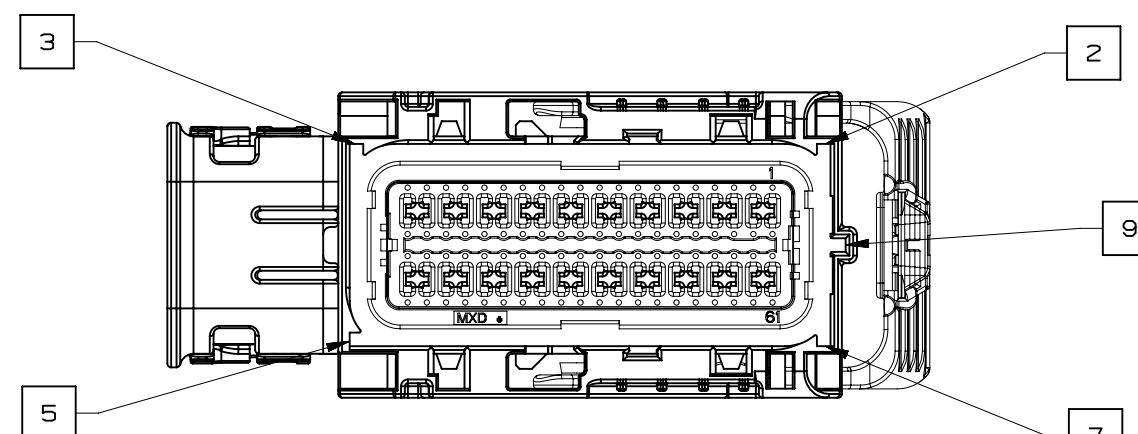


NOTE: REFERENCE THE COMPONENT TABLE FOR KEY OPTIONS AND CONFIGURATIONS

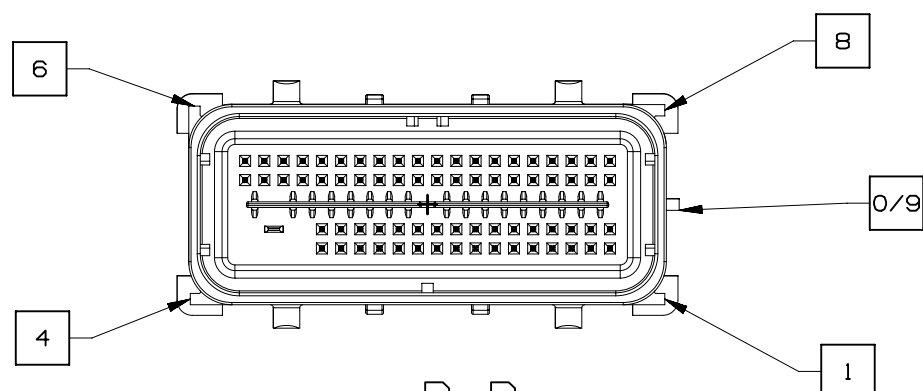
VIEW V



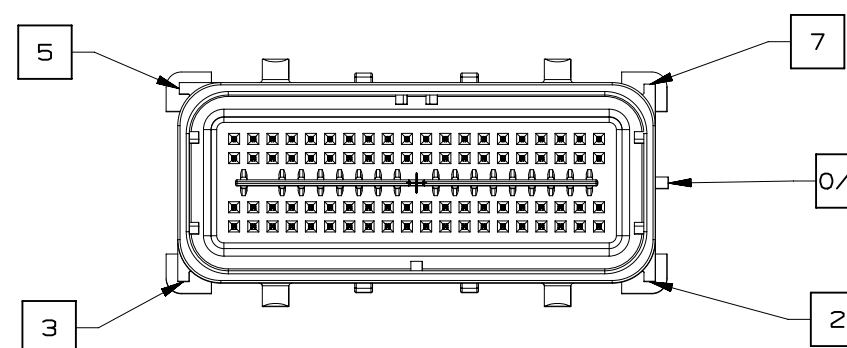
SECTION C-C
KEY OPTION B SHOWN



SECTION C-C
KEY OPTION K SHOWN



SECTION D-D
KEY OPTION B SHOWN



SECTION D-D
KEY OPTION K SHOWN

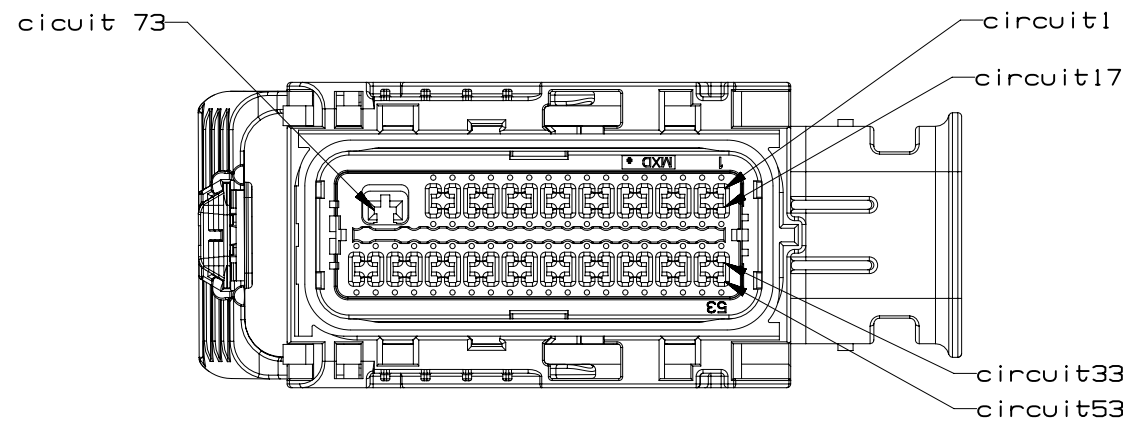


PAGE TITLE
KEY ID REF - WIRE DRESS OPTION 9

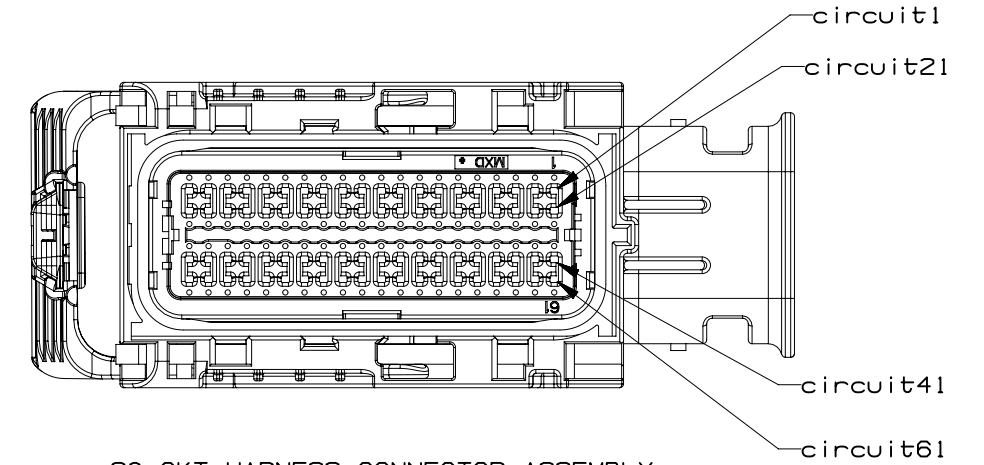
DRAWING NUMBER
12642695

DWG STATUS		
ST	REV	PD1
R	002	

PAGE NUMBER
12 OF 21

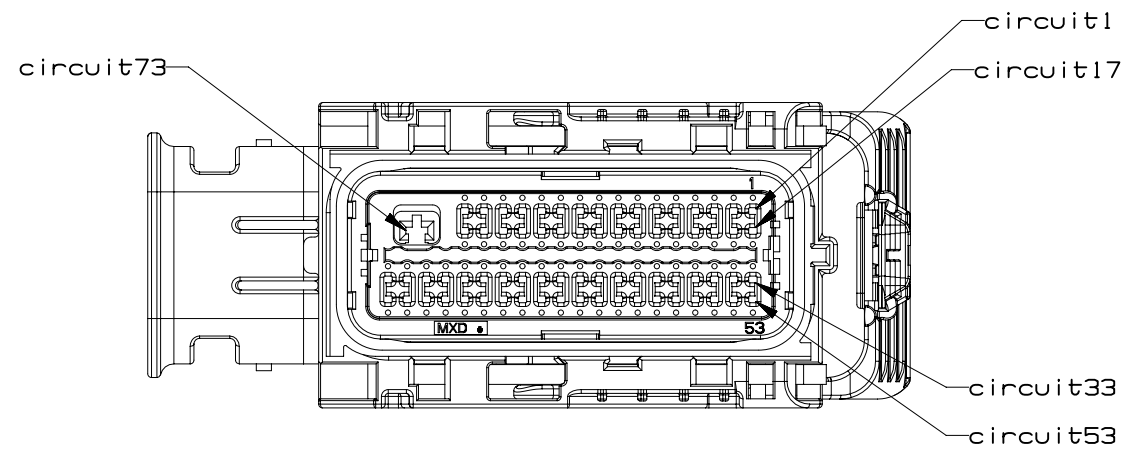


73 CKT HARNESS CONNECTOR ASSEMBLY
WIRE DRESS OPTION 0

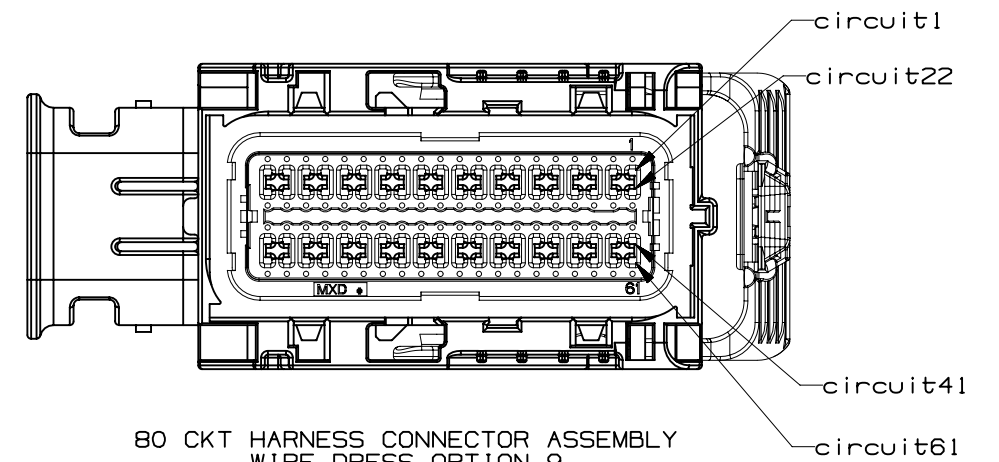


80 CKT HARNESS CONNECTOR ASSEMBLY
WIRE DRESS OPTION 0

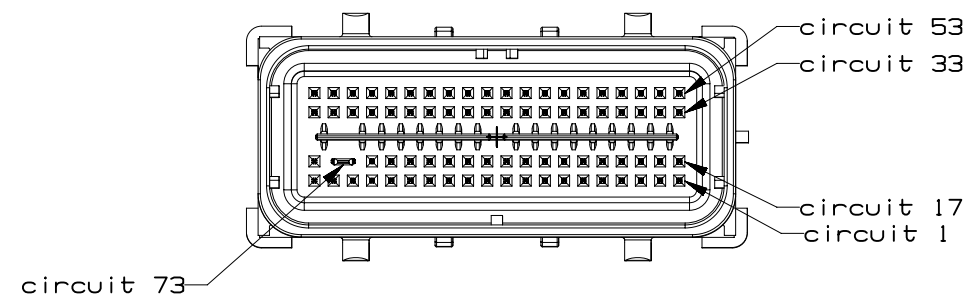
INTERFACE SIDE SHOWN ON ALL VIEWS



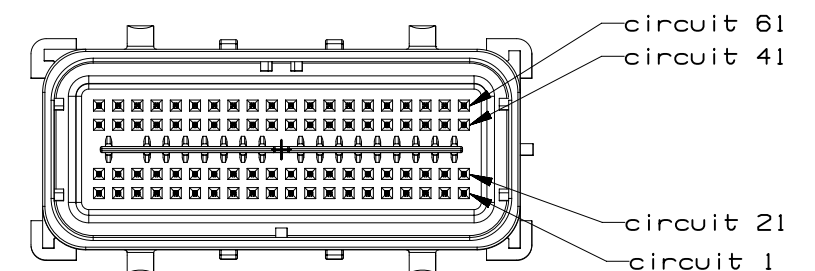
73 CKT HARNESS CONNECTOR ASSEMBLY
WIRE DRESS OPTION 9



80 CKT HARNESS CONNECTOR ASSEMBLY
WIRE DRESS OPTION 9

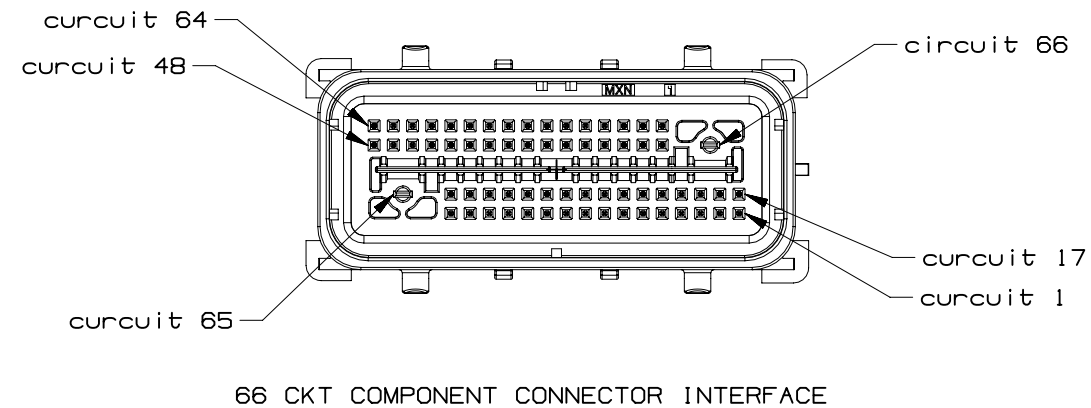
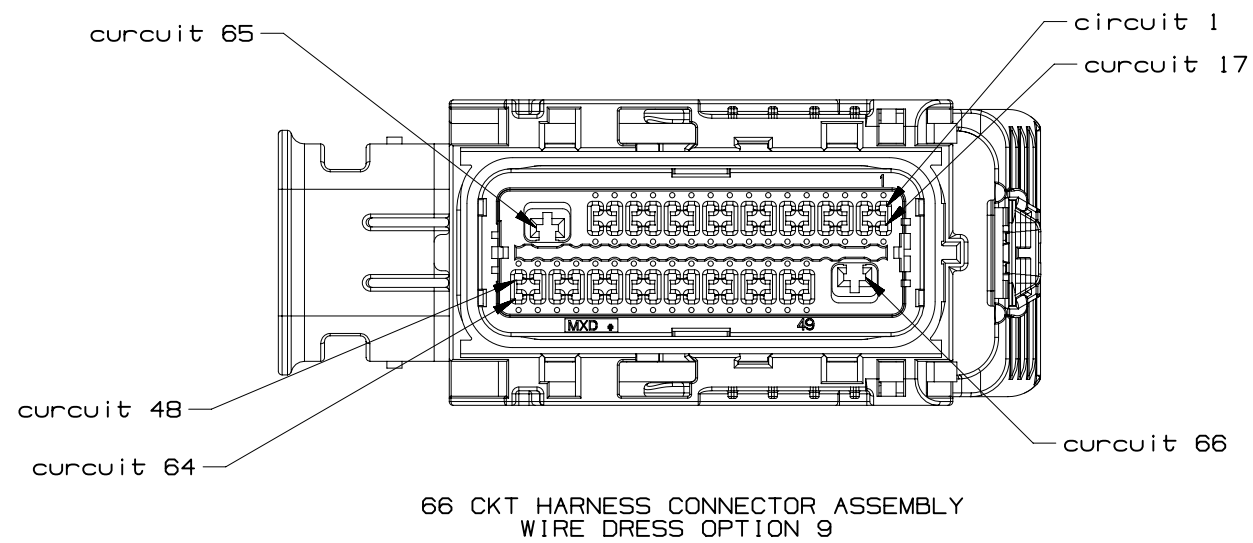
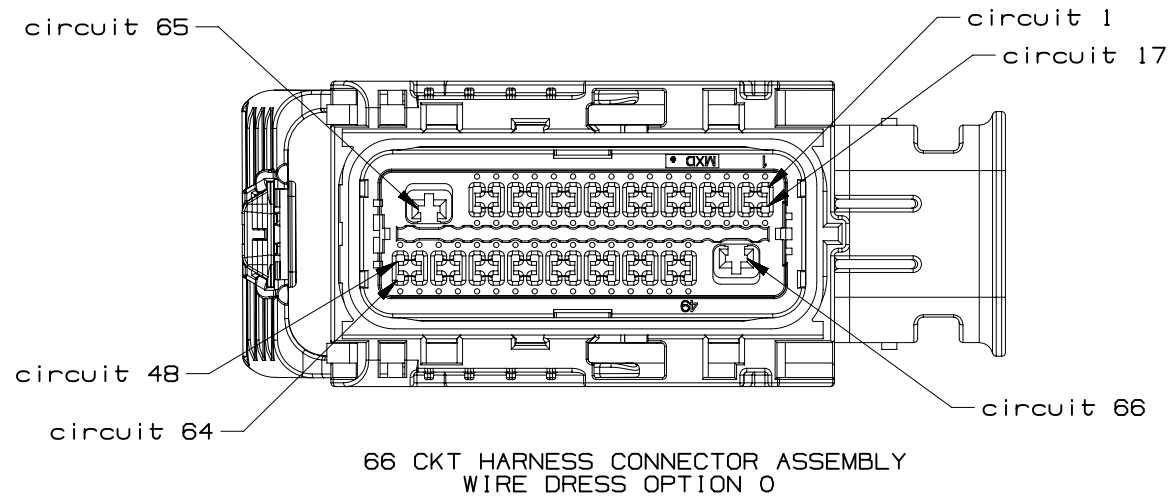


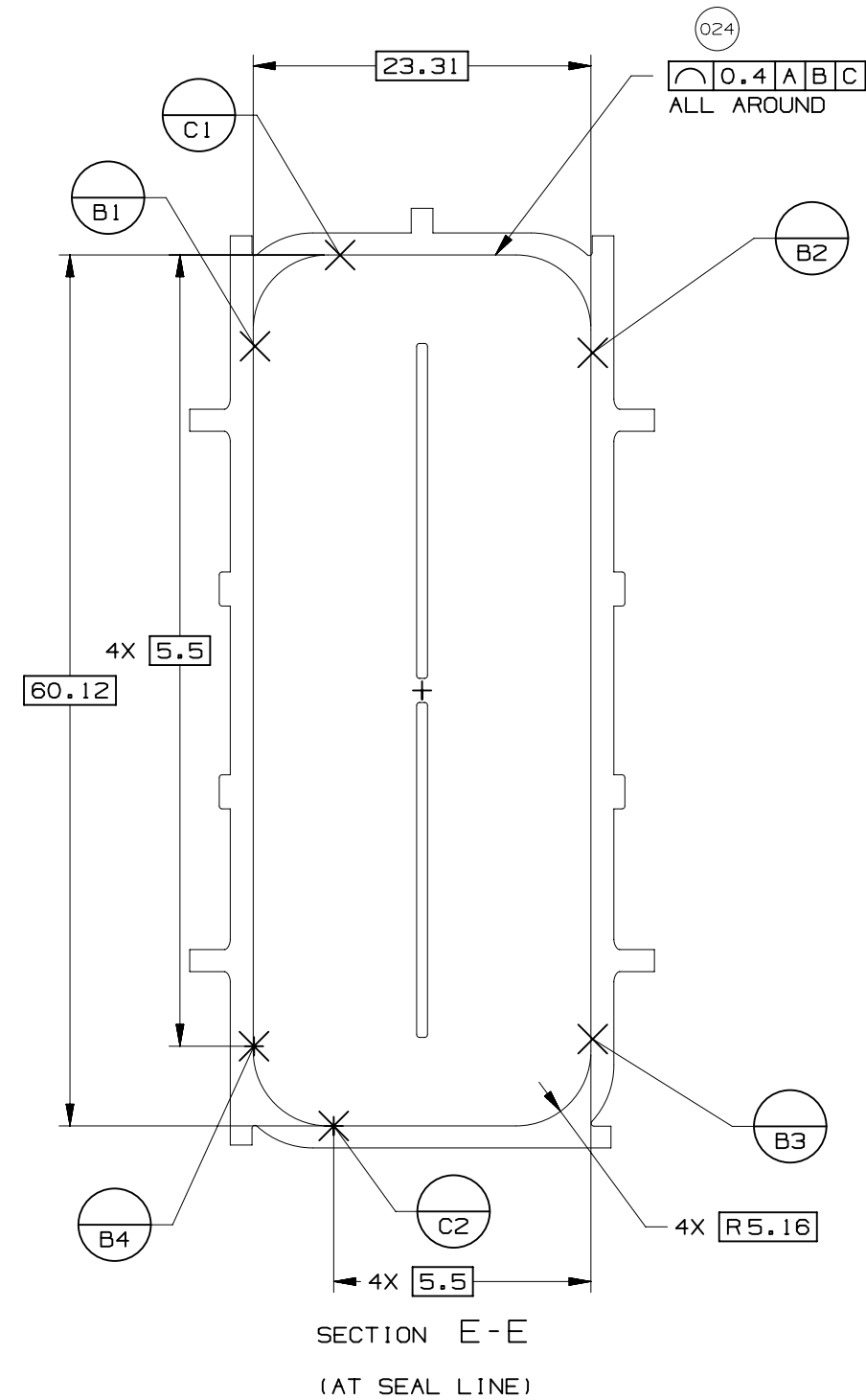
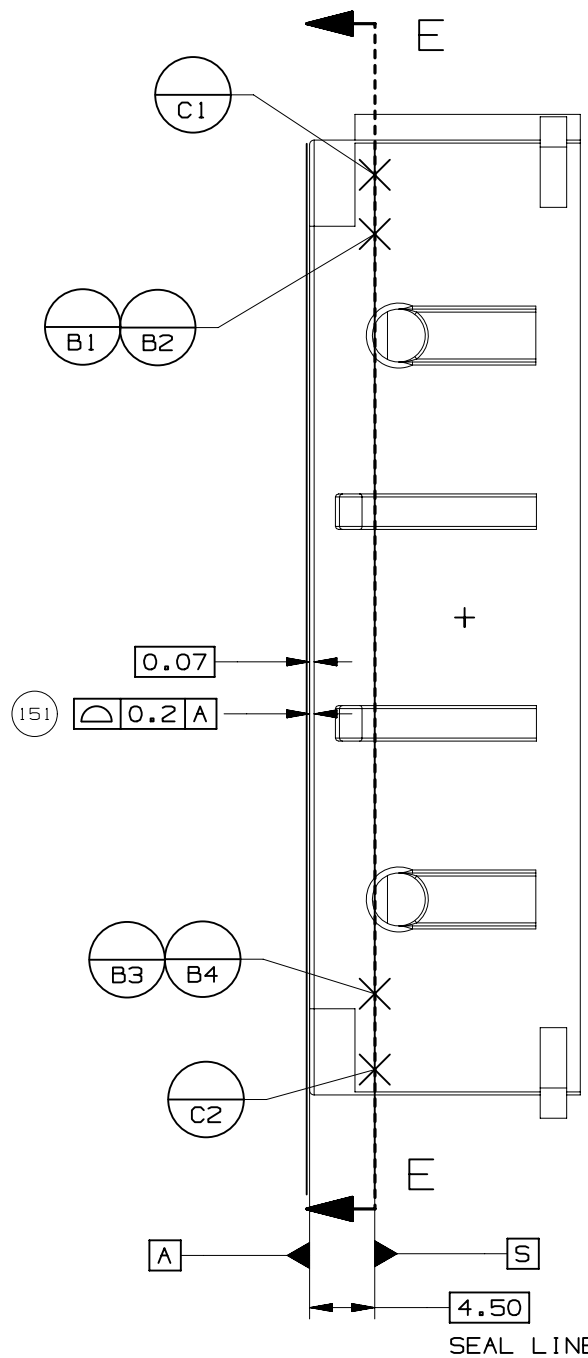
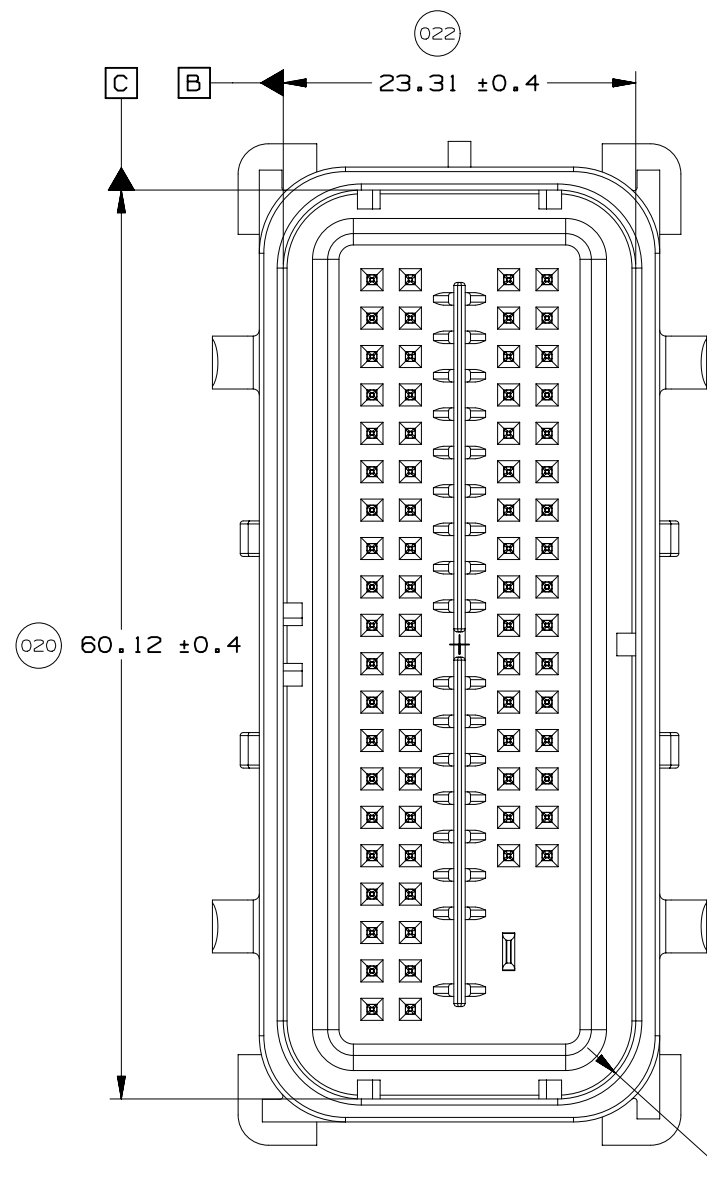
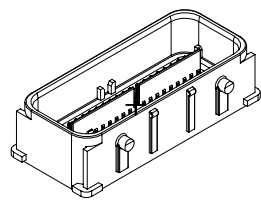
73 CKT COMPONENT CONNECTOR INTERFACE



80 CKT COMPONENT CONNECTOR INTERFACE







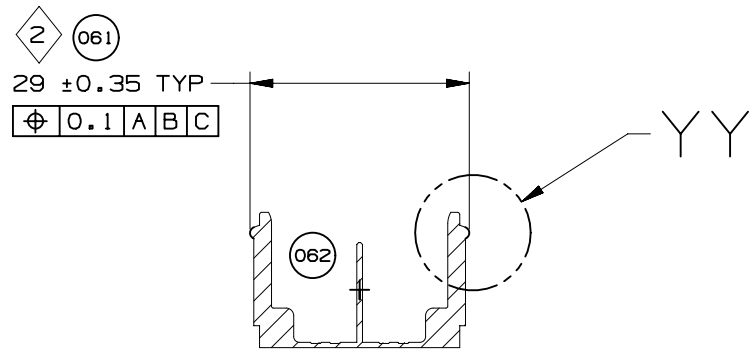
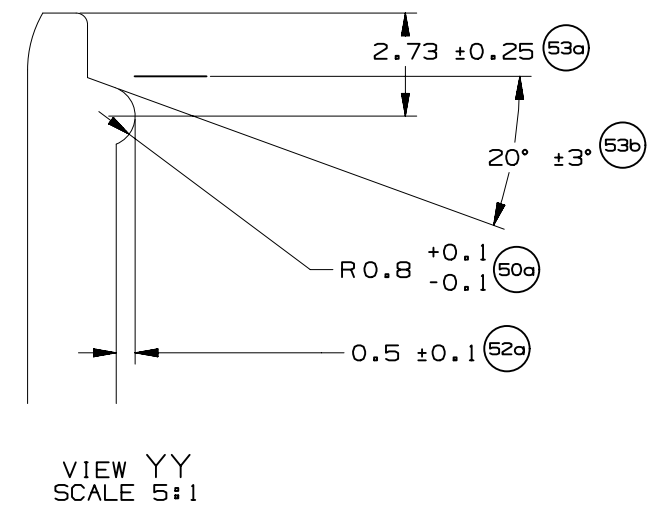
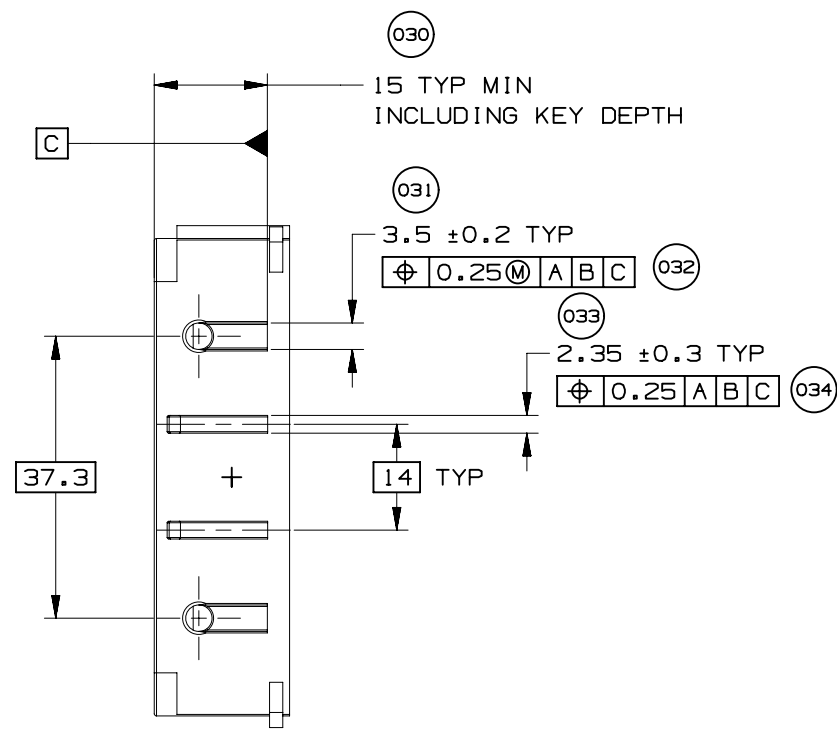
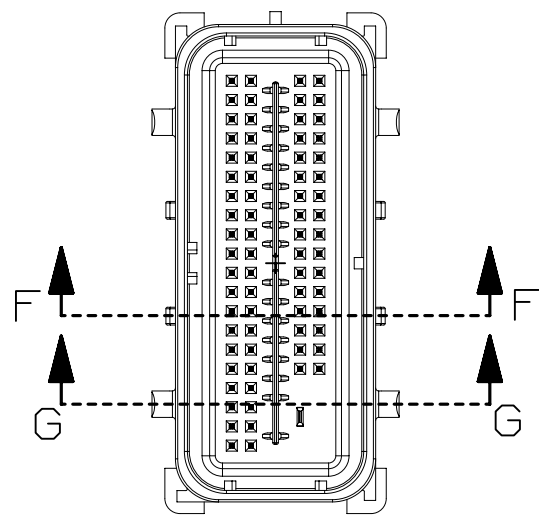
UNLESS SPECIFIED, TOLERANCE OF THE COMPONENT CONNECTOR INTERFACE TO BE $\sqrt[0.13]{A B C}$



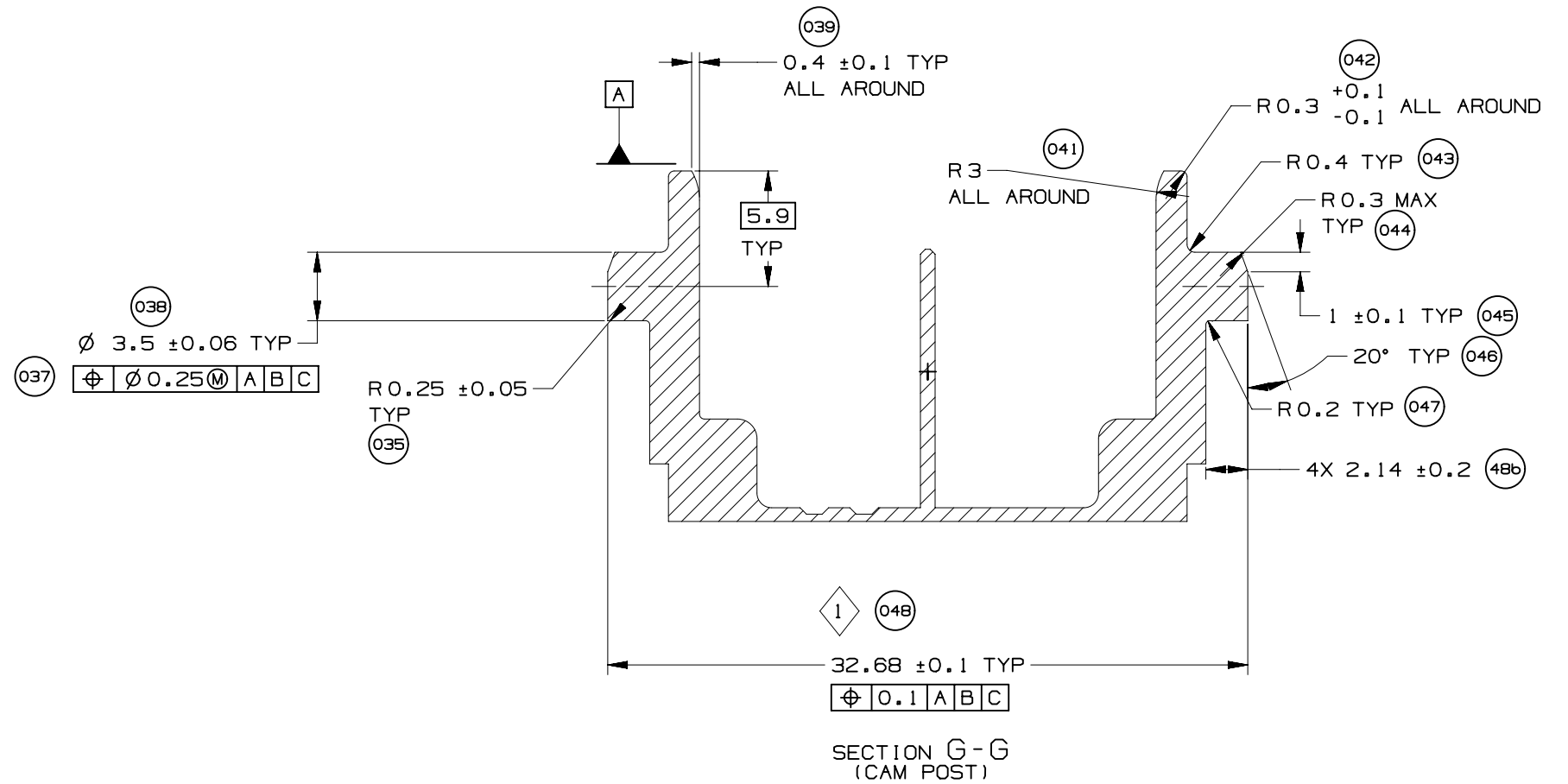
PAGE TITLE
COMPONENT CONNECTOR INTERFACE

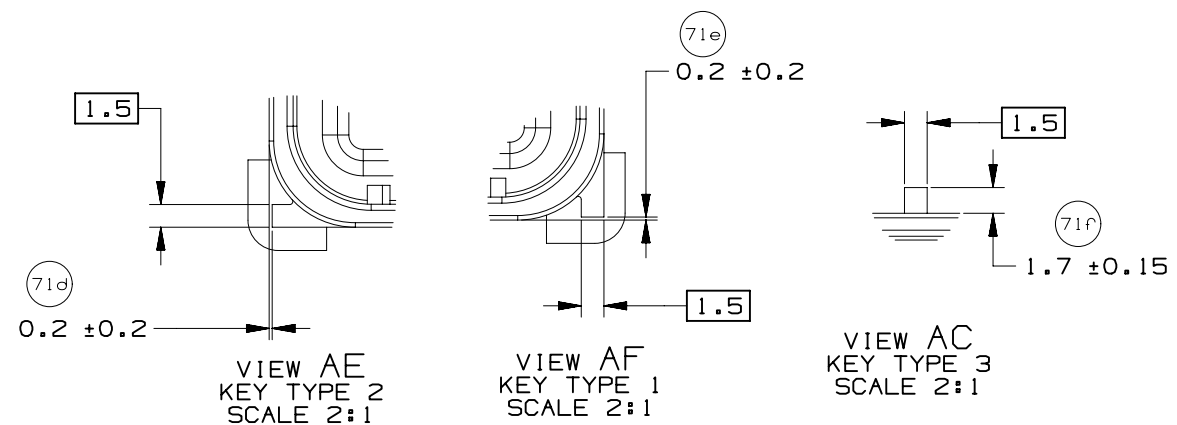
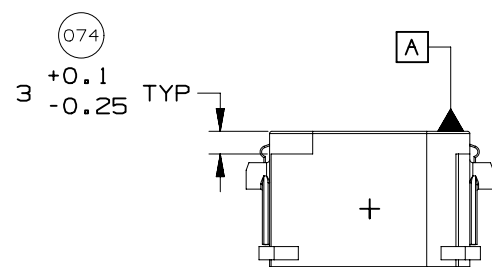
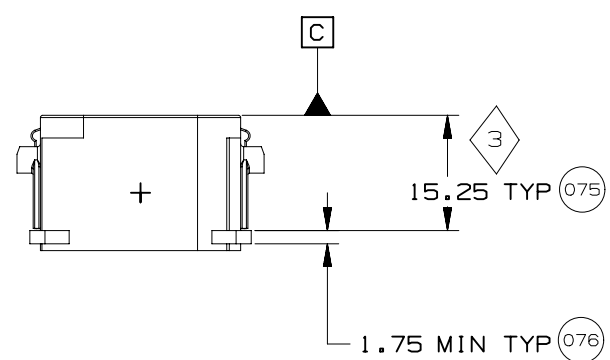
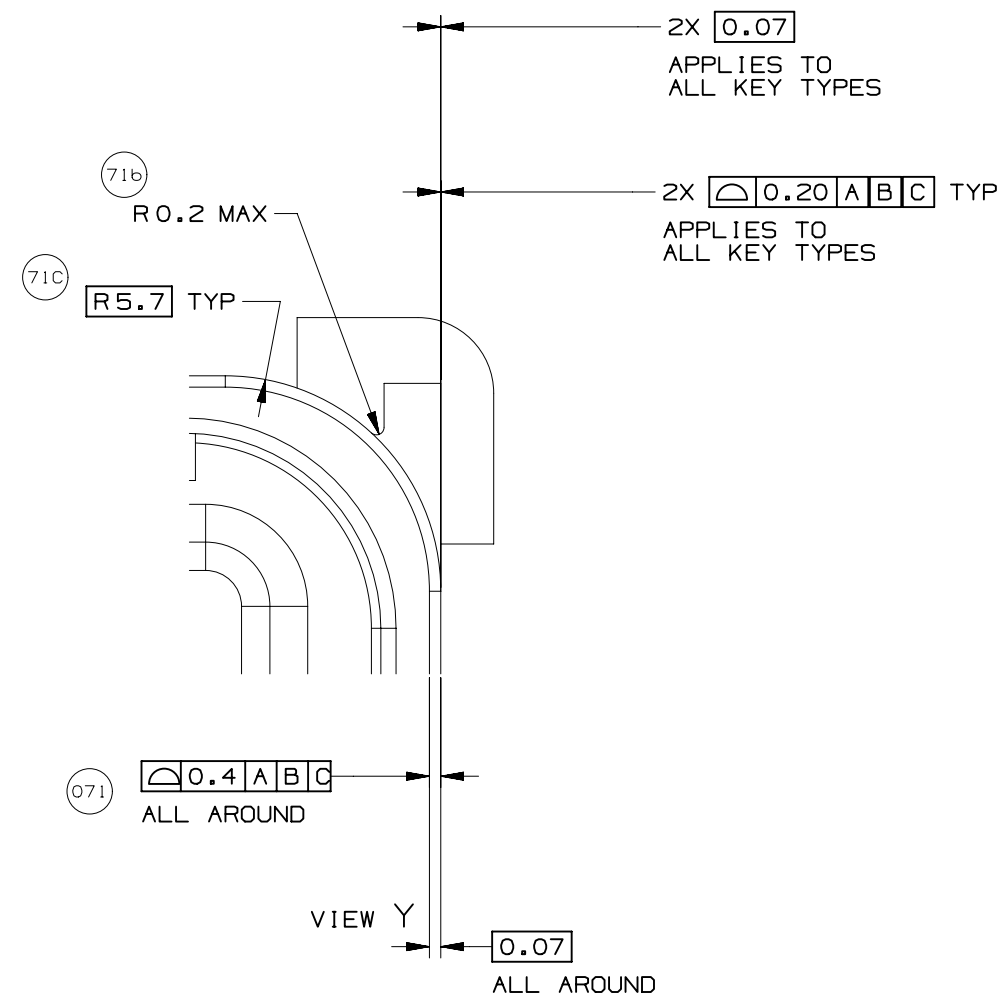
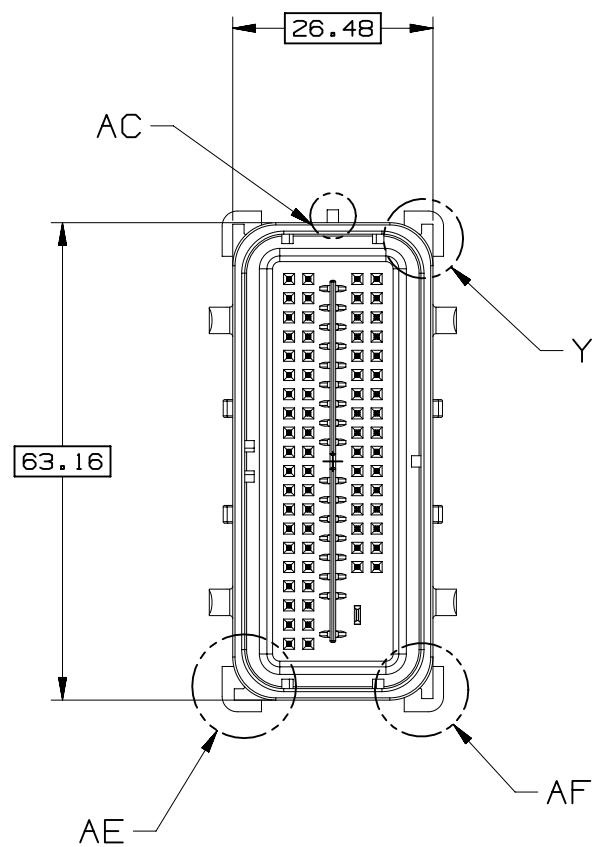
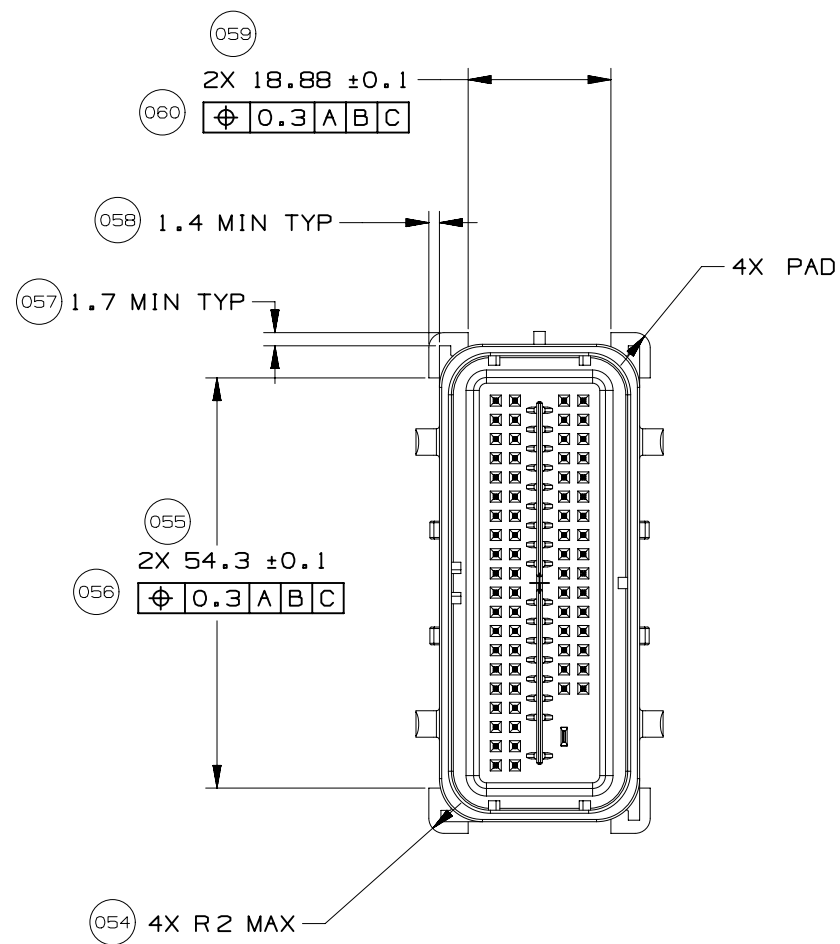
DRAWING NUMBER
12642695

DWG STATUS			PAGE NUMBER
ST	REV	PD1	
R	002		15 OF 21



SECTION F-F

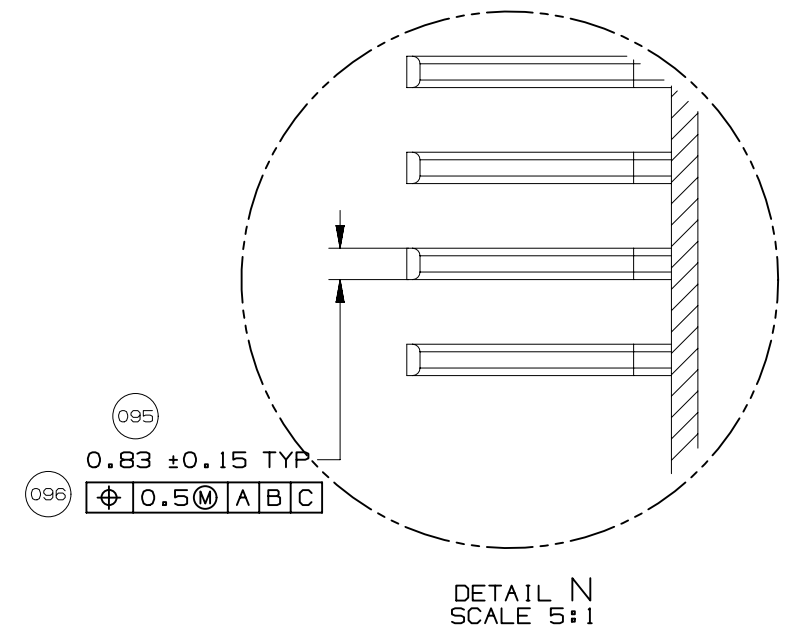
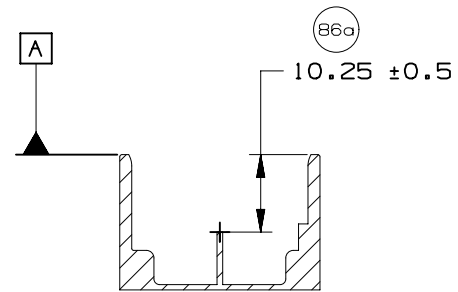
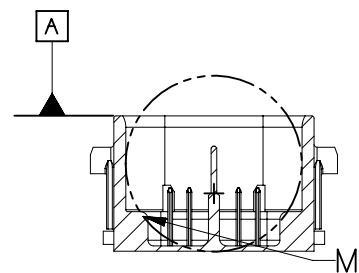
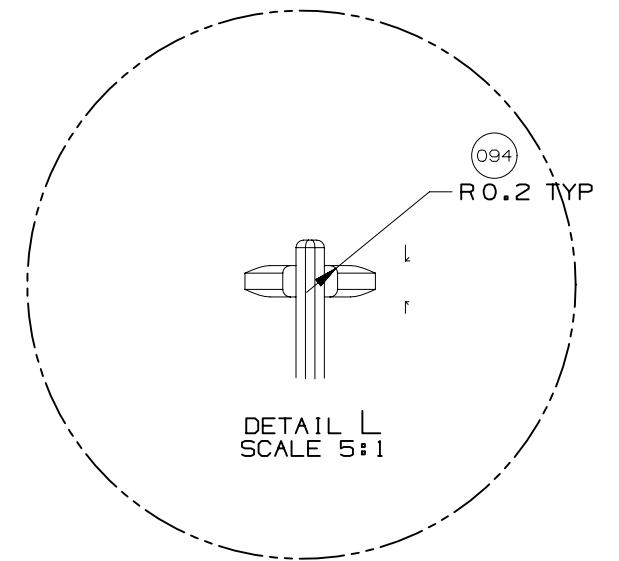
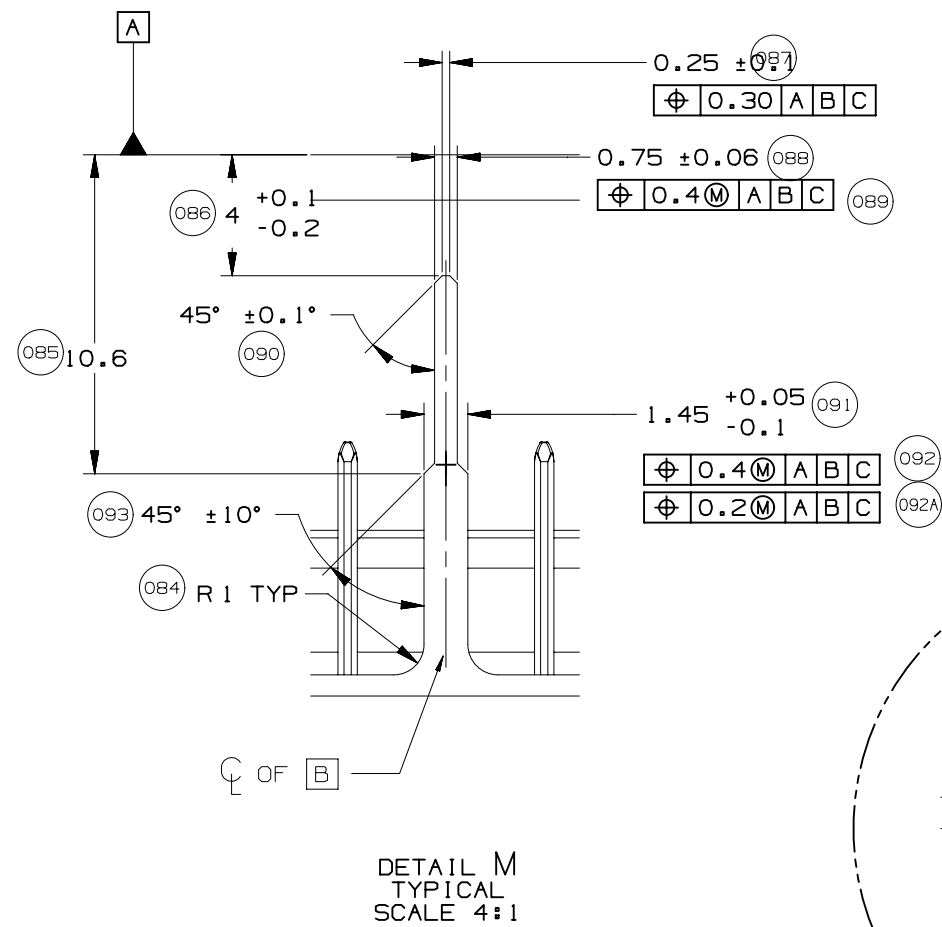
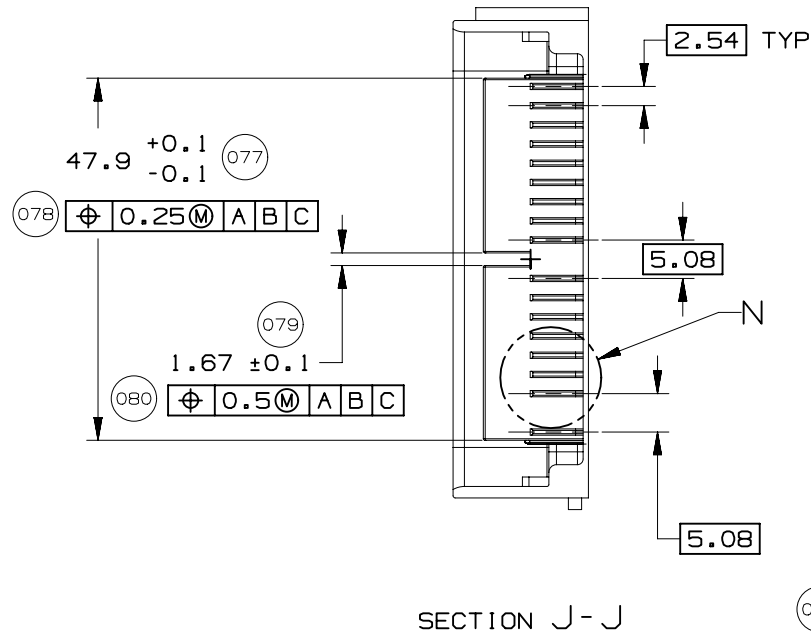
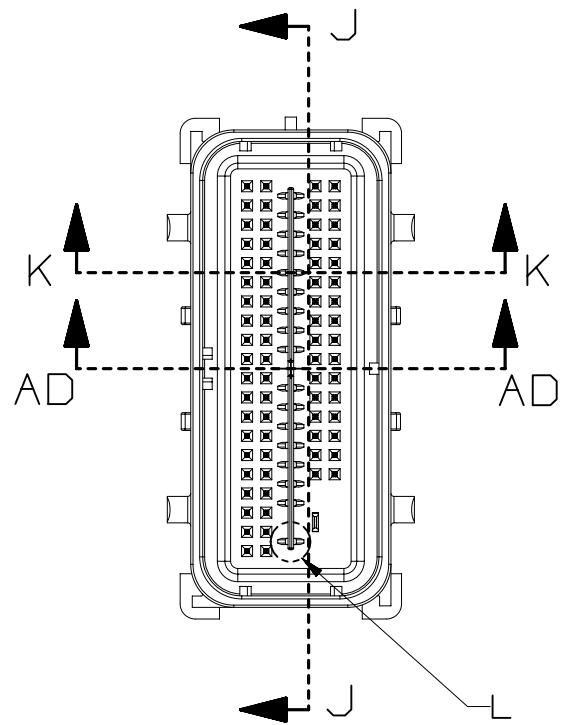


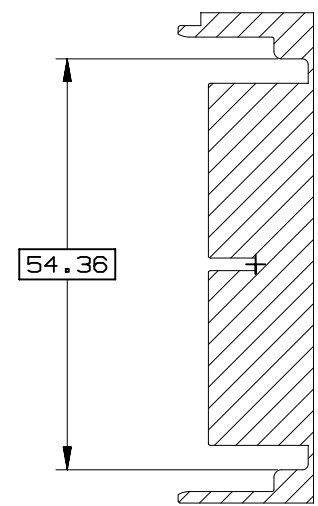
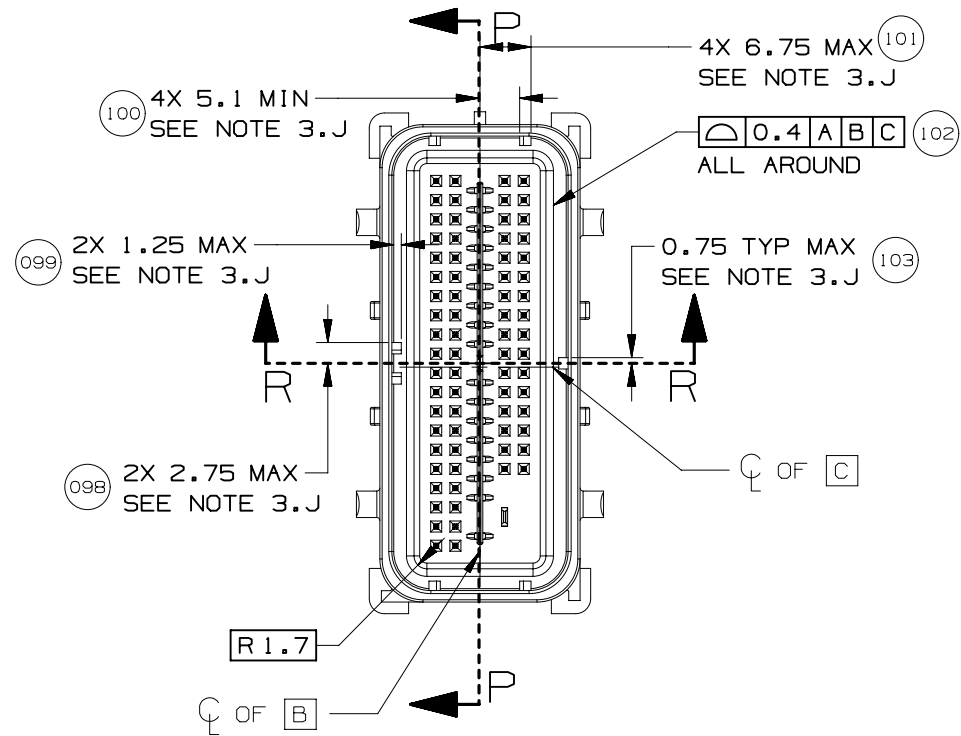


PAGE TITLE
 COMPONENT CONNECTOR INTERFACE

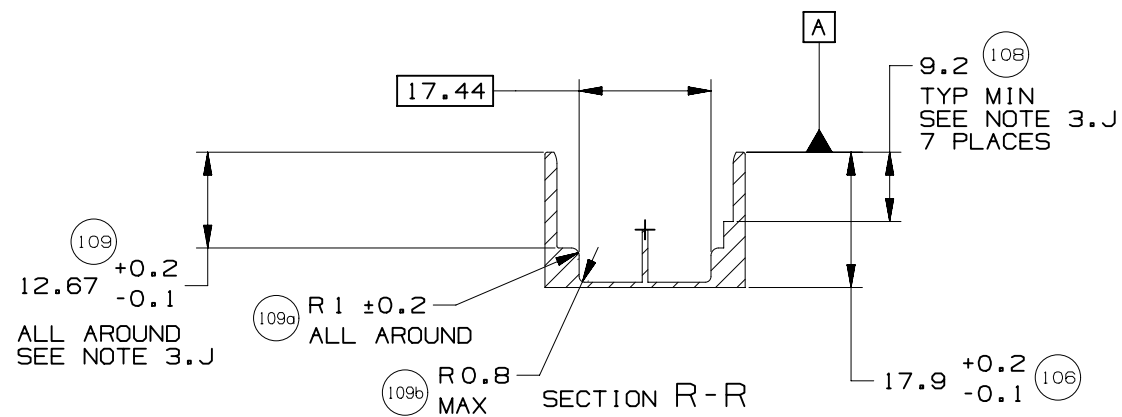
DRAWING NUMBER
 12642695

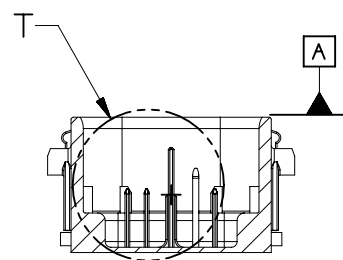
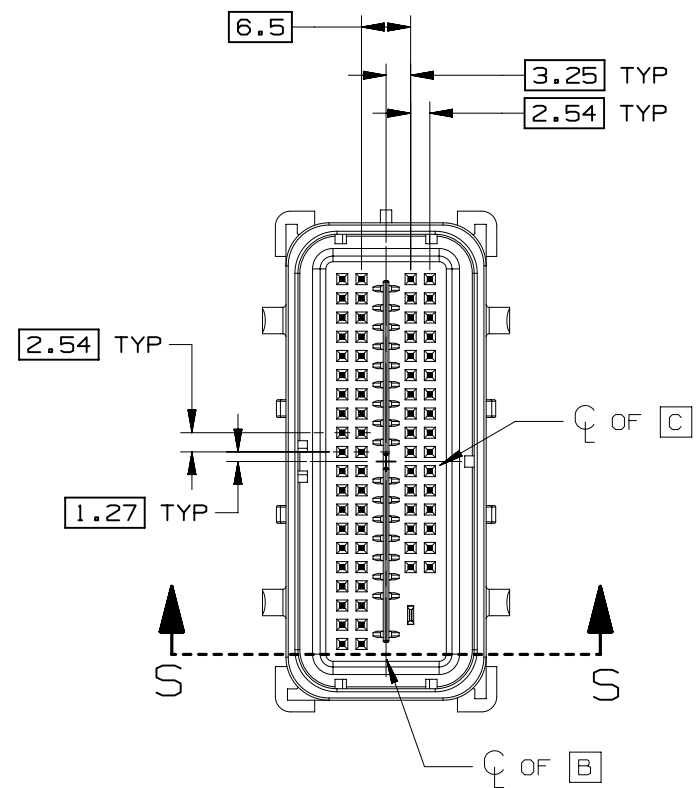
DWG STATUS			PAGE NUMBER	
ST	REV	PD1		
R	002		17	OF 21



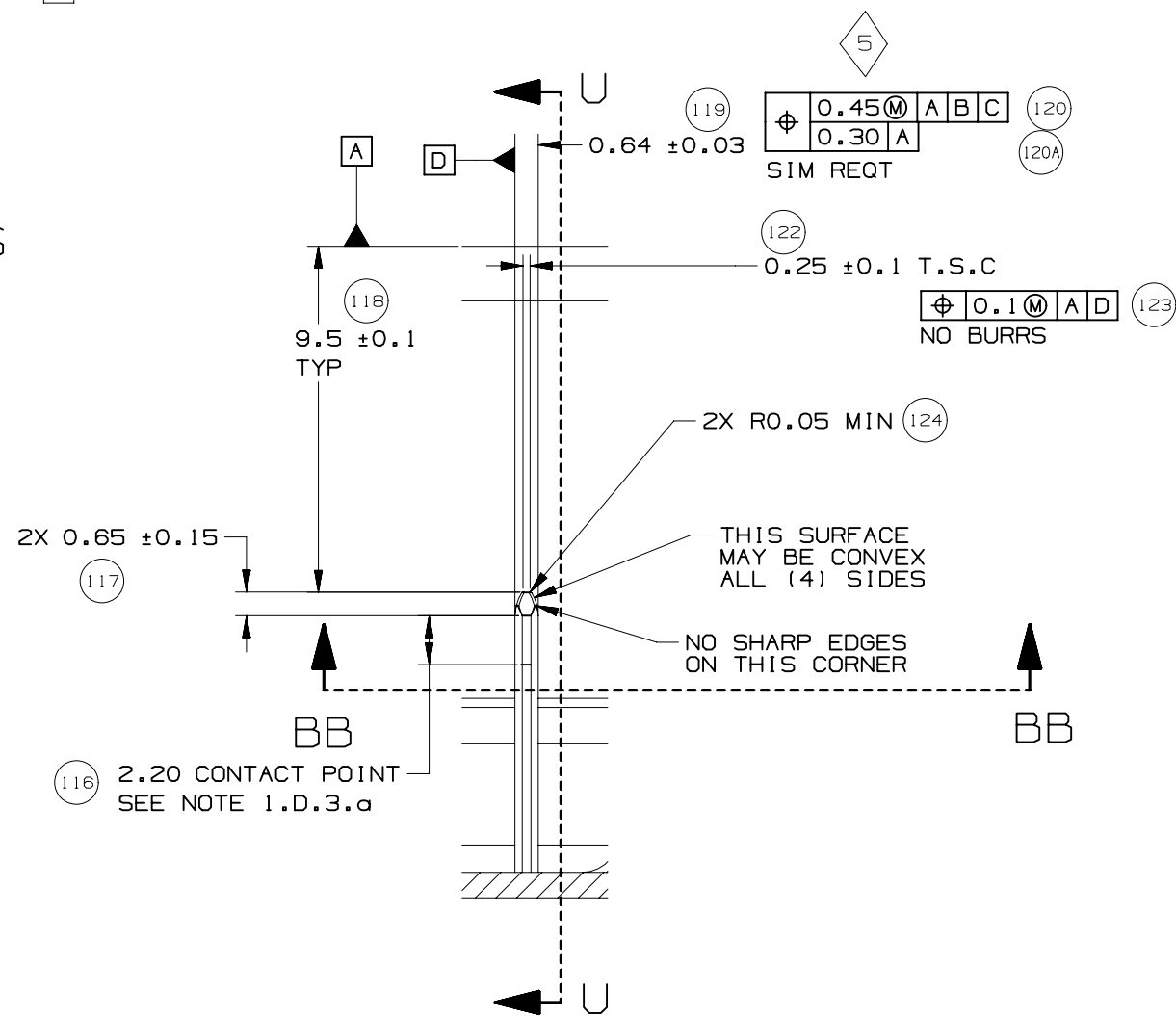


SECTION P-P

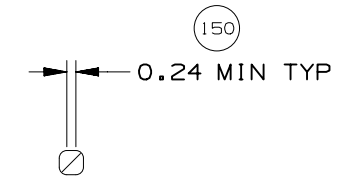




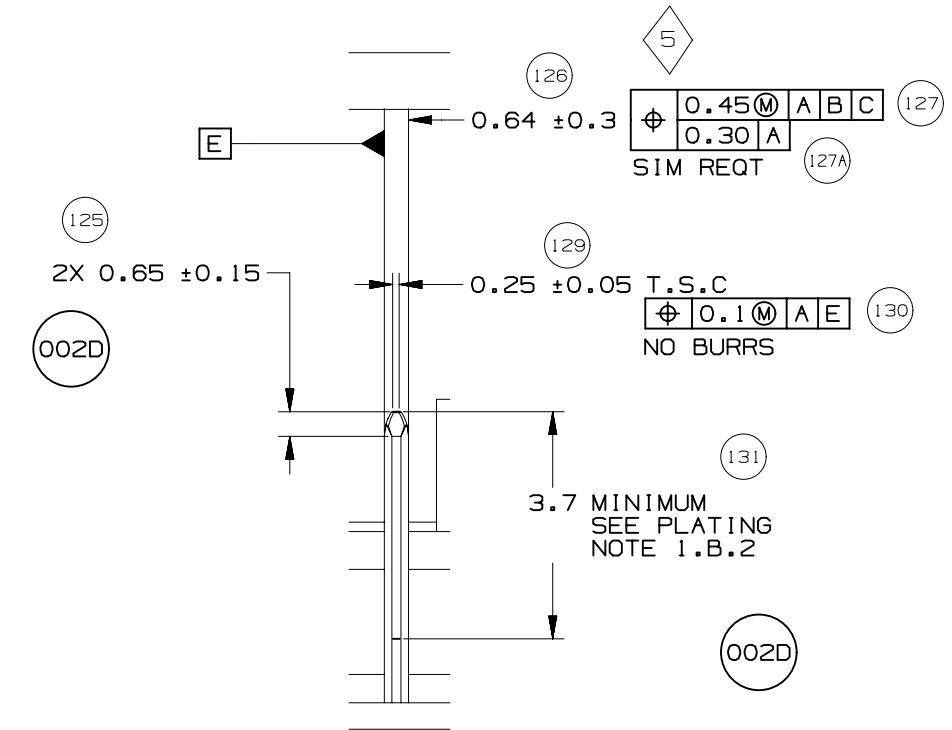
SECTION S-S



DETAIL T
TYPICAL
SCALE 5:1

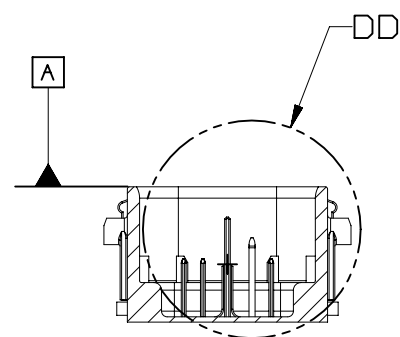
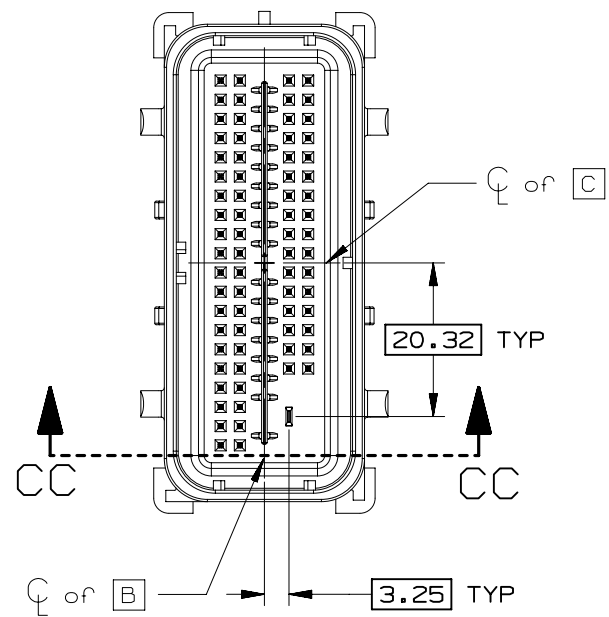


SECTION BB-BB

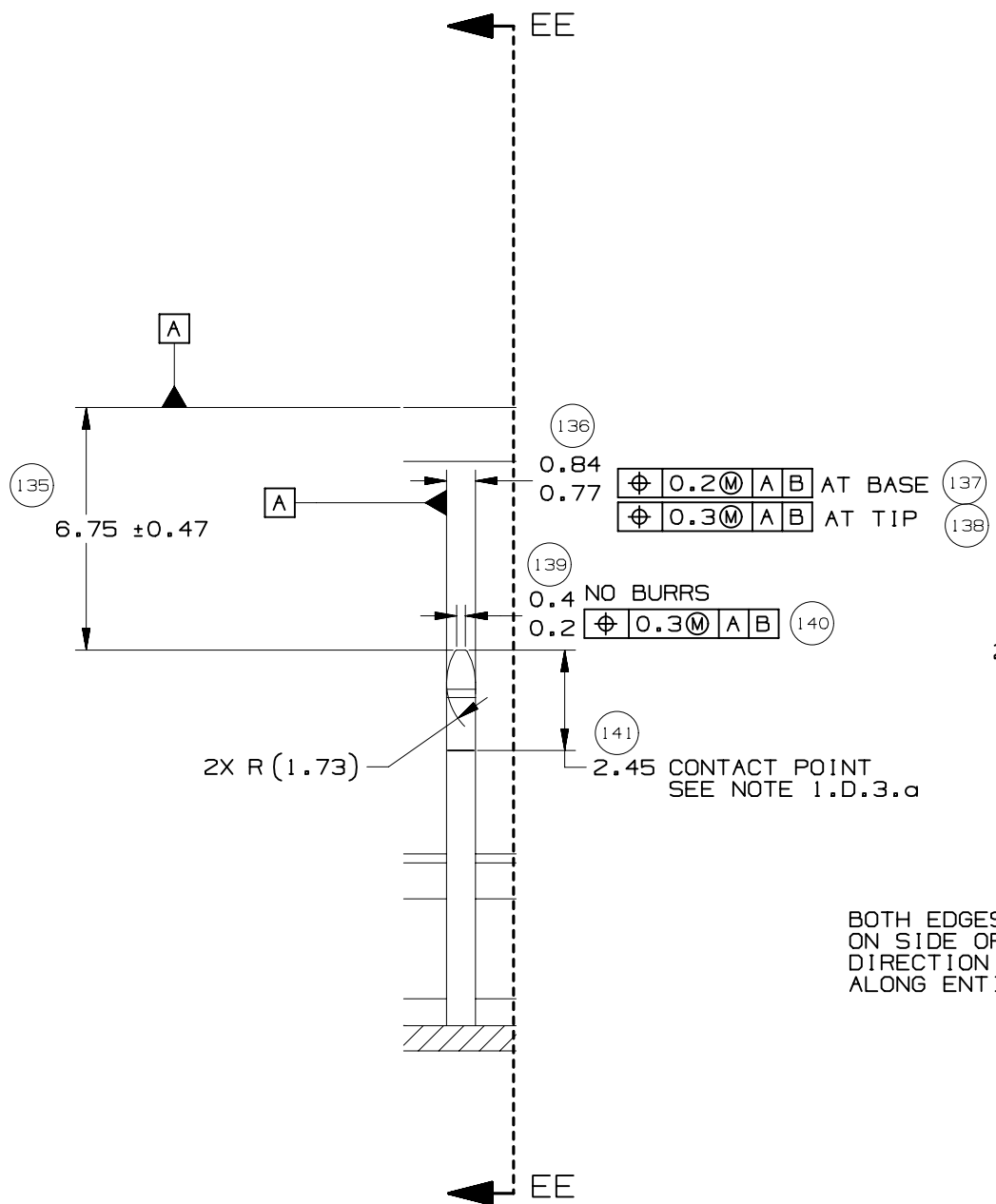


SECTION U-U

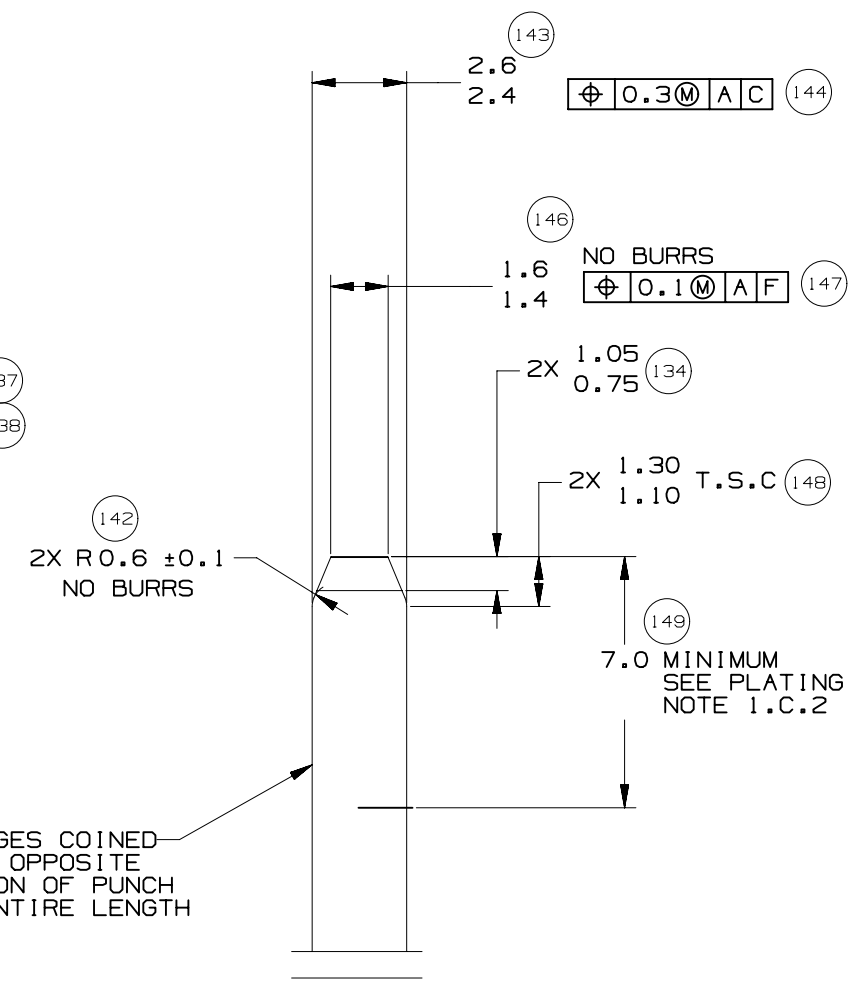




SECTION CC-CC



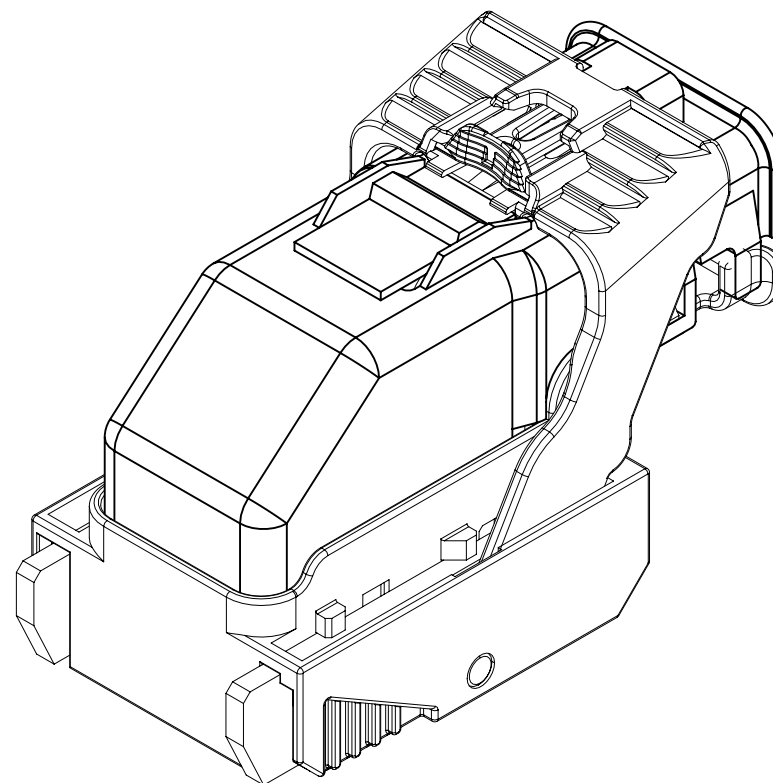
DETAIL DD
TYPICAL
SCALE 5:1




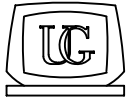
SECTION EE-EE
TYPICAL

BOTH EDGES COINED
ON SIDE OPPOSITE
DIRECTION OF PUNCH
ALONG ENTIRE LENGTH

INDEX	
PAGE TITLE	PAGE
TITLE BLOCK	1
REVISION BLOCK	2
PART BLOCK	3
KPC BLOCK	4
COMPONENT TABLE	5
NOTES	6
NOTES	7
WIRE DRESS PACKAGING DIMENSIONS	8
LOCATION AND PACKAGING DIMENSIONS REFERENCING INTERFACE DATUMS B & C	9
LOCATION AND PACKAGING DIMENSIONS REFERENCING INTERFACE DATUM A	10
KEY ID REF - WIRE DRESS OPTION 0	11
KEY ID REF - WIRE DRESS OPTION 9	12
CIRCUIT CONFIGURATIONS	13
CIRCUIT CONFIGURATIONS	14
COMPONENT CONNECTOR INTERFACE	15
COMPONENT CONNECTOR INTERFACE	16
COMPONENT CONNECTOR INTERFACE	17
COMPONENT CONNECTOR INTERFACE	18
COMPONENT CONNECTOR INTERFACE	19
COMPONENT CONNECTOR INTERFACE	20
COMPONENT CONNECTOR INTERFACE	21
COMPONENT CONNECTOR INTERFACE	22
ADDITIONAL COMPONENTS REQUIRED	23




ISO VIEW

	THIS DOCUMENT IS IN ACCORDANCE WITH ASME Y14.5M-1994 AS AMENDED BY THE GM GLOBAL DIMENSIONING AND TOLERANCING ADDENDUM - 2004.			DATE
	 CHANGE RESTRICTED NO MANUAL CHANGES	REFERENCE 12H (MOLEX AUTOMOTIVE)	DRAFTER D. KOEHLER 04JN15	
DO NOT SCALE	DRAWING NAME HARNESS CONN ASM-SEALED 18/49/56 CKTS, MX123		APVD1	
METRIC		APVD2		
DIMENSIONS SHOWN IN MILLIMETERS UNLESS OTHERWISE SPECIFIED		APVD3		
		APVD4		
		APVD5		
	DRAWING NUMBER	DWG STATUS		PAGE NUMBER
	12672832	ST	REV	PDI
		R	001	1 of 23

PAGE	DWG STATUS					REVISION HISTORY	AUTH	DR	CK	ENG
	DATE	ST	REV	CHG	PDI					

PAGE	DWG STATUS					REVISION HISTORY	AUTH	DR	CK	ENG
	DATE	ST	REV	CHG	PDI					
	03JN15	R	001			RELEASED TO PRODUCTION AT DLS A	CRMRJE	DFK		

	PAGE TITLE	DRAWING NUMBER	DWG STATUS			PAGE NUMBER		
	REVISION BLOCK			12672832	ST		REV	PDI
				R	001			2 of 23

KEY PRODUCT CHARACTERISTICS
(IN ACCORDANCE WITH QN 1805 OR ON 1050)



SAFETY/COMPLIANCE

TOTAL ON
DRAWING

4



FIT/FUNCTION

LAST NO.
USED

4

NO	TYPE	DESCRIPTION	RATIONALE	PAGE/ZONE
1	F/F	32.68	IMPROVE CONNECTOR SYSTEM MATING	16
2	F/F	29.00	INSURE PROPER RELEASE OF LEVER	16
3	F/F	15.25	INSURE FINAL MATE POSITION	17
4	F/F	POSITIONAL TOLERANCE (2 PLACES)	INSURE CONNECTOR SYSTEM MATIBILITY	20



PAGE TITLE
KPC BLOCK

DRAWING NUMBER

12672832

DWG STATUS

ST	REV	PD1
----	-----	-----

R	001	
---	-----	--

PAGE NUMBER

4 OF 23

Γ J 0	MFG.	MFG. P/N	GM P/N	Effective Date	APPLICABLE COMPONENTS					
					DESCRIPTION	Key Option	Wire Dress Option	Key Config.	Color	Status
1	MOLEX	34575-0003	12582679	02JN03	WIRE HARNESS COVER	N/A	NA	N/A	BLACK	AVAILABLE
2	MOLEX	34851-0007	12672834	31AU15	HARN CONN ASM 18 CKT	G	0	1358	BLUE	ACTIVE
3	MOLEX	34851-0008	12672836	31AU15	HARN CONN ASM 18 CKT	H	0	2458	ST GRAY	ACTIVE
4	MOLEX	34851-0019	12672835	31AU15	HARN CONN ASM 18 CKT	G	9	1358	BLUE	ACTIVE
5	MOLEX	34851-0020	12672837	31AU15	HARN CONN ASM 18 CKT	H	9	2458	ST GRAY	ACTIVE
6	MOLEX	34576-0103	12672838	31JL15	HARN CONN ASM 49 CKT	A	0	1458	BLACK	ACTIVE
7	MOLEX	34576-0203	12672840	T.B.D.	HARN CONN ASM 49 CKT	B	0	1468	ST GRAY	NOT ACTIVE
8	MOLEX	34576-0303	12672842	31JL15	HARN CONN ASM 49 CKT	C	0	2467	BLUE	ACTIVE
9	MOLEX	34576-1303	12672839	31JL15	HARN CONN ASM 49 CKT	A	9	1458	BLACK	ACTIVE
10	MOLEX	34576-1403	12672841	T.B.D.	HARN CONN ASM 49 CKT	B	9	1468	ST GRAY	NOT ACTIVE
11	MOLEX	34576-1503	12672843	31JL15	HARN CONN ASM 49 CKT	C	9	2467	BLUE	ACTIVE
12	MOLEX	34576-0703	12672848	11JN04	HARN CONN ASM 56 CKT	G	0	1358	BLUE	AVAILABLE
13	MOLEX	34576-0803	12672846	11JN04	HARN CONN ASM 56 CKT	H	0	2458	ST GRAY	AVAILABLE
14	MOLEX	34576-0903	12672844	T.B.D.	HARN CONN ASM 56 CKT	J	0	2457	BLACK	NOT ACTIVE
15	MOLEX	34576-1903	12672849	11JN04	HARN CONN ASM 56 CKT	G	9	1358	BLUE	AVAILABLE
16	MOLEX	34576-2003	12672847	T.B.D.	HARN CONN ASM 56 CKT	H	9	2458	ST GRAY	NOT ACTIVE
17	MOLEX	34576-2103	12672845	T.B.D.	HARN CONN ASM 56 CKT	J	9	2457	BLACK	NOT ACTIVE
18	MOLEX	34736-0028	12672851	01AU10	MX64 RCPT TERM Ag 0.5mm/0.75mm ISO GAGE B (RIGHT PAYOFF)	N/A	N/A	N/A	N/A	AVAILABLE
19	MOLEX	34736-0026	12672850	01AU10	MX64 RCPT TERM Ag 0.35mm ISO B (RIGHT PAYOFF)	N/A	N/A	N/A	N/A	AVAILABLE
20	MOLEX	34586-0001	12674820	11JN04	MX123 0.64MM GROMMET PLUG	N/A	N/A	N/A	NATURAL	AVAILABLE
21	YAZAKI	7116-4150-02	12588066	02JN03	2.8mm YESC SEALED FEMALE TERMINAL TIN 0.35mm2-0.50mm2	N/A	N/A	N/A	N/A	NOT ACTIVE
22	YAZAKI	7116-4151-02	12588067	02JN03	2.8mm YESC SEALED FEMALE TERMINAL TIN 0.75mm2-1.0mm2	N/A	N/A	N/A	N/A	NOT ACTIVE
23	YAZAKI	7116-4152-02	12582685	02JN03	2.8mm YESC SEALED FEMALE TERMINAL TIN 1.5mm2-2.5mm2	N/A	N/A	N/A	N/A	AVAILABLE
24	YAZAKI	7158-3111-60	12588068	02JN03	2.8mm CABLE SEAL (wire O.D. range 1.2mm-1.9mm)	N/A	N/A	N/A	GREEN	NOT ACTIVE
25	YAZAKI	7158-3112-70	12588069	02JN03	2.8mm CABLE SEAL (wire O.D. range 1.8mm-2.3mm)	N/A	N/A	N/A	YELLOW	NOT ACTIVE
26	YAZAKI	7158-3113-40	12582686	02JN03	2.8mm CABLE SEAL (wire O.D. range 2.1mm-3.0mm)	N/A	N/A	N/A	WHITE	AVAILABLE
27	YAZAKI	7158-3114-90	12674821	02JN03	2.8mm YESC CAVITY PLUG	N/A	N/A	N/A	BLUE	AVAILABLE
28	DELPHI	33140138	12646399	10JA14	6.35mm APEX RCPT TERM Sn/Ag GRIP CODE-10 (6mm2) - GREASED	N/A	N/A	N/A	N/A	AVAILABLE
29	DELPHI	33140135	12654556	10JA14	6.35mm APEX RCPT TERM Sn/Ag GRIP CODE-TBD (1mm2) - GREASED	N/A	N/A	N/A	N/A	AVAILABLE
30	QSR	A-0549C	12646688	01SE14	6.35mm CABLE SEAL (FOR 6.0mm2 WIRE SIZE - 3.6 TO 4.2mm INSULATION OD)	N/A	N/A	N/A	WHITE	AVAILABLE
31	QSR	A-0549B	12654557	01SE14	6.35mm CABLE SEAL (FOR 0.75-1.25mm2 WIRE SIZE - 1.8 TO 2.3mm INSULATION OD)	N/A	N/A	N/A	BLUE	AVAILABLE
32	MOLEX	63825-8400	N/A	02JN03	MX64 TERM HAND CRIMP TOOL	N/A	N/A	N/A	N/A	AVAILABLE
33	MOLEX	63813-1400	XX019826	02JN03	MX64 TERM SERVICE TOOL	N/A	N/A	N/A	N/A	AVAILABLE
34	MOLEX	63902-5300	N/A	02JN03	MX64 CRIMP APPLICATOR with TOOL KIT 0.5/0.75mm2 PAYOFF DIRECTION D (left payoff) (contact Molex for payoff detail)	N/A	N/A	N/A	N/A	AVAILABLE
35	MOLEX	63902-5370	N/A	02JN03	MX64 APPLICATOR TOOL KIT 0.5/0.75mm2	N/A	N/A	N/A	N/A	AVAILABLE
36	MOLEX	63902-5100	N/A	02JN03	MX64 CRIMP APPLICATOR with TOOL KIT 0.35mm2 PAYOFF DIRECTION D (left payoff) (contact Molex for payoff detail)	N/A	N/A	N/A	N/A	AVAILABLE
37	MOLEX	63902-5170	N/A	02JN03	MX64 APPLICATOR TOOL KIT 0.35mm2	N/A	N/A	N/A	N/A	AVAILABLE
38	SPX	J35616-64	T.B.D.	02JN03	0.64mm PROBE TOOL (for rcpt)	N/A	N/A	N/A	N/A	AVAILABLE
39	SPX	J35616-64A	T.B.D.	02JN03	0.64mm PROBE TOOL WITH EXT (for rcpt)	N/A	N/A	N/A	N/A	AVAILABLE
40	SPX	J35616-65	T.B.D.	02JN03	0.64mm PROBE TOOL WITH EXT (for pin)	N/A	N/A	N/A	N/A	AVAILABLE
41	SPX	J35616-4A	T.B.D.	02JN03	2.8mm PROBE TOOL (for rcpt)	N/A	N/A	N/A	N/A	AVAILABLE
42	YAZAKI	X39899-J374	12094430	02JN03	2.8mm TERM SERVICE TOOL	N/A	N/A	N/A	N/A	AVAILABLE
43	TQI	7000-1001	N/A	01FE15	18CKT PASS THROUGH ADAPTERS	N/A	N/A	N/A	BLACK	AVAILABLE
44	TQI	7000-1004	N/A	01FE15	49CKT PASS THROUGH ADAPTERS	N/A	N/A	N/A	BLACK	AVAILABLE
45	TQI	79917-0060	N/A	02JA08	56CKT PASS THROUGH ADAPTERS	N/A	N/A	N/A	BLACK	AVAILABLE
46	MOLEX	63813-1500	J-38125-217	01SE14	6.35mm APEX TERM SERVICE TOOL	N/A	N/A	N/A	N/A	AVAILABLE

* MX123 WIRE HARNESS COVER
MATES TO ANY 18/49/56 CKT
MX123 HARN CONN ASSY
SHOWN ON THIS TABLE



PAGE TITLE
COMPONENT TABLE

DRAWING NUMBER

12672832

DWG STATUS

ST REV PDI

R 001

PAGE NUMBER

5 of 23

NOTES: UNLESS OTHERWISE SPECIFIED

1. MATERIAL FOR INTERFACE:

- A. RESIN:
 - 1. 30% G.F. PBT; 20% MAX. (BY WEIGHT) REGRIND.
 - 2. MATING CONNECTOR INTERFACE PART COLOR MUST BE SAME AS MATCHING KEYED HARNESS CONNECTOR ASSEMBLY.
 - 3. MUST BE VALIDATED FOR INDIVIDUAL DEVICE APPLICATION REQUIREMENTS.
- B. 0.64MM PINS:
 - 1. BASE MATERIAL: COPPER ALLOY; CONDUCTIVITY >= 28% IACS AT 20°C; TENSILE STRENGTH >= 635 N/mm²; SURFACE ROUGHNESS R_a 6 MAX.
 - 2. PLATING FINISH: SILVER (Ag). PLATING TO BE 1.9-3.3 μm ELECTRODEPOSITED SEMI-BRIGHT SILVER OVER 1.25-2.25 μm DUCTILE SULPHAMATE NICKEL PER NOTE 1(D).
 - 3. ANTI-TARNISH: SYNTHETIC HYDROCARBON CONTACT SURFACE FINISH OR EQUIVALENT APPLIED WITHOUT VOID TO CONTACT AREA (MIN 3.7mm FROM PIN TIP).
- C. 2.8MM BLADE:
 - 1. BASE MATERIAL: COPPER ALLOY; CONDUCTIVITY >= 28% IACS AT 20°C; TENSILE STRENGTH >= 350 N/mm²; SURFACE ROUGHNESS R_a 6 MAX.
 - 2. PLATING FINISH: TIN. PLATING TO BE 2.5-5.0 μm ELECTRODEPOSITED TIN, MATTE FINISH OVER 1.25-2.5μm DUCTILE SULPHAMATE NICKEL PER NOTE 1(D).
- D. 6.3MM BLADE:
 - 1. BASE MATERIAL: COPPER ALLOY; CONDUCTIVITY >= 50% IACS AT 20°C;
 - 2. PLATING FINISH: SILVER (Ag) PLATING TO BE 1.9-3.3 μm ELECTRODEPOSITED SEMI-BRIGHT SILVER, OVER 1.25-2.5μm DUCTILE SULPHAMATE NICKEL PER NOTE 1(D) WITH ENVIRONMENTAL BARRIER OR TIN/SILVER (ELECTRO-DEPOSITED), UNDERPLATE 0.5-2.0 μm NICKEL OR COPPER. TOP PLATING: 1.0-3.0 μm (SILVER RANGE 3.75-X.XX NO ANTI-TARNISH COATING REQUIRED).
- E. PLATING REQUIREMENTS:
 - 1. SILVER PLATING
 - a. 99.5% PURE SEMI-BRIGHT WITH NO ORGANIC BRIGHTNERS OR CHROMATES.
 - 2. NICKEL PLATING
 - a. ELECTRODEPOSITED DUCTILE SULFAMATE NICKEL WITH A NON-BRIGHTENED FINISH. NO ORGANIC OR BRIGHTENING AGENTS SHALL BE ALLOWED.
 - b. SHALL ONLY BE USED AS AN UNDERLYING PLATING AND MAY NOT BE USED AS AN ELECTRICAL CONTACT SURFACE PLATING.
 - c. SHALL BE NODULE FREE WHEN VIEWED AT 10X MAGNIFICATION IN MEASURED IN CONTACT SURFACE AREA PLUS 0.5MM PERIMETER AROUND THE CONTACT SURFACE AREA.
 - d. ALL PLATINGS SHALL HAVE A 1.0% MAXIMUM BY WEIGHT IMPURITIES. IMPURITIES ARE DEFINED AS ALL ELEMENTS NOT THE PRIMARY PLATING OR HARDENING AGENT IF APPLICABLE, AS DETERMINED BY WET CHEMICAL ANALYSIS OR AUGER METHOD. NO SINGLE IMPURITY SHALL EXCEED 0.1% MAXIMUM BY WEIGHT.
 - 3. TESTING
 - a. THICKNESS TO BE MEASURED IN CONTACT SURFACE AREA PLUS 0.5MM PERIMETER AROUND THE CONTACT SURFACE AREA AS DESIGNATED IN THE DRAWING. THICKNESS SHALL BE DETERMINED BY METHOD OF X-RAY (XRF).
 - b. PLATING ADHESION SHALL BE TESTED BY A BEND TEST FOR ALL METALS. THE TEST SAMPLE SHALL BE BENT 90 DEGREES TO DETERMINE DEPOSIT ADHESION. TESTING SHALL BE COMPLETED IN ACCORDANCE WITH ASTM SPEC B571.

2. DESIGN - GENERAL:

- A. THIS IS A 100% CAD GENERATED PART. THE CAD MATHEMATICAL DATA IS THE MASTER FOR THIS PART. WHERE DIMENSIONS ARE SPECIFIED ON THE DRAWING, THE DRAWING IS THE AUTHORITY FOR DIMENSIONAL VALUES. FOR DIMENSIONAL OR ANY INFORMATION NOT SHOWN ON THIS DRAWING, ANALYZE THE CAD MODEL.
- B. DIMENSIONS OBTAINED FROM THE DIGITAL MODEL ARE BASIC:
 - 1. FOR RELATIONSHIPS BETWEEN FEATURES WHEN ESTABLISHED BY GEOMETRIC TOLERANCES.
 - 2. FOR THE FORM OF A FEATURE WHEN CONTROLLED BY A PROFILE TOLERANCE.
 - 3. FOR THE SIZE, FORM AND/OR RELATIONSHIP BETWEEN FIXED DATUM TARGETS.
- C. DIMENSIONS OBTAINED FROM THE DIGITAL MODEL ARE ROUNDED TO TWO DECIMAL PLACES (PER IEEE/ASTM SI 10-2002)
- D. VIEWS AND SECTIONS ON THIS DRAWING ARE IN ACCORDANCE WITH GM DCS SECTION C3.
- E. THE DIGITAL MODEL MUST CORRESPOND TO THE RELEASE LEVEL SHOWN IN THE PART BLOCK ON THIS DOCUMENT.
- F. TOLERANCES:
 - 1. LINEAR

0.X	±	0.30
0.XX	±	0.10
0.XXX	±	0.10
 - 2. ANGULAR

X°	±	3°
----	---	----
 - 3. 1.0|A|B|C
- G. MINIMUM WALL THICKNESS REQUIRED: 1.3mm.
- H. CORNERS SHOWN AS SHARP TO BE R 0.2 MAX.
- J. LETTERING SHALL BE 0.15 MAX RAISED IN 0.20 MAX RECESS PAD. THIS INCLUDES MATERIAL CODE, RECYCLING CODE, CAVITY ID AND DATE CODE.
- K-1. PARTS MUST BE FREE OF DISCOLORATION, SALT RESIDUE AND OTHER IMPERFECTIONS THAT AFFECT FIT OR FUNCTION.
- K-2. SCRATCHES OR DENTS NOT TO EXCEED 0.013mm IN DEPTH.
- L. FOLLOWING PRODUCTION CODES TO BE PERMANENTLY MARKED & HUMAN READABLE TO A LETTER HEIGHT OF 1.5 ±0.5MM X 0.3 MAX DEEP
 - 1. MATERIAL #: XXXXX-XXXX
 - 2. DATE CODE: JJJY (JULIAN DAY, LAST DIGIT OF YEAR)
 - 3. INSPECTION MACHINE CODE + SERIAL #: X_XXXXXX

3. DESIGN - MANUFACTURING:

- A. DRAFT TO BE WITHIN TOLERANCE.
- B. ALLOWABLE FLASH MAX 0.2 HIGH X MAX 0.13 THICK.
- C. ALLOWABLE PARTING LINE MISMATCH 0.2 MAX.
- D. EJECTOR PINS MARK TO BE FLUSH TO 0.25 MAX DEPRESSED.
- E. ALLOWABLE GATE VESTIGE FLUSH TO 0.25 MAX PROTRUSION.
- F. NO EXTERNAL MOLD RELEASE AGENT ALLOWED DURING MANUFACTURING.
- G. STEEL THAT FORMS THE INDICATED SURFACE MUST BE POLISHED WITH A DIAMOND FINISH (SPI A-2) OVER THE FULL PERIPHERY OF THE TOOL. SURFACE MUST HAVE NO MISMATCH.
- H. ANY PROCESS LUBRICANT REMAINING ON THE TERMINAL MUST NOT VARNISH OR DEGRADE IT'S ELECTRICAL PERFORMANCE UP TO A MAXIMUM CLASS AMBIENT TEMPERATURE PER SAE USCAR-2 FOR 1008 HOURS. PROCESS LUBRICANTS SHOULD BE APPROVED BY THE RESPONSIBLE ENGINEER.
- J. OPTIONAL FEATURES PROVIDED FOR AUTOMATION.
- K. PART MUST BE FREE FROM BURRS AND SHARP EDGES, WHICH MIGHT BE DETRIMENTAL TO SATISFACTORY ASSEMBLY, SAFE HANDLING OR FUNCTION OF PART.
- L. PARTS AS DELIVERED TO ASSEMBLY SHALL BE CLEAN AND FREE OF DEBRIS, RESIDUAL ABRASIVE MATERIAL AND CORROSION PRODUCTS ADVERESLY AFFECTING FUNCTION OR APPEARANCE.
- M. RESTRICTED AND REPORTABLE SUBSTANCES FOR PARTS PER GMW3059.

	PAGE TITLE		DRAWING NUMBER	DWG STATUS			PAGE NUMBER	
	NOTES		12672832	ST	REV	PDI	6 of 23	
				R	001			

NOTES: UNLESS OTHERWISE SPECIFIED

4. SYSTEM REQUIREMENTS:

- A. HARNESS CONNECTOR IS COMPATIBLE WITH THE FOLLOWING WIRE SIZE NO'S:
 0.35mm², MEETING GMW15626 - MIN OD OF 1.30MM
 0.50mm², MEETING GMW15626
 0.75mm², MEETING GMW15626 - MIN OD OF 2.06MM

B. CABLE TIE SPECIFICATIONS:

1. CABLE TIE:
 TENSILE RATING: 220N / (50lbs) MIN
 TIE LENGTH: 186mm MIN
 TIE WIDTH: 4.75mm MAX
 MATERIAL: NYLON
2. INSTALLATION:
 CABLE TIE TENSION: 190N MIN
3. DRESSED WIRE BUNDLE PACKAGING: SEE FIG. 1

C. WHEN MATED WITH COMPONENT CONNECTOR INTERFACE AND/OR DRESS COVER, HARNESS CONNECTOR SYSTEM CONFORMS TO THE FOLLOWING:

1. SAE/USCAR-2, REV: 3 APRIL, 2001; CLASS 3
2. FIELD CORRELATED LIFE TEST, SAE/USCAR-20, NOV. 2001
3. GMW #3191 AUGUST 22, 2000 (DRAFT); TEMPERATURE CLASS 3 (145°C), SEALING CLASS 1 (HIGH PRESSURE SPRAY), VIBRATION CLASS 2 (ON BODY)
4. TPA USER FORCES (FULLY POPULATED WITH TERMINALS)
 - α. REMOVAL FROM LOCK TO PRE-SET: <=120N

D. WIRE SPECIFICATIONS:

1. WIRE SURFACE MUST BE FREE OF SCRATCHES, GROOVES OR DENTS WHERE FUNCTIONAL

5. TERMINAL CURRENT RATINGS:

A. MX64 RCPT TERM

ALL TESTING DONE IN ACCORDANCE WITH USCAR-2 REV5 SECTION 5.3

1. MX64 RCPT TERM Ag 0.50/0.75mm² CRIMPED TO 0.75mm² ISO WIRE AND MATED TO MX123 0.64MM PIN: SEE TABLE BELOW
2. MX64 RCPT TERM Ag 0.35mm² CRIMPED TO 0.35mm² ISO WIRE AND MATED TO MX123 0.64MM PIN: SEE TABLE BELOW

WIRE	CURRENT RATING			
	23 °C	85 °C	105 °C	125 °C
0.75mm ²	11.3A	11.3A	9.5A	6.6A
0.50mm ²	10.0A	10.0A	8.3A	5.7A
0.35mm ²	8.5A	8.5A	7.1A	5.0A

B. 2.8MM RCPT TERM

ALL TESTING DONE IN ACCORDANCE WITH MOLEX DVP&R 0279 (TR# 7125)

1. 2.8MM RCPT TERM TIN 2.0mm² CRIMPED TO 2.0mm² ISO WIRE AND MATED TO MX123 2.8MM BLADE: 25.6 AMPS AT 125°C

C. 6.3MM RCPT TERM - DELPHI APEX

ALL TESTING DONE IN ACCORDANCE WITH USCAR-2 REV5 SECTION 5.3

1. 6.3MM RCPT TERM TIN/SILVER CRIMPED TO 6.0MM² WIRE AND MATED TO MOLEX 6.3MM² BLADE (Sn/Ag PLATED): 36A AT 125°C

6. CONTACT MOLEX AUTOMOTIVE FOR AVAILABLE CUSTOM PATTERNS OF CAVITIES OPEN FOR CIRCUITS - SEE GM DRAWING 13507495



PAGE TITLE
NOTES

DRAWING NUMBER

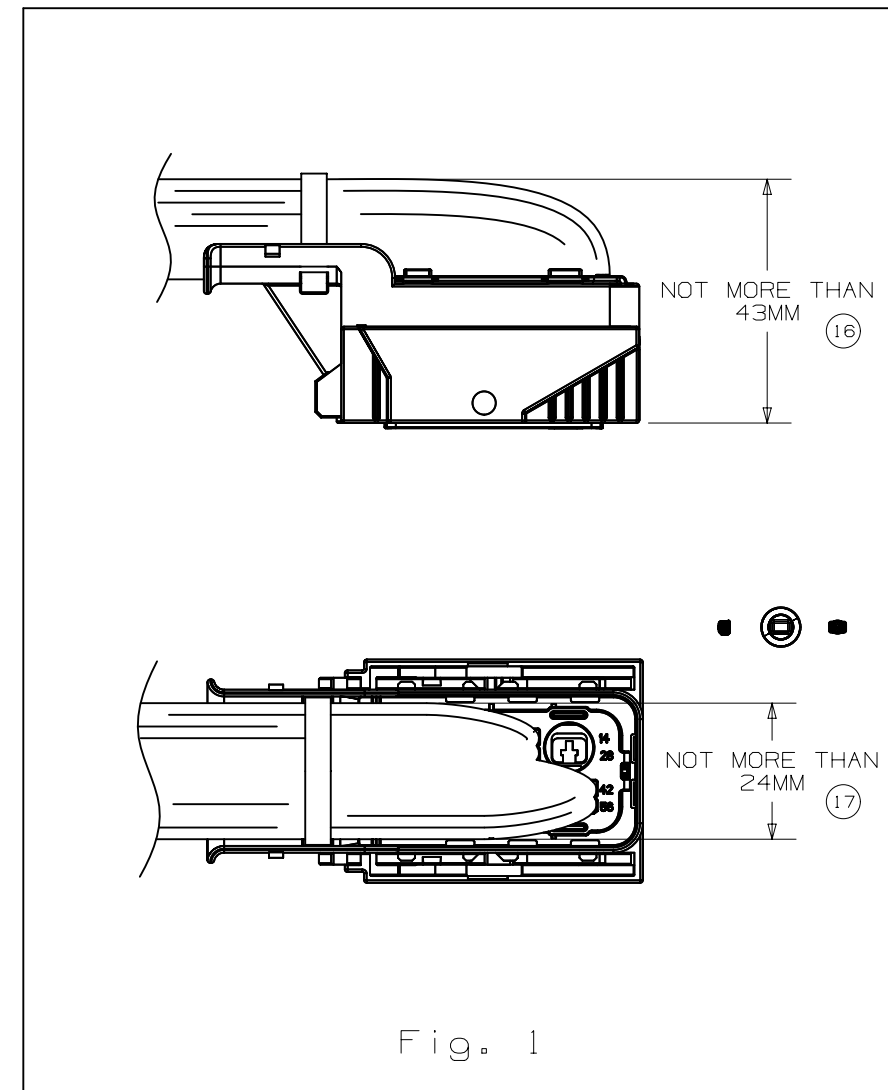
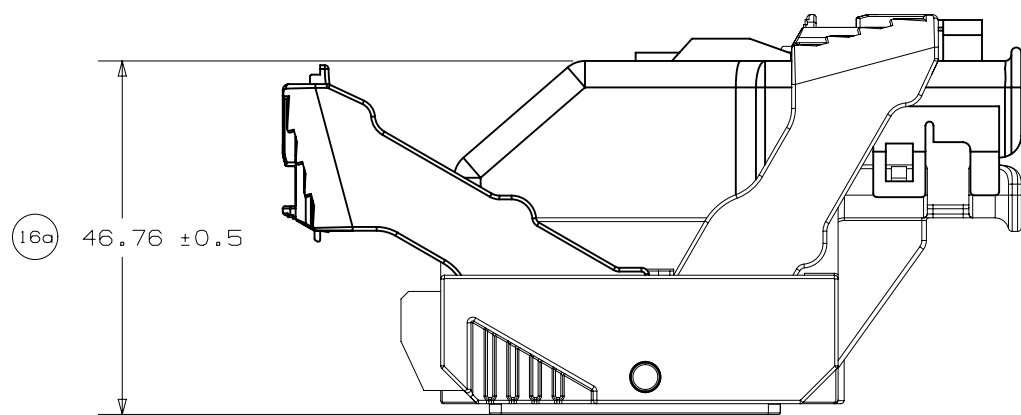
12672832

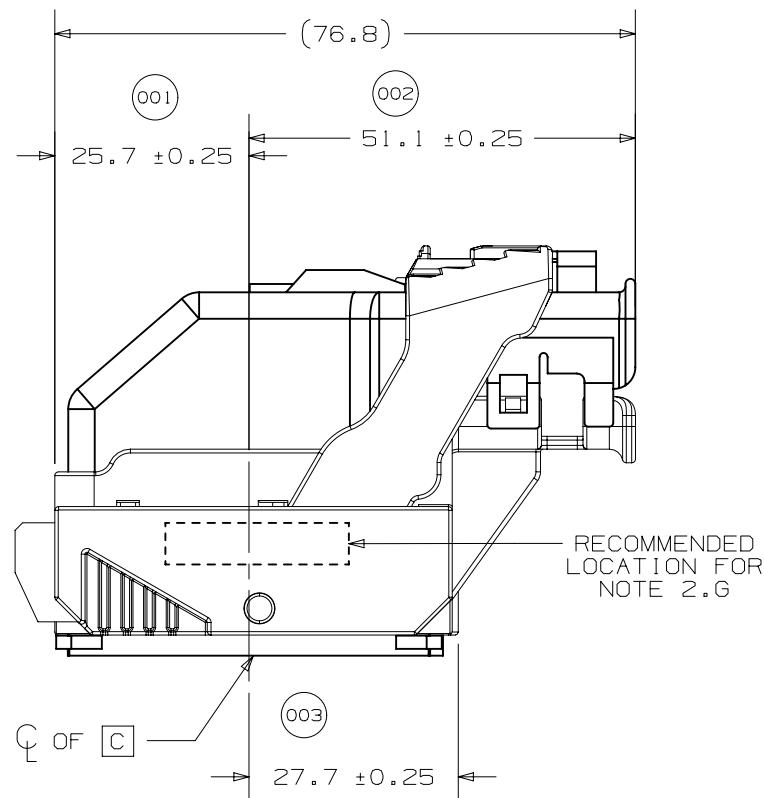
DWG STATUS

ST	REV	PD1
R	001	

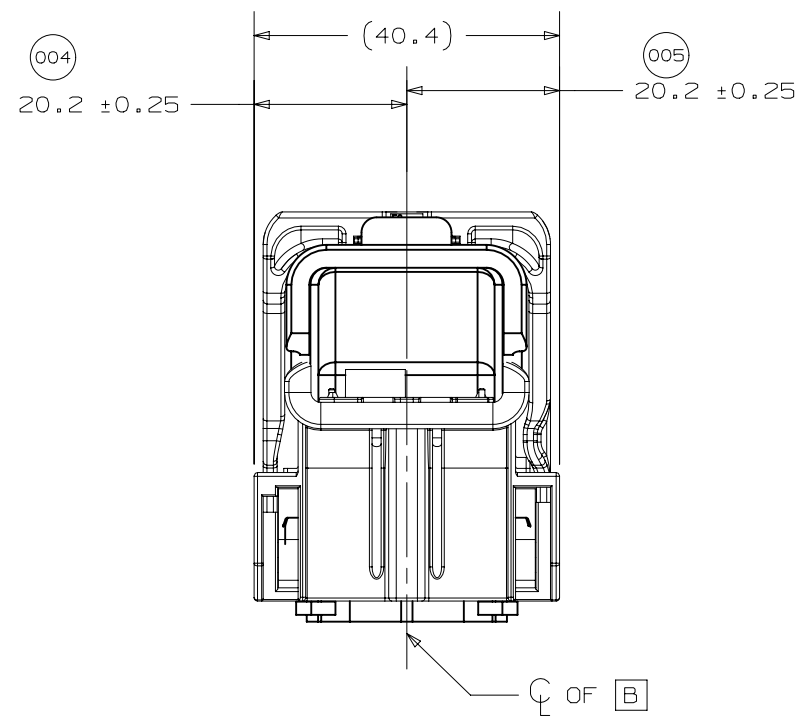
PAGE NUMBER

7 of 23

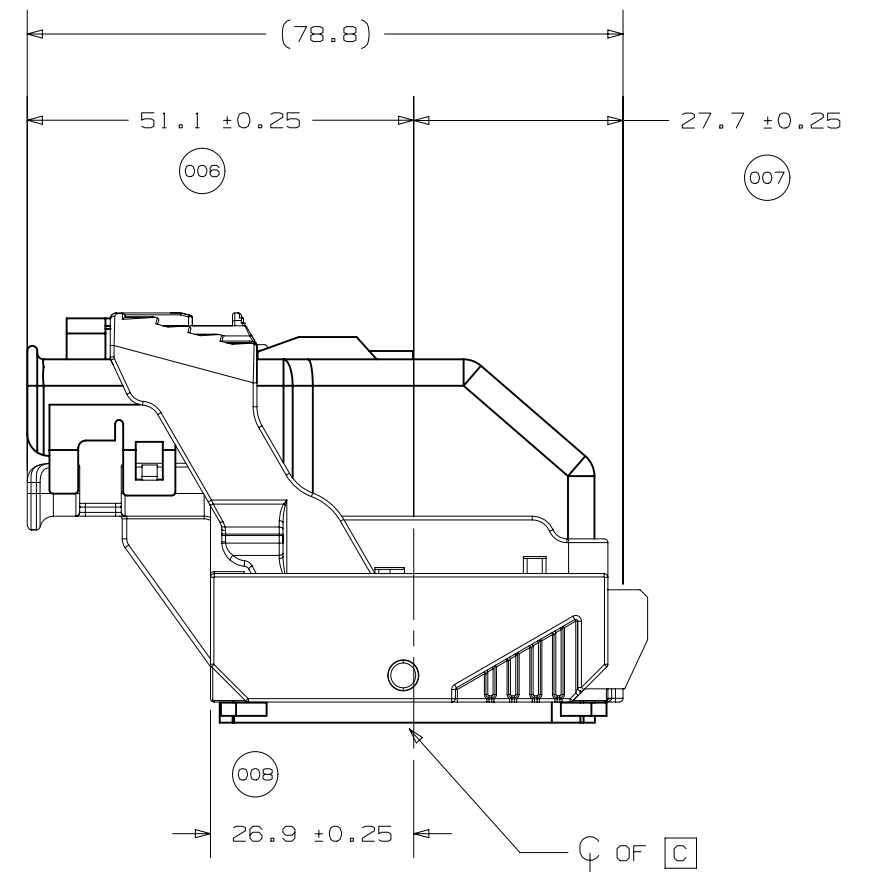




WIRE DRESS OPTION 0 SHOWN

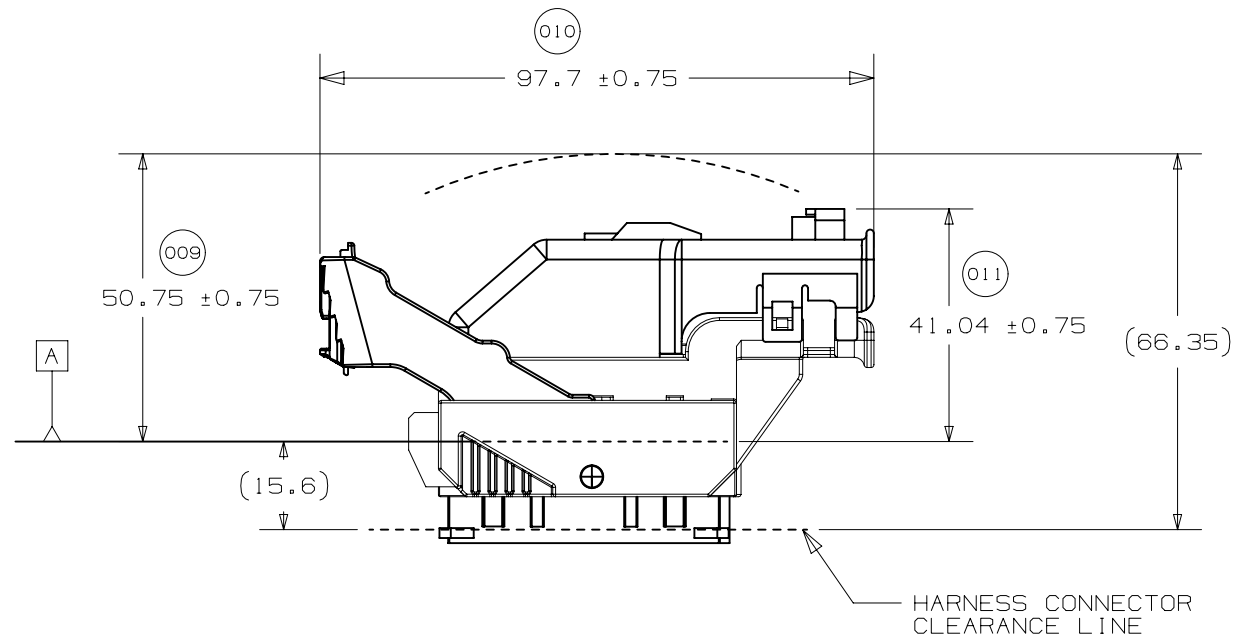
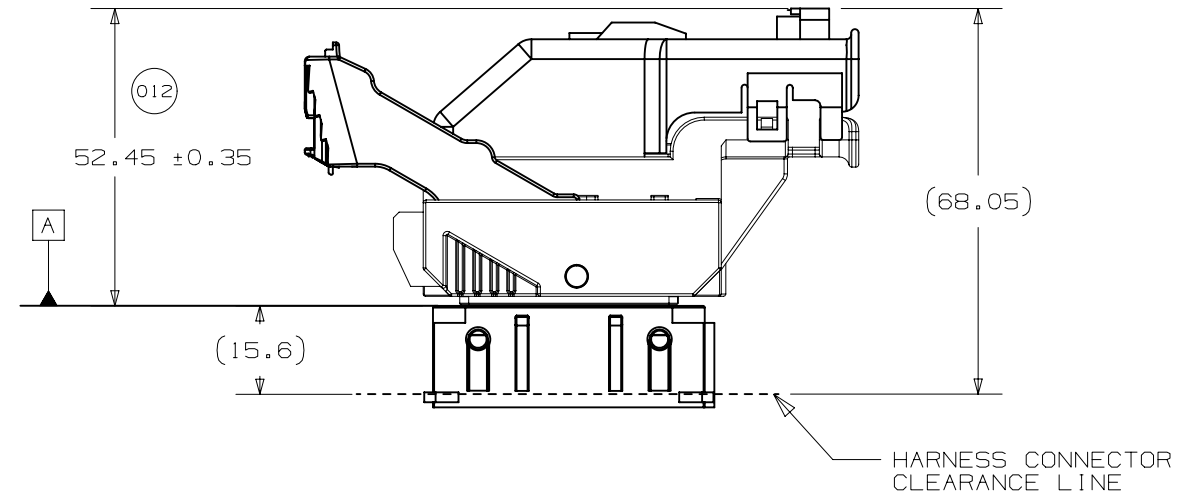


WIRE DRESS OPTION 0 SHOWN

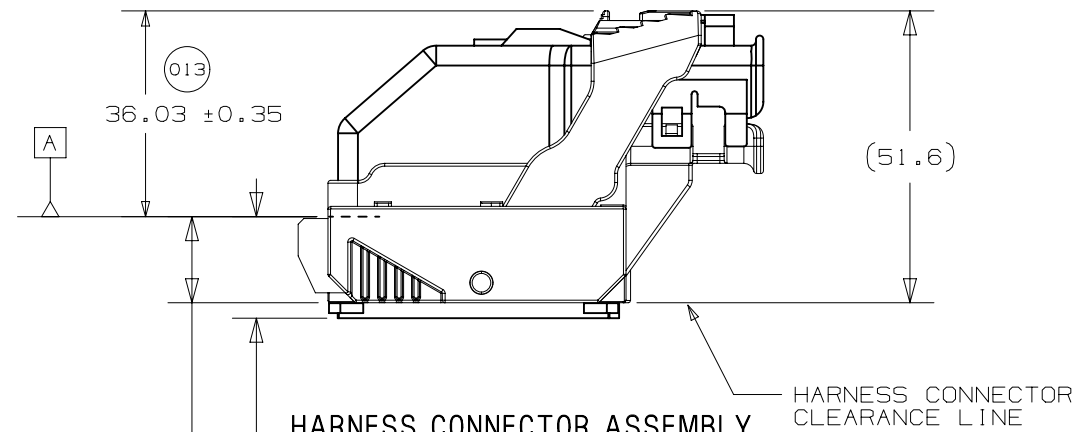


WIRE DRESS OPTION 9 SHOWN





HARNESS CONNECTOR ASSEMBLY
IN PRE-LOCK POSITION

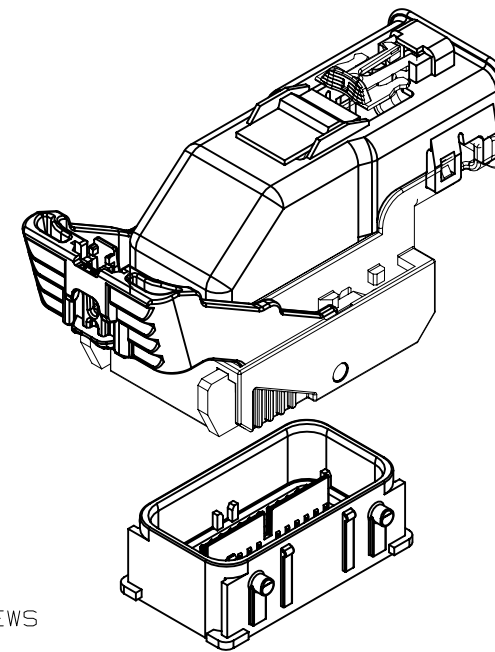
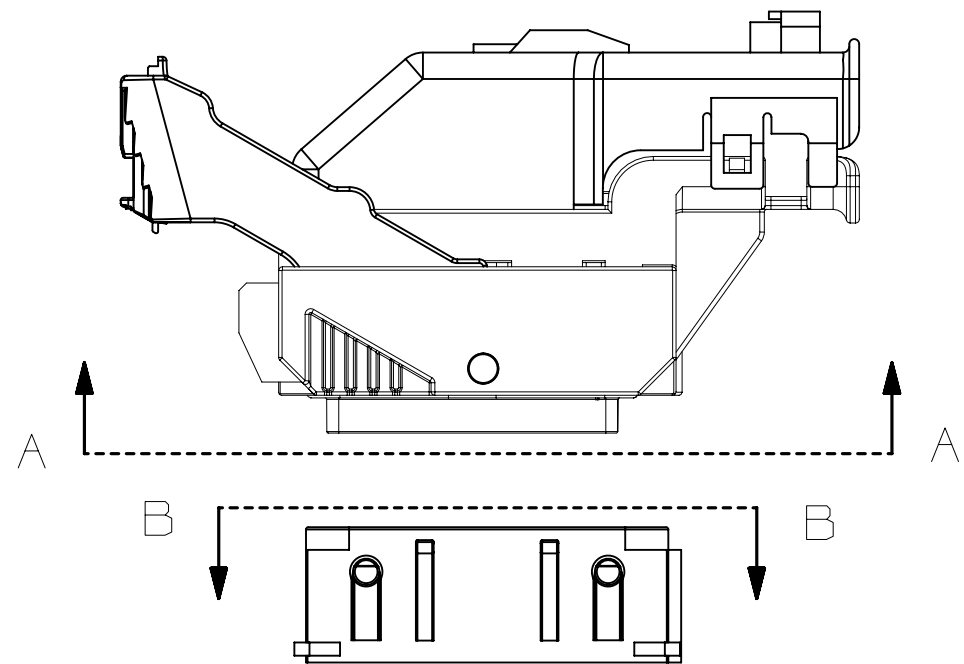


HARNESS CONNECTOR ASSEMBLY
IN FULLY-MATED POSITION

015 17.9 MIN. AT PAD LOCATION
CLEARANCE REQUIRED
FOR HARNESS CONNECTOR,
CONSTRUCTION BELOW THIS
PLANE IS NOT CONTROLLED

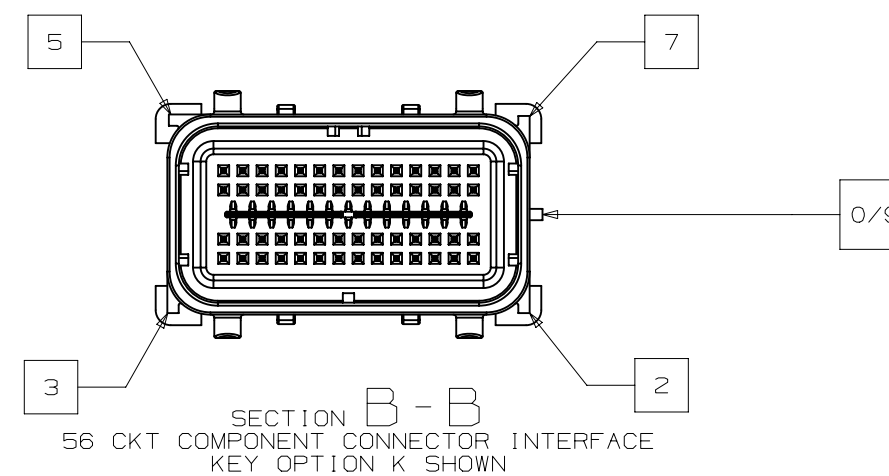
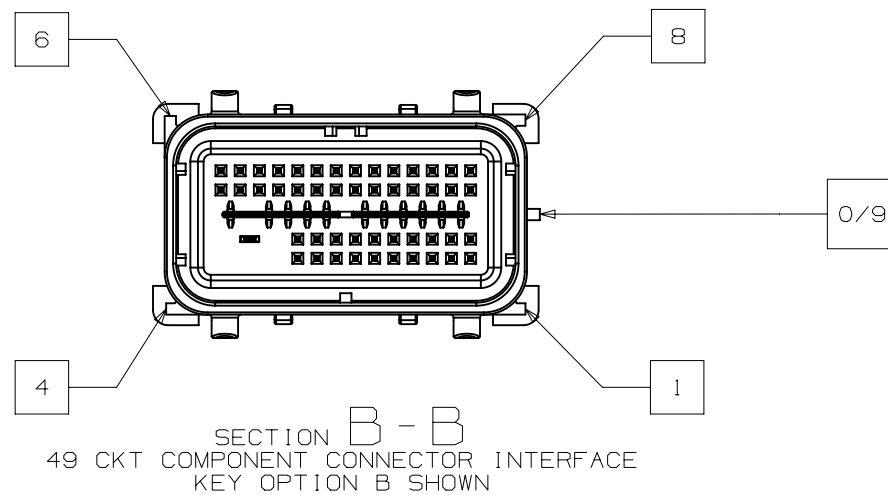
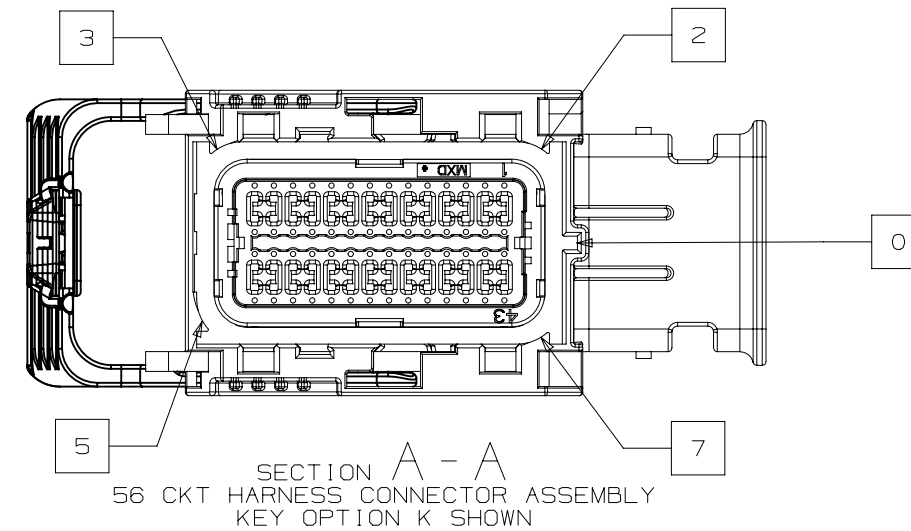
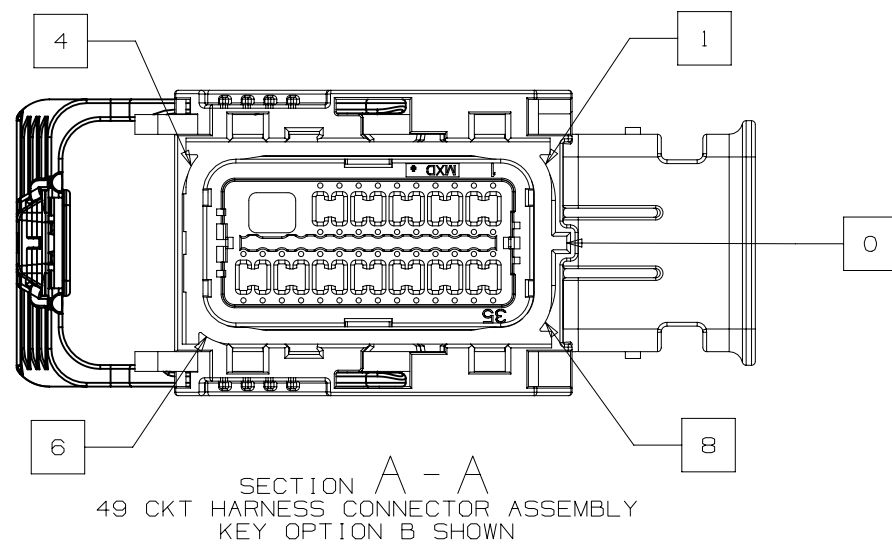
014 15.6 MIN.
ALL AROUND
CLEARANCE REQUIRED
FOR HARNESS CONNECTOR





NOTE: REFERENCE THE COMPONENT TABLE FOR KEY OPTIONS AND CONFIGURATIONS

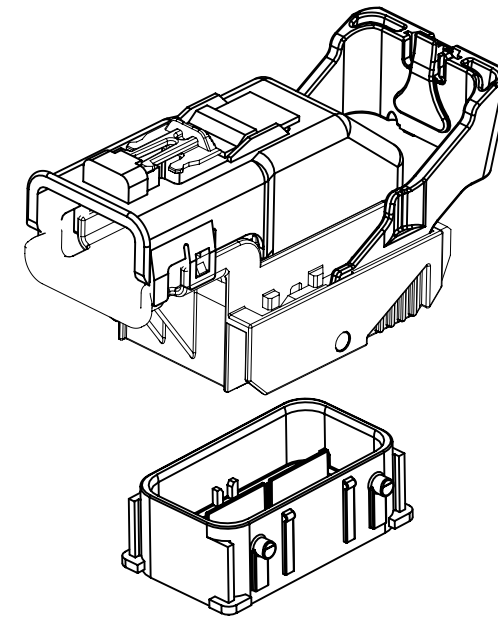
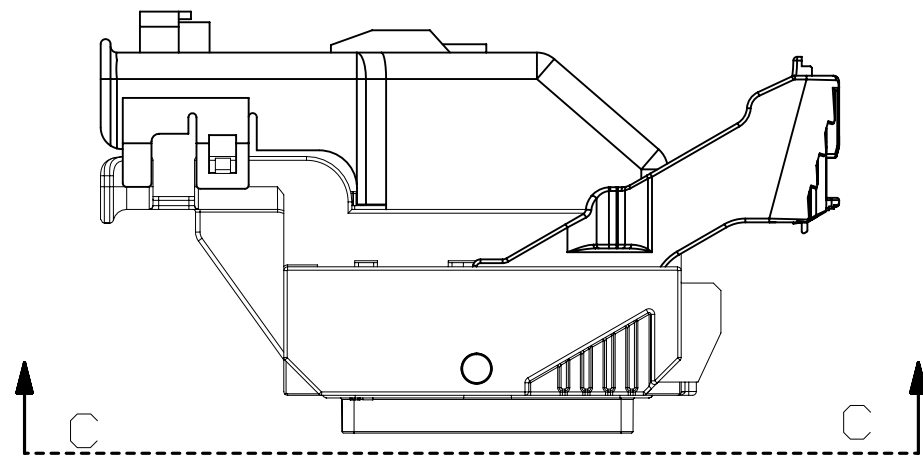
INTERFACE SIDE SHOWN IN ALL SECTION VIEWS



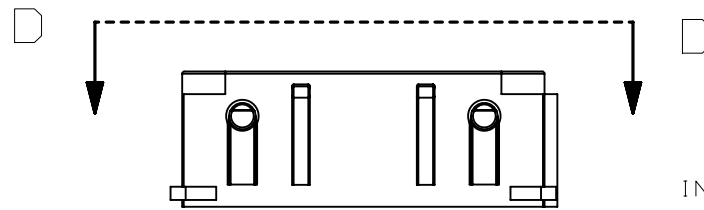
PAGE TITLE
KEY ID REF - WIRE DRESS OPTION 0

DRAWING NUMBER
12672832

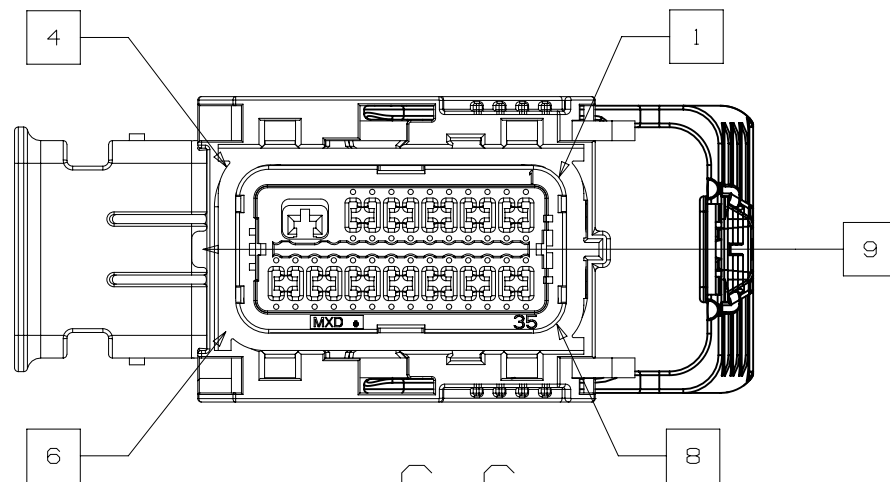
DWG STATUS			PAGE NUMBER	
ST	REV	PD1	11	OF 23
R	001			



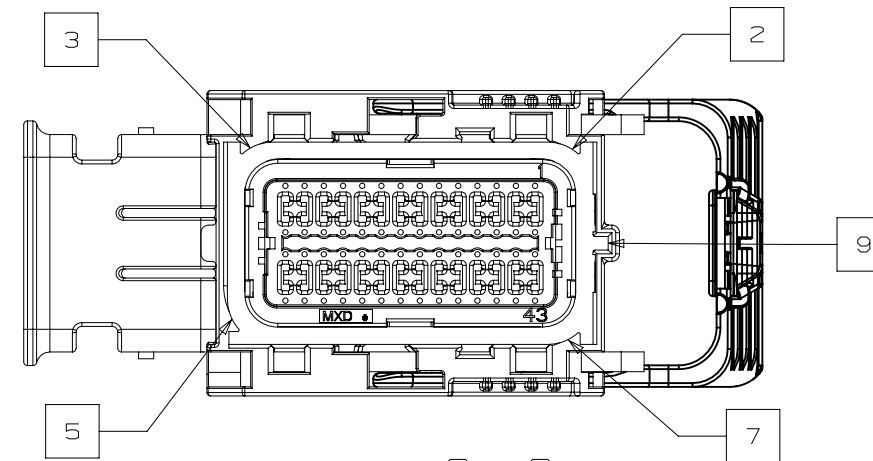
NOTE: REFERENCE THE COMPONENT TABLE FOR KEY OPTIONS AND CONFIGURATIONS



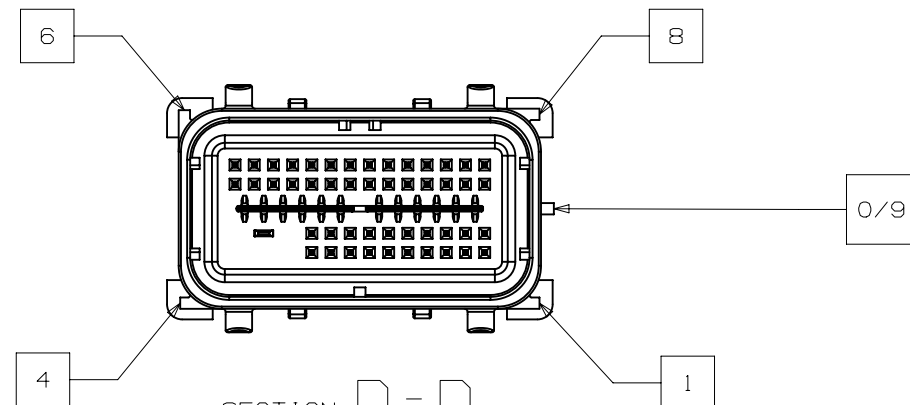
INTERFACE SIDE SHOWN ON ALL SECTION VIEWS



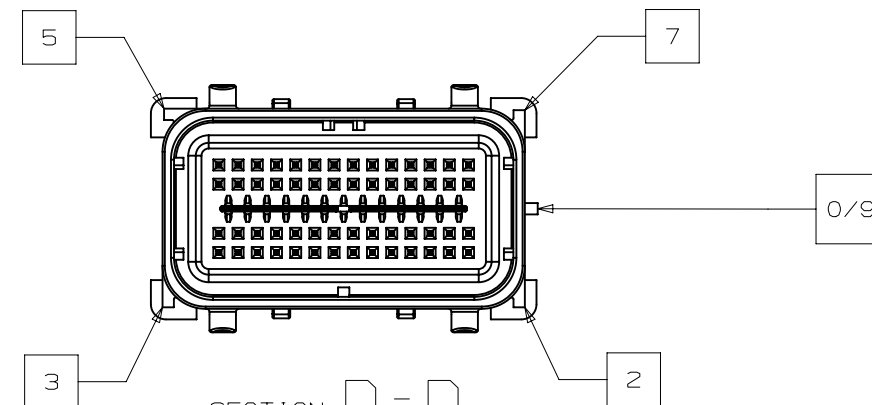
SECTION C - C
49 CKT HARNESS CONNECTOR ASSEMBLY
KEY OPTION B SHOWN



SECTION C - C
56 CKT HARNESS CONNECTOR ASSEMBLY
KEY OPTION K SHOWN



SECTION D - D
49 CKT COMPONENT CONNECTOR INTERFACE
KEY OPTION B SHOWN



SECTION D - D
56 CKT COMPONENT CONNECTOR INTERFACE
KEY OPTION K SHOWN

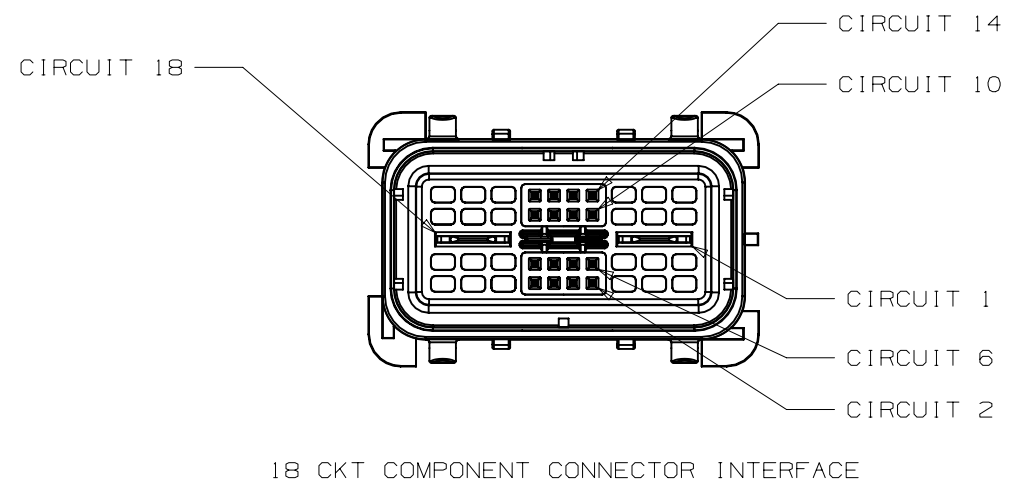
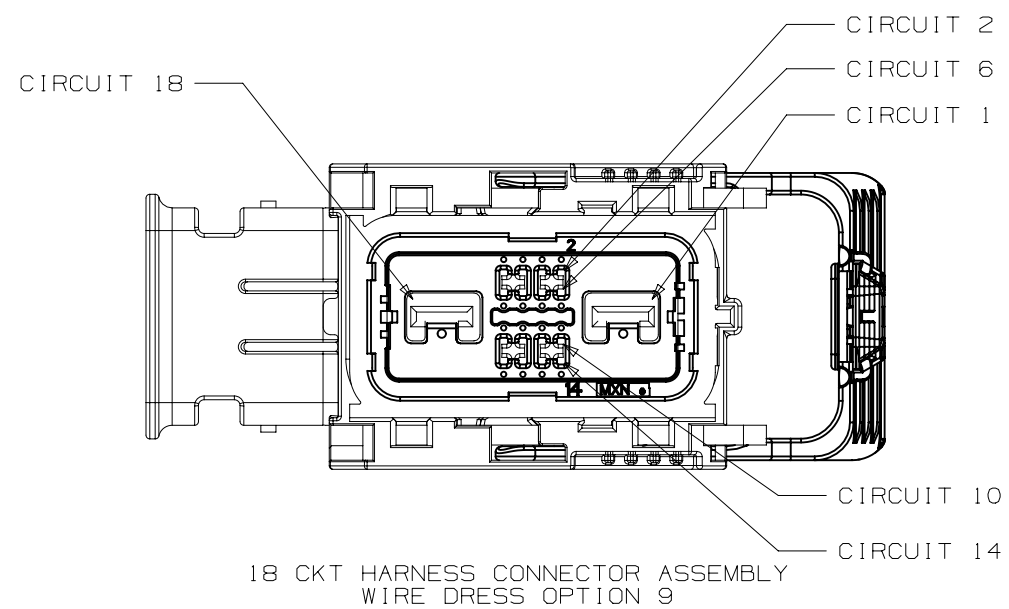
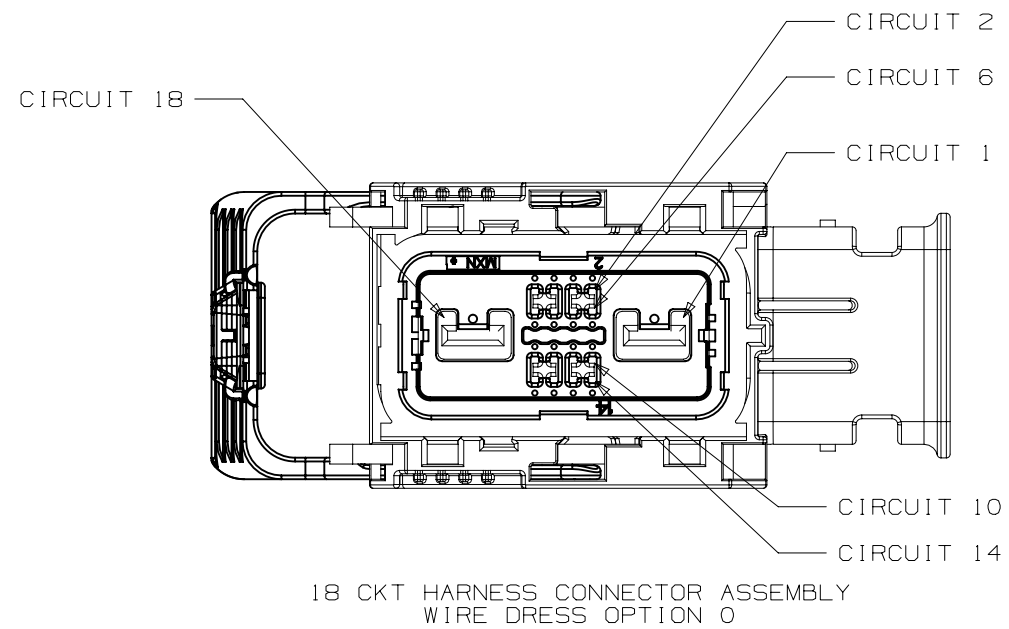


PAGE TITLE
KEY ID REF - WIRE DRESS OPTION 9

DRAWING NUMBER
12672832

DWG STATUS		
ST	REV	PD1
R	001	

PAGE NUMBER
12 OF 23



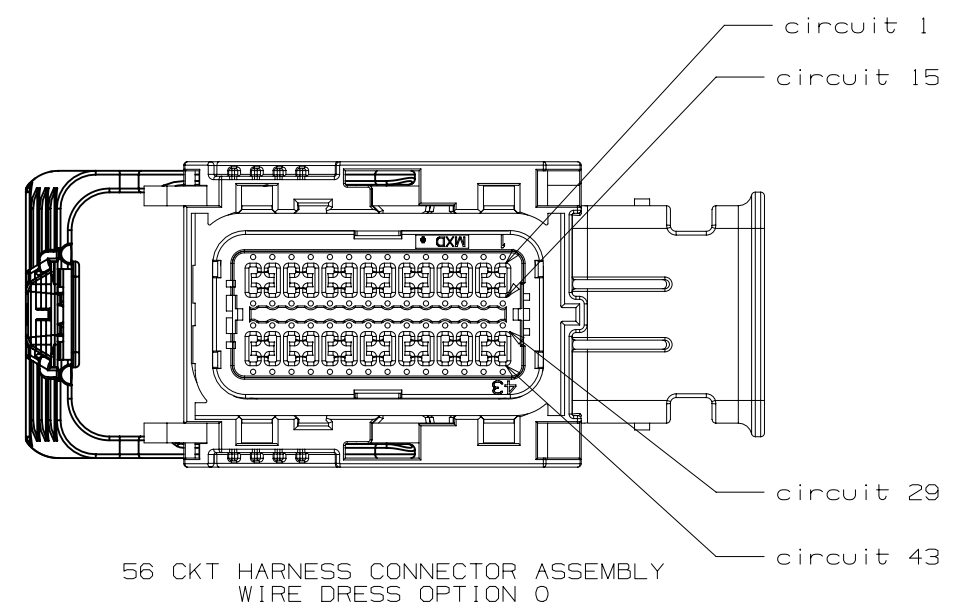
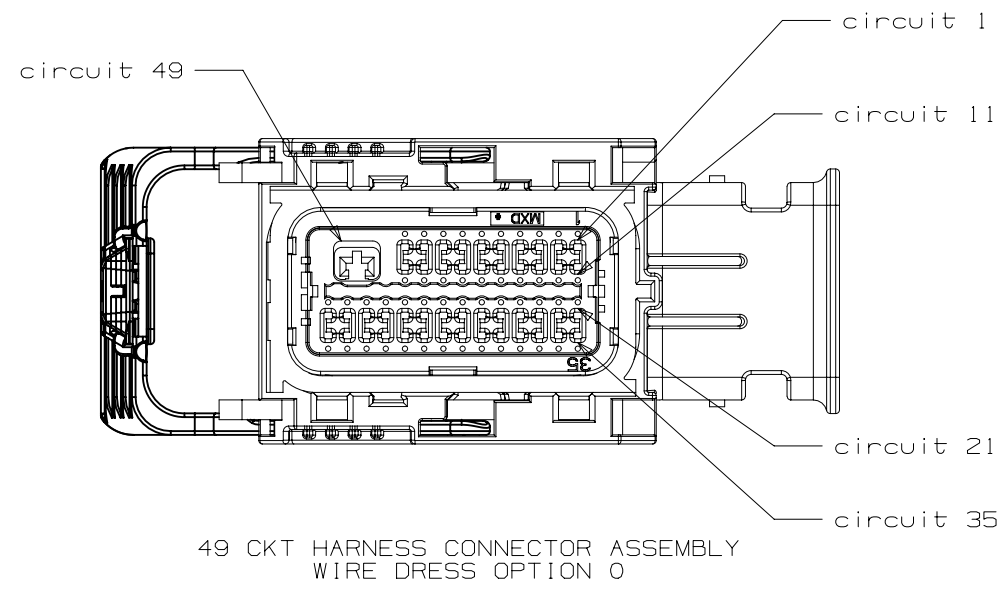
INTERFACE SIDE SHOWN ON ALL VIEWS



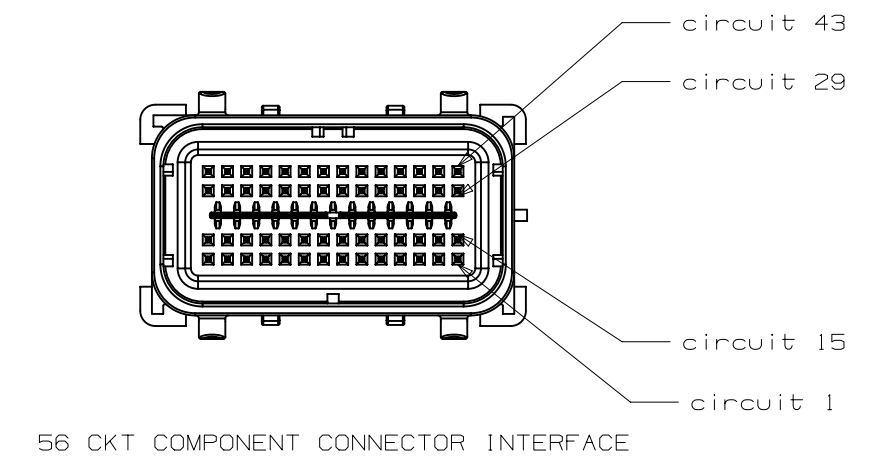
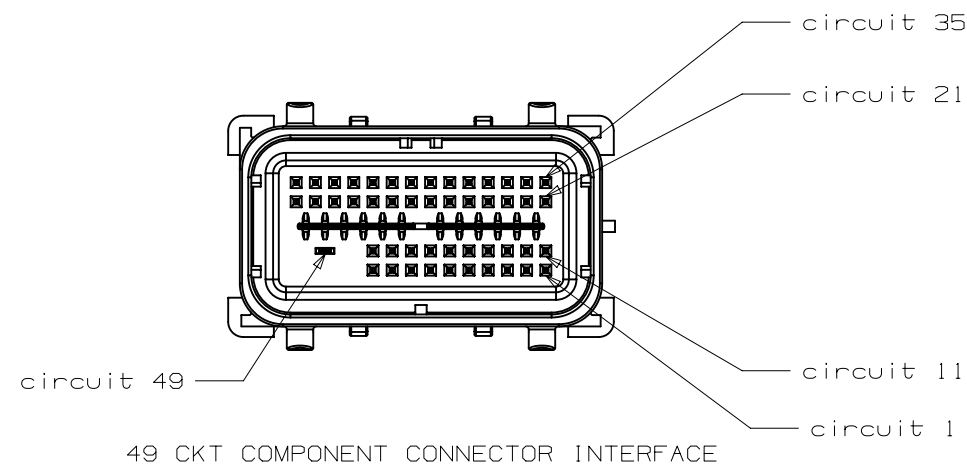
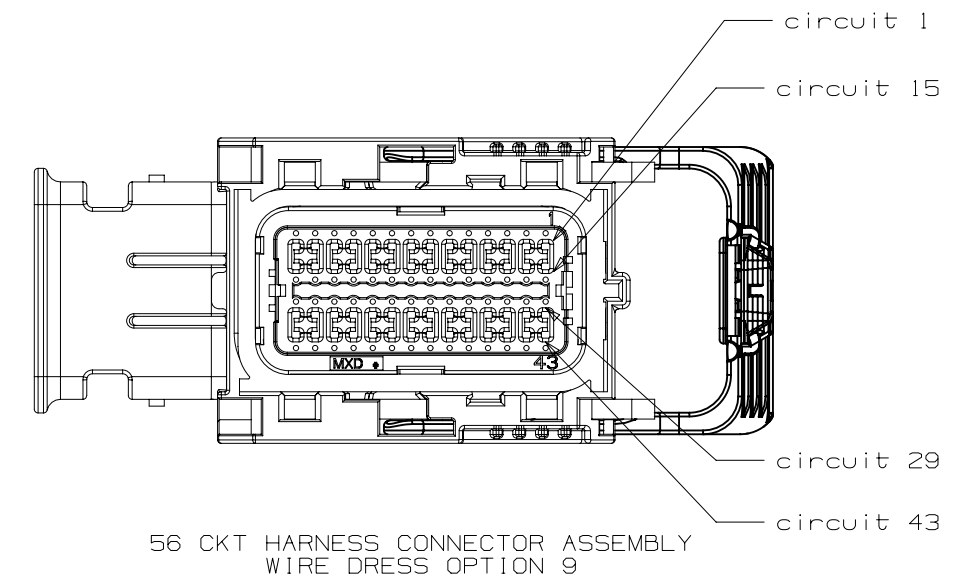
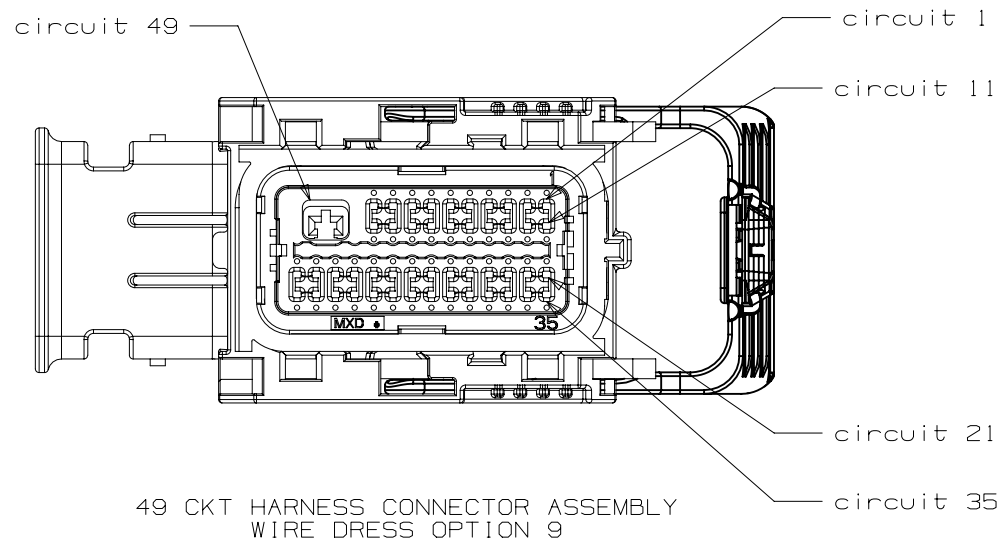
PAGE TITLE
CIRCUIT CONFIGURATIONS

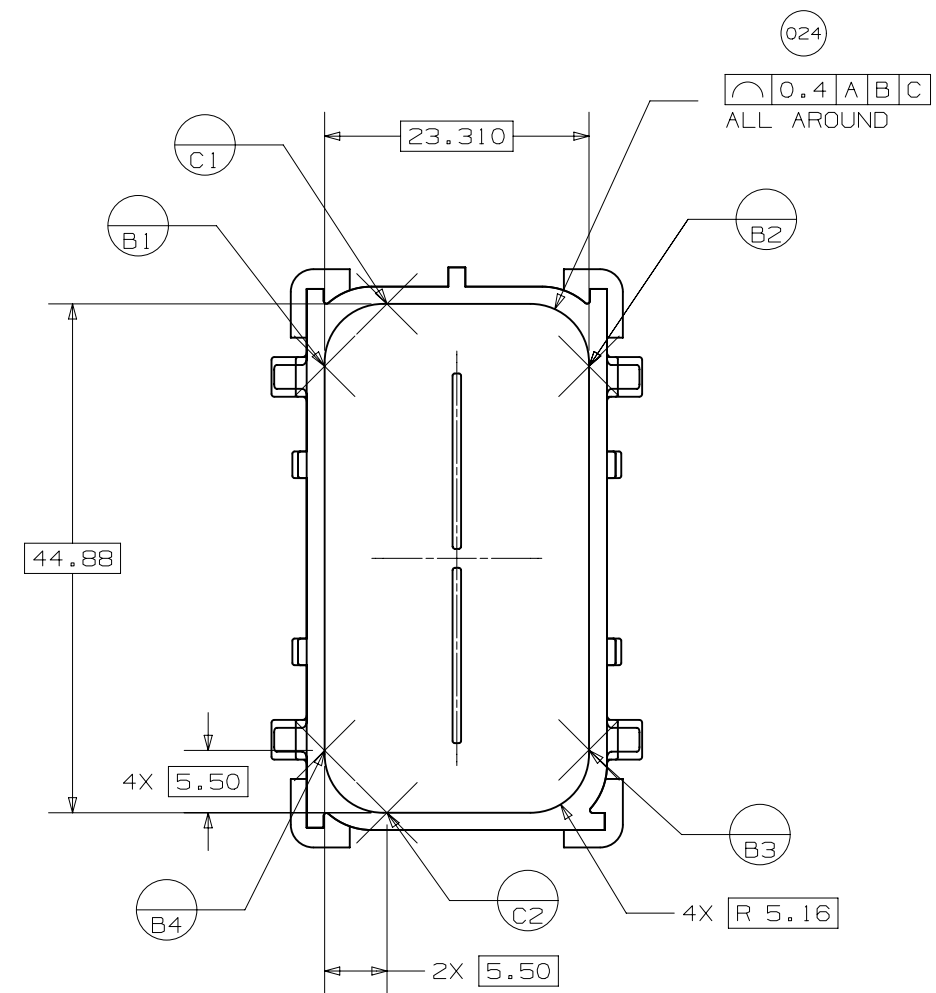
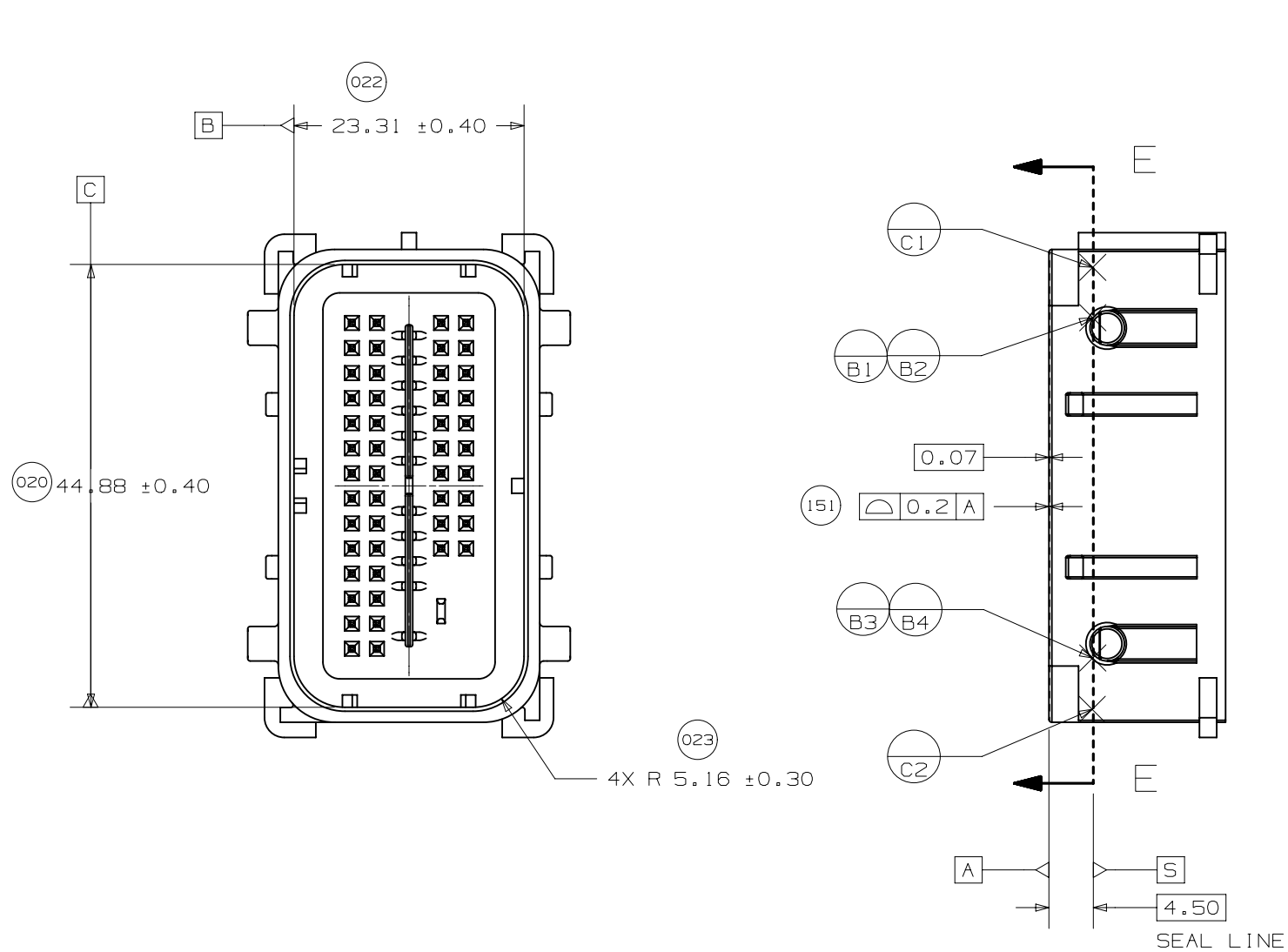
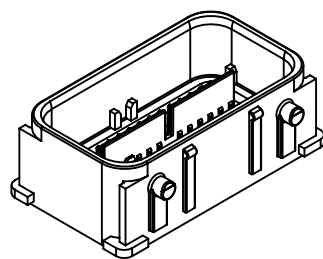
DRAWING NUMBER
12672832

DWG STATUS			PAGE NUMBER	
ST	REV	PDI	13	OF 23
R	001			



INTERFACE SIDE SHOWN ON ALL VIEWS





SECTION E-E
(AT SEAL LINE)

UNLESS SPECIFIED, TOLERANCE OF THE DEVICE INTERFACE TO BE $\triangle 0.13 A B C$

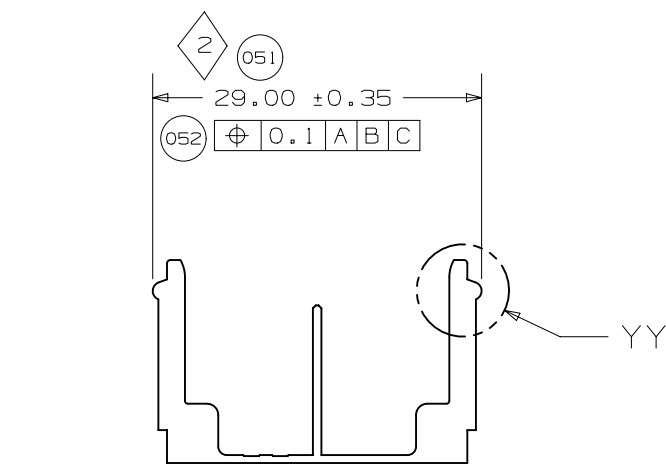
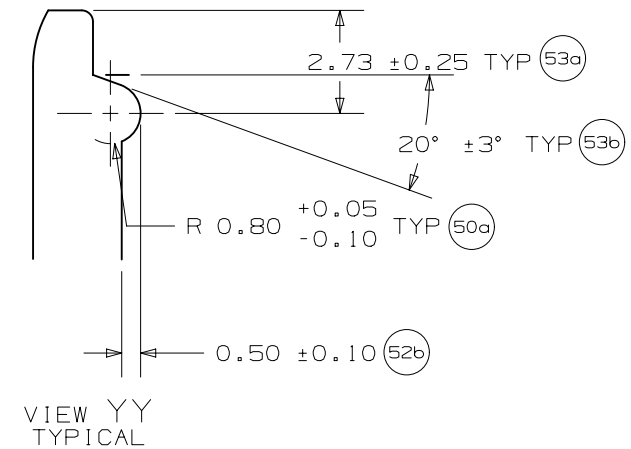
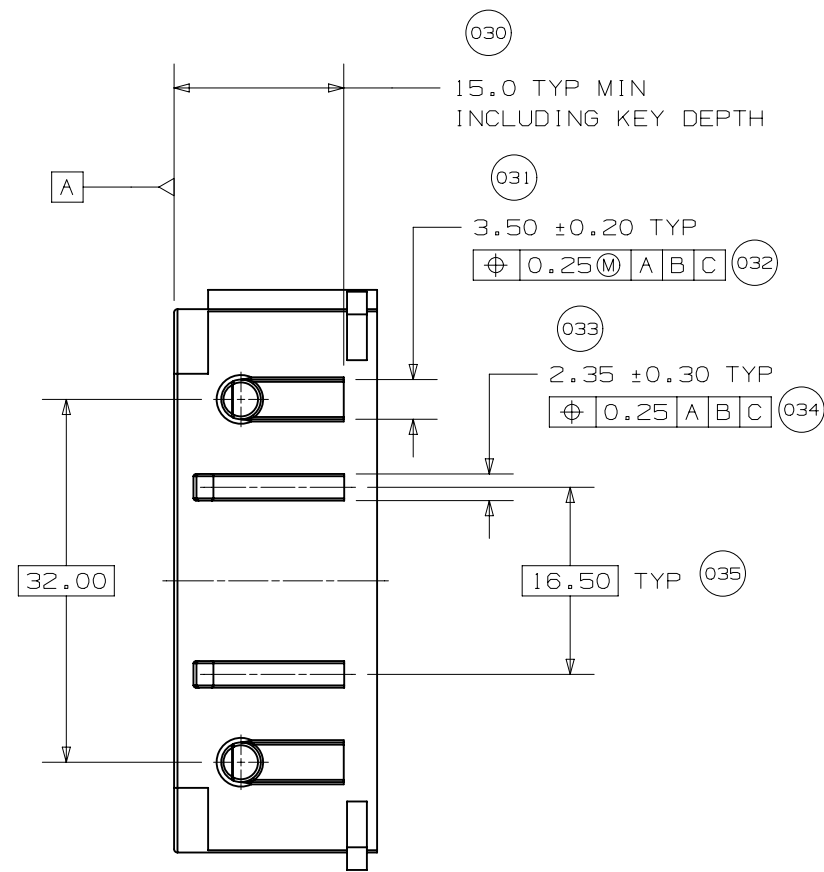
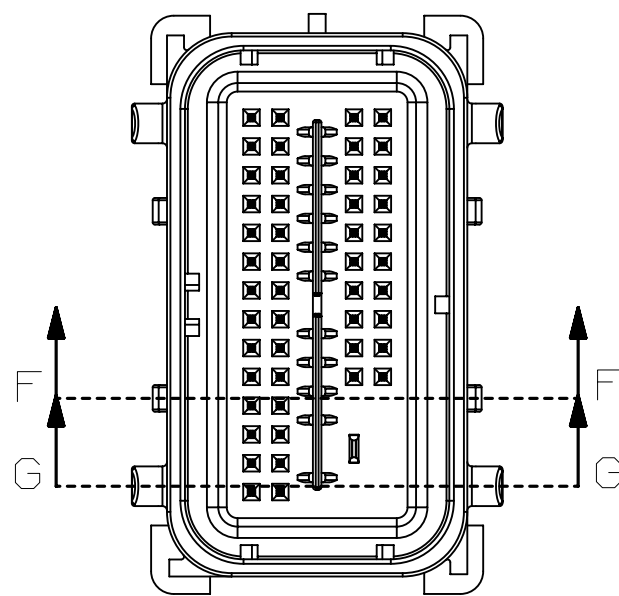


PAGE TITLE
COMPONENT CONNECTOR INTERFACE

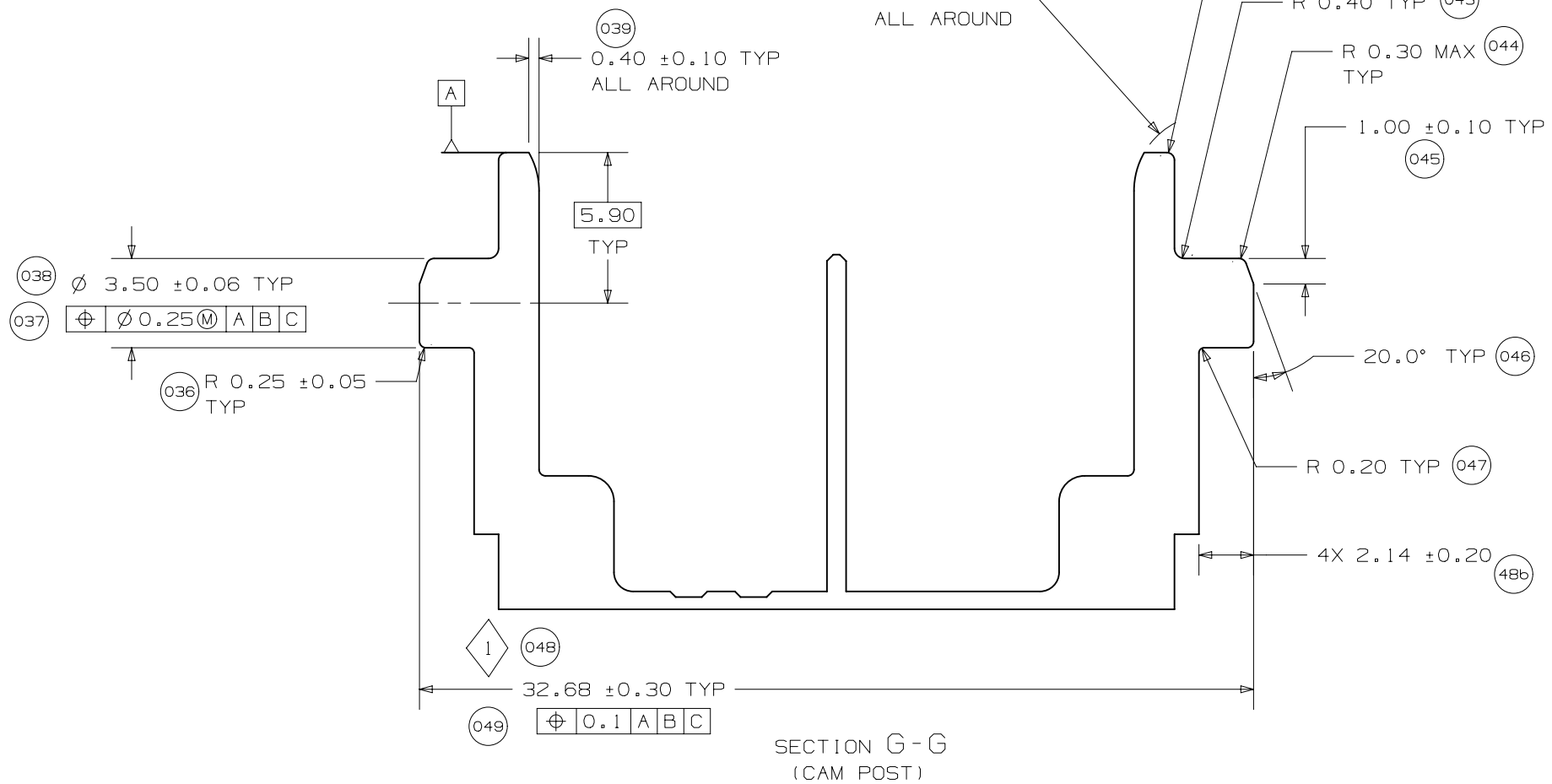
DRAWING NUMBER
12672832

DWG STATUS		
ST	REV	PD1
R	001	

PAGE NUMBER
15 OF 23

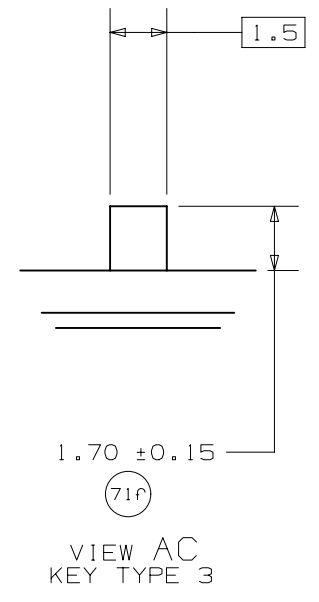
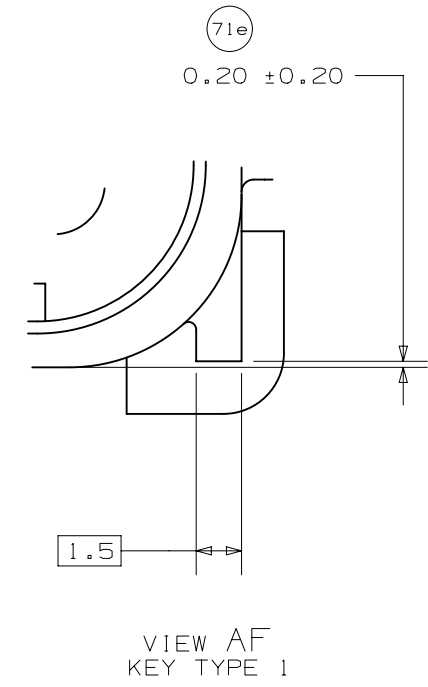
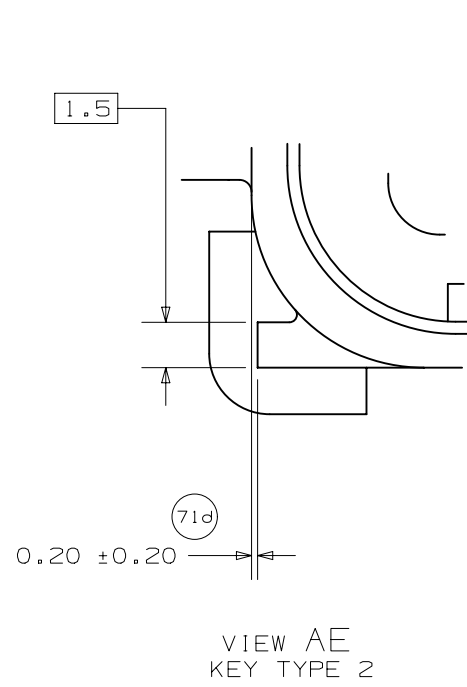
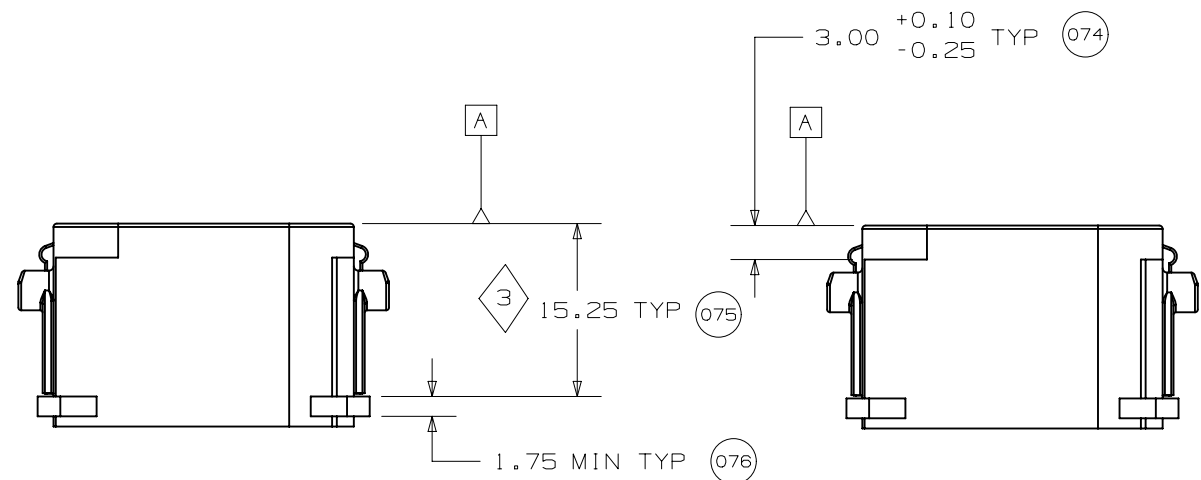
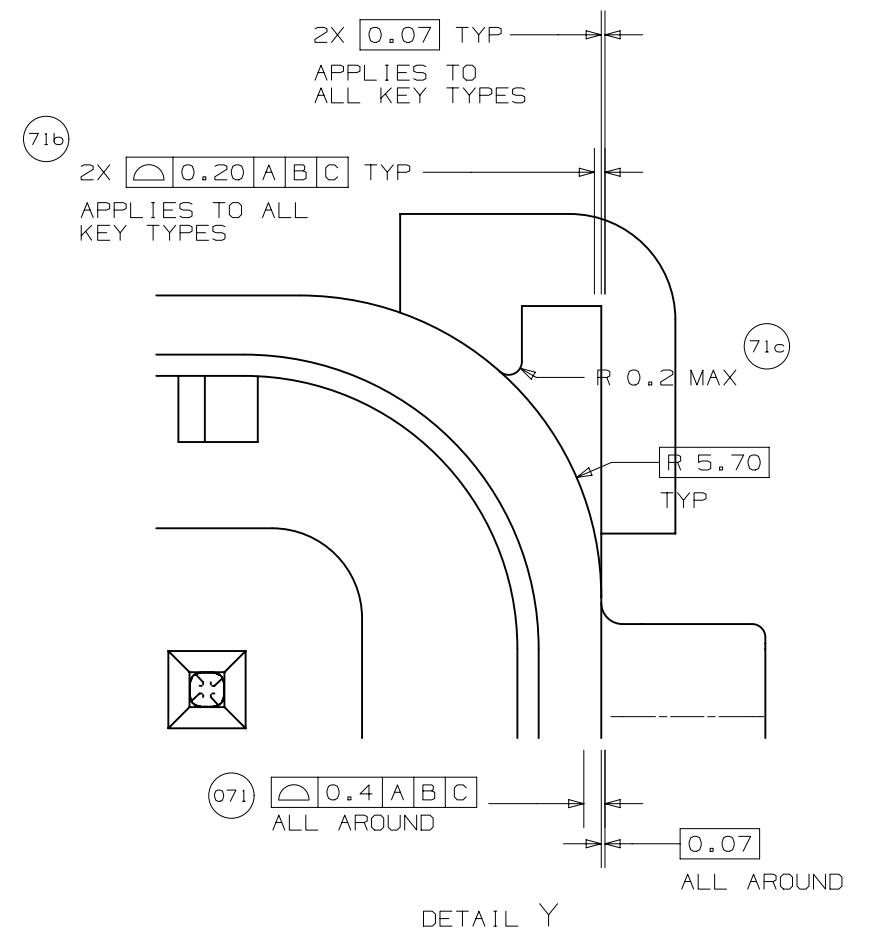
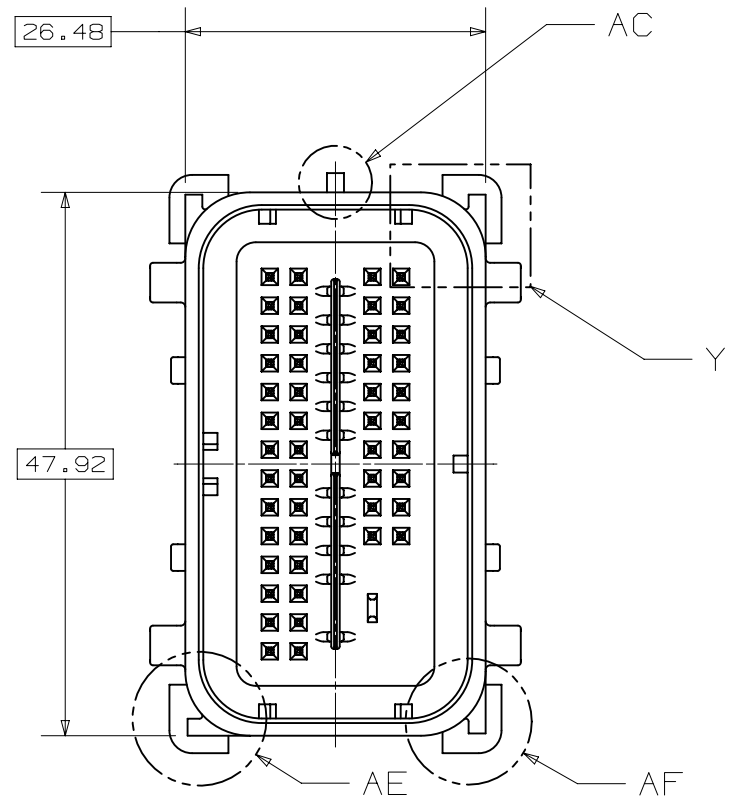
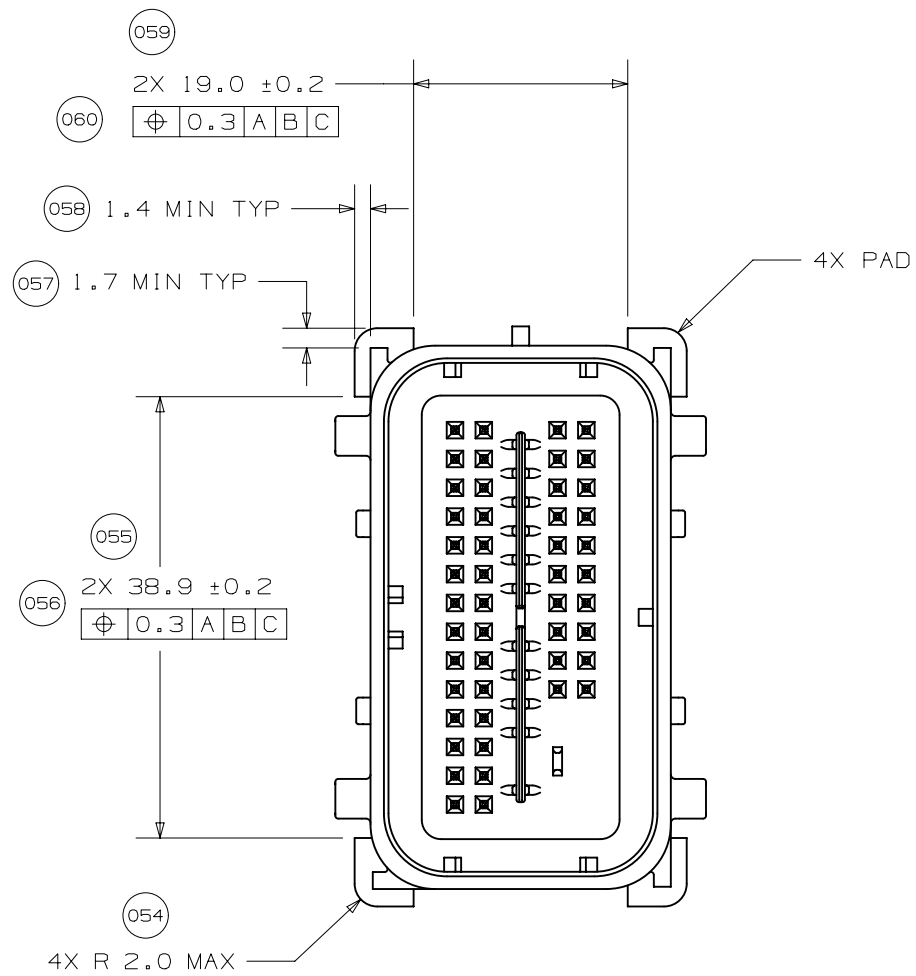


SECTION F-F
(RELEASE FEATURE)



SECTION G-G
(CAM POST)

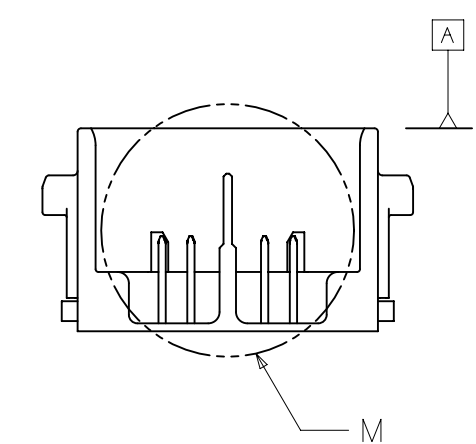
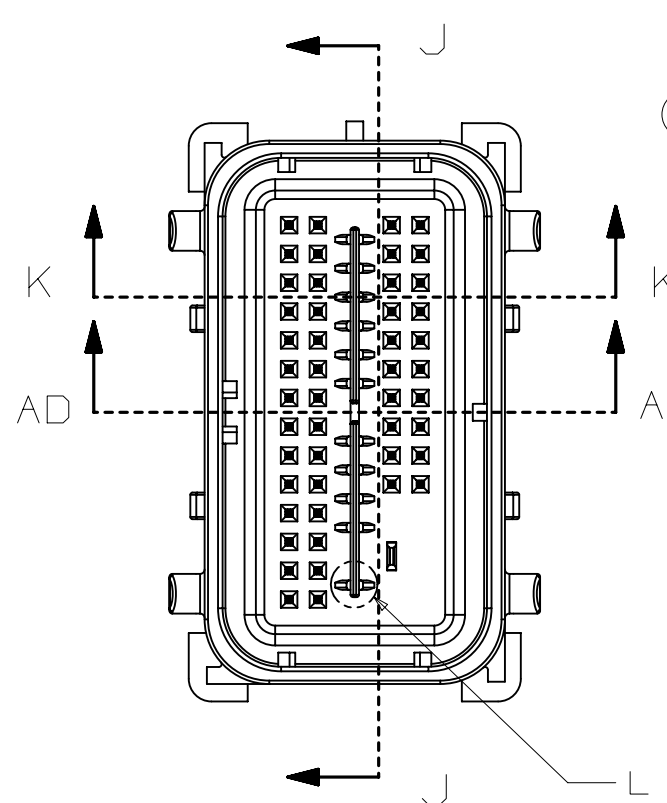




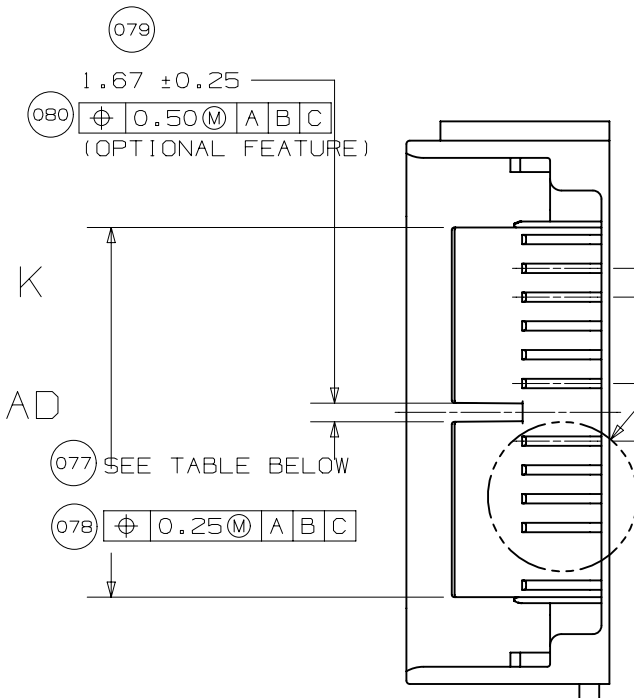
PAGE TITLE
 COMPONENT CONNECTOR INTERFACE

DRAWING NUMBER
 12672832

DWG STATUS			PAGE NUMBER
ST	REV	PD1	
R	001		17 of 23

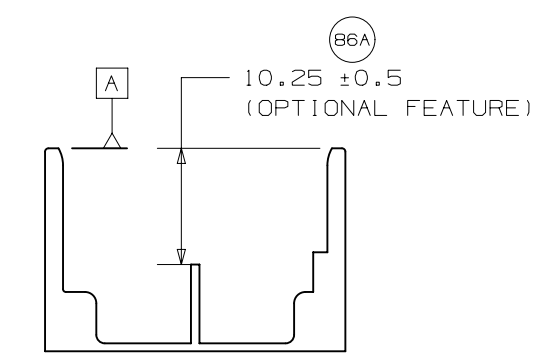


SECTION K-K



SECTION J-J

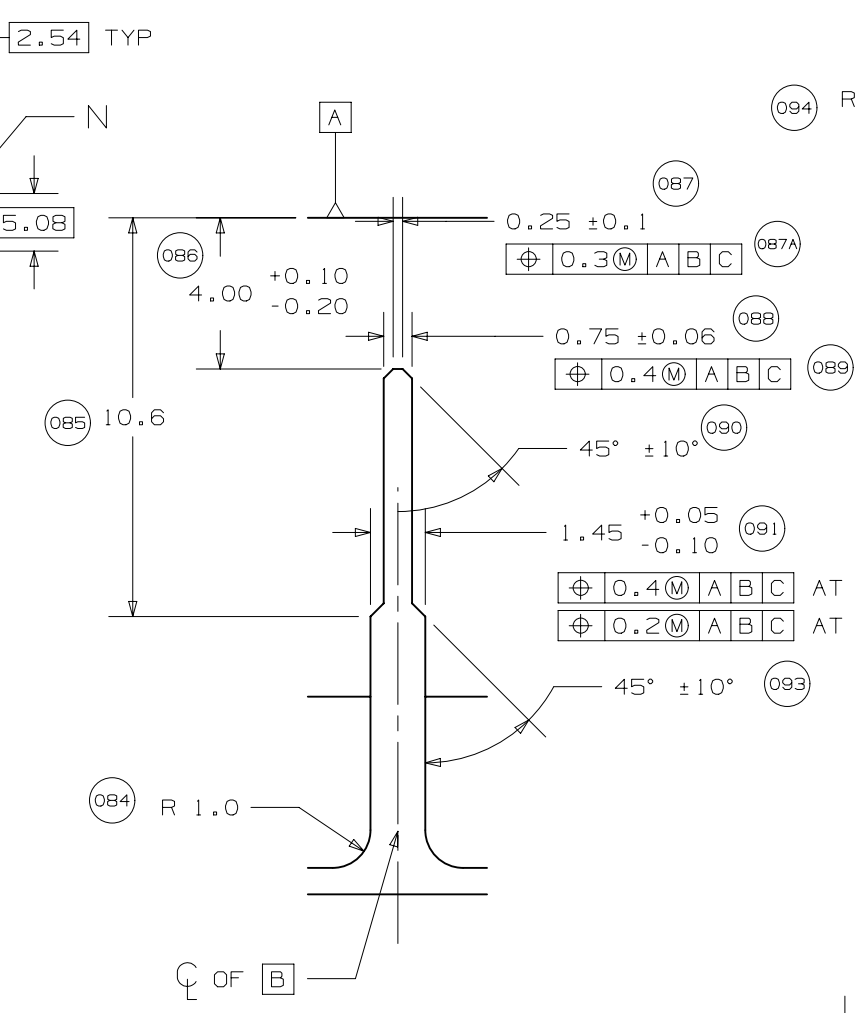
079 1.67 ±0.25
 080 Φ 0.50 (M) A B C
 (OPTIONAL FEATURE)
 077 SEE TABLE BELOW
 078 Φ 0.25 (M) A B C



SECTION AD-AD

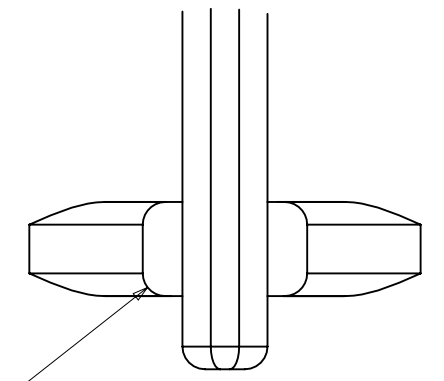
086A 10.25 ±0.5
 (OPTIONAL FEATURE)

CKT	DIM 077
49 / 56 CKT	32.60 +0.10/-0.60
18 CKT	10.04 +0.10/-0.60



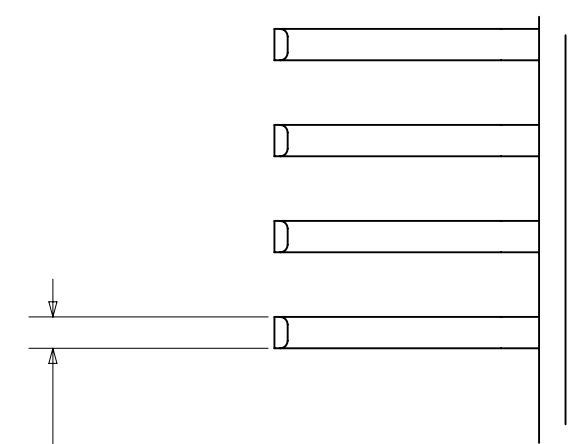
VIEW M TYPICAL

086 4.00 +0.10/-0.20
 087 0.25 ±0.1
 Φ 0.3 (M) A B C 087A
 0.75 ±0.06 088
 Φ 0.4 (M) A B C 089
 10.6 085
 45° ±10° 090
 1.45 +0.05/-0.10 091
 Φ 0.4 (M) A B C AT TOP 092
 Φ 0.2 (M) A B C AT BOTTOM 092A
 45° ±10° 093
 084 R 1.0
 CL OF B



VIEW L

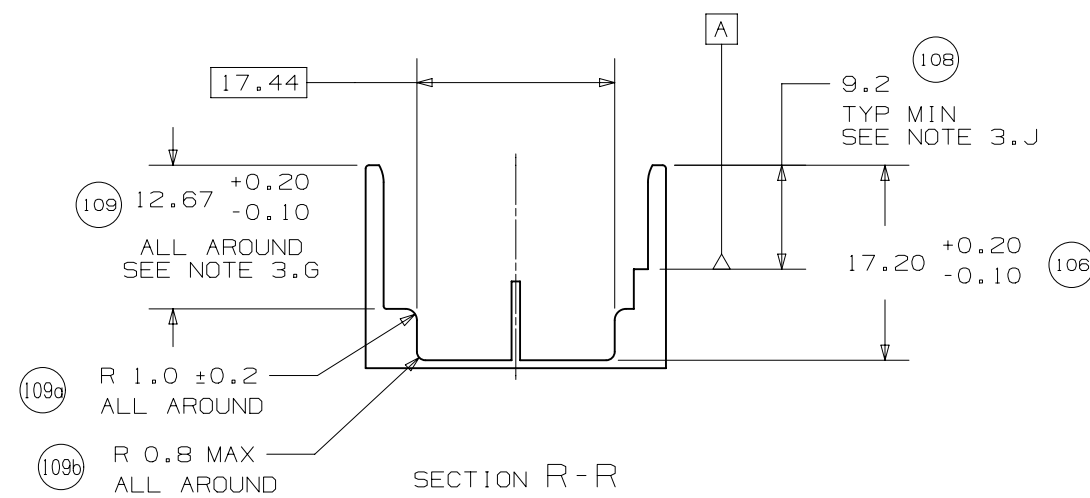
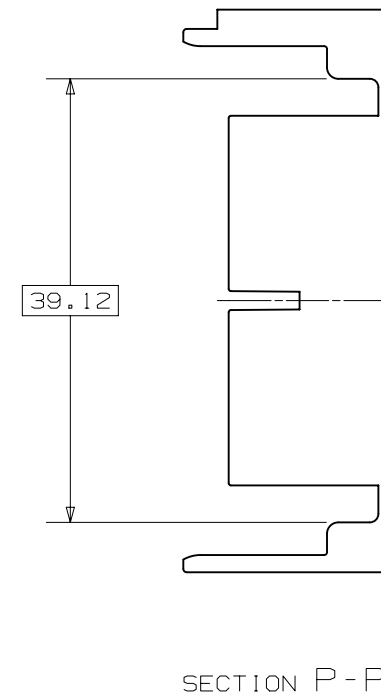
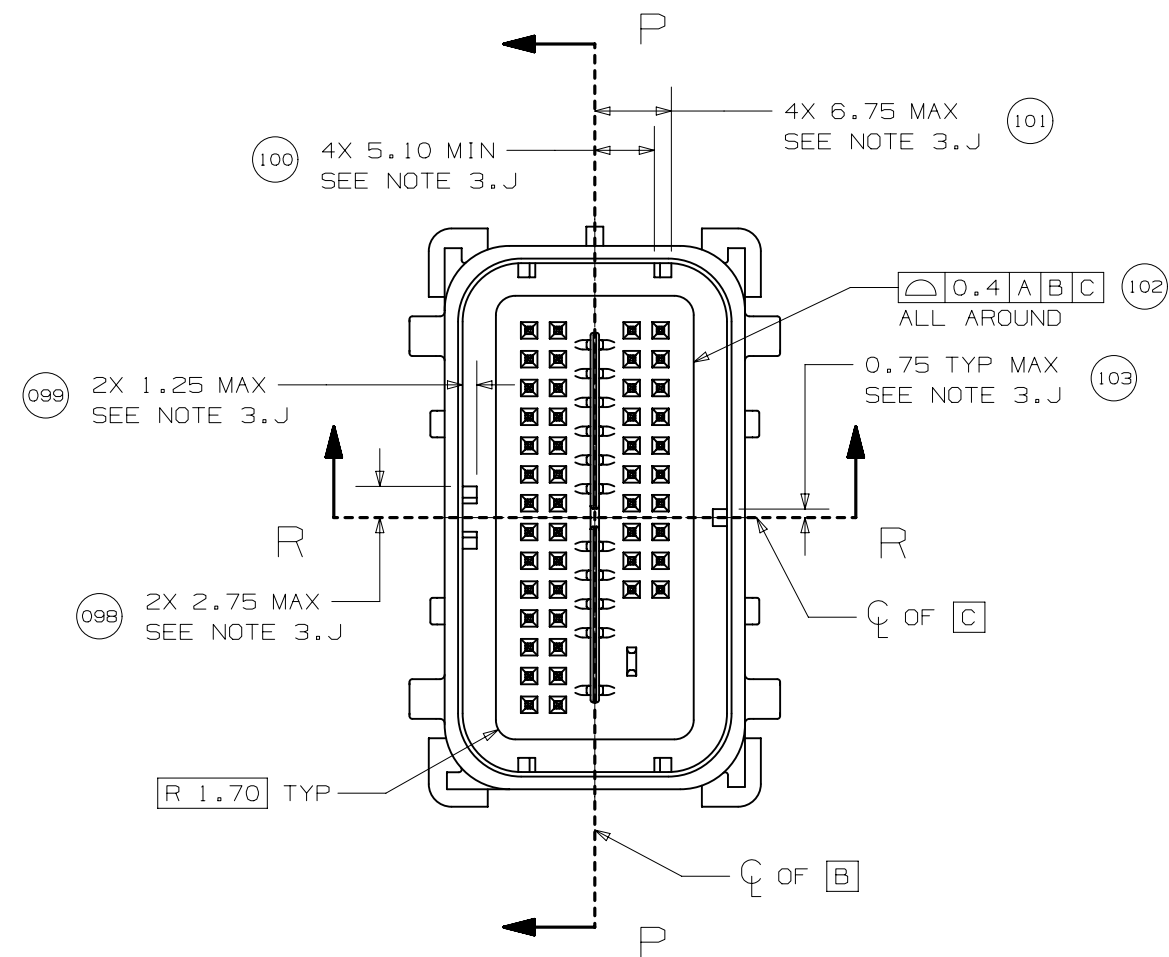
094 R 0.20 TYP

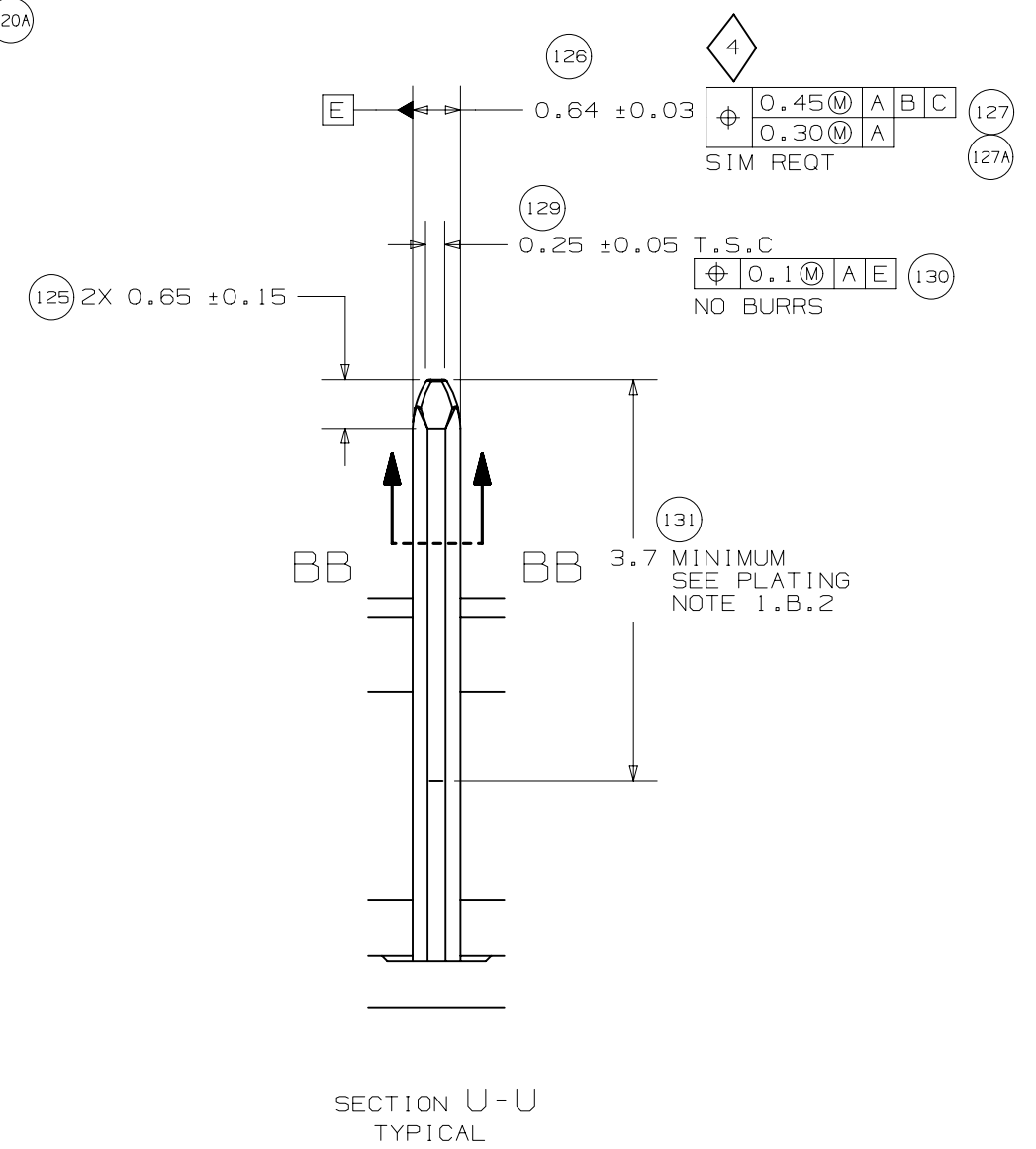
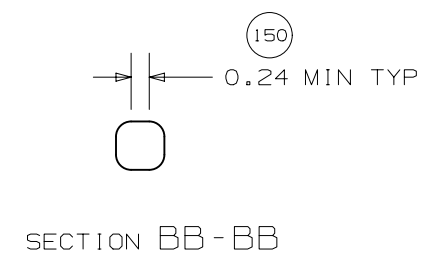
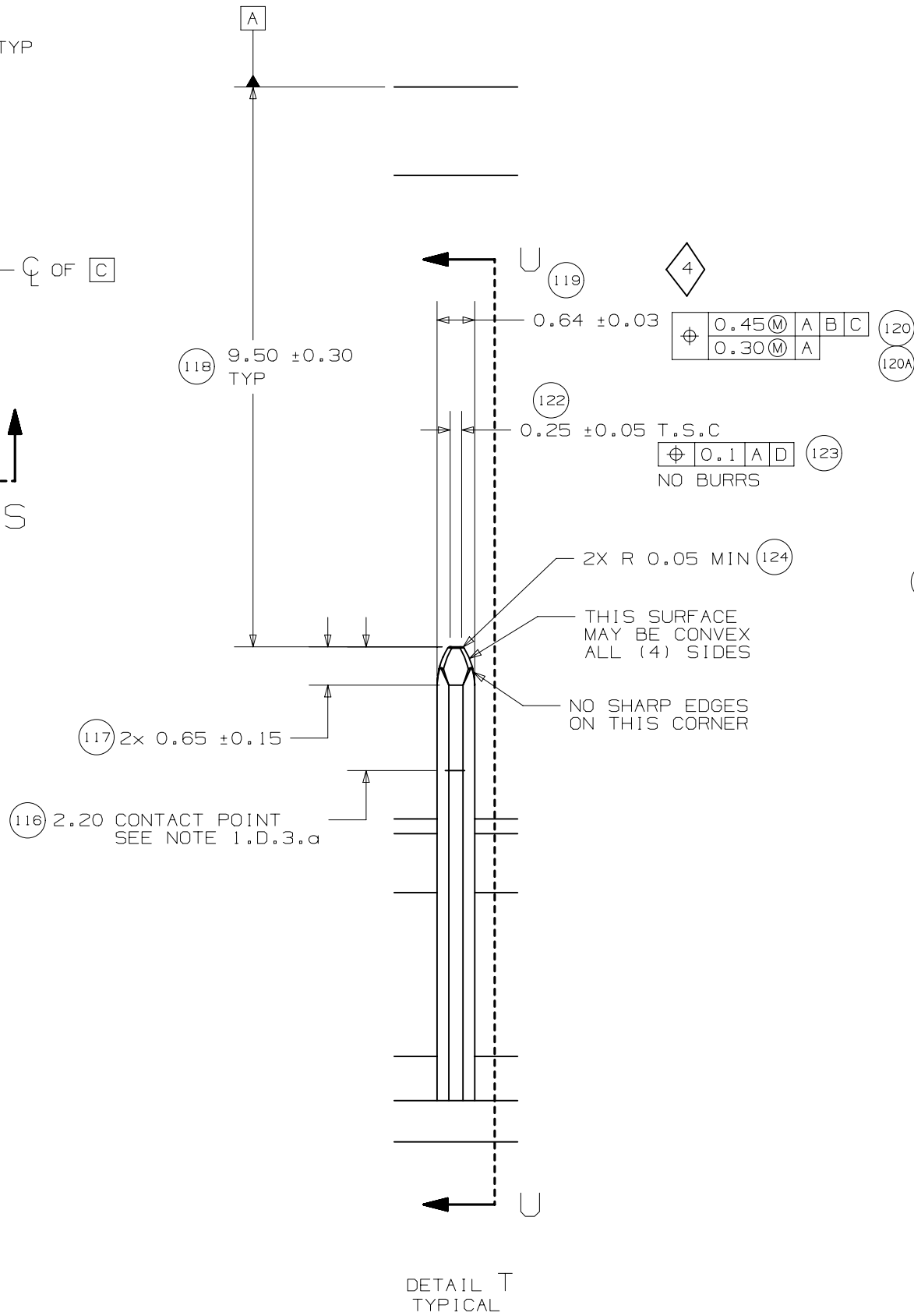
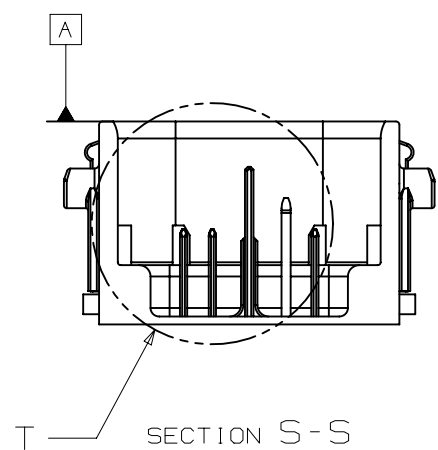
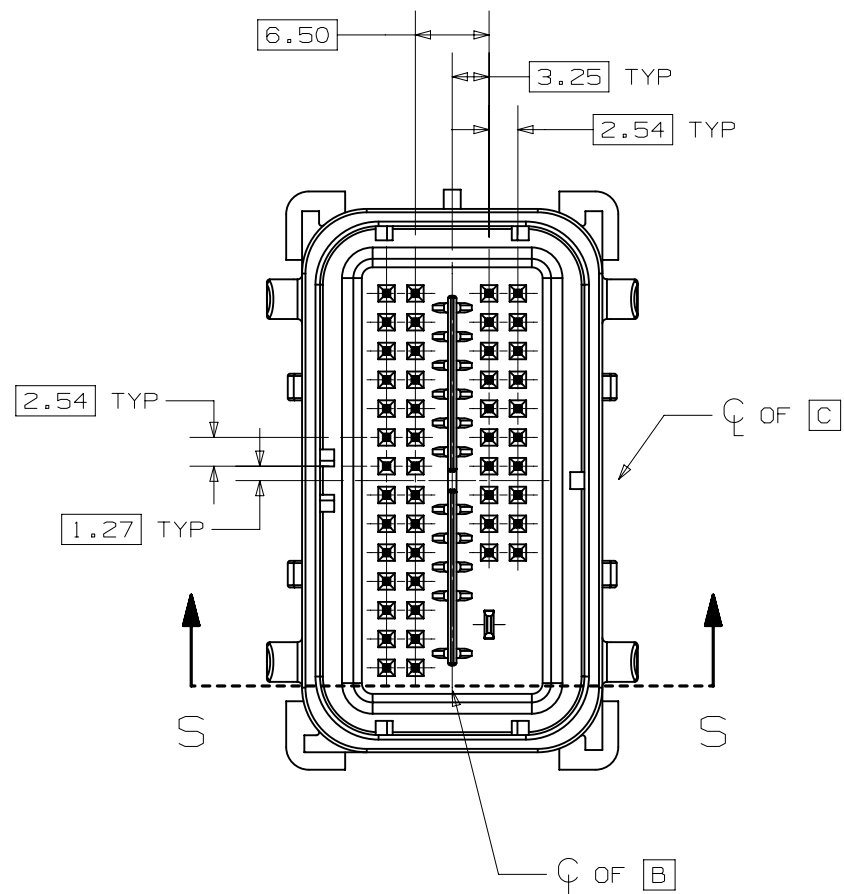


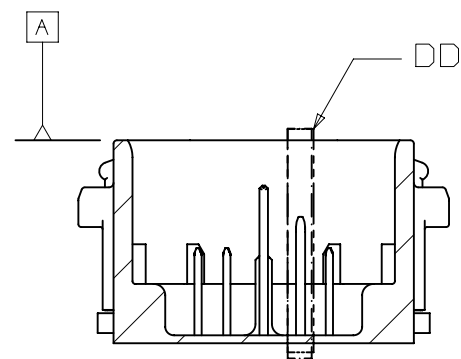
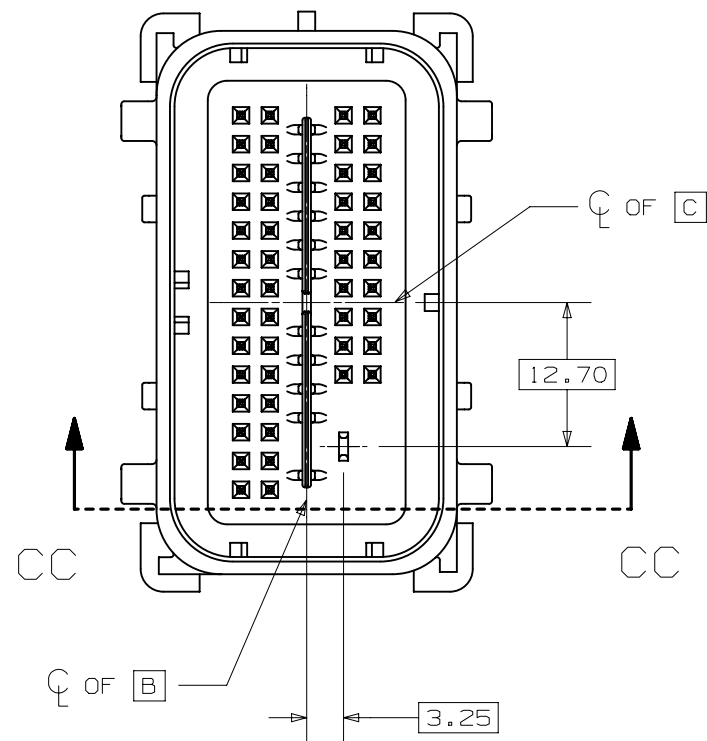
VIEW N

095 0.83 ±0.15 TYP
 096 Φ 0.5 (M) A B C

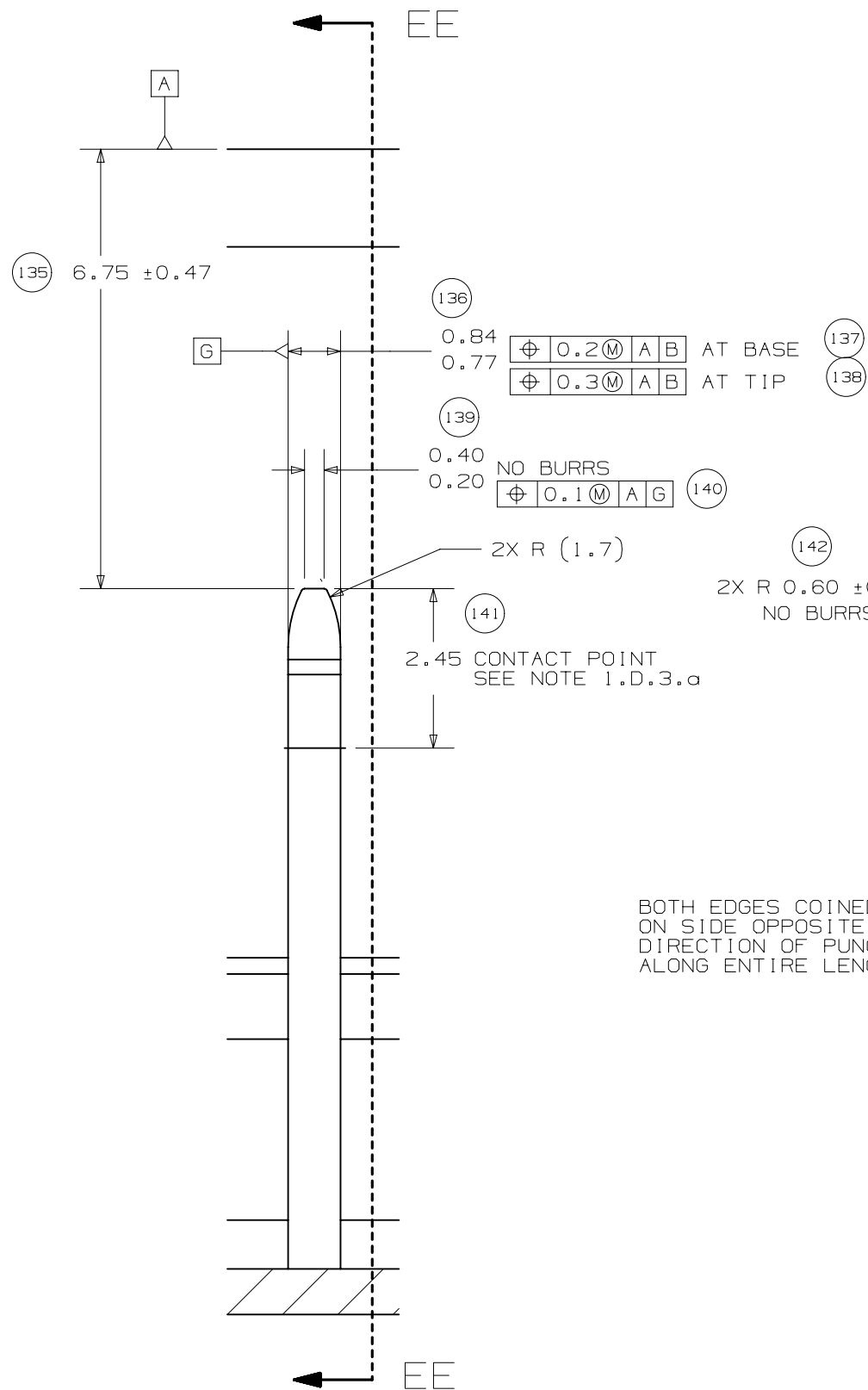




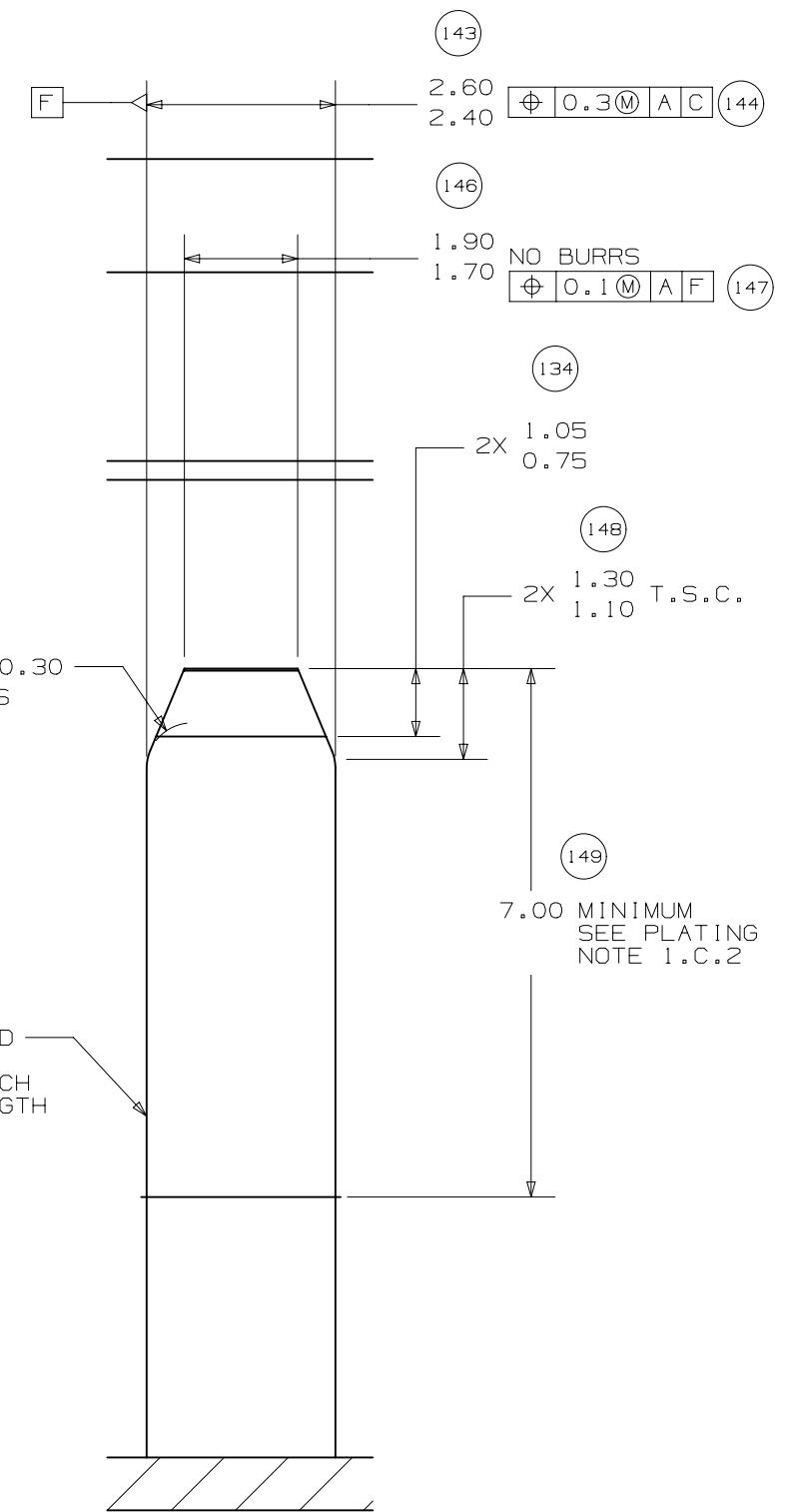




SECTION CC-CC



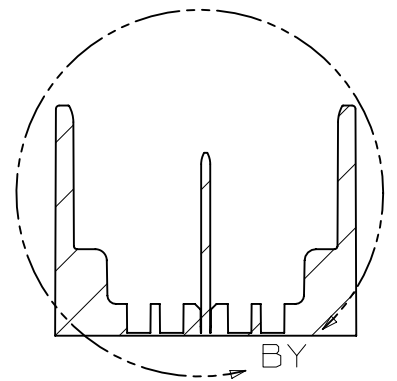
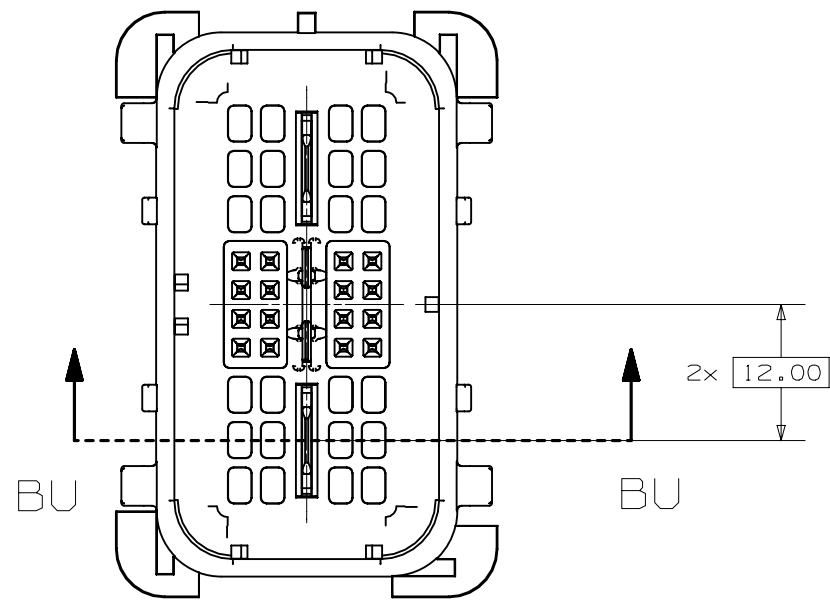
DETAIL DD
TYPICAL



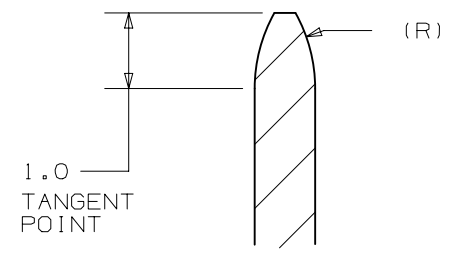
SECTION EE-EE
TYPICAL

BOTH EDGES COINED
ON SIDE OPPOSITE
DIRECTION OF PUNCH
ALONG ENTIRE LENGTH

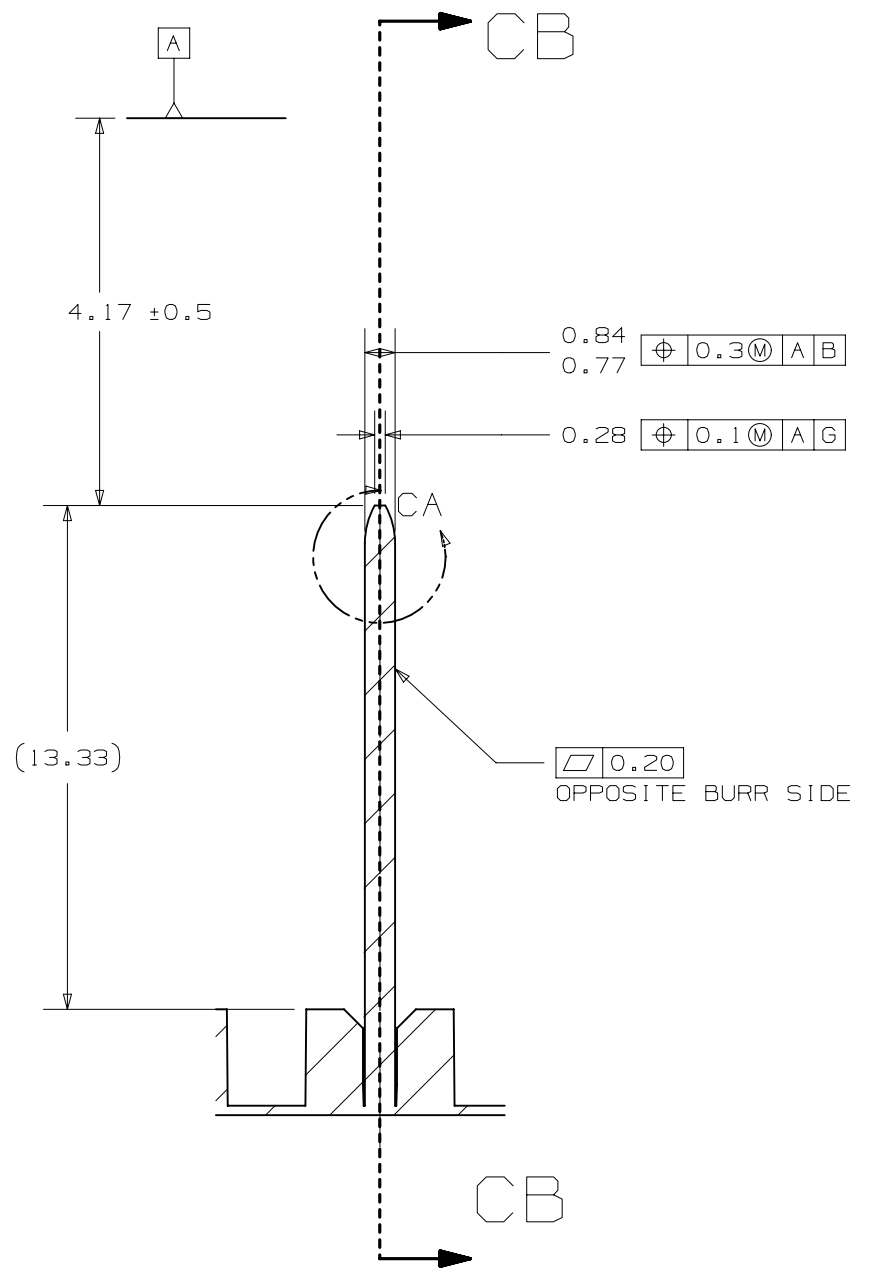




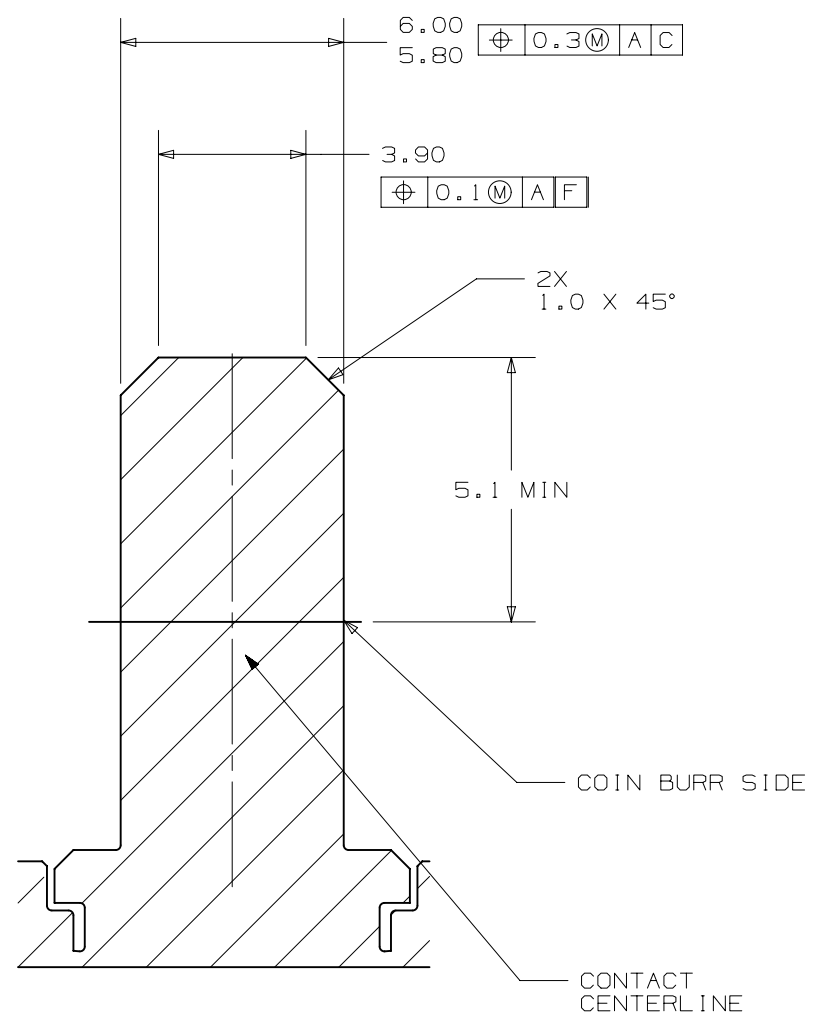
SECTION BU-BU



VIEW CA
SCALE 10:1



VIEW BY
SCALE 5:1



SECTION CB-CB



PAGE TITLE
COMPONENT CONNECTOR INTERFACE

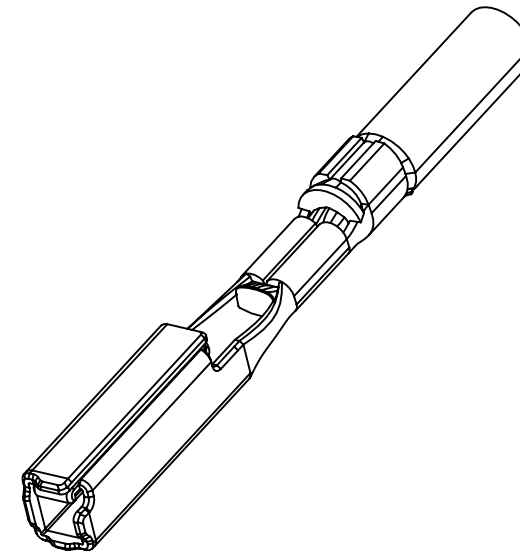
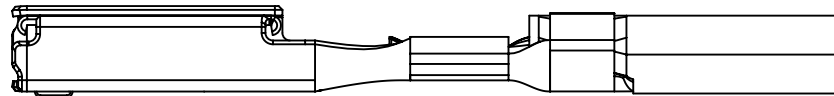
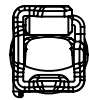
DRAWING NUMBER
12672832

DWG STATUS		
ST	REV	PD1
R	001	

PAGE NUMBER
22 OF 23

MOLEX MX64 RECEPTACLE TERMINAL INFORMATION

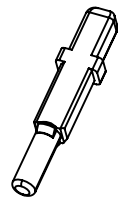
ITEM	MOLEX P/N	GM P/N	WIRE SIZE MM2	TYPE	PLATING	REEL WIND DIRECTION	COMMENTS
1	34736-0025		0.35	ISO	SILVER	LEFT	
2	34736-0026	12672850	0.35	ISO	SILVER	RIGHT	
3	34736-0027		0.5 / 0.75	ISO	SILVER	LEFT	
4	34736-0028	12672851	0.5 / 0.75	ISO	SILVER	RIGHT	



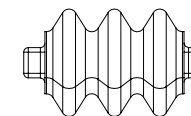
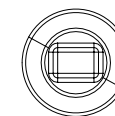
CAVITY PLUGS

ITEM	MFG	MFG P/N	GM P/N RD	SIZE	COLOR	MFG DRAWING	PROD SPEC	APP SPEC	COMMENTS
1	MOLEX	34586-0001	12674820	0.64	NATURAL	SD-34586-001	PS-34566-0000	AS-34566-001	
2	YAZAKI	7158-3114-90	12674821	2.8	BLUE	7158-3114-90	YPES-11-04-062	YPES-15-299	

ITEM 1



ITEM 2



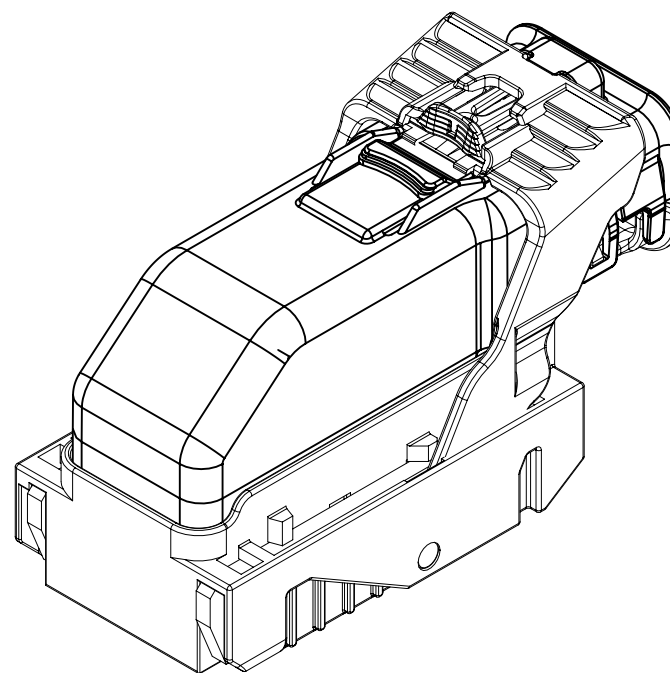
PAGE TITLE
ADDITIONAL COMPONENTS REQUIRED

DRAWING NUMBER
12672832


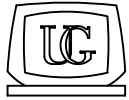
DWG STATUS		
ST	REV	PDI
R	001	

PAGE NUMBER
23 of 23

INDEX	
PAGE TITLE	PAGE
TITLE BLOCK	1
REVISION BLOCK	2
PART BLOCK	3
KPC BLOCK	4
COMPONENT TABLE	5
NOTES	6
NOTES	7
WIRE DRESS PACKAGING DIMENSIONS	8
LOCATION AND PACKAGING DIMENSIONS REFERENCING INTERFACE DATUMS B & C	9
LOCATION AND PACKAGING DIMENSIONS REFERENCING INTERFACE DATUM A	10
KEY ID REF - WIRE DRESS OPTION 0	11
KEY ID REF - WIRE DRESS OPTION 9	12
CIRCUIT CONFIGURATIONS	13
CIRCUIT CONFIGURATIONS	14
COMPONENT CONNECTOR INTERFACE	15
COMPONENT CONNECTOR INTERFACE	16
COMPONENT CONNECTOR INTERFACE	17
COMPONENT CONNECTOR INTERFACE	18
COMPONENT CONNECTOR INTERFACE	19
COMPONENT CONNECTOR INTERFACE	20
COMPONENT CONNECTOR INTERFACE	21
ADDITIONAL COMPONENTS REQUIRED	22




ISO VIEW

	<p>UNLESS OTHERWISE SPECIFIED: THIS DOCUMENT IS IN ACCORDANCE WITH ASME Y14.5M-1994 AS AMMENDED BY THE GM GLOBAL DIMENSIONING AND TOLERANCING ADDENDUM-1997. ALL GEOMETRIC TOLERANCES AND RELATED DATUMS APPLY RFS. RULE #1 (PERFECT FORM AT MMC) DOES NOT APPLY WHEN A RELATIONSHIP BETWEEN FEATURES IS ESTABLISHED BY ORIENTATION OR LOCATION TOLERANCES. SEPARATE POSITION CALLOUTS MAY BE GAGED SEPARATELY REGARDLESS OF DATUM REFERENCES.</p>			DATE	
	 CHANGE RESTRICTED NO MANUAL CHANGES	REFERENCE 12H (MOLEX AUTOMOTIVE)	DRAFTER APVD1 APVD2 APVD3 APVD4 APVD5	05JN15	
DO NOT SCALE		DRAWING NAME HARNESS CONN ASM-SEALED 52/66/73/80 CKTS, MX123			
METRIC DIMENSIONS SHOWN IN MILLIMETERS UNLESS OTHERWISE SPECIFIED					
		DRAWING NUMBER		PAGE NUMBER	
		12672833		1 OF 22	
		DWG STATUS			
		ST	REV	PDI	
		R	001		

PAGE	DWG STATUS					REVISION HISTORY	AUTH	DR	CK	ENG
	DATE	ST	REV	CHG	PDI					
	05JN15	R	001			RELEASED TO PRODUCTION AT DLS A	CRMRJE	DFK		

PAGE	DWG STATUS					REVISION HISTORY	AUTH	DR	CK	ENG
	DATE	ST	REV	CHG	PDI					

	PAGE TITLE	DRAWING NUMBER	DWG STATUS			PAGE NUMBER	
	REVISION BLOCK		12672833	ST	REV		PDI
			R	001			2 OF 22

KEY PRODUCT CHARACTERISTICS
(IN ACCORDANCE WITH QN 1805 OR ON 1050)



SAFETY/COMPLIANCE

TOTAL ON
DRAWING

4



FIT/FUNCTION

LAST NO.
USED

4

NO	TYPE	DESCRIPTION	RATIONALE	PAGE/ZONE
1	F/F	32.68	IMPROVE CONNECTOR SYSTEM MATING	16
2	F/F	29.00	INSURE PROPER RELEASE OF LEVER	16
3	F/F	15.25	INSURE FINAL MATE POSITION	17
4	F/F	POSITIONAL TOLERANCE (2 PLACES)	INSURE CONNECTOR SYSTEM MATEABILITY	20



PAGE TITLE
KPC BLOCK

DRAWING NUMBER

12672833

DWG STATUS

ST	REV	PDI
----	-----	-----

R	001	
---	-----	--

PAGE NUMBER

4 OF 22

LINE	MFG.	MFG. P/N	GM P/N	EFFECTIVE DATE	APPLICABLE COMPONENTS	KEY OPTION	WIRE DRESS OPTION	KEY CONFIG.	COLOR	STATUS
					DESCRIPTION					
-										
1	MOLEX	34565-0003	12582676	02JN03	MX123 DRESS COVER 52/66/73/80 CKT	N/A	N/A	N/A	BLACK	AVAILABLE
2	MOLEX	160094-0001	12672852	01SP13	MX123 HRNS CONN ASSY 52 CKT	A	0	1458	BLACK	AVAILABLE
3	MOLEX	160094-0003	12672854	01SP13	MX123 HRNS CONN ASSY 52 CKT	C	0	2467	BLUE	AVAILABLE
4	MOLEX	160094-0013	12672853	01SP13	MX123 HRNS CONN ASSY 52 CKT	A	9	1458	BLACK	AVAILABLE
5	MOLEX	160094-0015	12672855	01SP13	MX123 HRNS CONN ASSY 52 CKT	C	9	2467	BLUE	AVAILABLE
6	MOLEX	34822-0013	12672856	01SP13	MX123 HRNS CONN ASSY 66 CKT	A	0	1458	BLACK	AVAILABLE
7	MOLEX	34822-0033	12672858	01SP13	MX123 HRNS CONN ASSY 66 CKT	C	0	2467	BLUE	AVAILABLE
8	MOLEX	34822-0023	12672857	01SP13	MX123 HRNS CONN ASSY 66 CKT	A	9	1458	BLACK	AVAILABLE
9	MOLEX	34822-0043	12672859	01SP13	MX123 HRNS CONN ASSY 66 CKT	C	9	2467	BLUE	AVAILABLE
10	MOLEX	34566-0103	12672860	11JN04	MX123 HRNS CONN ASSY 73 CKT	A	0	1458	BLACK	AVAILABLE
11	MOLEX	34566-0203	12672862	11JN04	MX123 HRNS CONN ASSY 73 CKT	B	0	1468	ST GRAY	AVAILABLE
12	MOLEX	34566-0303	12672864	09AP08	MX123 HRNS CONN ASSY 73 CKT	C	0	2467	BLUE	AVAILABLE
13	MOLEX	34566-0603	12672866	05DC14	MX123 HRNS CONN ASSY 73 CKT	F	0	1357	NATURAL	AVAILABLE
14	MOLEX	34566-1303	12672861	11JN04	MX123 HRNS CONN ASSY 73 CKT	A	9	1458	BLACK	AVAILABLE
15	MOLEX	34566-1403	12672863	11JN04	MX123 HRNS CONN ASSY 73 CKT	B	9	1468	ST GRAY	AVAILABLE
16	MOLEX	34566-1503	12672865	09AP08	MX123 HRNS CONN ASSY 73 CKT	C	9	2467	BLUE	AVAILABLE
17	MOLEX	34566-1803	12672867	05DC14	MX123 HRNS CONN ASSY 73 CKT	F	9	1357	NATURAL	AVAILABLE
18	MOLEX	34566-0703	12672872	09AP08	MX123 HRNS CONN ASSY 80 CKT	G	0	1358	BLUE	AVAILABLE
19	MOLEX	34566-0803	12672870	11JN04	MX123 HRNS CONN ASSY 80 CKT	H	0	2458	ST GRAY	AVAILABLE
20	MOLEX	34566-0903	12672868	T.B.D	MX123 HRNS CONN ASSY 80 CKT	J	0	2457	BLACK	NOT ACTIVE
21	MOLEX	34566-1903	12672873	09AP08	MX123 HRNS CONN ASSY 80 CKT	G	9	1358	BLUE	AVAILABLE
22	MOLEX	34566-2003	12672871	11JN04	MX123 HRNS CONN ASSY 80 CKT	H	9	2458	ST GRAY	AVAILABLE
23	MOLEX	34566-2103	12672869	T.B.D	MX123 HRNS CONN ASSY 80 CKT	J	9	2457	BLACK	NOT ACTIVE
24	MOLEX	34736-0028	12672851	01AU10	MX64 RCPT TERM Ag 0.5mm/0.75mm ISO GAGE B (RIGHT PAYOFF)	N/A	N/A	N/A	N/A	AVAILABLE
25	MOLEX	34736-0026	12672850	01AU10	MX64 RCPT TERM Ag 0.35mm ISO GAGE B (RIGHT PAYOFF)	N/A	N/A	N/A	N/A	AVAILABLE
26	MOLEX	34586-0001	12674820	11JN04	MX123 0.64mm GROMMET PLUG	N/A	N/A	N/A	NATURAL	AVAILABLE
27	YAZAKI	7116-4150-02	12588066	02JN03	2.8mm YESC SEALED FEMALE TERMINAL TIN 0.35mm2-0.50mm2	N/A	N/A	N/A	N/A	NOT ACTIVE
28	YAZAKI	7116-4151-02	12588067	02JN03	2.8mm YESC SEALED FEMALE TERMINAL TIN 0.75mm2-1.0mm2	N/A	N/A	N/A	N/A	NOT ACTIVE
29	YAZAKI	7116-4152-02	12582685	02JN03	2.8mm YESC SEALED FEMALE TERMINAL TIN 1.5mm2-2.5mm2	N/A	N/A	N/A	N/A	AVAILABLE
30	YAZAKI	7158-3111-60	12588068	02JN03	2.8mm CABLE SEAL (wire O.D. range 1.2mm-1.9mm)	N/A	N/A	N/A	GREEN	NOT ACTIVE
31	YAZAKI	7158-3112-70	12588069	02JN03	2.8mm CABLE SEAL (wire O.D. range 1.8mm-2.3mm)	N/A	N/A	N/A	YELLOW	NOT ACTIVE
32	YAZAKI	7158-3113-40	12582686	02JN03	2.8mm CABLE SEAL (wire O.D. range 2.1mm-3.0mm)	N/A	N/A	N/A	WHITE	AVAILABLE
33	YAZAKI	7158-3114-90	12674821	02JN03	2.8mm YESC CAVITY PLUG	N/A	N/A	N/A	BLUE	AVAILABLE
34	MOLEX	63825-8400	N/A	02JN03	MX64 TERM HAND CRIMP TOOL	N/A	N/A	N/A	N/A	AVAILABLE
35	MOLEX	63813-1400	XX019826	02JN03	MX64 TERM SERVICE TOOL	N/A	N/A	N/A	N/A	AVAILABLE
36	MOLEX	63902-5300	N/A	02JN03	MX64 CRIMP APPLICATOR with TOOL KIT 0.5/0.75mm2 PAYOFF DIRECTION D (left payoff) (contact Molex for payoff detail)	N/A	N/A	N/A	N/A	AVAILABLE
37	MOLEX	63902-5370	N/A	02JN03	MX64 APPLICATOR TOOL KIT 0.5/0.75mm2	N/A	N/A	N/A	N/A	AVAILABLE
38	MOLEX	63902-5100	N/A	02JN03	MX64 CRIMP APPLICATOR with TOOL KIT 0.35mm2 PAYOFF DIRECTION D (left payoff) (contact Molex for payoff detail)	N/A	N/A	N/A	N/A	AVAILABLE
39	MOLEX	63902-5170	N/A	02JN03	MX64 APPLICATOR TOOL KIT 0.35mm2	N/A	N/A	N/A	N/A	AVAILABLE
40	SPX	J35616-64	T.B.D.	02JN03	0.64mm PROBE TOOL (for rcpt)	N/A	N/A	N/A	N/A	AVAILABLE
41	SPX	J35616-64A	T.B.D.	02JN03	0.64mm PROBE TOOL WITH EXT (for rcpt)	N/A	N/A	N/A	N/A	AVAILABLE
42	SPX	J35616-65	T.B.D.	02JN03	0.64mm PROBE TOOL WITH EXT (for pin)	N/A	N/A	N/A	N/A	AVAILABLE
43	SPX	J35616-4A	T.B.D.	02JN03	2.8mm PROBE TOOL (for rcpt)	N/A	N/A	N/A	N/A	AVAILABLE
44	YAZAKI	X39899-J374	12094430	02JN03	2.8mm TERM SERVICE TOOL	N/A	N/A	N/A	N/A	AVAILABLE
45	TQI	7000-1006	N/A	15JN15	52 CKT PASS THROUGH ADAPTERS	N/A	N/A	N/A	BLACK	AVAILABLE
46	TQI	7000-1002	N/A	15JN15	66 CKT PASS THROUGH ADAPTERS	N/A	N/A	N/A	BLACK	AVAILABLE
47	TQI	79917-0061	N/A	15JN15	73 CKT PASS THROUGH ADAPTERS	N/A	N/A	N/A	BLACK	AVAILABLE
48	TQI	79917-0066	N/A	15JN15	80 CKT PASS THROUGH ADAPTERS	N/A	N/A	N/A	BLACK	AVAILABLE

* - MX123 DRESS COVER 52/66/73/80 CKT MATES TO ANY MX123 HARN CONN ASSY SHOWN ON TABLE ABOVE



PAGE TITLE
COMPONENT TABLE

DRAWING NUMBER

12672833

DWG STATUS

ST REV PDI

R 001

PAGE NUMBER

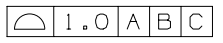
5 OF 22

NOTES: UNLESS OTHERWISE SPECIFIED

1. MATERIAL FOR INTERFACE:


- A. RESIN:
 - 1. 30% G.F. PBT; 20% MAX. (BY WEIGHT) REGRIND.
 - 2. MATING CONNECTOR INTERFACE PART COLOR MUST BE SAME AS MATCHING KEYED HARNESS CONNECTOR ASSEMBLY.
 - 3. MUST BE VALIDATED FOR INDIVIDUAL DEVICE APPLICATION REQUIREMENTS.
- B. 0.64MM PINS:
 - 1. BASE MATERIAL: COPPER ALLOY; CONDUCTIVITY >= 28% IACS AT 20°C; TENSILE STRENGTH >= 635 N/mm²; SURFACE ROUGHNESS R_a 6 MAX.
 - 2. PLATING FINISH: SILVER (Ag). PLATING TO BE 1.9-3.3 μm ELECTRODEPOSITED SEMI-BRIGHT SILVER OVER 1.25-2.25 μm DUCTILE SULPHAMATE NICKEL PER NOTE 1(D).
 - 3. ANTI-TARNISH: SYNTHETIC HYDROCARBON CONTACT SURFACE FINISH OR EQUIVALENT APPLIED WITHOUT VOID TO CONTACT AREA (MIN 3.7mm FROM PIN TIP).
- C. 2.8MM BLADE:
 - 1. BASE MATERIAL: COPPER ALLOY; CONDUCTIVITY >= 28% IACS AT 20°C; TENSILE STRENGTH >= 350 N/mm²; SURFACE ROUGHNESS R_a 6 MAX.
 - 2. PLATING FINISH: TIN. PLATING TO BE 2.5-5.0 μm ELECTRODEPOSITED TIN, MATTE FINISH OVER 1.25-2.5 μm DUCTILE SULPHAMATE NICKEL PER NOTE 1(D).
- D. PLATING REQUIREMENTS:
 - 1. SILVER PLATING
 - a. 99.5% PURE SEMI-BRIGHT WITH NO ORGANIC BRIGHTNERS OR CHROMATES.
 - 2. NICKEL PLATING
 - a. ELECTRODEPOSITED DUCTILE SULFAMATE NICKEL WITH A NON-BRIGHTENED FINISH. NO ORGANIC OR BRIGHTENING AGENTS SHALL BE ALLOWED.
 - b. SHALL ONLY BE USED AS AN UNDERLYING PLATING AND MAY NOT BE USED AS AN ELECTRICAL CONTACT SURFACE PLATING.
 - c. SHALL BE NODULE FREE WHEN VIEWED AT 10X MAGNIFICATION IN MEASURED IN CONTACT SURFACE AREA PLUS 0.5MM PERIMETER AROUND THE CONTACT SURFACE AREA.
 - d. ALL PLATINGS SHALL HAVE A 1.0% MAXIMUM BY WEIGHT IMPURITIES. IMPURITIES ARE DEFINED AS ALL ELEMENTS NOT THE PRIMARY PLATING OR HARDENING AGENT IF APPLICABLE, AS DETERMINED BY WET CHEMICAL ANALYSIS OR AUGER METHOD. NO SINGLE IMPURITY SHALL EXCEED 0.1% MAXIMUM BY WEIGHT.
 - 3. TESTING
 - a. THICKNESS TO BE MEASURED IN CONTACT SURFACE AREA PLUS 0.5MM PERIMETER AROUND THE CONTACT SURFACE AREA AS DESIGNATED IN THE DRAWING. THICKNESS SHALL BE DETERMINED BY METHOD OF X-RAY (XRF).
 - b. PLATING ADHESION SHALL BE TESTED BY A BEND TEST FOR ALL METALS. THE TEST SAMPLE SHALL BE BENT 90 DEGREES TO DETERMINE DEPOSIT ADHESION. TESTING SHALL BE COMPLETED IN ACCORDANCE WITH ASTM SPEC B571.

2. DESIGN - GENERAL:

- A. THIS IS A 100% CAD GENERATED PART. THE CAD MATHEMATICAL DATA IS THE MASTER FOR THIS PART. FOR DIMENSIONAL OR ANY INFORMATION NOT SHOWN ON THIS DRAWING, ANALYZE THE CAD MODEL.
- B. TOLERANCES:
 - 1. LINEAR
 - 0.X ± 0.30
 - 0.XX ± 0.10
 - 0.XXX ± 0.10
 - 2. ANGULAR X° ± 3°
 - 3. 
- C. MINIMUM WALL THICKNESS REQUIRED: 1.3mm.
- D. CORNERS SHOWN AS SHARP TO BE R 0.2 MAX.
- E. LETTERING SHALL BE 0.15 MAX RAISED IN 0.20 MAX RECESS PAD. THIS INCLUDES MATERIAL CODE, RECYCLING CODE, CAVITY ID AND DATE CODE.
- F-1. PARTS MUST BE FREE OF DISCOLORATION, SALT RESIDUE AND OTHER IMPERFECTIONS THAT AFFECT FIT OR FUNCTION.
- F-2. SCRATCHES OR DENTS NOT TO EXCEED 0.013mm IN DEPTH.
- G. FOLLOWING PRODUCTION CODES TO BE PERMANENTLY MARKED & HUMAN READABLE TO A LETTER HEIGHT OF 1.5 ± 0.5MM X 0.3 MAX DEEP
 - 1. MATERIAL #: XXXXX-XXXX
 - 2. DATE CODE: JJYY (JULIAN DAY, LAST DIGIT OF YEAR)
 - 3. INSPECTION MACHINE CODE + SERIAL #: X_XXXXX

3. DESIGN - MANUFACTURING:

- A. DRAFT TO BE WITHIN TOLERANCE.
- B. ALLOWABLE FLASH MAX 0.2 HIGH X MAX 0.13 THICK.
- C. ALLOWABLE PARTING LINE MISMATCH 0.2 MAX.
- D. EJECTOR PINS MARK TO BE FLUSH TO 0.25 MAX DEPRESSED.
- E. ALLOWABLE GATE VESTIGE FLUSH TO 0.25 MAX PROTRUSION.
- F. NO EXTERNAL MOLD RELEASE AGENT ALLOWED DURING MANUFACTURING.
- G. STEEL THAT FORMS THE INDICATED SURFACE MUST BE POLISHED WITH A DIAMOND FINISH (SPI A-2) OVER THE FULL PERIPHERY OF THE TOOL. SURFACE MUST HAVE NO MISMATCH.
- H. ANY PROCESS LUBRICANT REMAINING ON THE TERMINAL MUST NOT VARNISH OR DEGRADE IT'S ELECTRICAL PERFORMANCE UP TO A MAXIMUM CLASS AMBIENT TEMPERATURE PER SAE USCAR-2 FOR 1008 HOURS. PROCESS LUBRICANTS SHOULD BE APPROVED BY THE RESPONSIBLE ENGINEER.
- J. OPTIONAL FEATURES PROVIDED FOR AUTOMATION.
- K. PART MUST BE FREE FROM BURRS AND SHARP EDGES, WHICH MIGHT BE DETRIMENTAL TO SATISFACTORY ASSEMBLY, SAFE HANDLING OR FUNCTION OF PART.
- L. PARTS AS DELIVERED TO ASSEMBLY SHALL BE CLEAN AND FREE OF DEBRIS, RESIDUAL ABRASIVE MATERIAL AND CORROSION PRODUCTS ADVERESLY AFFECTING FUNCTION OR APPEARENCE.
- M. RESTRICTED AND REPORTABLE SUBSTANCES FOR PARTS PER GMW3059.

	PAGE TITLE	DRAWING NUMBER	DWG STATUS			PAGE NUMBER	
	NOTES		12672833	ST	REV	PDI	6 OF 22
				R	001		

NOTES: UNLESS OTHERWISE SPECIFIED

4. SYSTEM REQUIREMENTS:

- A. HARNESS CONNECTOR IS COMPATIBLE WITH THE FOLLOWING ISO WIRE SIZE NO'S:
 0.35mm², MEETING GMW15626 - MIN OD OF 1.30MM
 0.50mm², MEETING GMW15626
 0.75mm², MEETING GMW15626 - MAX OD OF 2.06MM

B. CABLE TIE SPECIFICATIONS:

1. CABLE TIE:
 - TENSILE RATING: 220N / (50lbs) MIN
 - TIE LENGTH: 186mm MIN
 - TIE WIDTH: 4.75mm MAX
 - MATERIAL: NYLON
2. INSTALLATION:
 - CABLE TIE TENSION: 190N MIN
3. DRESSED WIRE BUNDLE PACKAGING: SEE FIG. 1

C. WHEN MATED WITH COMPONENT CONNECTOR INTERFACE AND/OR DRESS COVER, HARNESS CONNECTOR SYSTEM CONFORMS TO THE FOLLOWING:

1. SAE/USCAR-2, REV: 3 APRIL, 2001; CLASS 3
2. FIELD CORRELATED LIFE TEST, SAE/USCAR-20, NOV. 2001
3. GMW #3191 AUGUST 22, 2000 (DRAFT); TEMPERATURE CLASS 3, SEALING CLASS 1, VIBRATION CLASS 2
4. RESTRICTED AND REPORTABLE CHEMICALS PER GMW #3059, REV: D AUGUST 2002
5. TPA USER FORCES (FULLY POPULATED WITH TERMINALS)
 - a. REMOVAL FROM LOCK TO PRE-SET: <=120N

D. WIRE SPECIFICATIONS:

1. WIRE SURFACE MUST BE FREE OF SCRATCHES, GROOVES OR DENTS WHERE FUNCTIONAL

5. TERMINAL CURRENT RATINGS:

A. MX64 RCPT TERM

ALL TESTING DONE IN ACCORDANCE WITH USCAR-2 REV5 SECTION 5.3

1. MX64 RCPT TERM Ag 0.50/0.75mm² CRIMPED TO 0.75mm² ISO WIRE AND MATED TO MX123 0.64MM PIN: SEE TABLE BELOW
2. MX64 RCPT TERM Ag 0.35mm² CRIMPED TO 0.35mm² ISO WIRE AND MATED TO MX123 0.64MM PIN: SEE TABLE BELOW

WIRE	CURRENT RATING			
	23°C	85°C	105°C	125°C
0.75mm ²	11.3A	11.3A	9.5A	6.6A
0.50mm ²	10.0A	10.0A	8.3A	5.7A
0.35mm ²	8.5A	8.5A	7.1A	5.0A

B. 2.8MM RCPT TERM

ALL TESTING DONE IN ACCORDANCE WITH MOLEX DVP&R 0279 (TR # 7125)

1. 2.8MM RCPT TERM TIN 2.0mm² CRIMPED TO 2.0mm² ISO WIRE AND MATED TO MX123 2.8MM BLADE: 25.6 AMPS AT 125°C

6. CONTACT MOLEX AUTOMOTIVE FOR AVAILABLE CUSTOM PATTERNS OF CAVITIES OPEN FOR CIRCUITS - SEE GM DRAWING 13507496



PAGE TITLE
NOTES

DRAWING NUMBER

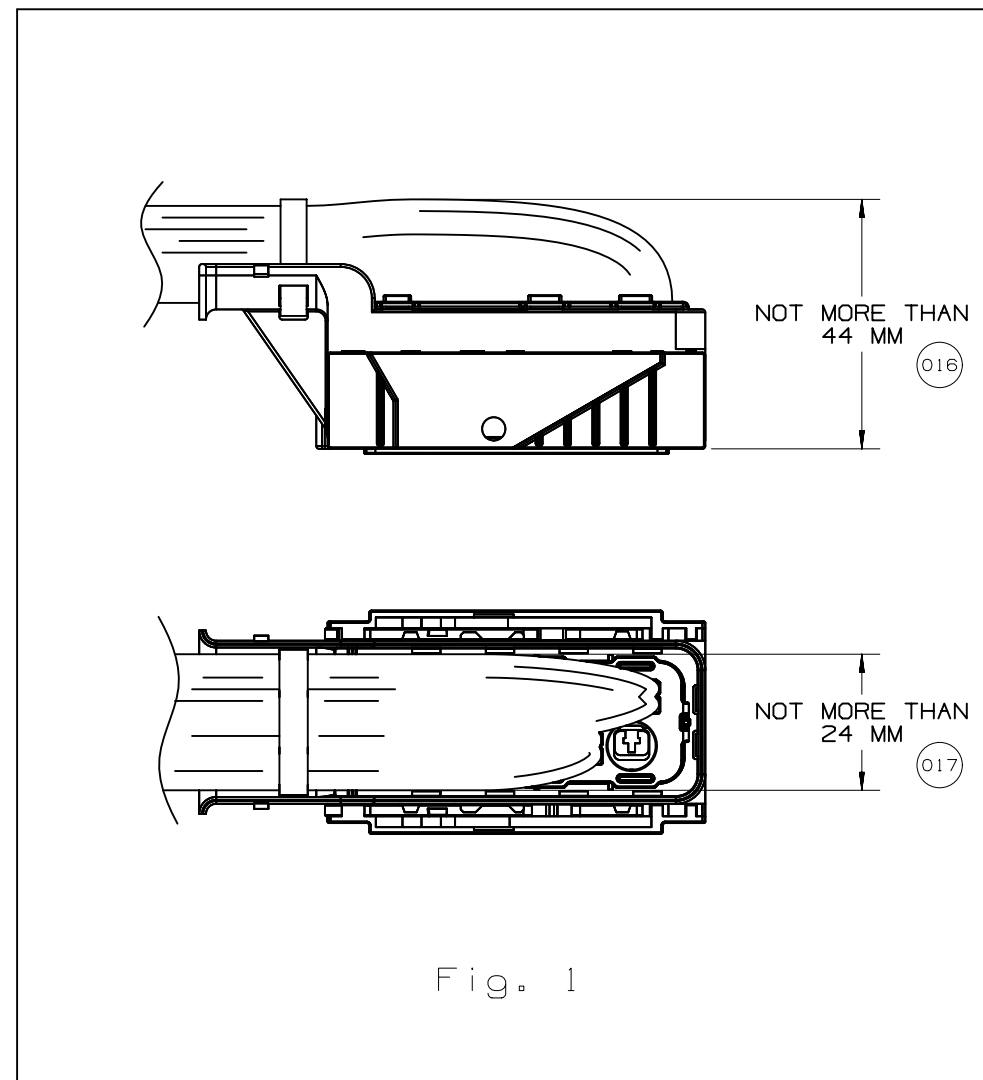
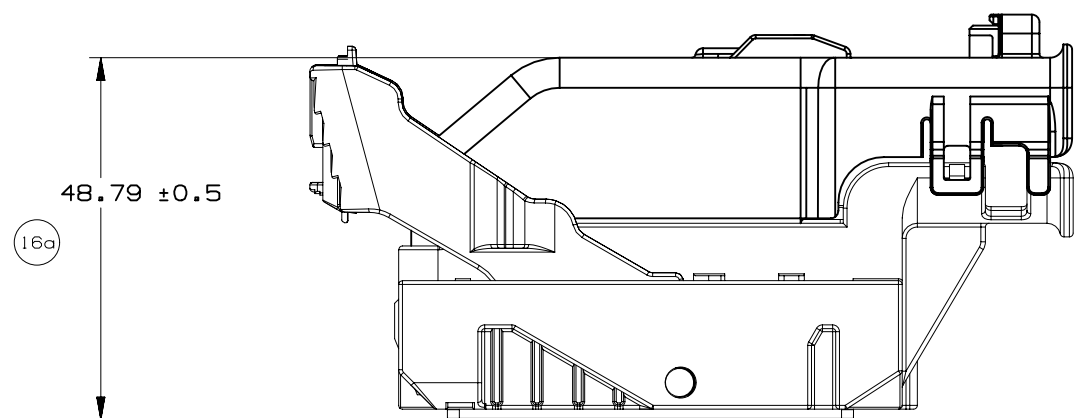
12672833

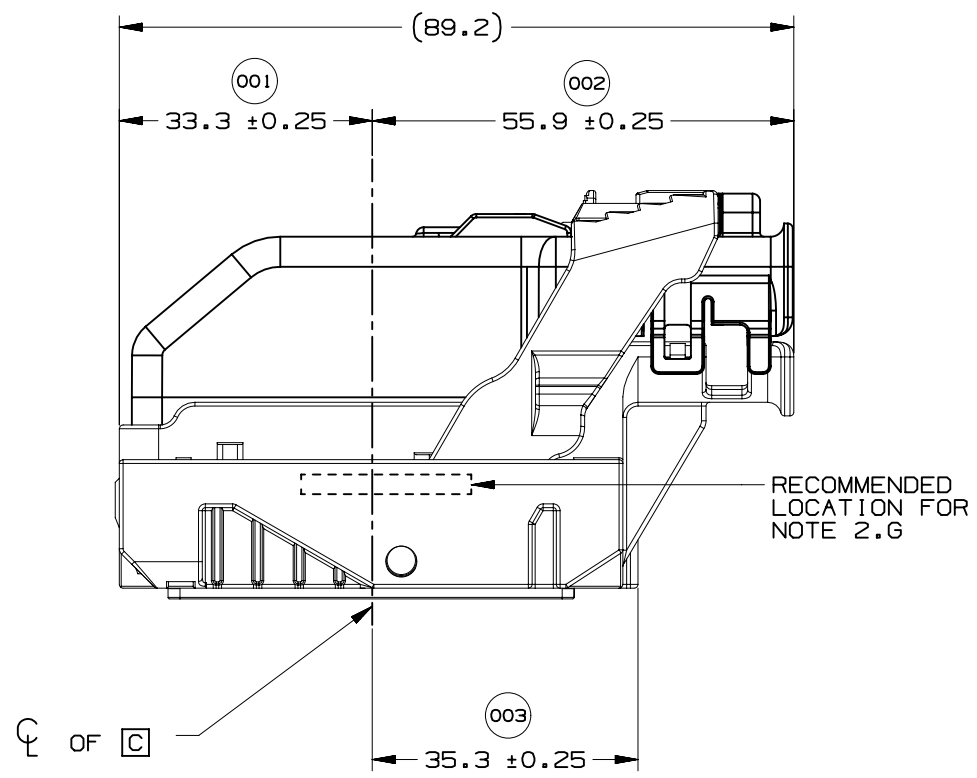
DWG STATUS

ST	REV	PDI
R	001	

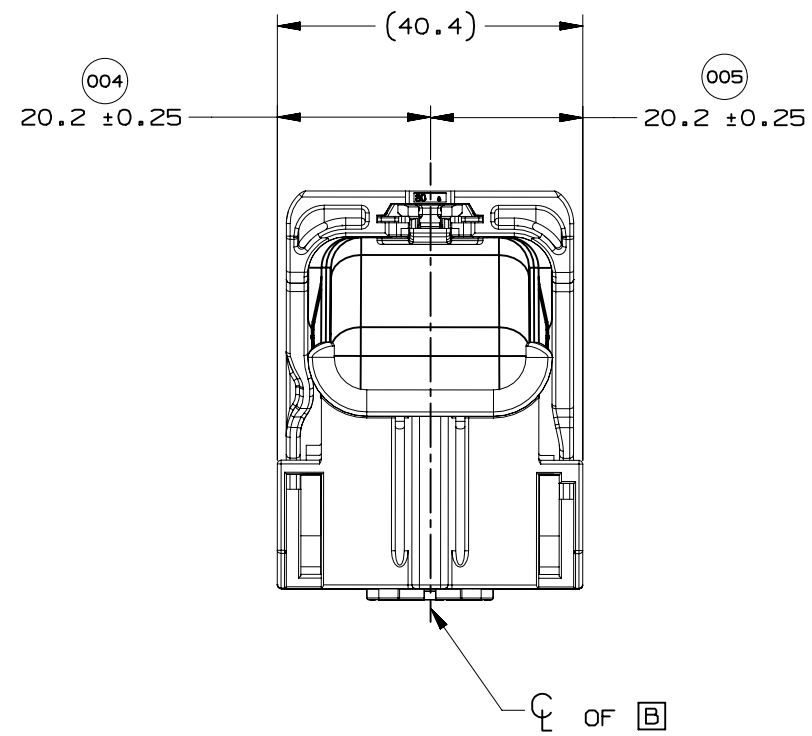
PAGE NUMBER

7 OF 22

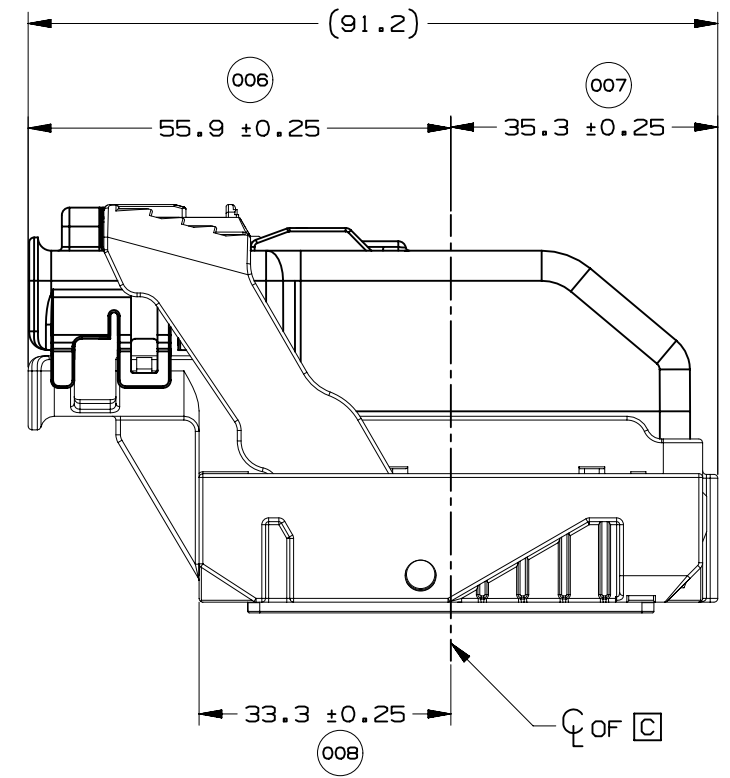




WIRE DRESS OPTION 0 SHOWN

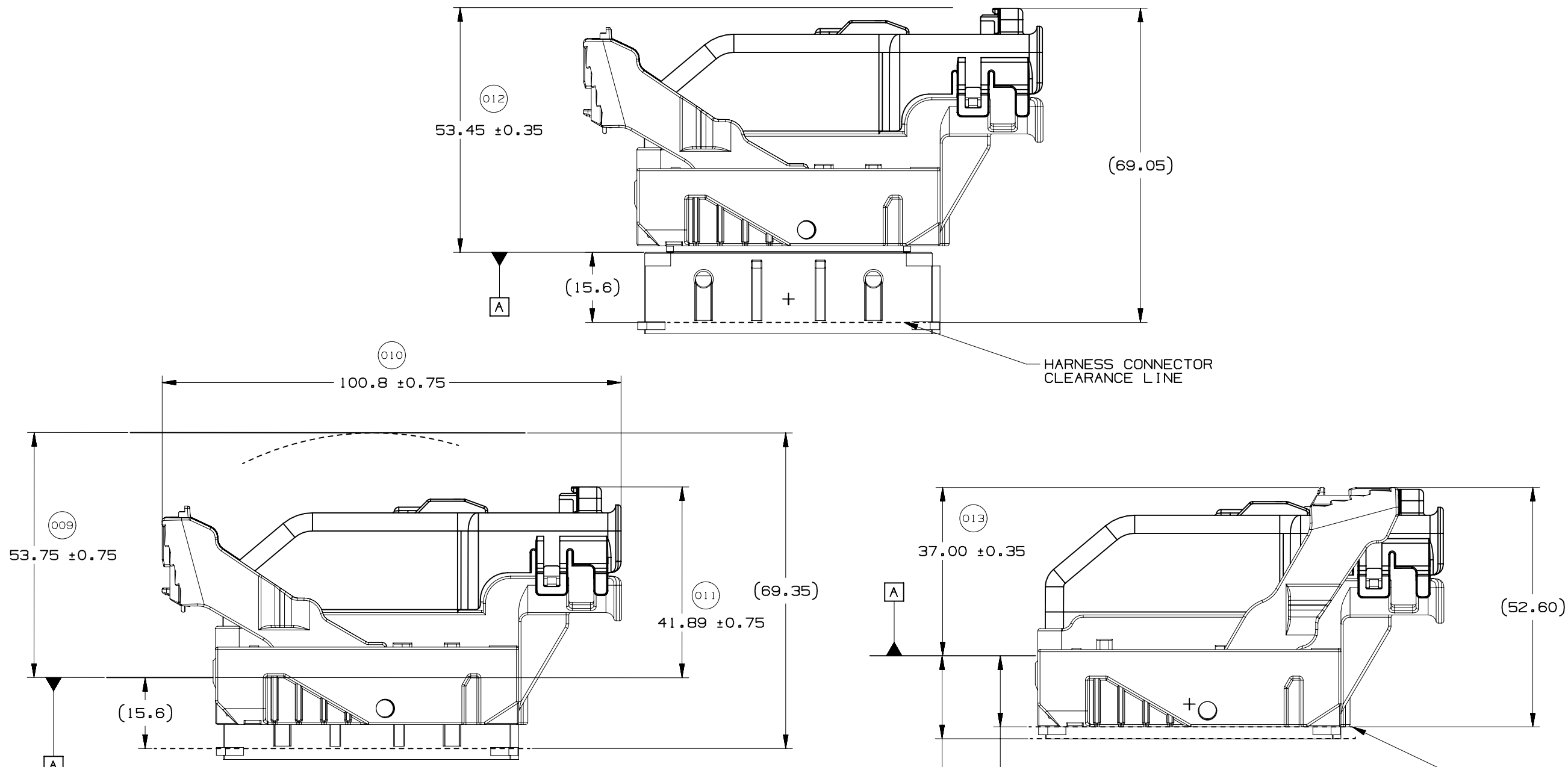


WIRE DRESS OPTION 0 SHOWN



WIRE DRESS OPTION 9 SHOWN





HARNESS CONNECTOR CLEARANCE LINE

HARNESS CONNECTOR ASSEMBLY IN FULLY-MATED POSITION

HARNESS CONNECTOR CLEARANCE LINE

15.6 MIN. ALL AROUND CLEARANCE REQUIRED FOR HARNESS CONNECTOR (014)

17.9 MIN. AT PAD LOCATION CLEARANCE REQUIRED FOR HARNESS CONNECTOR CONSTRUCTION BELOW THIS PLANE IS NOT CONTROLLED (015)

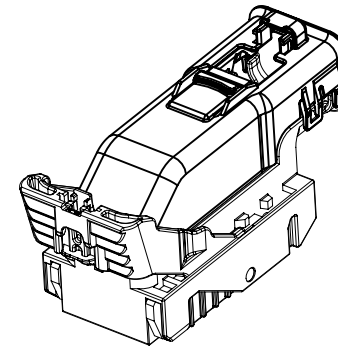
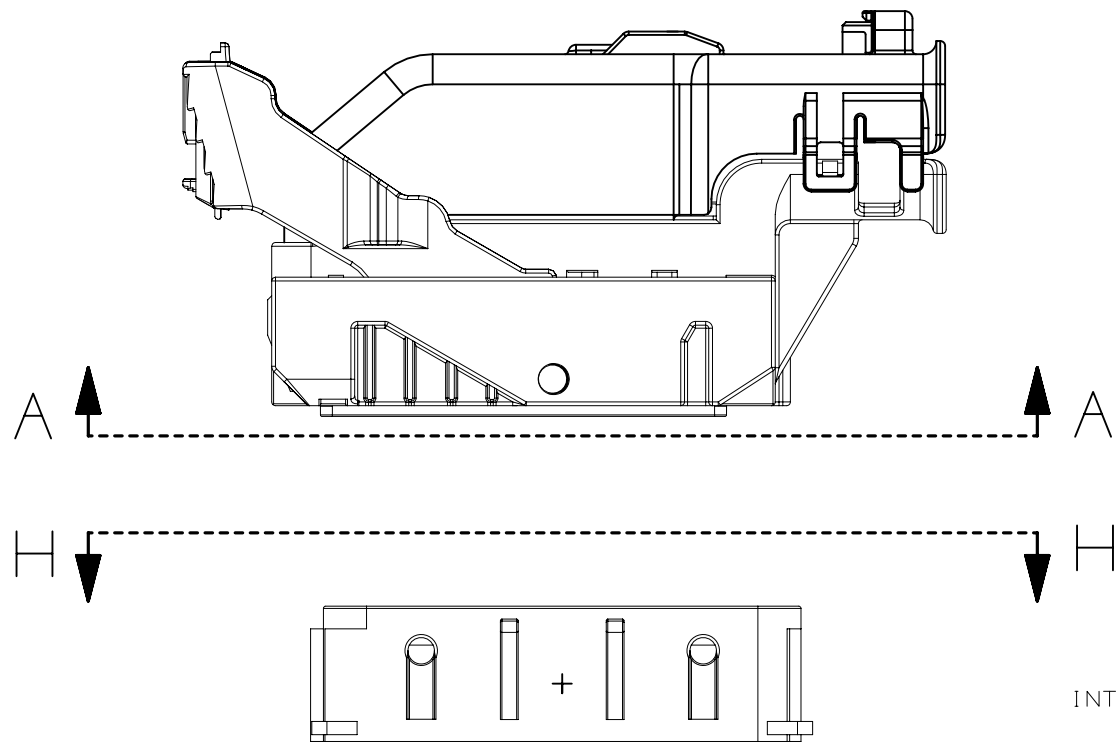


PAGE TITLE
 LOCATION AND PACKAGING DIMENSIONS
 REFERENCING INTERFACE DATUM A

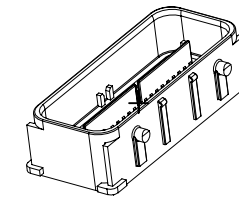
DRAWING NUMBER
 12672833

DWG STATUS		
ST	REV	PD1
R	001	

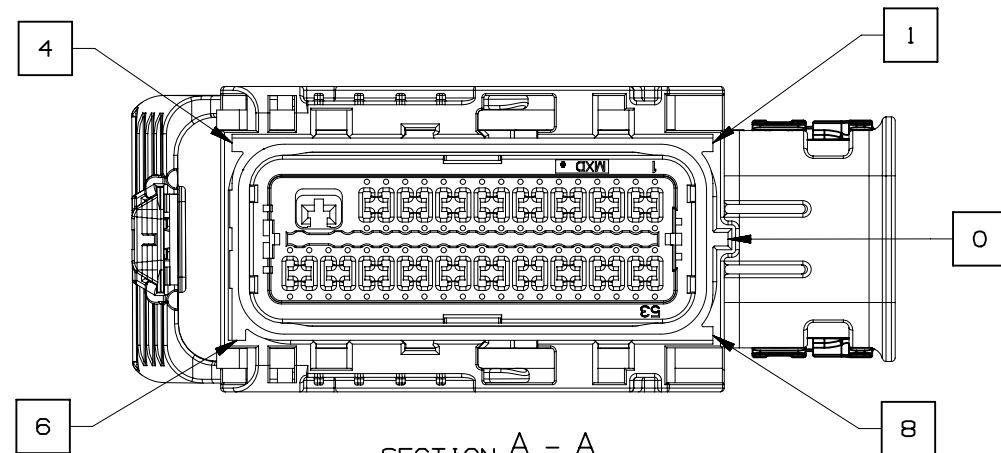
PAGE NUMBER
 10 OF 22



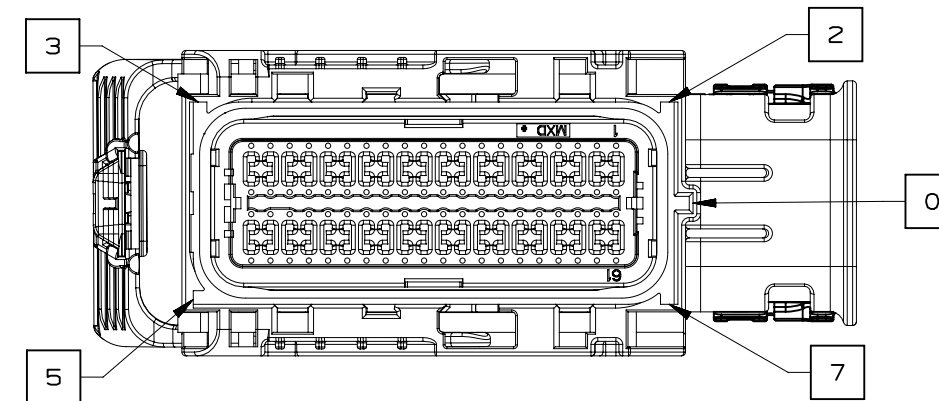
NOTE: REFERENCE THE COMPONENT TABLE FOR KEY OPTIONS AND CONFIGURATIONS



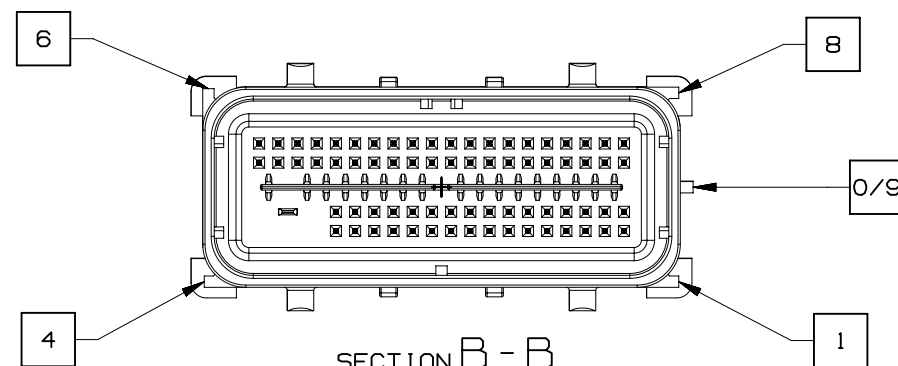
INTERFACE SIDE SHOWN ON ALL SECTION VIEWS



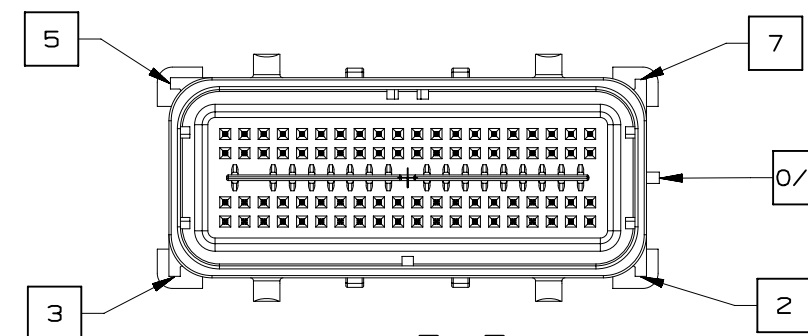
SECTION A - A
73 CKT HARNESS CONNECTOR ASSEMBLY
KEY OPTION B SHOWN



SECTION A - A
80 CKT HARNESS CONNECTOR ASSEMBLY
KEY OPTION K SHOWN



SECTION B - B
73 CKT HARNESS CONNECTOR ASSEMBLY
KEY OPTION B SHOWN



SECTION B - B
80 CKT HARNESS CONNECTOR ASSEMBLY
KEY OPTION K SHOWN

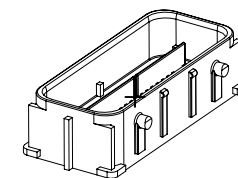
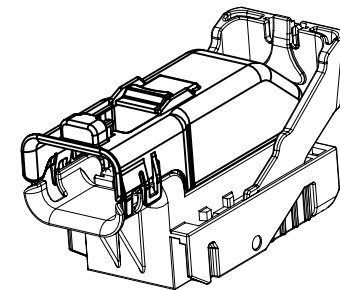
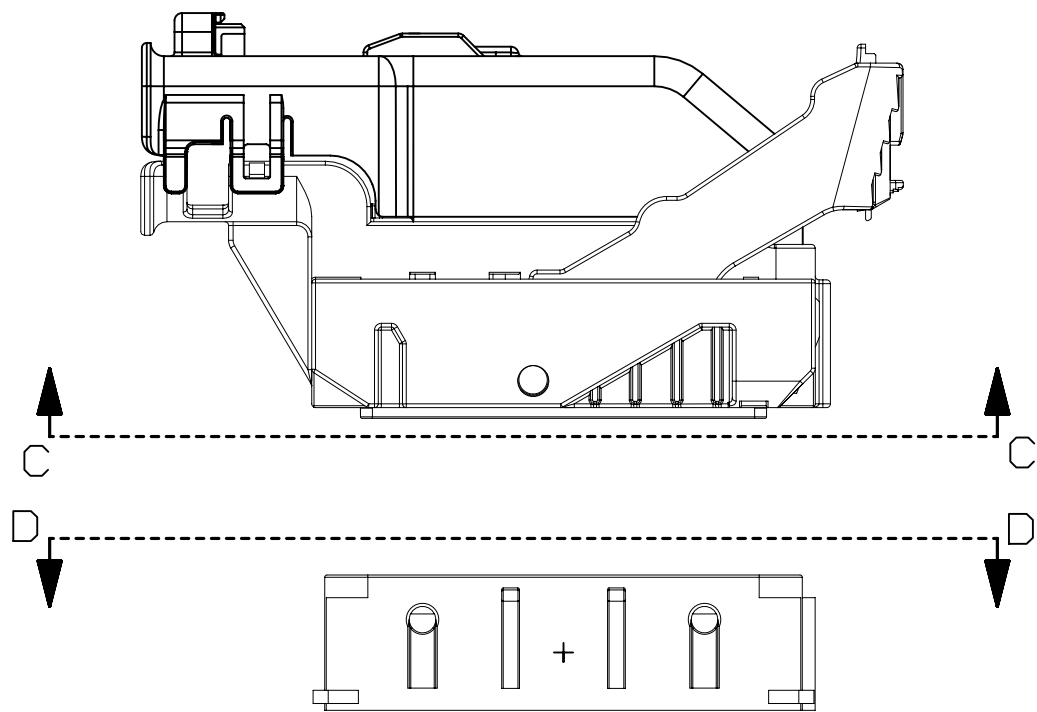


PAGE TITLE
KEY ID REF - WIRE DRESS OPTION 0

DRAWING NUMBER
12672833

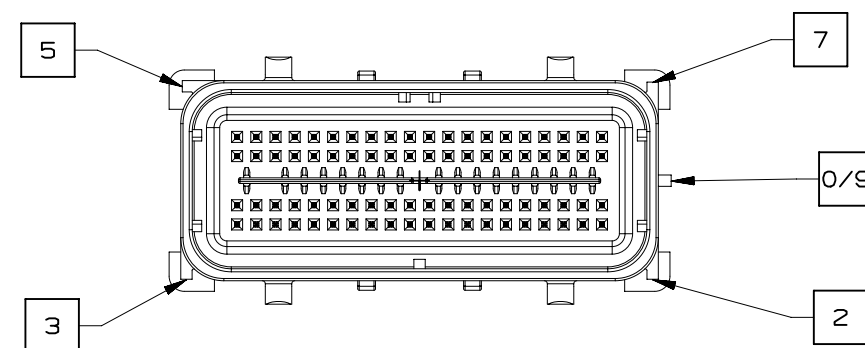
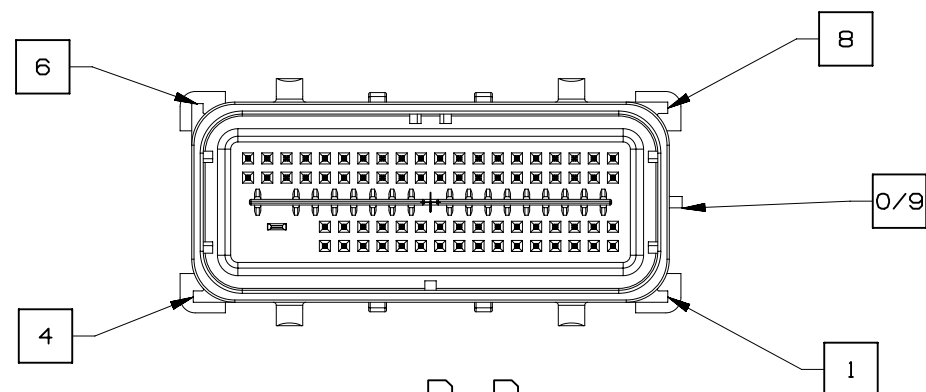
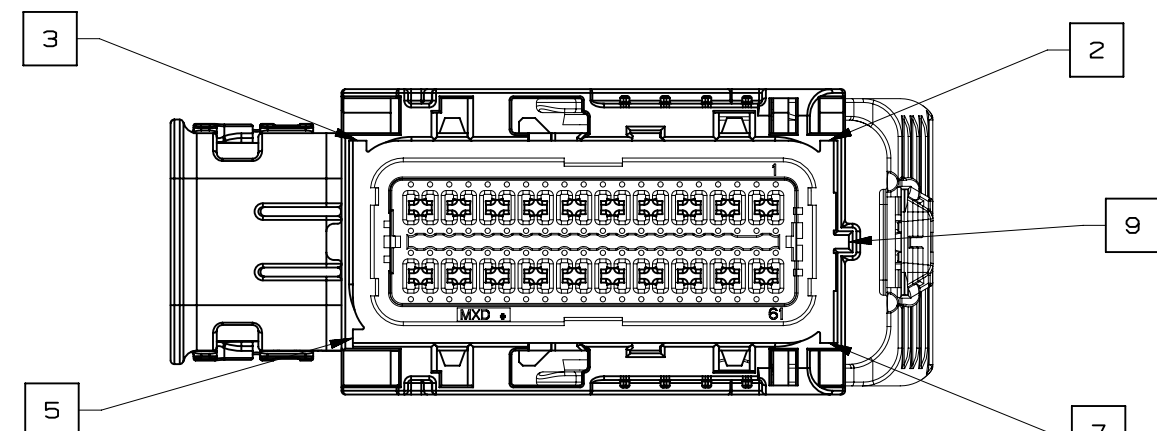
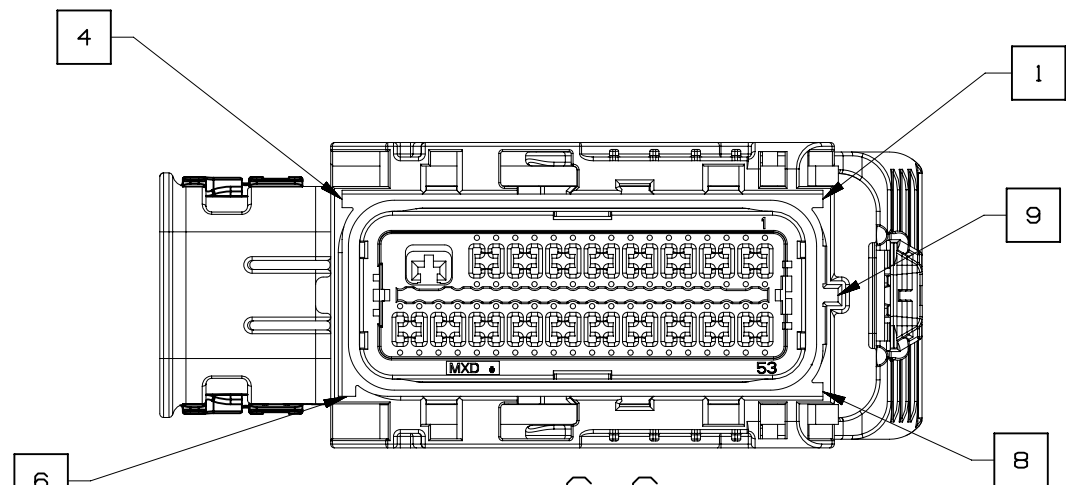
DWG STATUS		
ST	REV	PD1
R	001	

PAGE NUMBER
11 OF 22



NOTE: REFERENCE THE COMPONENT TABLE FOR KEY OPTIONS AND CONFIGURATIONS

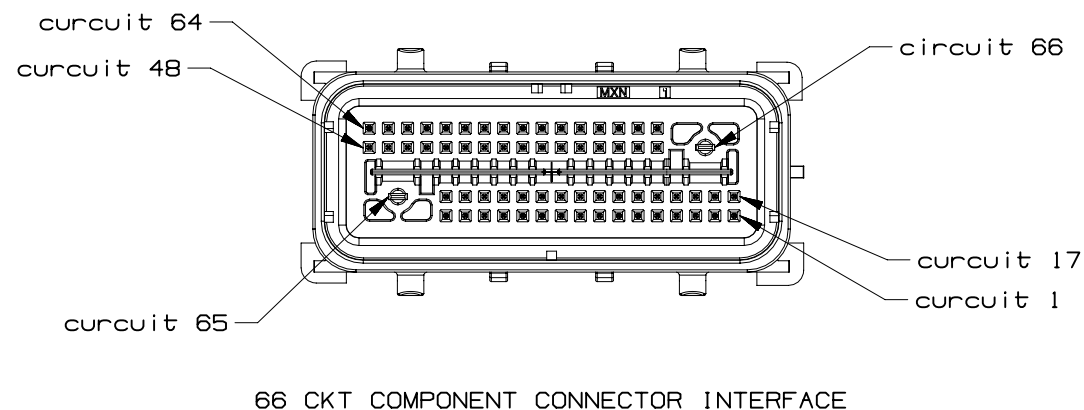
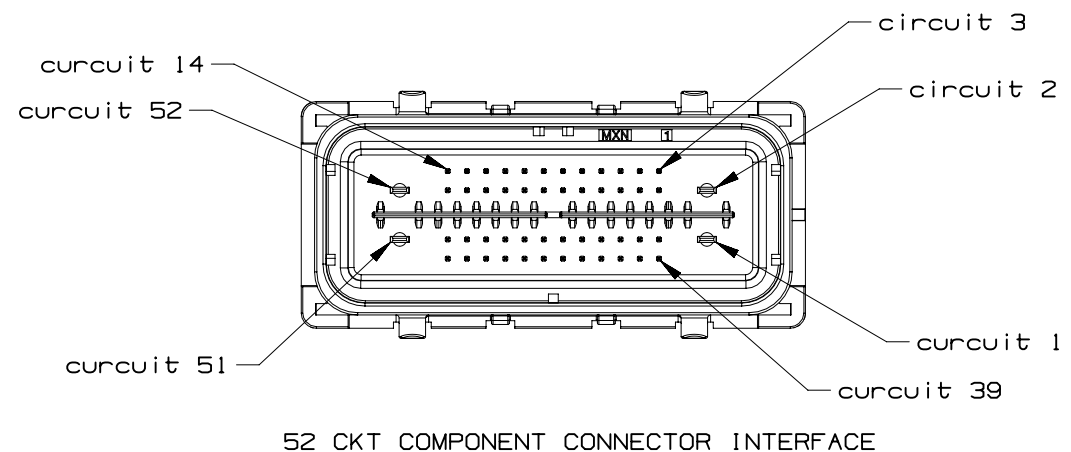
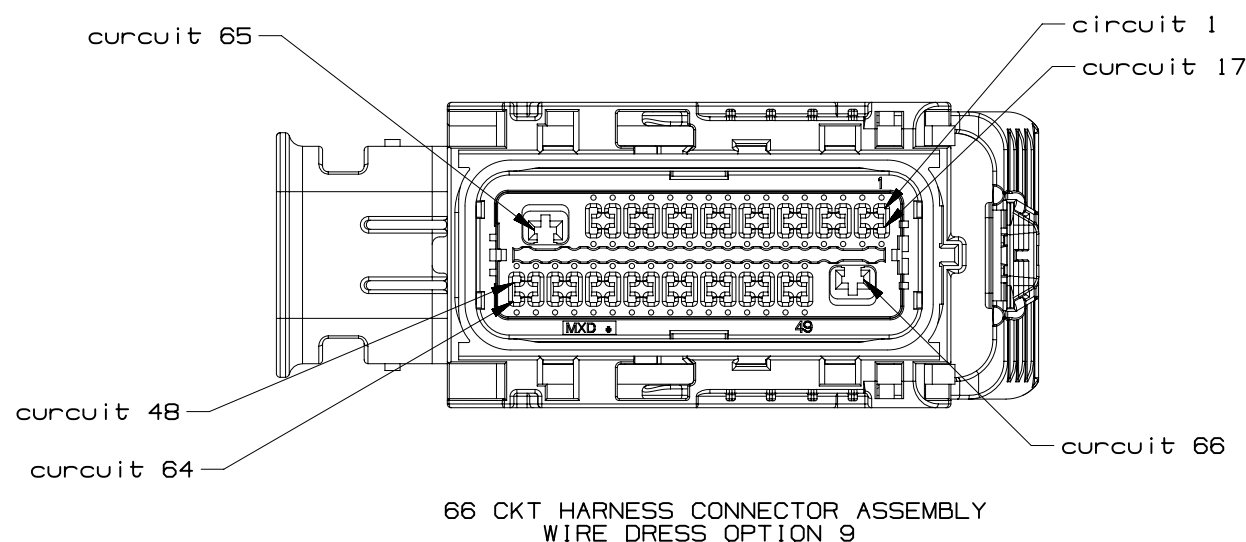
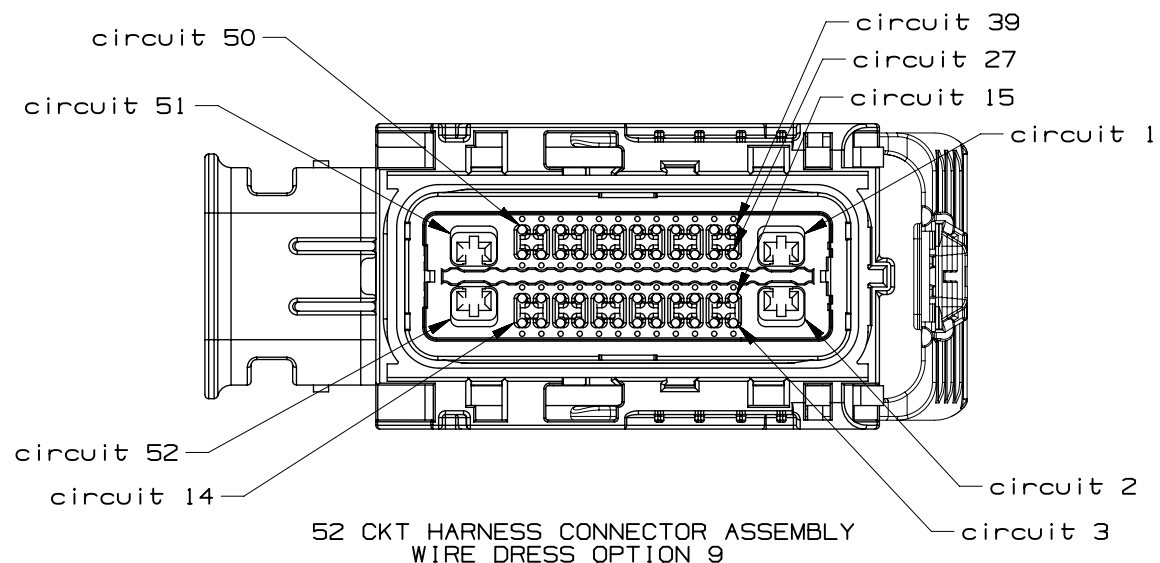
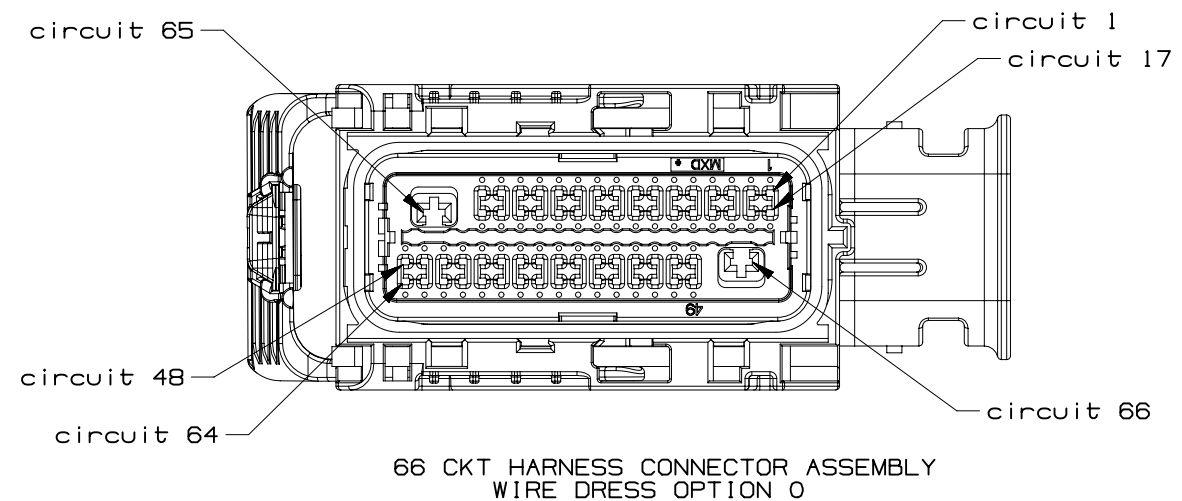
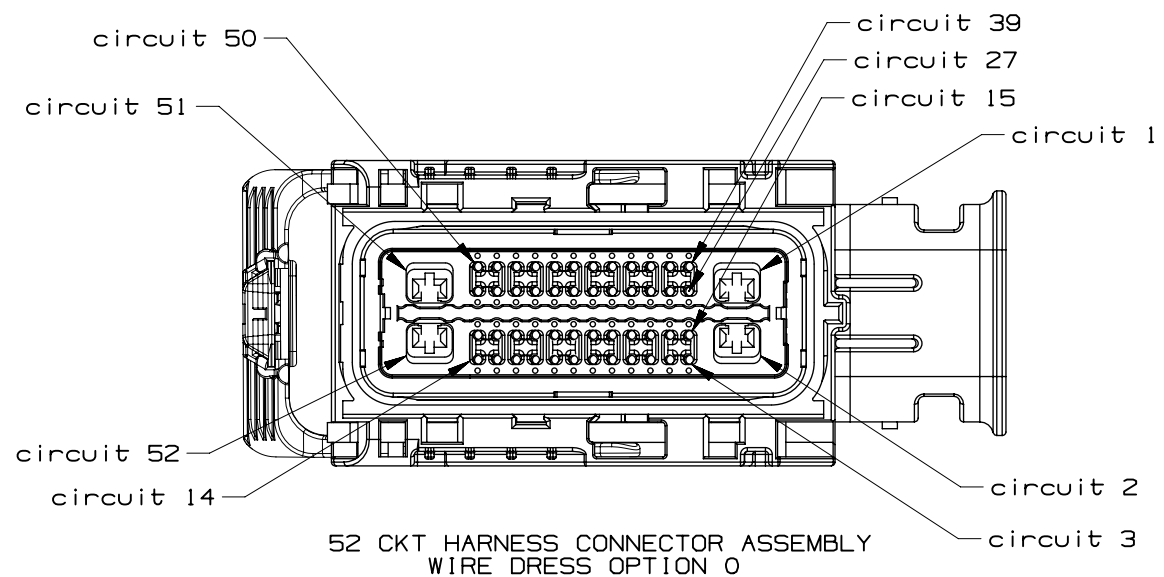
INTERFACE SIDE SHOWN ON ALL SECTION VIEWS



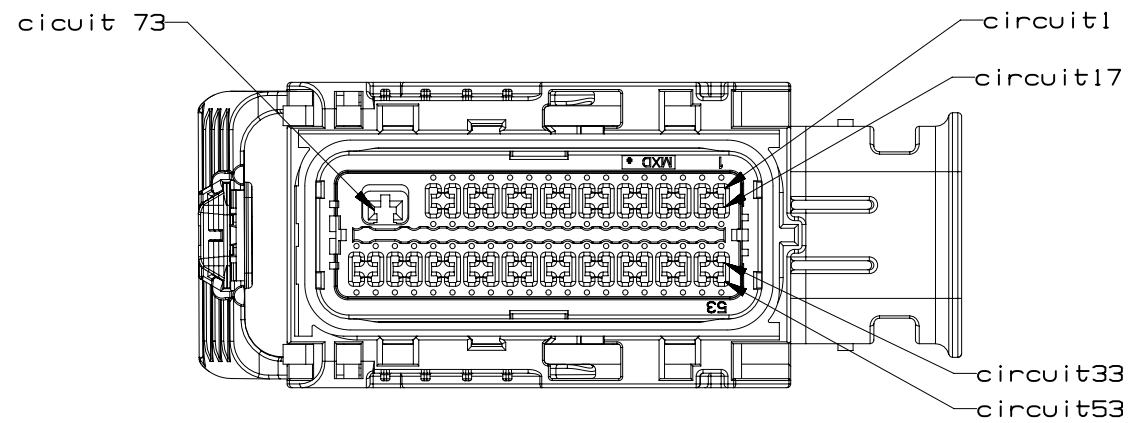
PAGE TITLE
KEY ID REF - WIRE DRESS OPTION 9

DRAWING NUMBER
12672833

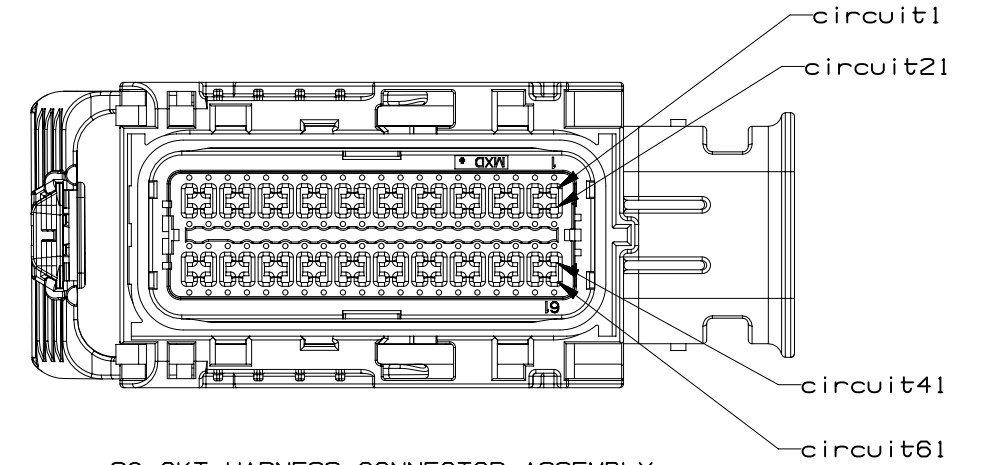
DWG STATUS			PAGE NUMBER
ST	REV	PD1	
R	001		12 OF 22



	PAGE TITLE CIRCUIT CONFIGURATIONS	DRAWING NUMBER 12672833	DWG STATUS			PAGE NUMBER	
			ST	REV	PDI	13	OF 22
			R	001			

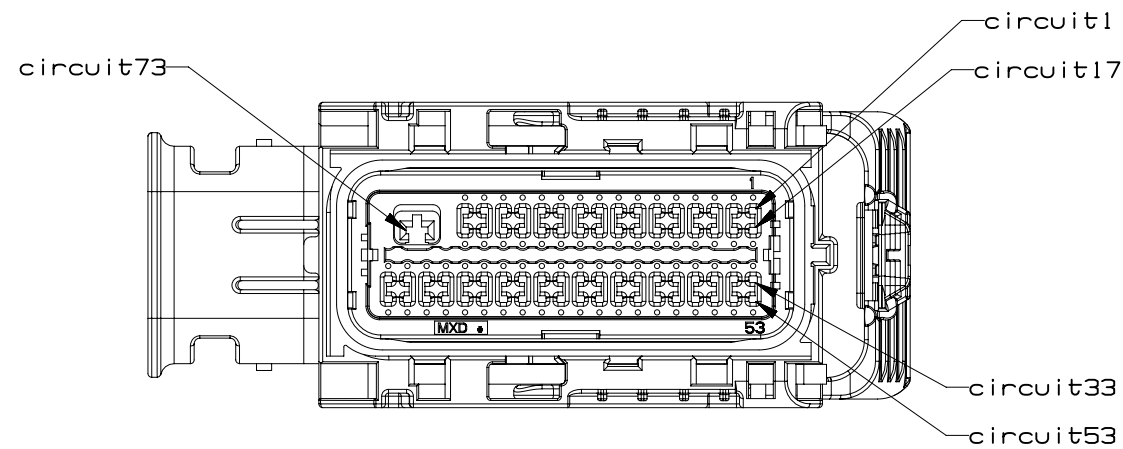


73 CKT HARNESS CONNECTOR ASSEMBLY
WIRE DRESS OPTION 0

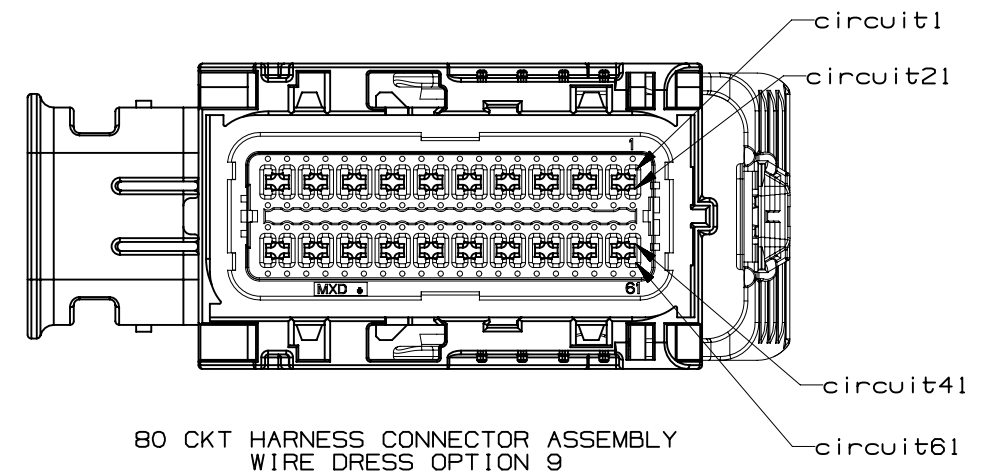


80 CKT HARNESS CONNECTOR ASSEMBLY
WIRE DRESS OPTION 0

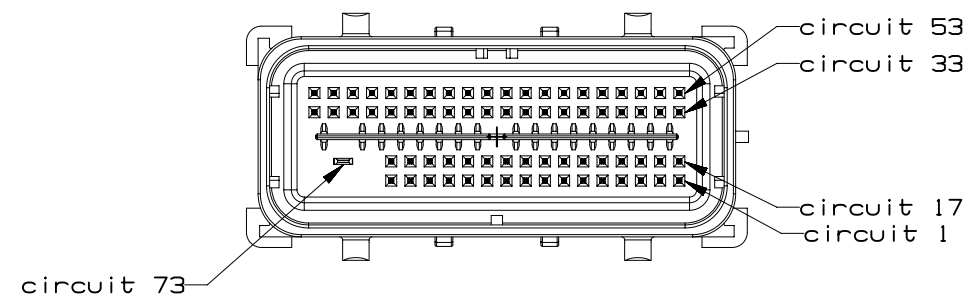
INTERFACE SIDE SHOWN ON ALL VIEWS



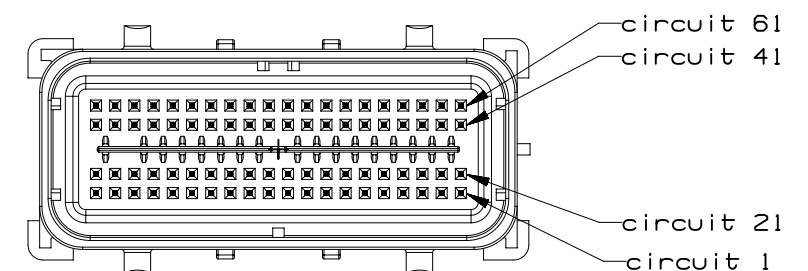
73 CKT HARNESS CONNECTOR ASSEMBLY
WIRE DRESS OPTION 9



80 CKT HARNESS CONNECTOR ASSEMBLY
WIRE DRESS OPTION 9

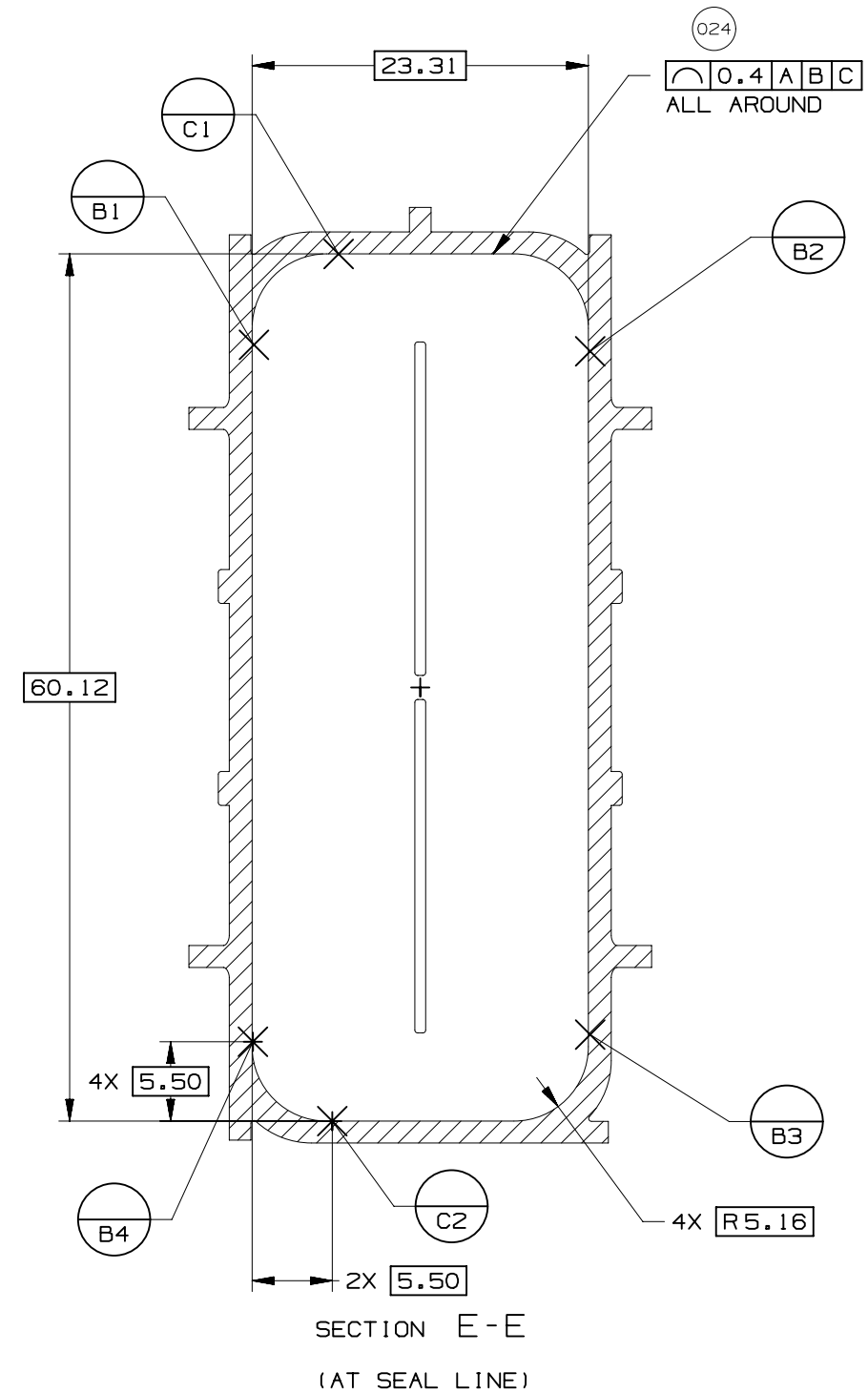
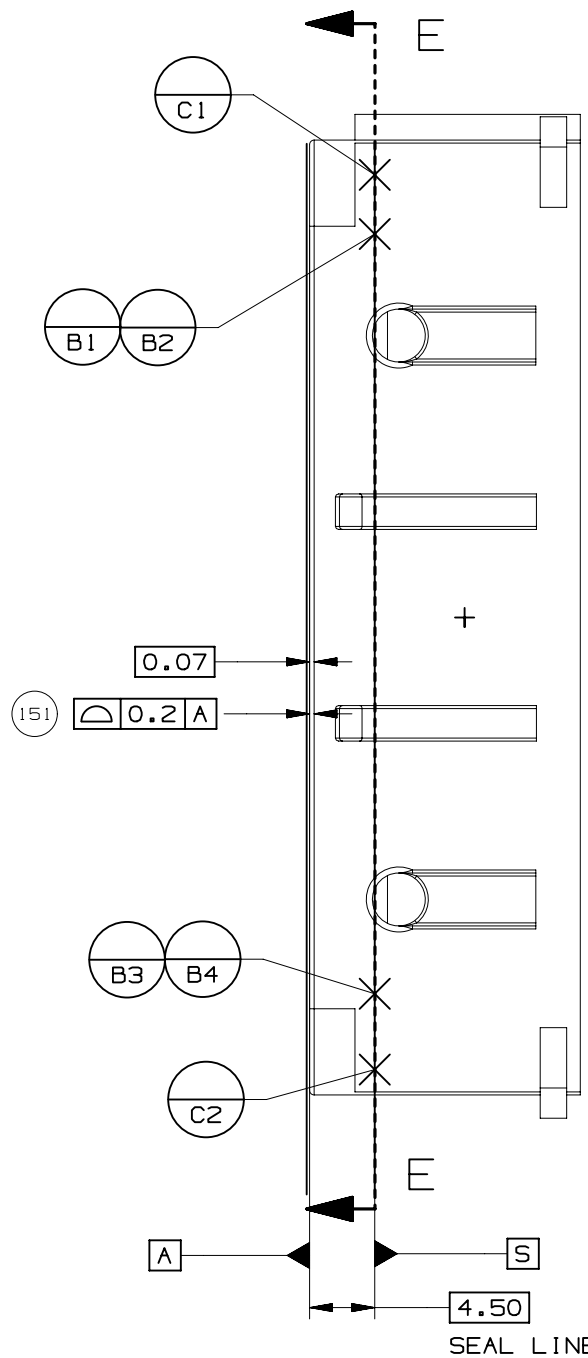
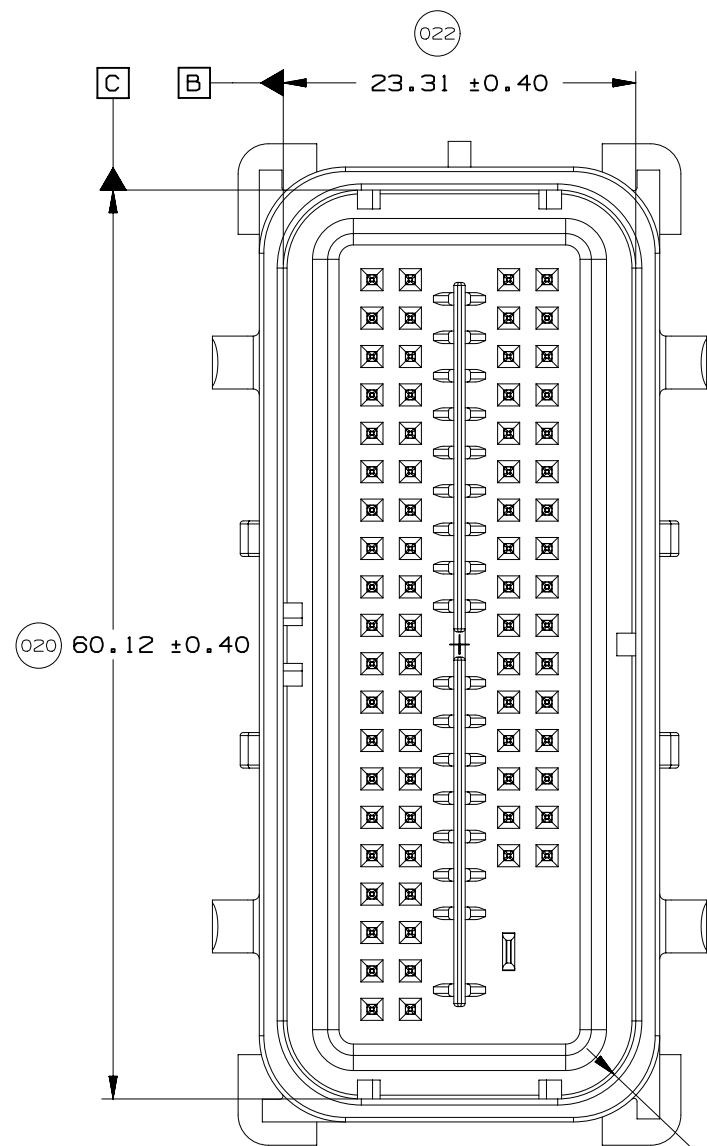
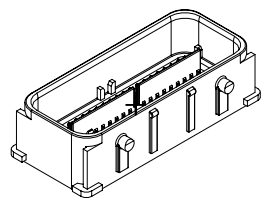


73 CKT COMPONENT CONNECTOR INTERFACE



80 CKT COMPONENT CONNECTOR INTERFACE





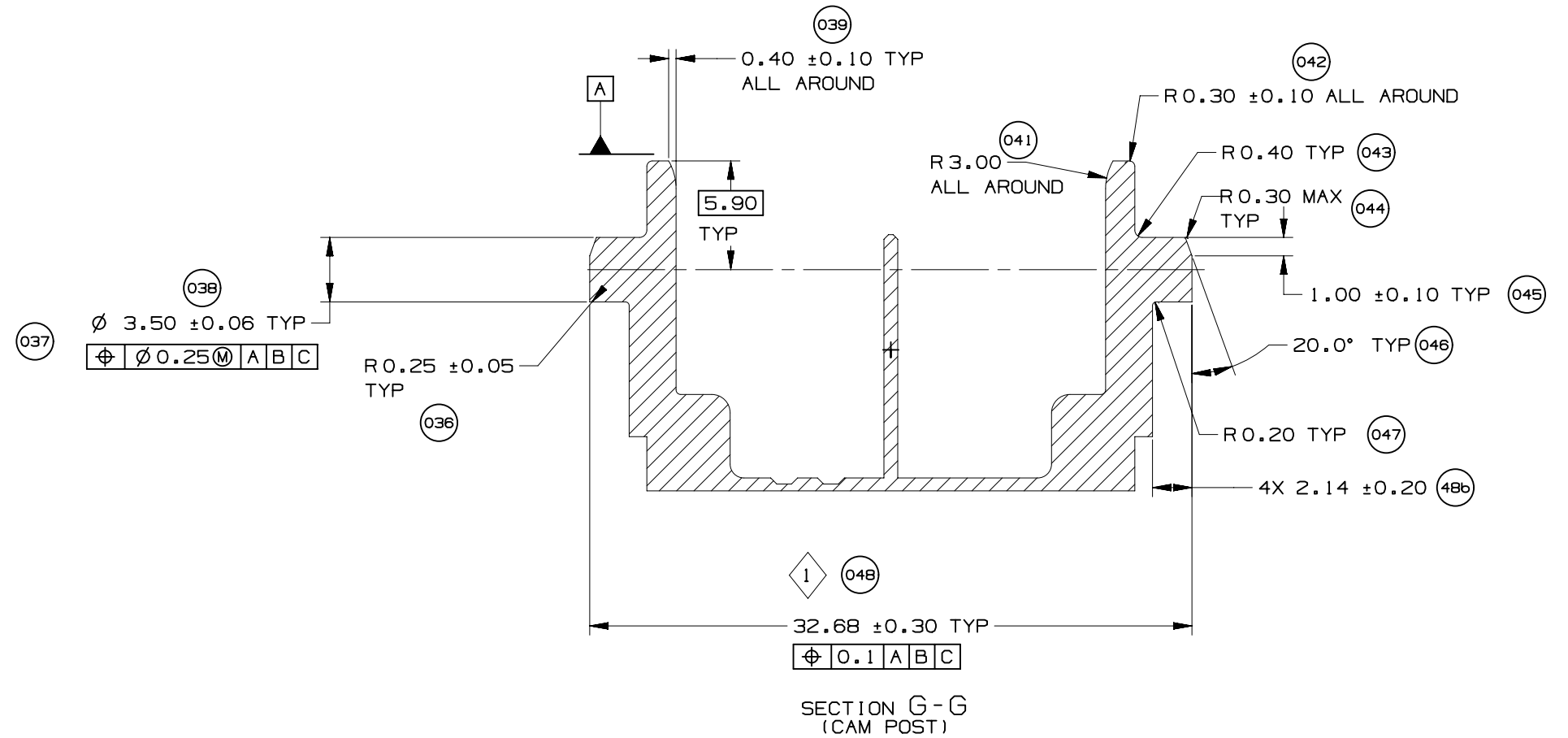
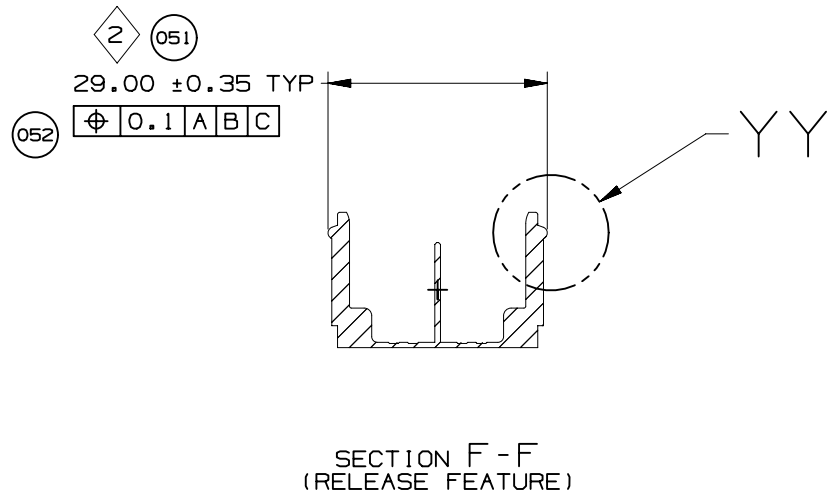
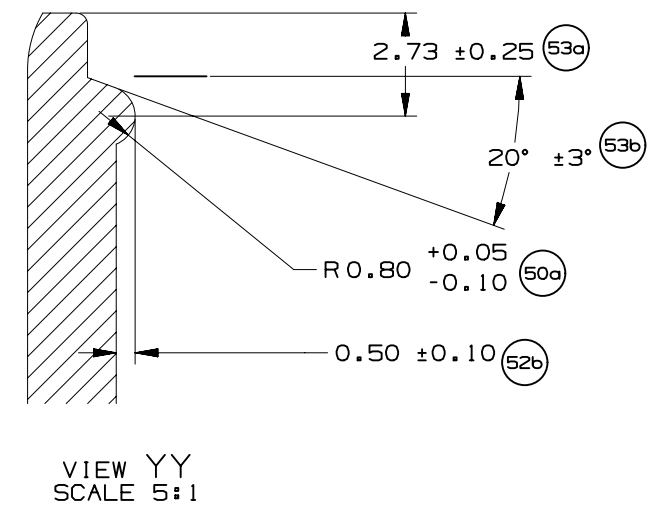
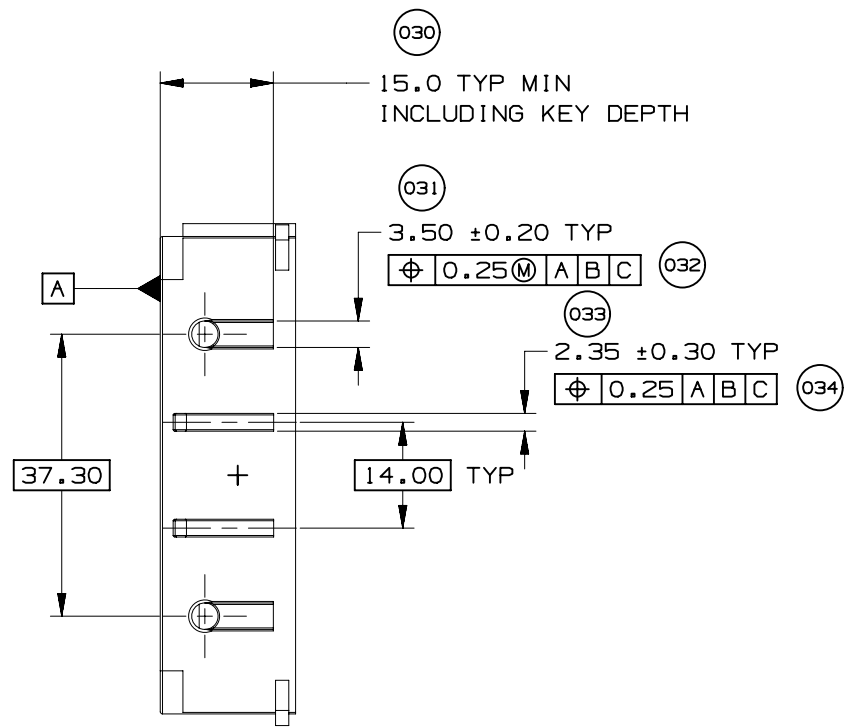
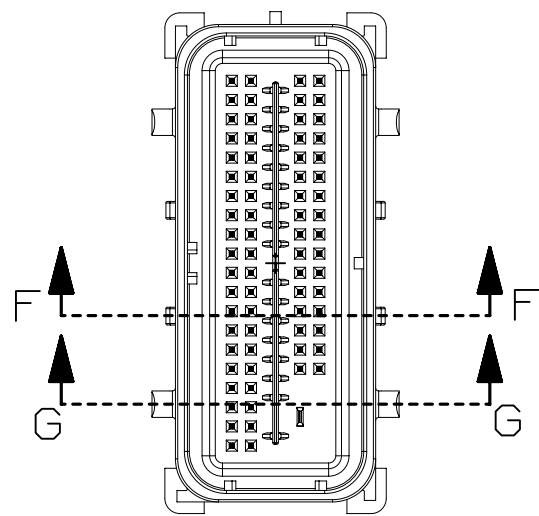
UNLESS SPECIFIED, TOLERANCE OF THE COMPONENT CONNECTOR INTERFACE TO BE $\sqrt{0.13 A B C}$



PAGE TITLE
COMPONENT CONNECTOR INTERFACE

DRAWING NUMBER
12672833

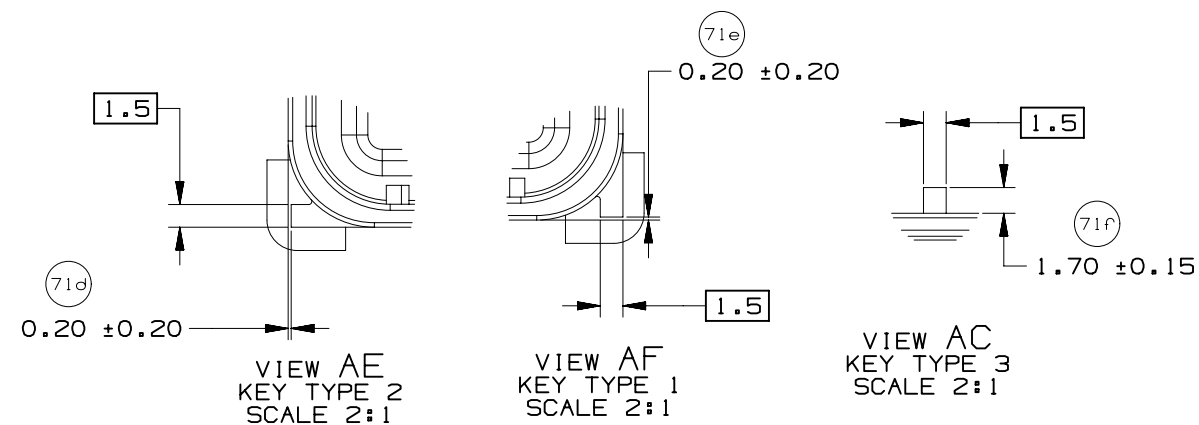
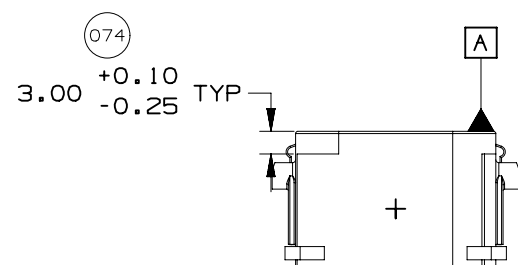
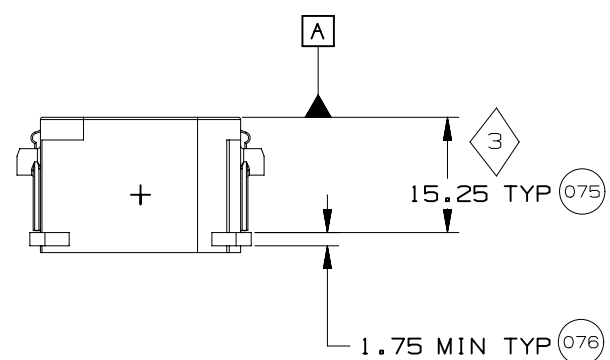
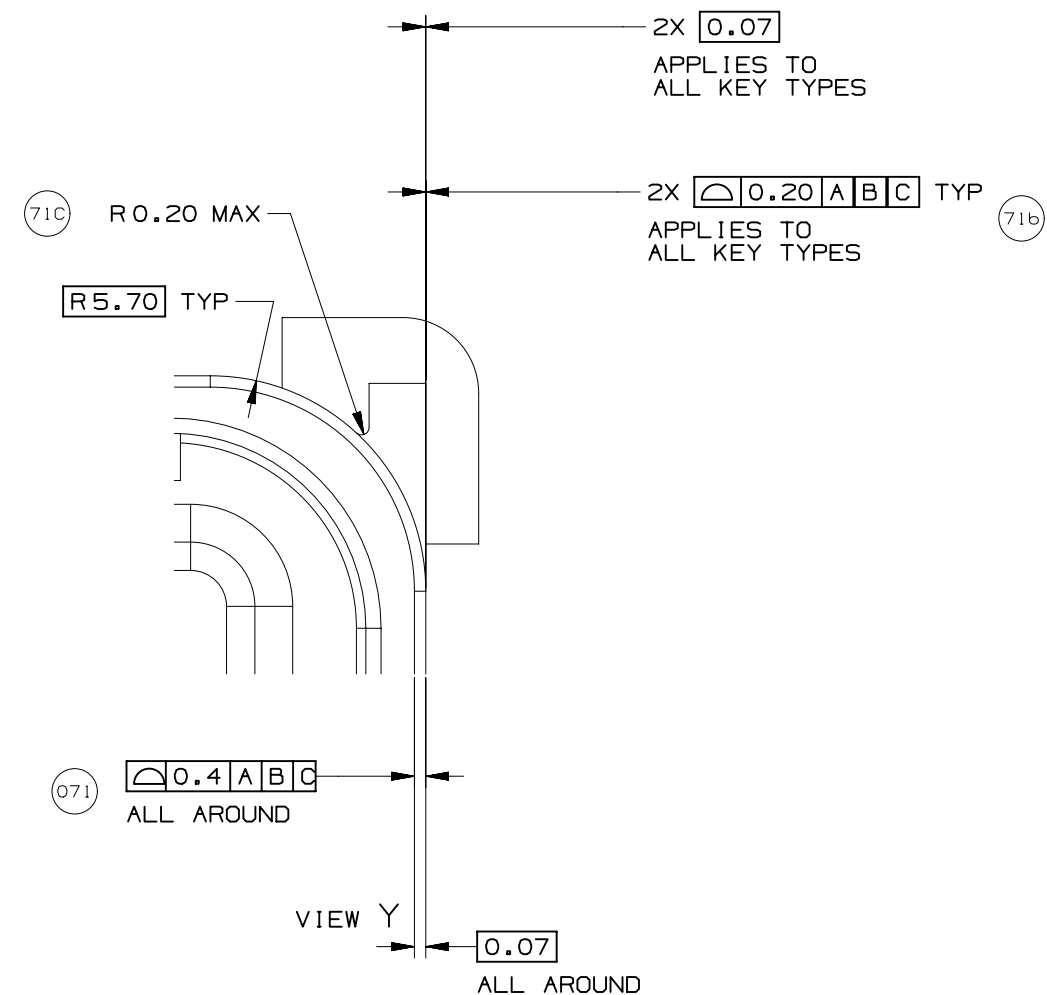
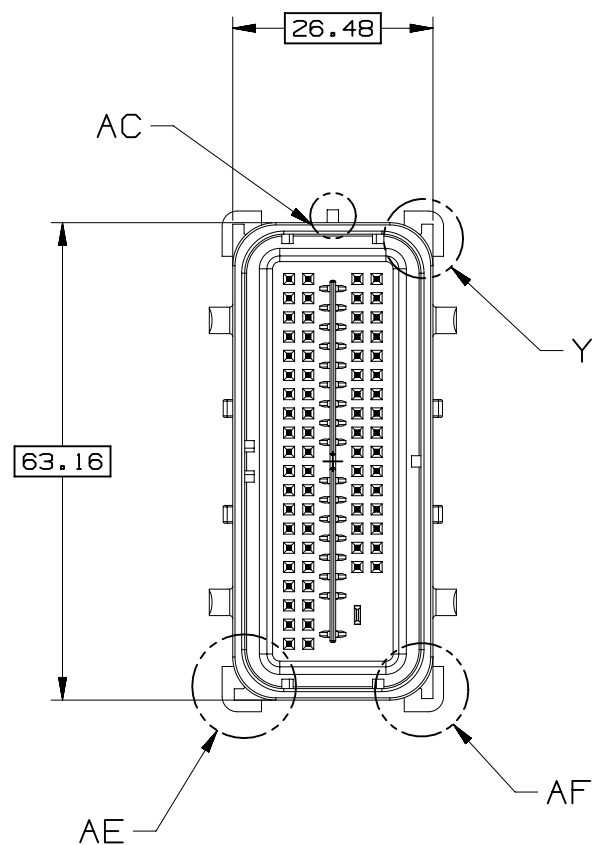
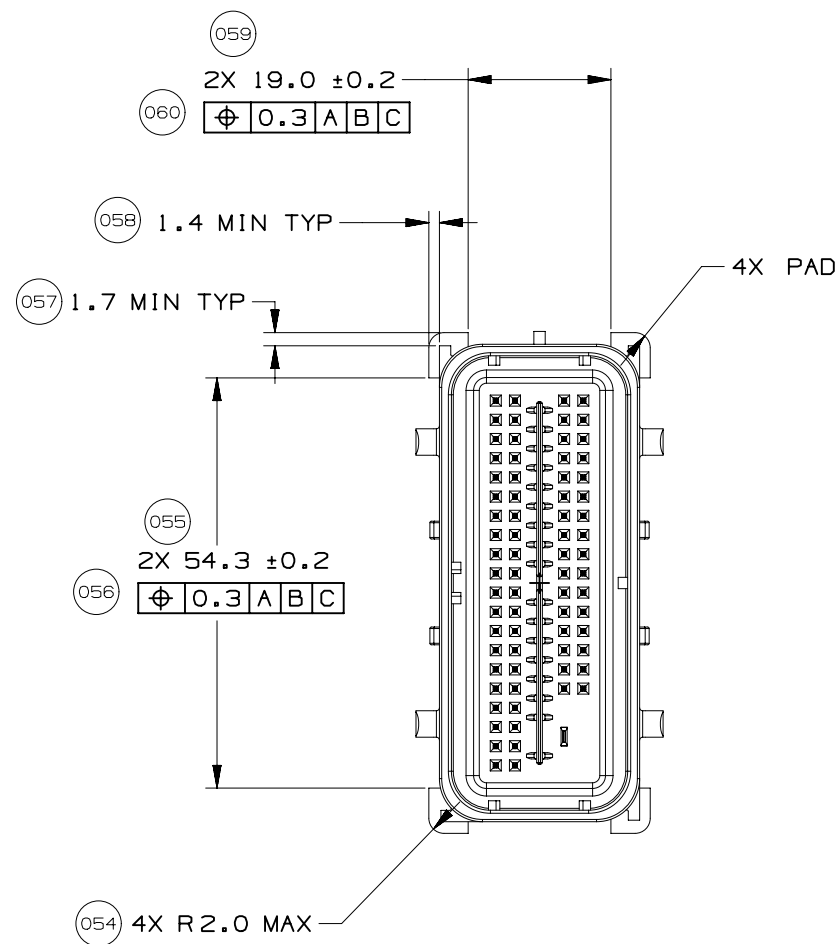
DWG STATUS			PAGE NUMBER
ST	REV	PD1	
R	001		15 OF 22



PAGE TITLE
COMPONENT CONNECTOR INTERFACE

DRAWING NUMBER
12672833

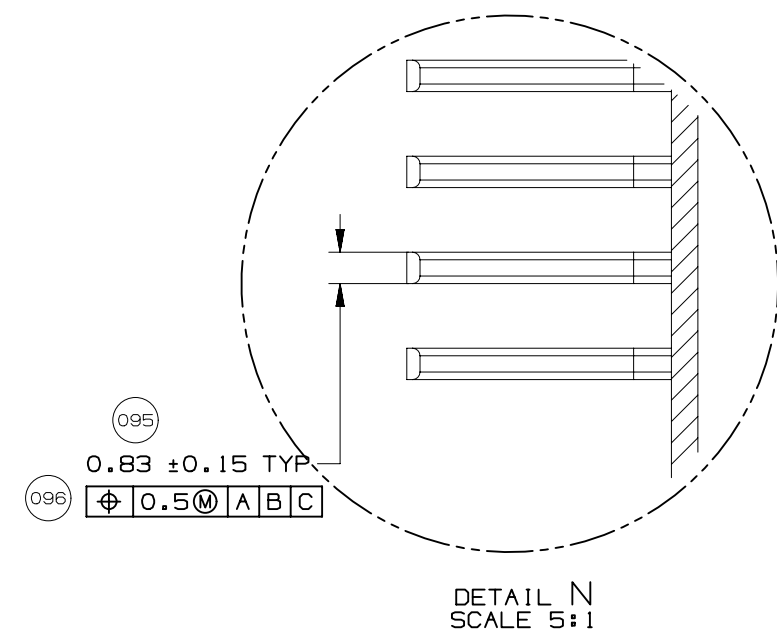
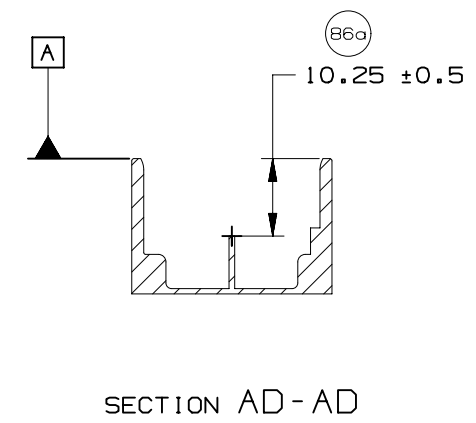
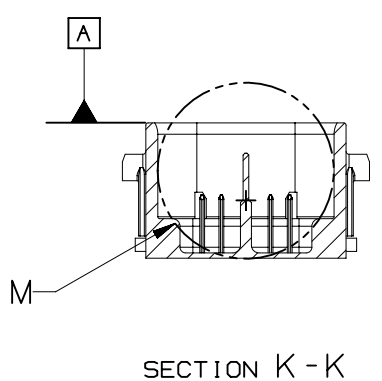
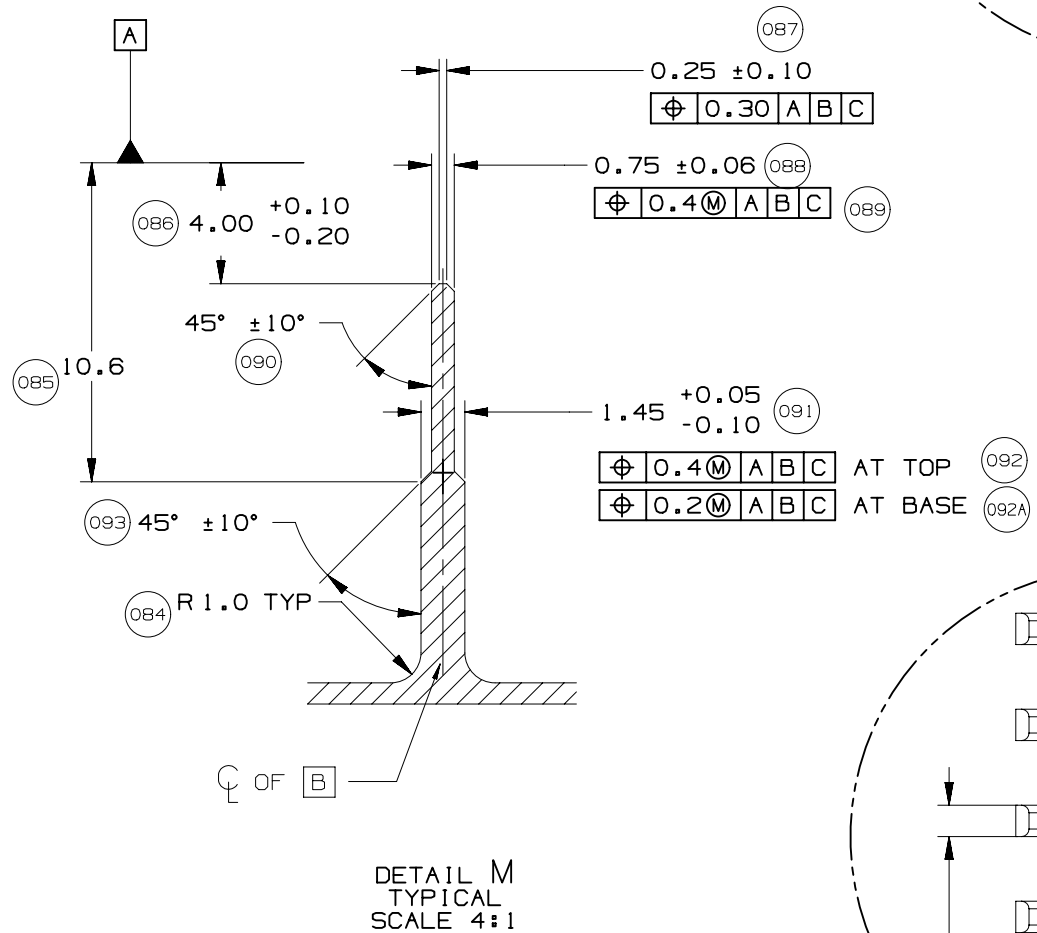
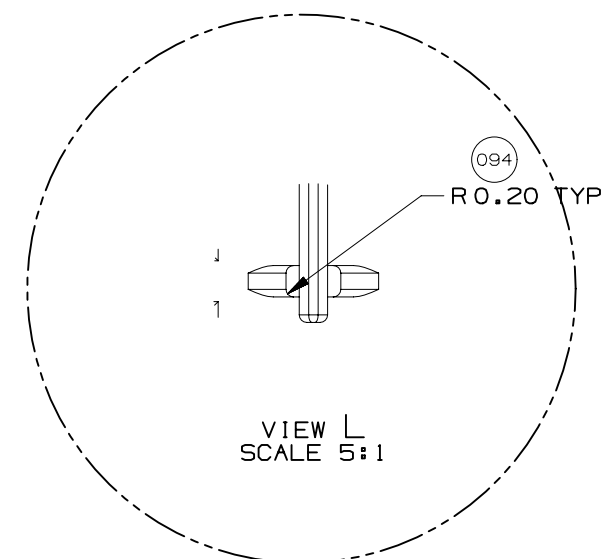
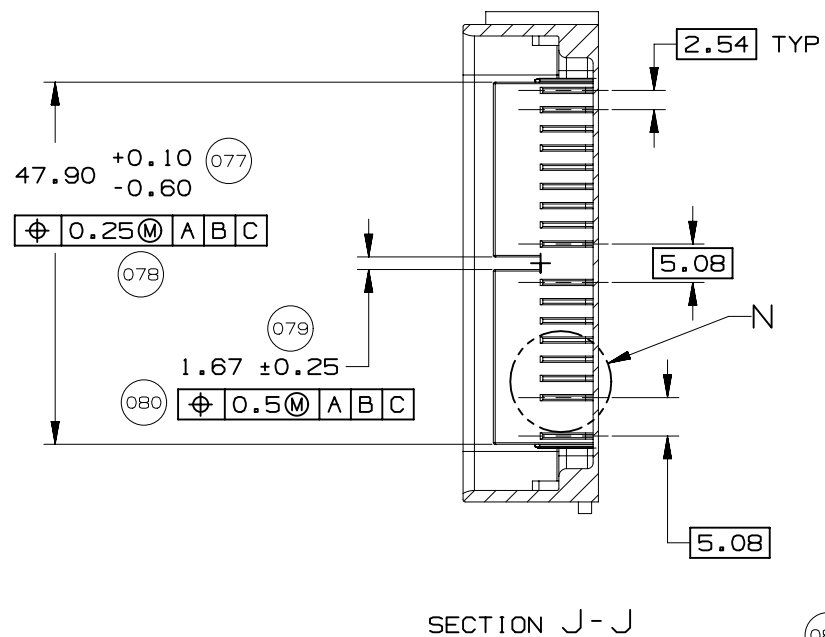
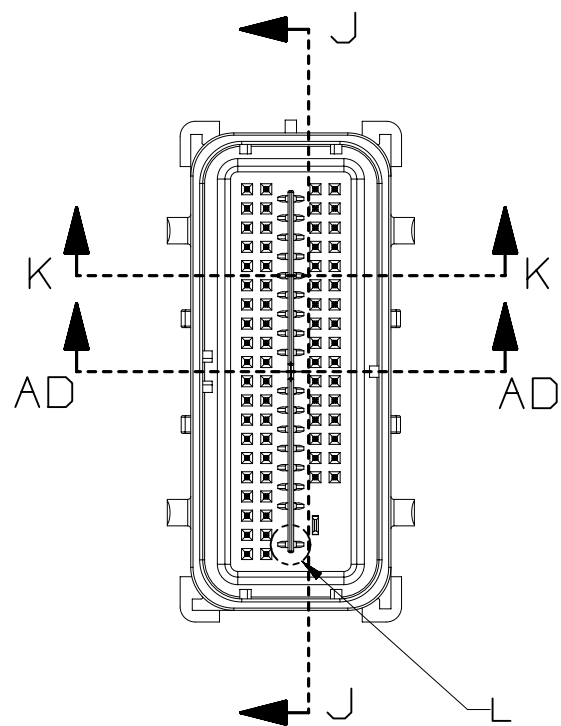
DWG STATUS			PAGE NUMBER
ST	REV	PDI	
R	001		16 OF 22

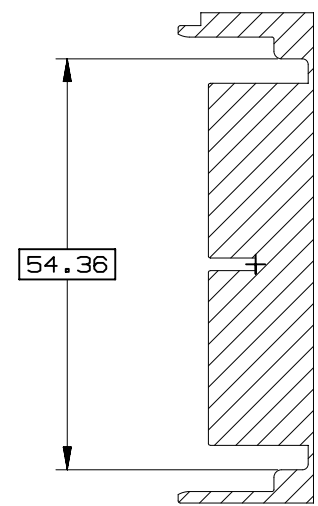
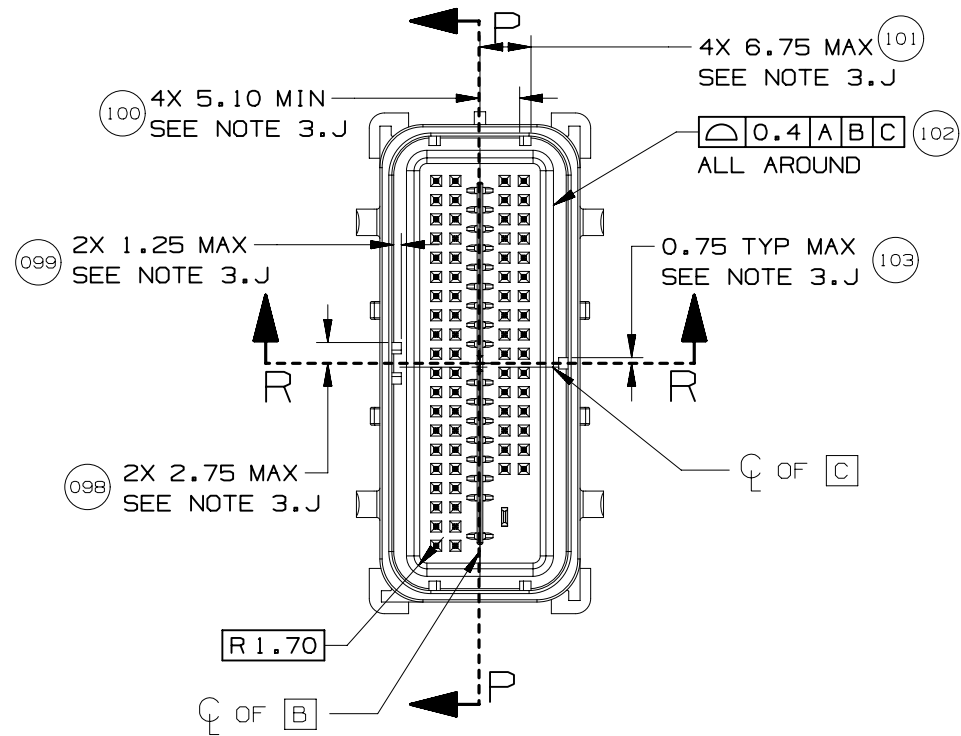


PAGE TITLE
 COMPONENT CONNECTOR INTERFACE

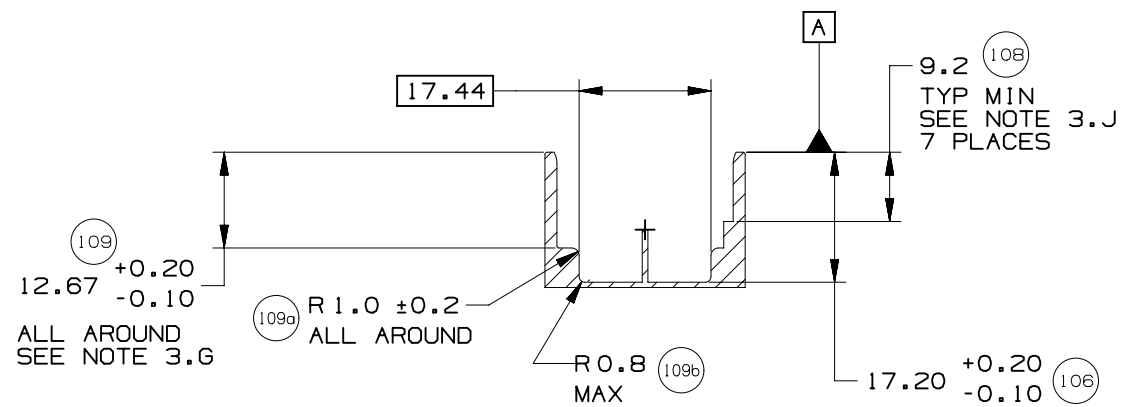
DRAWING NUMBER
 12672833

DWG STATUS			PAGE NUMBER
ST	REV	PD1	
R	001		17 OF 22





SECTION P-P



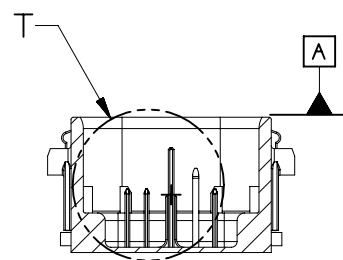
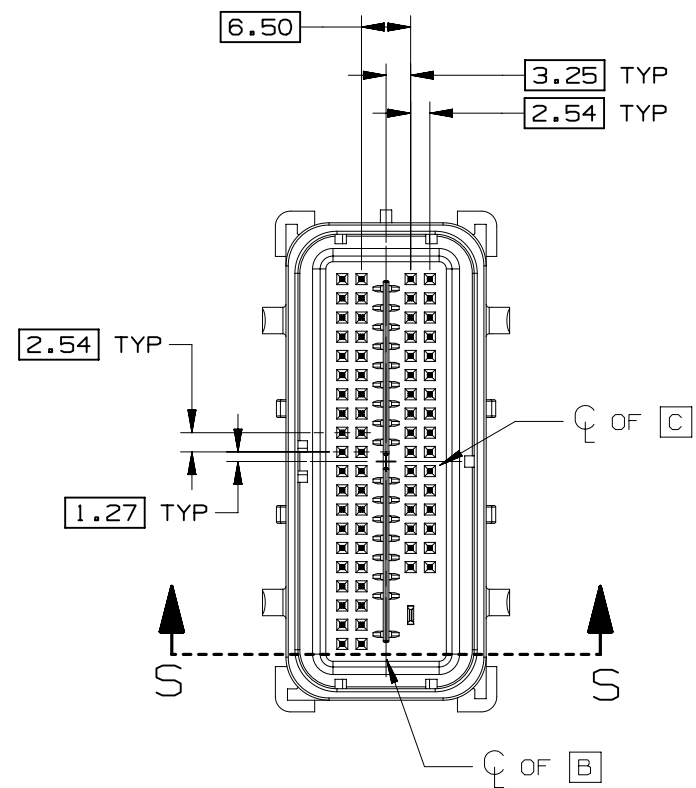
SECTION R-R



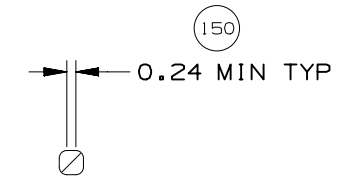
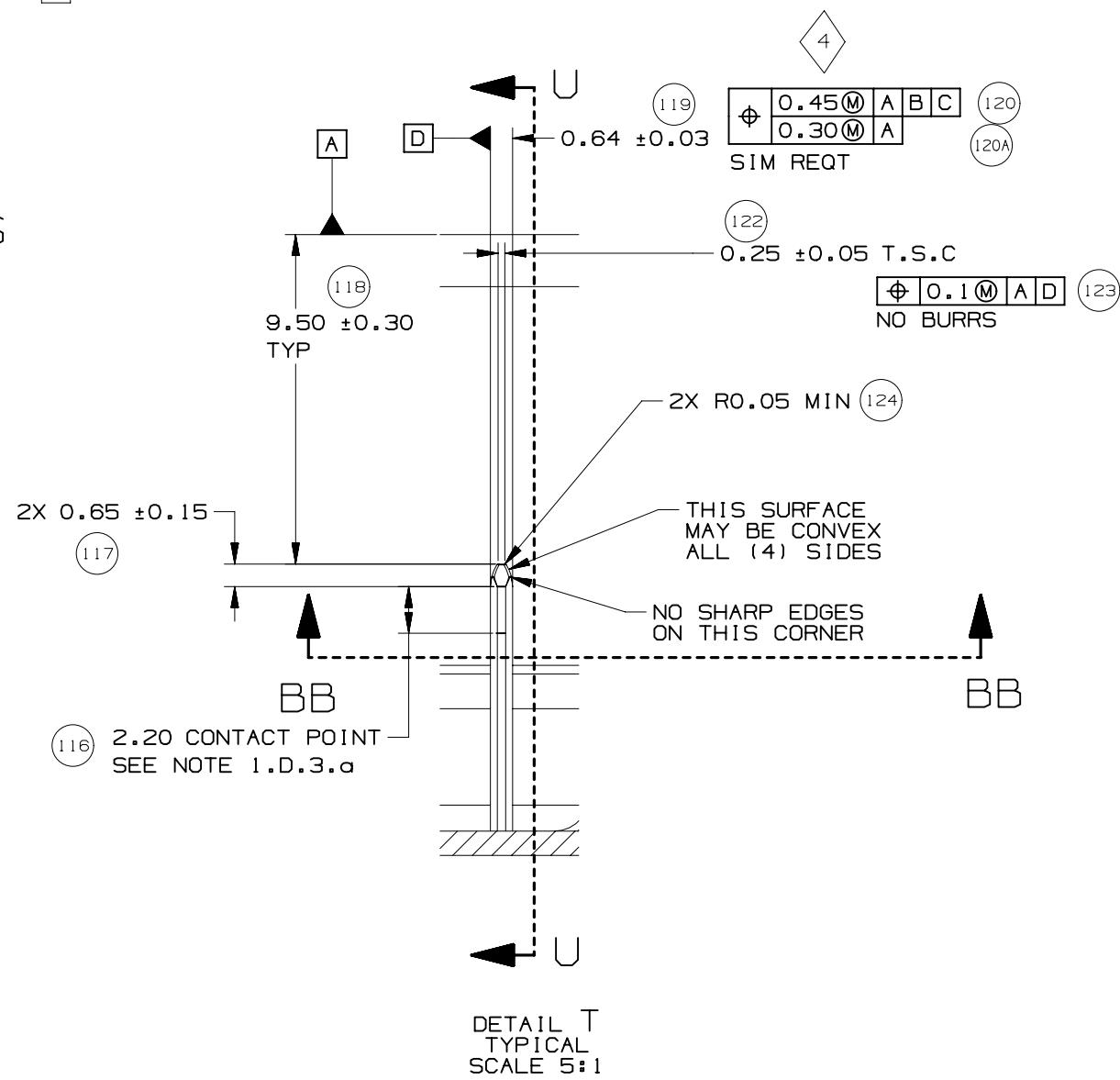
PAGE TITLE
COMPONENT CONNECTOR INTERFACE

DRAWING NUMBER
12672833

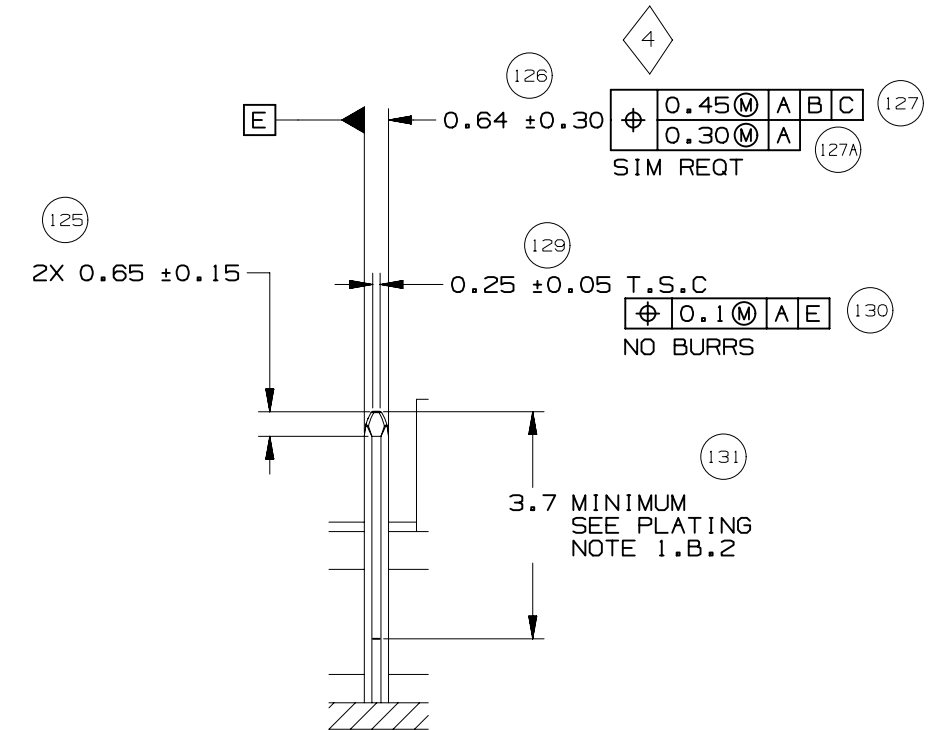
DWG STATUS			PAGE NUMBER	
ST	REV	PD1	19	OF 22
R	001			



SECTION S-S

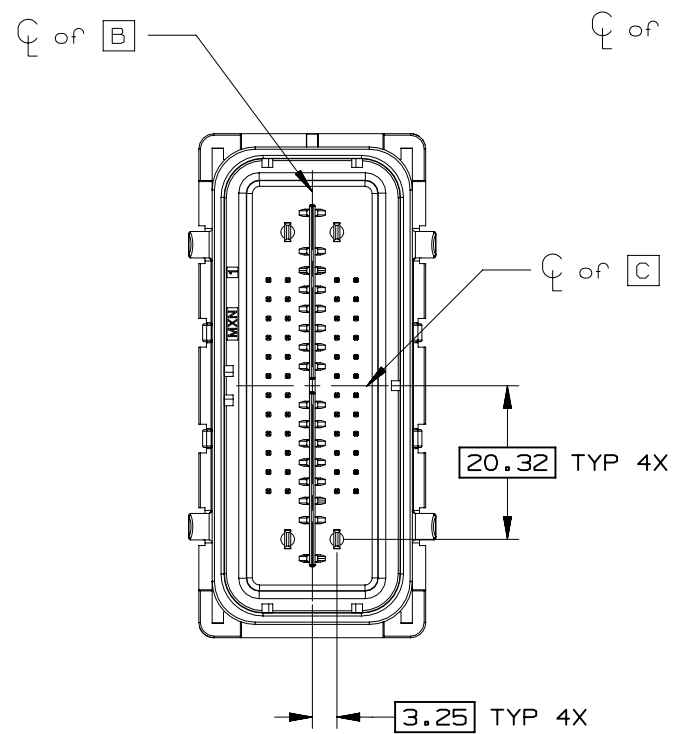


SECTION BB-BB

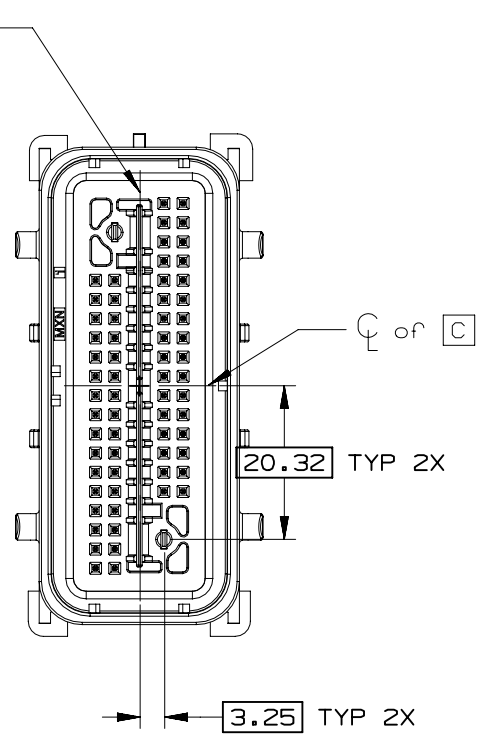


SECTION U-U TYPICAL

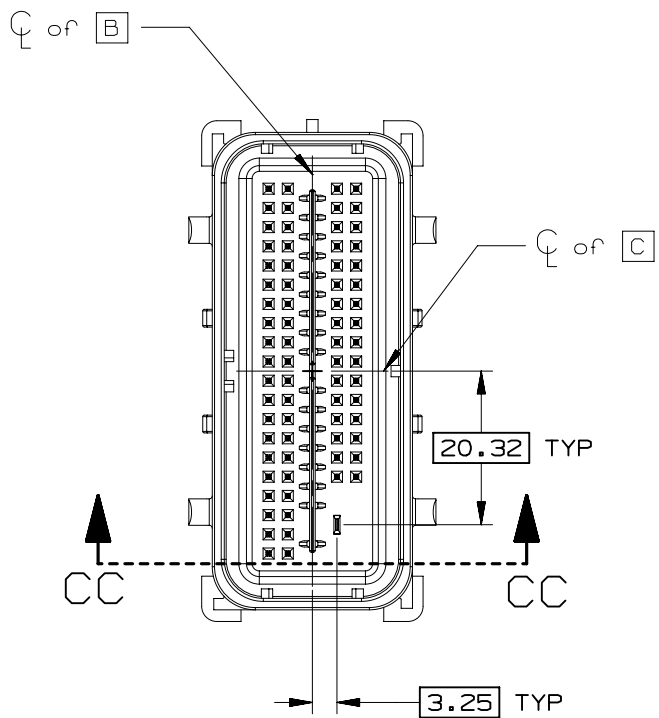




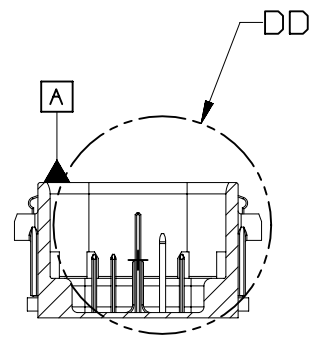
52 CKT COMPONENT
CONNECTOR INTERFACE



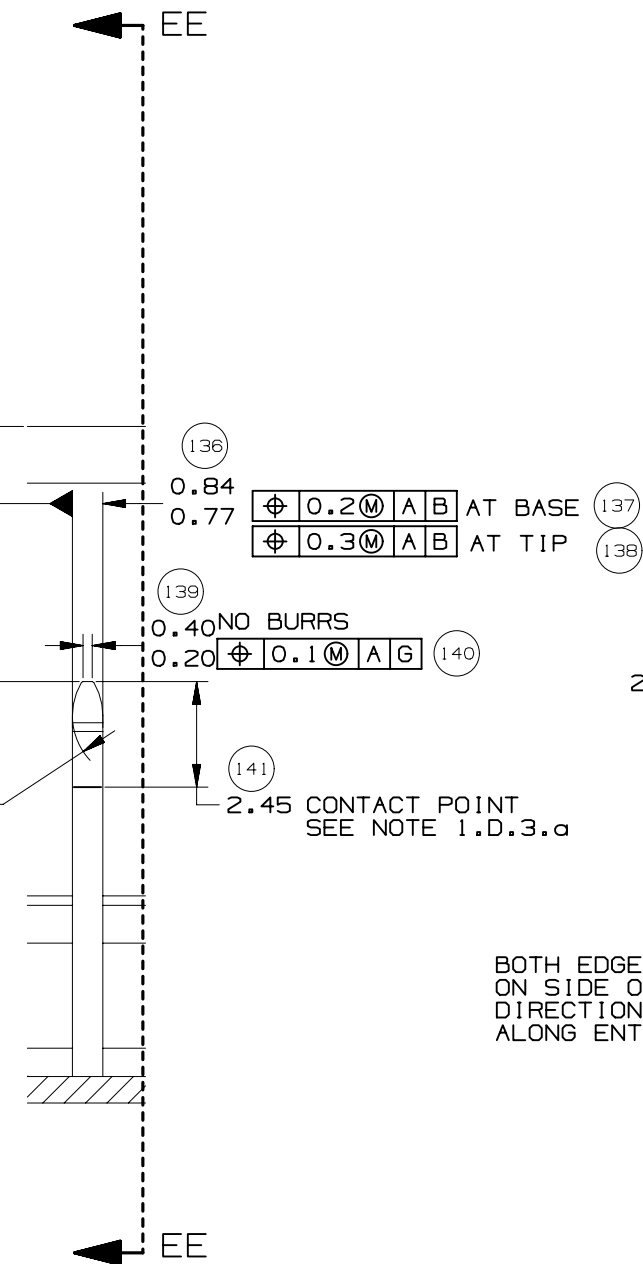
66 CKT COMPONENT
CONNECTOR INTERFACE



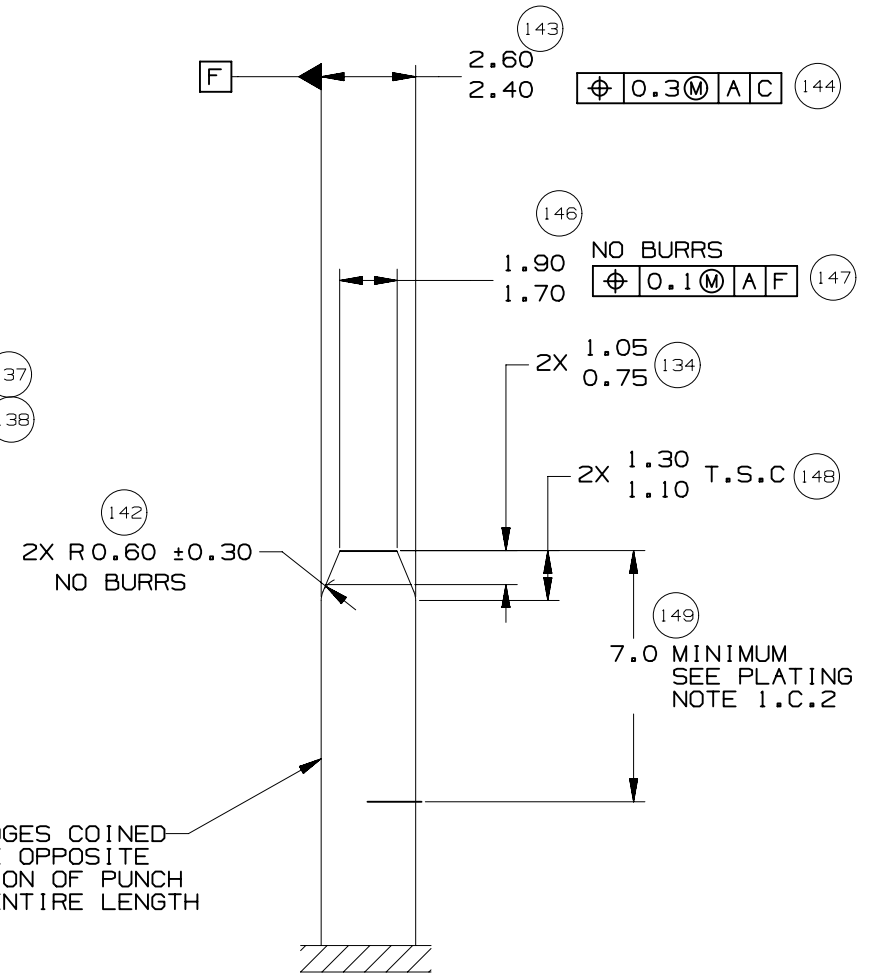
73 CKT COMPONENT
CONNECTOR INTERFACE



SECTION CC-CC



DETAIL DD
TYPICAL
SCALE 5:1



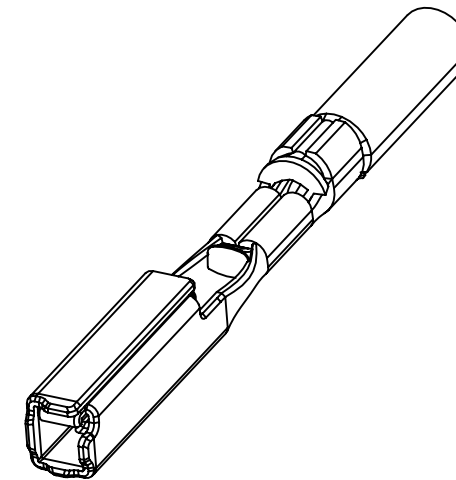
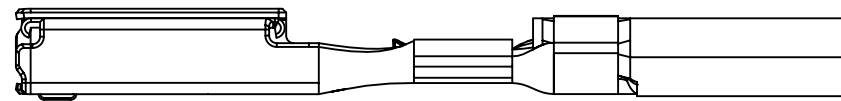
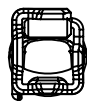
SECTION EE-EE
TYPICAL

BOTH EDGES COINED
ON SIDE OPPOSITE
DIRECTION OF PUNCH
ALONG ENTIRE LENGTH



MOLEX MX64 RECEPTACLE TERMINAL INFORMATION

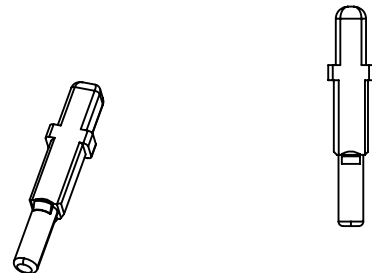
ITEM	MOLEX P/N	GM P/N	WIRE SIZE MM2	TYPE	PLATING	REEL WIND DIRECTION	COMMENTS
1	34736-0025		0.35	ISO	SILVER	LEFT	
2	34736-0026	12672850	0.35	ISO	SILVER	RIGHT	
3	34736-0027		0.5 / 0.75	ISO	SILVER	LEFT	
4	34736-0028	12672851	0.5 / 0.75	ISO	SILVER	RIGHT	



CAVITY PLUGS

ITEM	MFG	MFG P/N	GM P/N RD	SIZE	COLOR	MFG DRAWING	PROD SPEC	APP SPEC	COMMENTS
1	MOLEX	34586-0001	12674820	0.64	NATURAL	SD-34586-001	PS-34566-0000	AS-34566-001	
2	YAZAKI	7158-3114-90	12674821	2.8	BLUE	7158-3114-90	YPES-11-04-062	YPES-15-299	

ITEM 1



ITEM 2

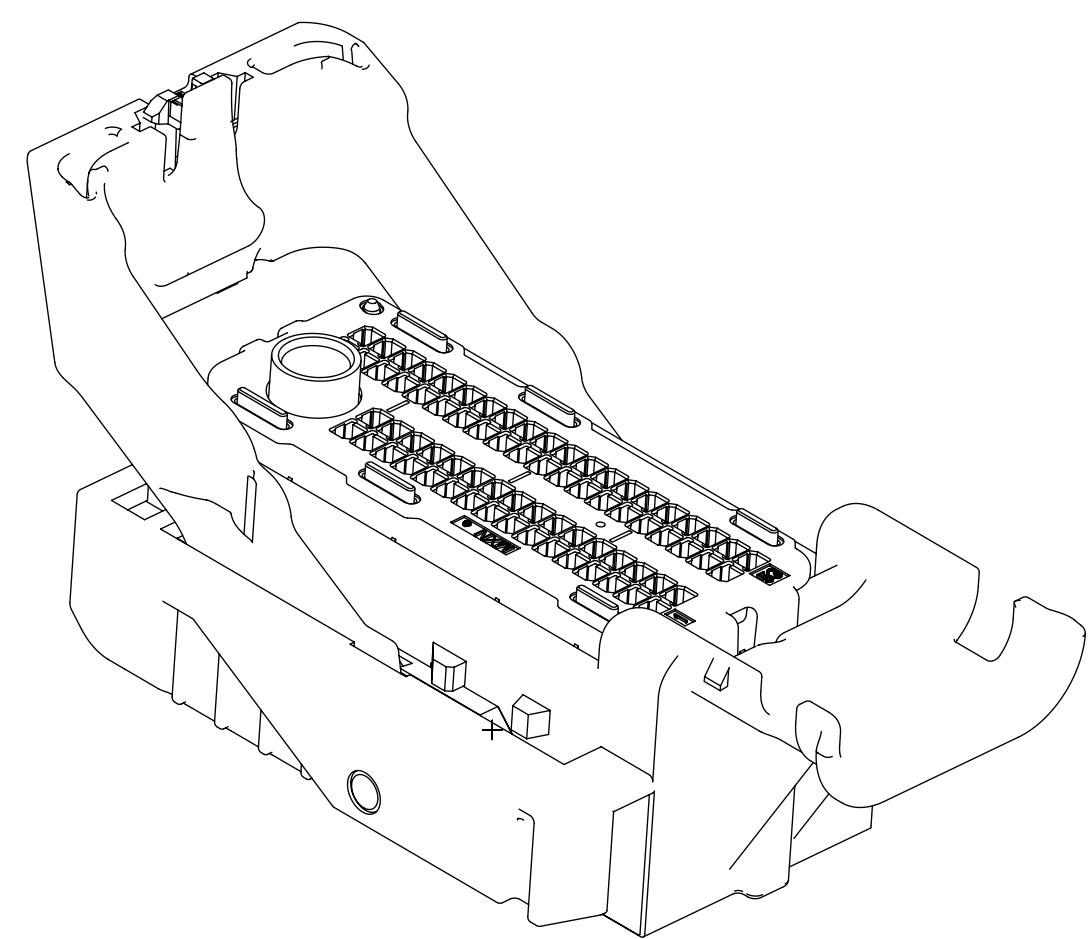


PAGE TITLE
ADDITIONAL COMPONENTS REQUIRED

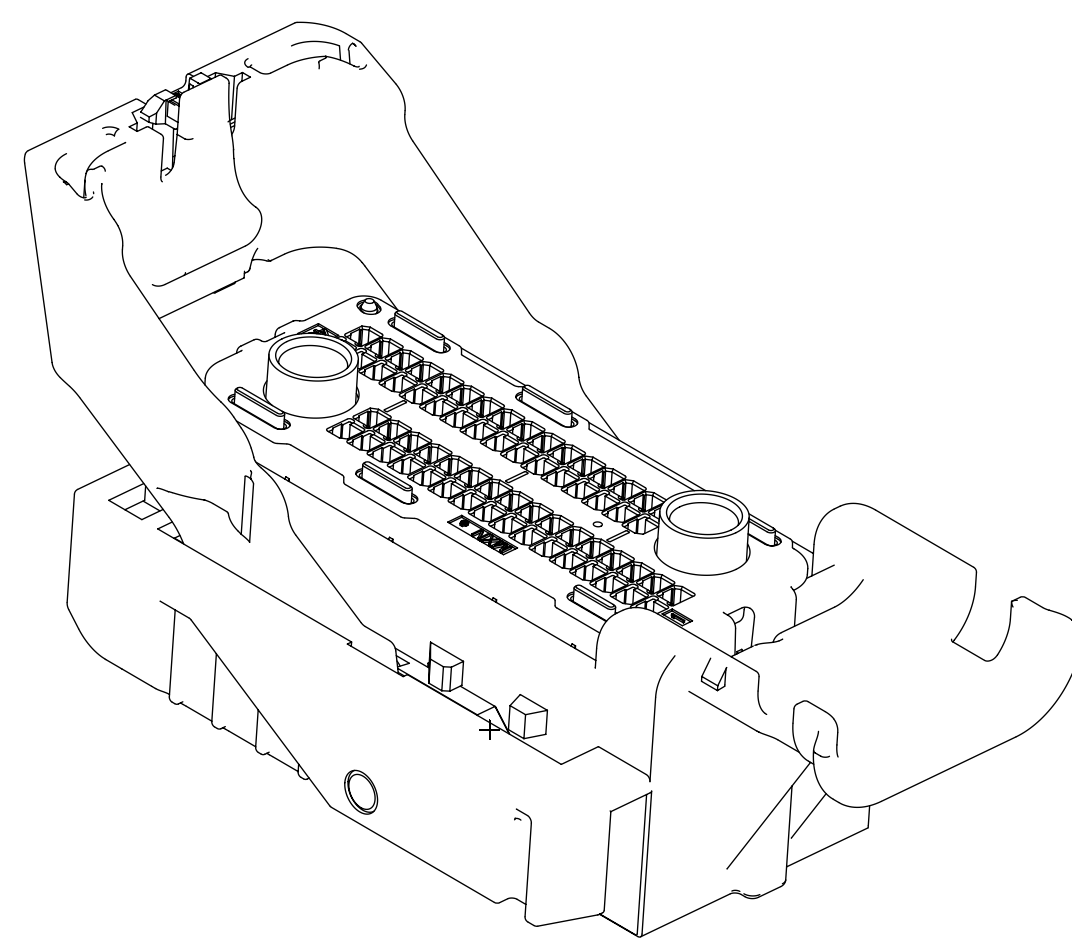
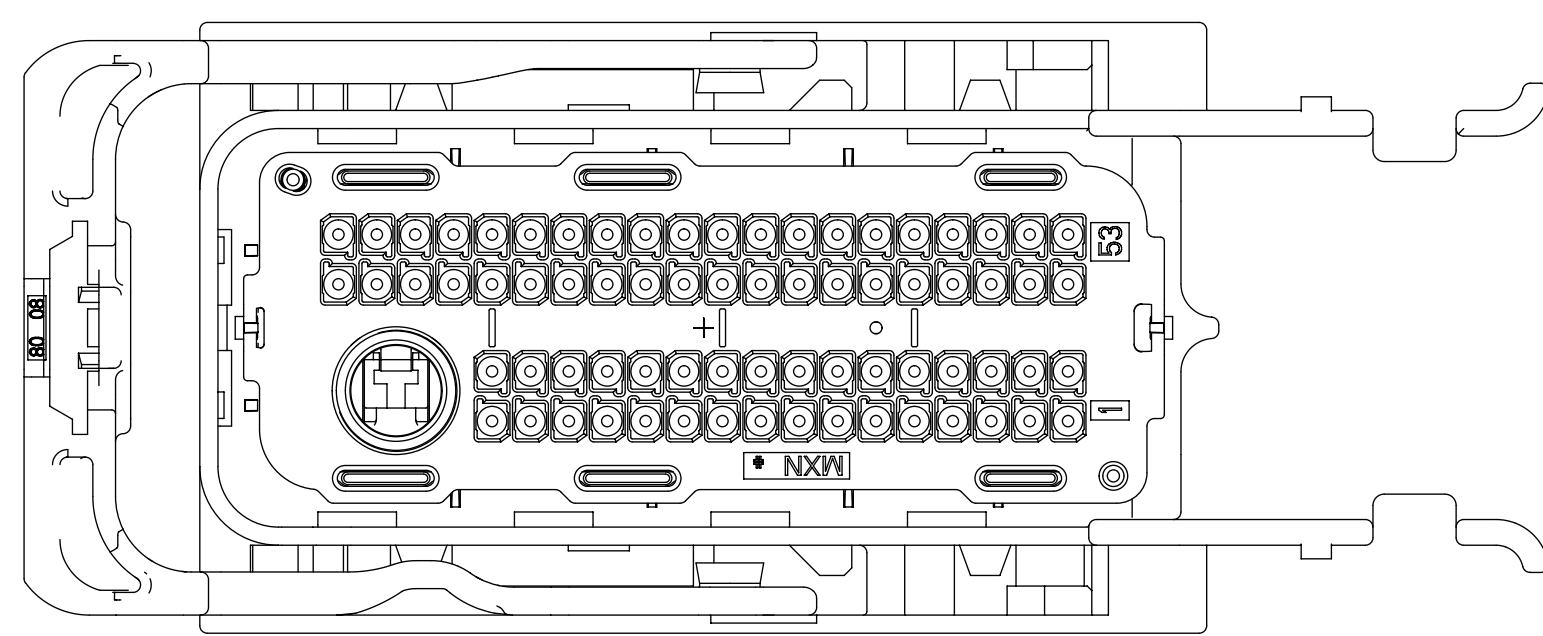
DRAWING NUMBER
12672833

DWG STATUS		
ST	REV	PD1
R	001	

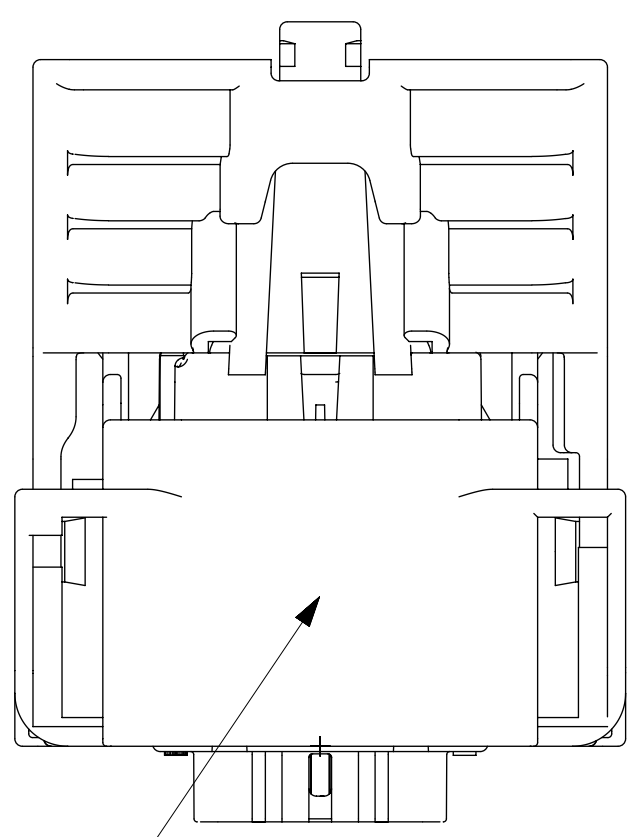
PAGE NUMBER
22 OF 22



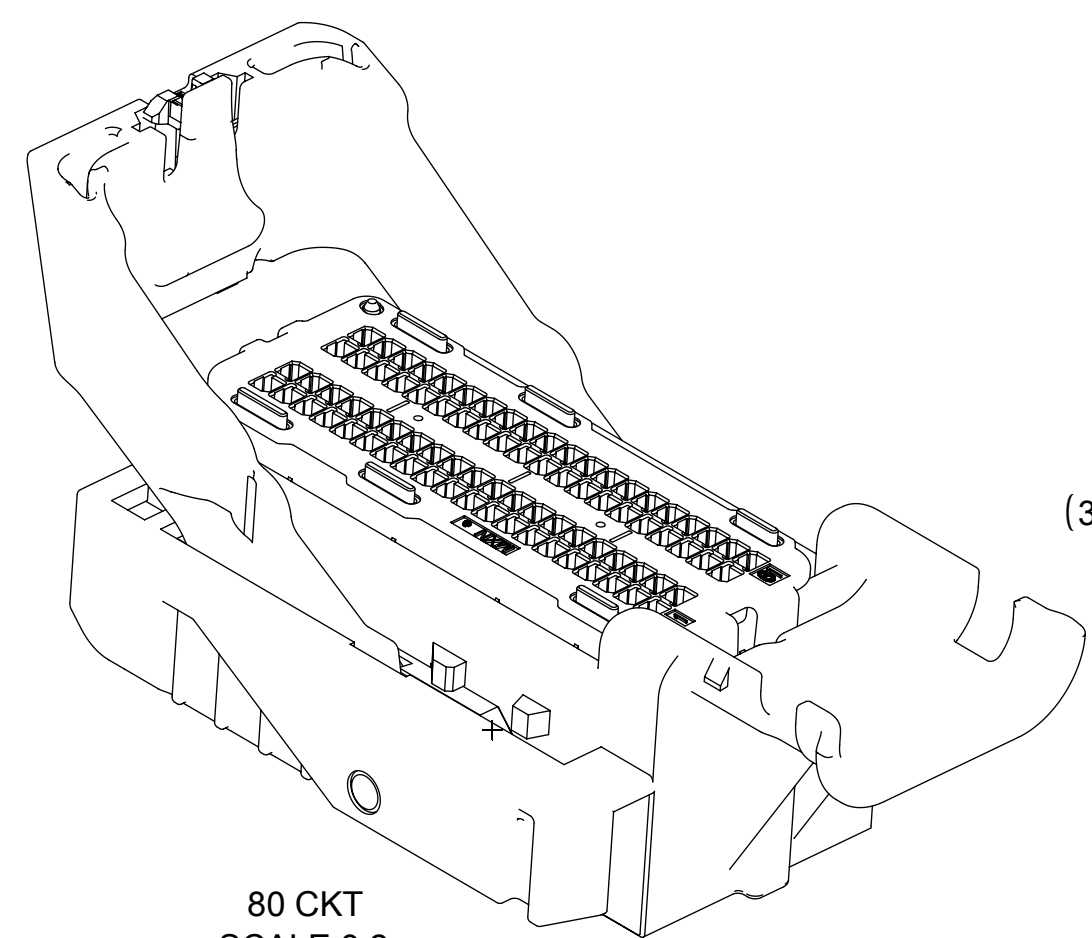
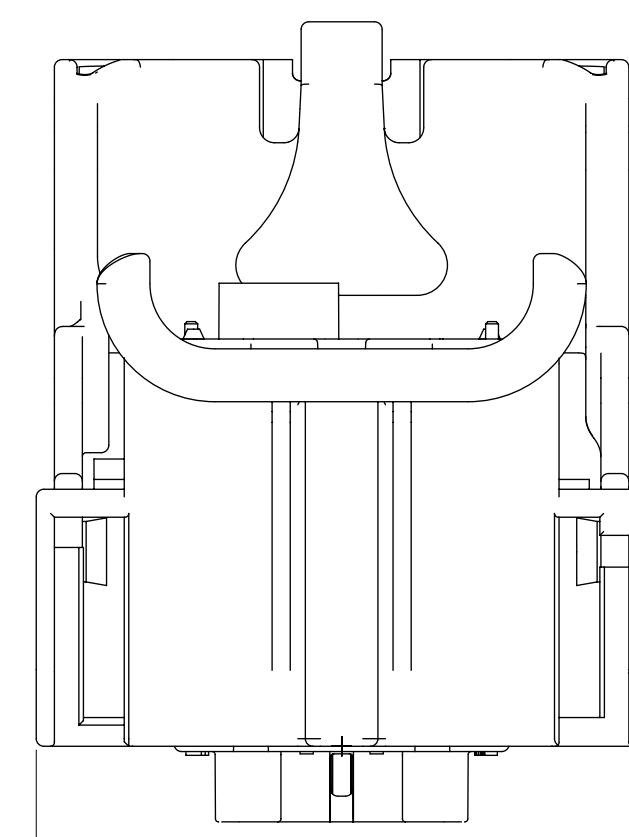
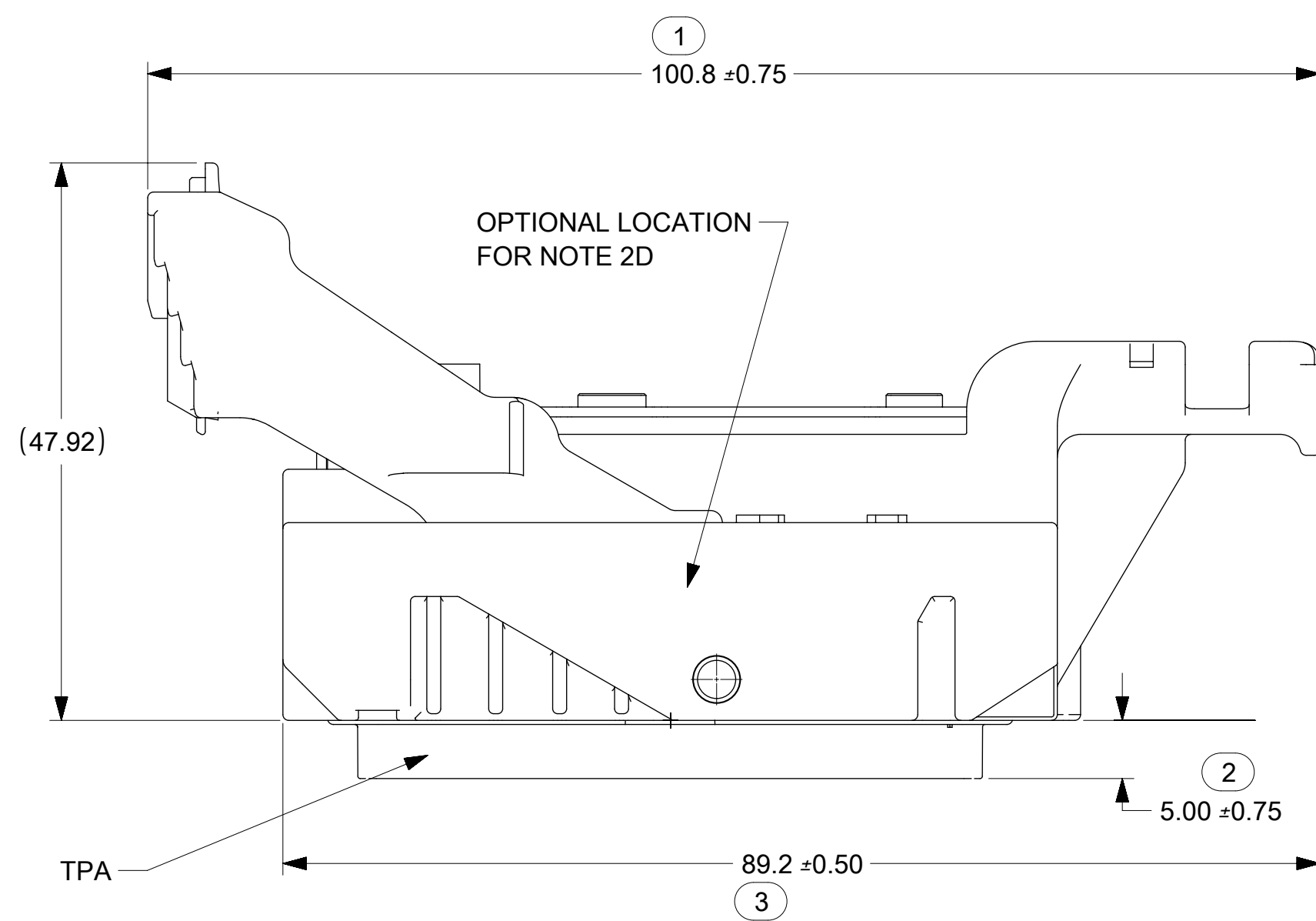
73 CKT
SCALE 3:2



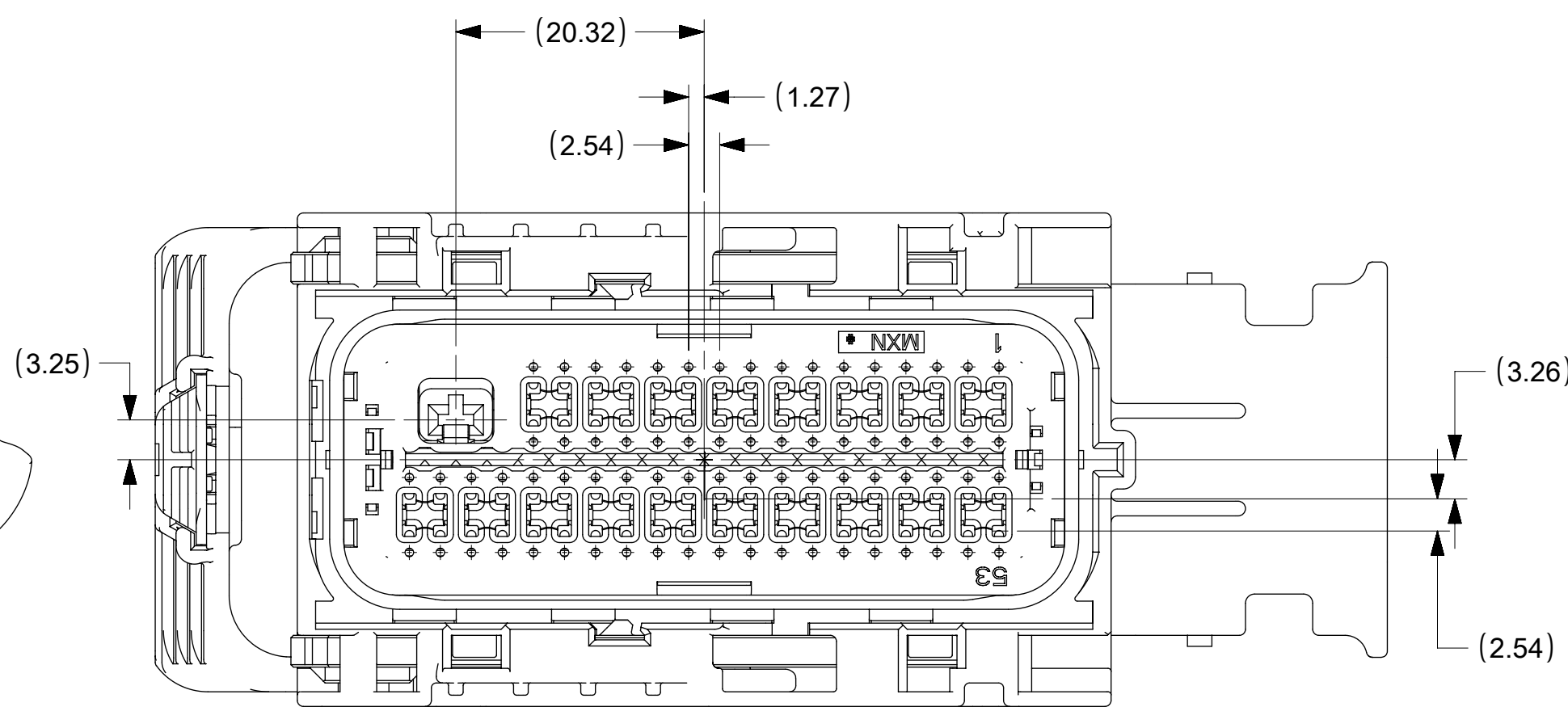
66 CKT
SCALE 3:2



RECOMMENDED LOCATION
FOR NOTE 2D



80 CKT
SCALE 3:2



NOTES: UNLESS OTHERWISE SPECIFIED

1. MATERIAL:

- A. RESIN: SEE COMPONENT DRAWINGS
- B. COLOR: SEE TABLE

2. DESIGN - GENERAL:

- A. THIS IS A 100% CAD GENERATED PART. THE CAD MATHEMATICAL DATA IS THE MASTER FOR THIS PART. FOR DIMENSIONAL OR ANY INFORMATION NOT SHOWN ON THIS DRAWING, ANALYZE THE CAD MODEL.
- B. TOLERANCES:
 - a. LINEAR X.X ± 0.30
 - X.XX ± 0.10
 - X.XXX ± 0.10
 - b. ANGULAR X° ± 3.0°
- C. CORNERS SHOWN AS SHARP TO BE R 0.2 MAX.
- D. FOLLOWING PRODUCTION CODES TO BE PERMANENTLY MARKED & HUMAN READABLE TO A LETTER HEIGHT < 3mm.
 - LINE #1: MATERIAL #:XXXX-XXXX
 - LINE #2: DATE CODE: JJYY (JULIAN DAY, LAST DIGIT OF YEAR)
 - LINE #3: INSPECTION MACHINE CODE + SERIAL #: X_XXXX
- E-1. PARTS MUST BE FREE OF DISCOLORATION, SALT RESIDUE AND OTHER IMPERFECTIONS THAT AFFECT FIT OR FUNCTION.
- E-2. SCRATCHES OR DENTS NOT TO EXCEED 0.13mm IN DEPTH.
- F. CHANGES IN DESIGN FROM PART PREVIOUSLY APPROVED REQUIRES PRIOR ENGINEERING APPROVAL. THIS INCLUDES BUT IS NOT LIMITED TO DRAFT, MATERIAL OR PROCESSING.
- G. SHALL CONFORM TO THE FOLLOWING PACKAGING SPECIFICATION:PK-31300-019

3. DESIGN - MANUFACTURING:

- A. DRAFT TO BE WITHIN TOLERANCE.
- B. ALLOWABLE FLASH 0.2 MAX HIGH X 0.13 MAX THICK.
- C. ALLOWABLE PARTING LINE MISMATCH 0.2 MAX.
- D. EJECTOR PINS MARK TO BE FLUSH TO 0.25 MAX DEPRESSED.
- E. ALLOWABLE GATE VESTIGE TO BE FLUSH TO 0.25 MAX PROTRUSION.

4. SYSTEM REQUIREMENTS:

WHEN TESTED TO SAE/USCAR-2 REV: 3, APRIL 2001, AND GMW #3191, AUGUST 22, 2000 (DRAFT).

- A. TPA (WITHOUT TERMINALS)
 - a. INSERTION FORCE FROM PRE-SET TO LOCK: ≥20N
 - b. REMOVAL FORCE FROM PRE-SET: ≥20N
- B. CPA
 - a. INSERTION FORCE FROM PRE-SET TO LOCK WITH CONNECTOR UN-MATED: ≥60N
 - b. REMOVAL FORCE FROM PRE-SET: ≥30N
- C. GROMMET CAP
 - a. REMOVAL FORCE FROM HOUSING WITH ENGAGED LATCHES: ≥110N
- D. MATE ASSIST LEVER
 - a. INADVERTENT ACTUATION FORCE DURING SHIPPING, HANDLING OR PRE-ASSEMBLY: ≥190N

G49	ADD NEW PIN CONFIGURATION 34566-8443 34566-8453 34566-8463 34566-8473 34566-8483 34566-8493 34566-8513 34566-8523 34566-8533
G48	ADD NEW PIN CONFIGURATION 34566-8393 34566-8413 34566-8423 34566-8433
G47	SHEETS SEQUENCE ARE CORRECTED
G46	ADD NEW PIN CONFIGURATION 34566-8223 34566-8233 34566-8243 34566-8253 34566-8263 34566-8273 34566-8283 34566-8293 34566-8313 34566-8323 34566-8333 34566-8343 34566-8353 34566-8363 34566-8373 34566-8383
G45	NX RE-MASTERING
G44	ADD NEW PIN CONFIGURATION 34566-8173
G43	ADD NEW PIN CONFIGURATION 34566-8163 34566-2493 SAME AS P/N 34566-3863
G42	ADD PART NUMBERS 34566-8153
G42	ADD PART NUMBERS 34566-8153
G41	CHANGED THE GM PART NUMBER IN SHEET 5
G40	ADD PART NUMBERS 34566-8123 34566-8133 34566-8143
REV	DESCRIPTION

QUALITY SYMBOLS	THIS DRAWING CONTAINS INFORMATION THAT IS PROPRIETARY TO MOLEX ELECTRONIC TECHNOLOGIES, LLC AND SHOULD NOT BE USED WITHOUT WRITTEN PERMISSION		DIMENSION UNITS		SCALE
			MM	2:1	
F = 0	2017/03/27	2017/03/30	GENERAL TOLERANCES (UNLESS SPECIFIED)		DRWN BY
					DATE
E = 0	115012	TYE	ANGULAR TOL ±		SKRAJENDRANA
					DATE
D = 0	CHKD:	JDENG02	4 PLACES ±		MVANSLAMBROU
					DATE
C = 0	REV:	APPR:	3 PLACES ±		SKRAJENDRANA
					DATE
X = 0	G49	REV:	2 PLACES ±		2016/08/22
■ = 0	EC NO: 115012		1 PLACE ±		PRODUCT CUSTOMER DRAWING
	DRWN: TYE		0 PLACES ±		SERIES
▽ = 0	CHKD: JDENG02		DRAFT WHERE APPLICABLE MUST REMAIN WITHIN DIMENSIONS		MATERIAL NUMBER
	REV: APPR: JDENG02				CUSTOMER
			DRAWING SIZE		THIRD ANGLE PROJECTION
			D		34566
					SEE BOM TABLE
					GENERAL MARKET
					DOCUMENT NUMBER
					SD-34566-001
					DOC TYPE
					PSD
					DOC PART
					000
					SHEET NUMBER
					1 OF 92

molex

MX123
66/73/80CKT HRNS CONN ASSY

PRODUCT CUSTOMER DRAWING

SERIES MATERIAL NUMBER CUSTOMER

34566 SEE BOM TABLE GENERAL MARKET

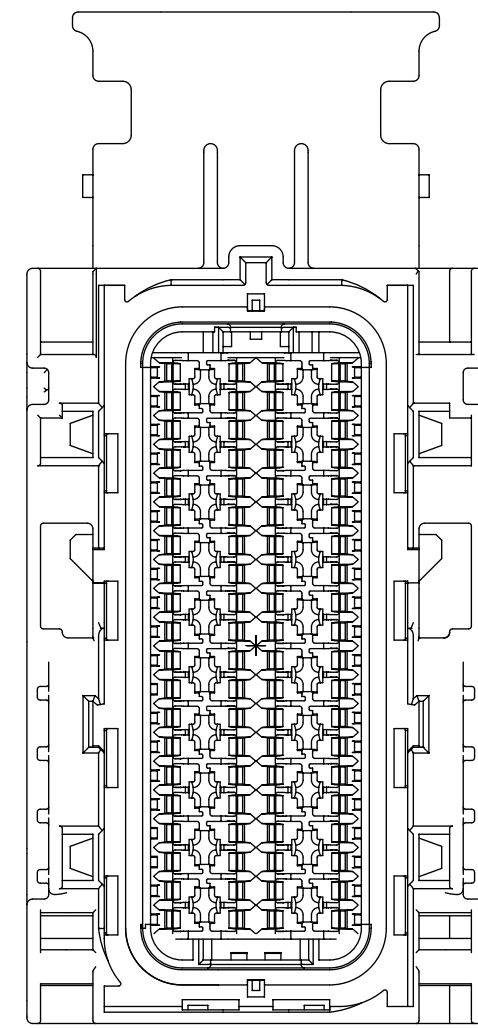
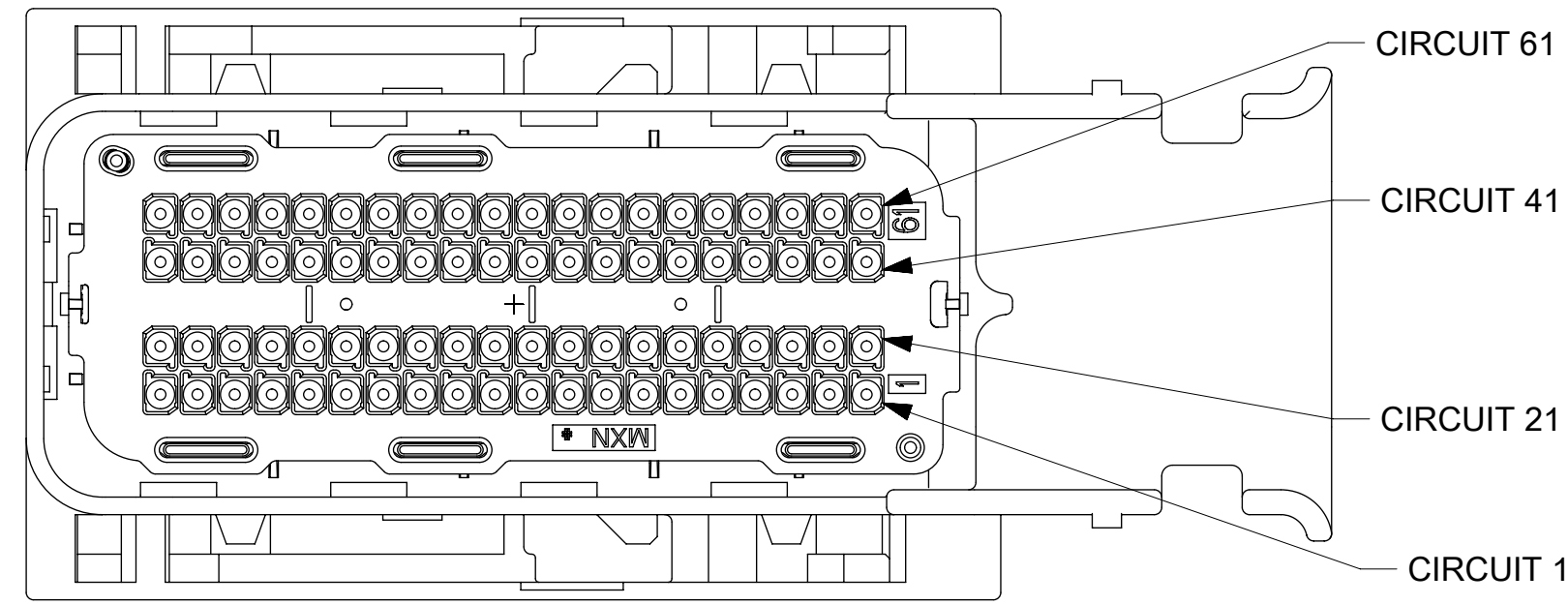
DOCUMENT NUMBER DOC TYPE DOC PART SHEET NUMBER

SD-34566-001 PSD 000 1 OF 92

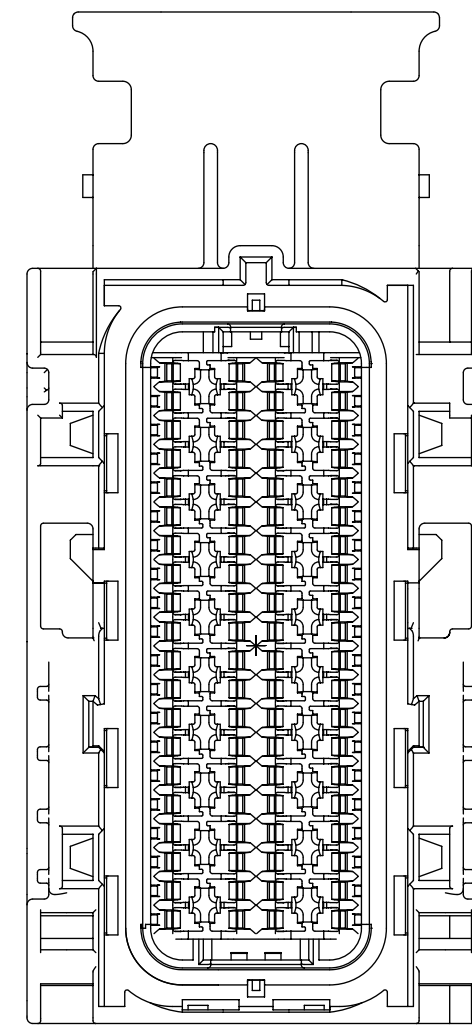
80 CKT

HOUSING ONLY, SHOWN FOR CLARITY

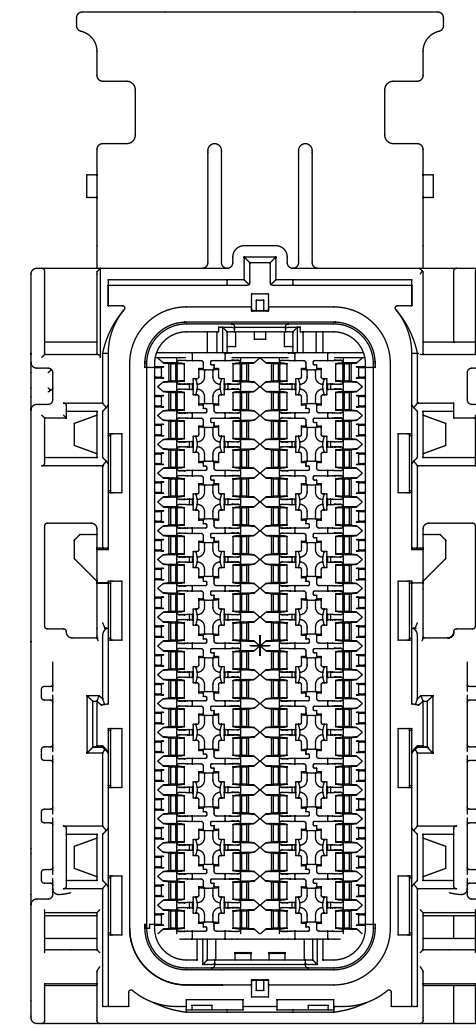
WIRE DRESS OPTION 0



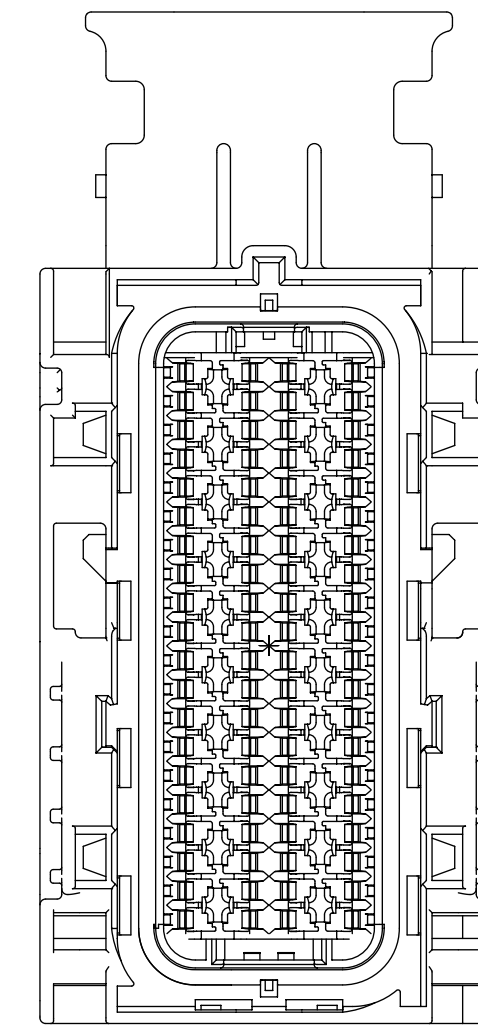
KEY G



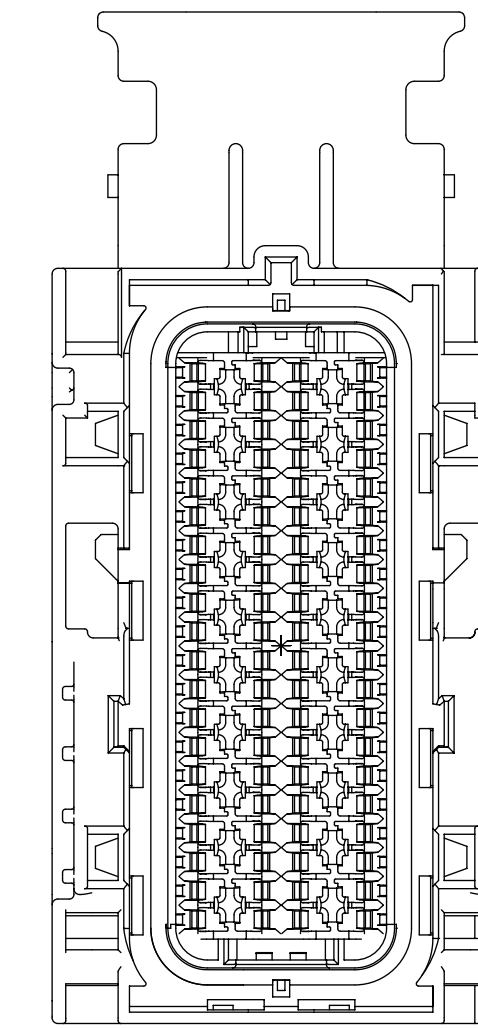
KEY H



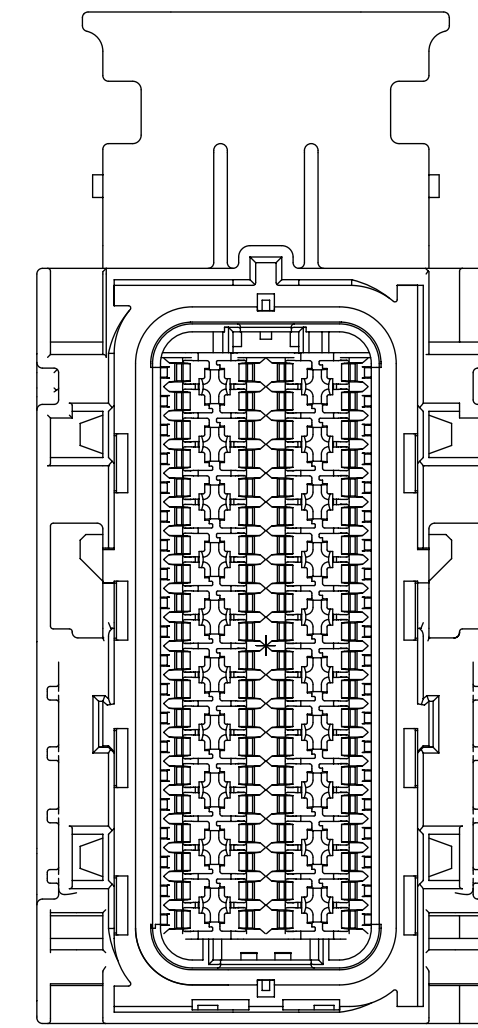
KEY J



KEY K

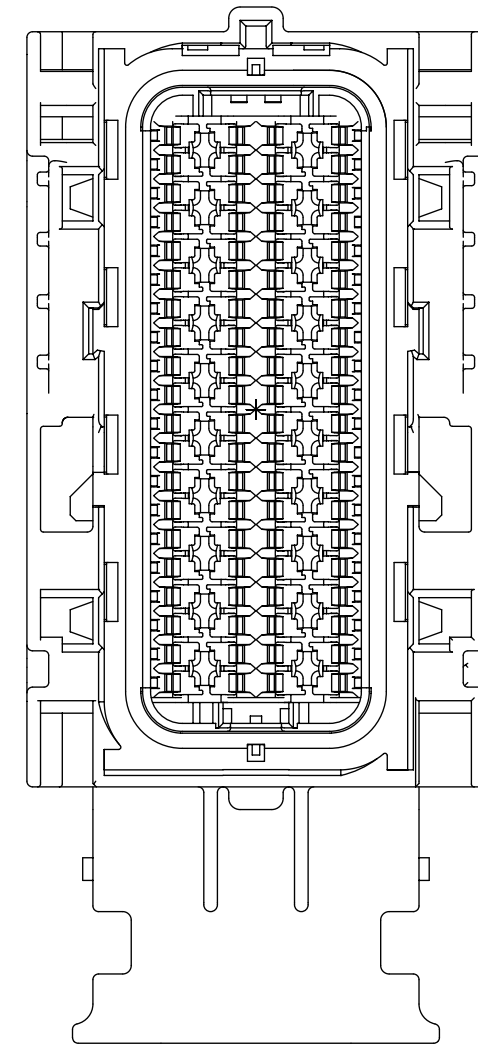
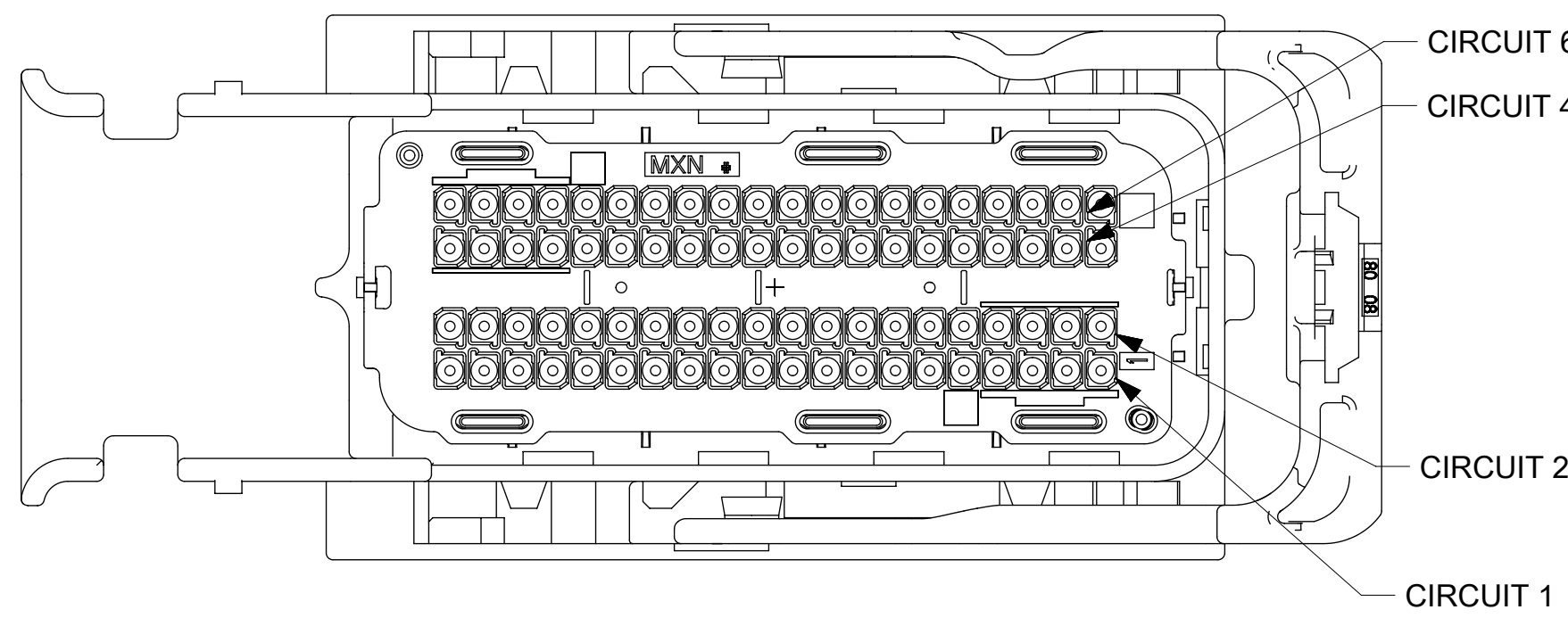


KEY L

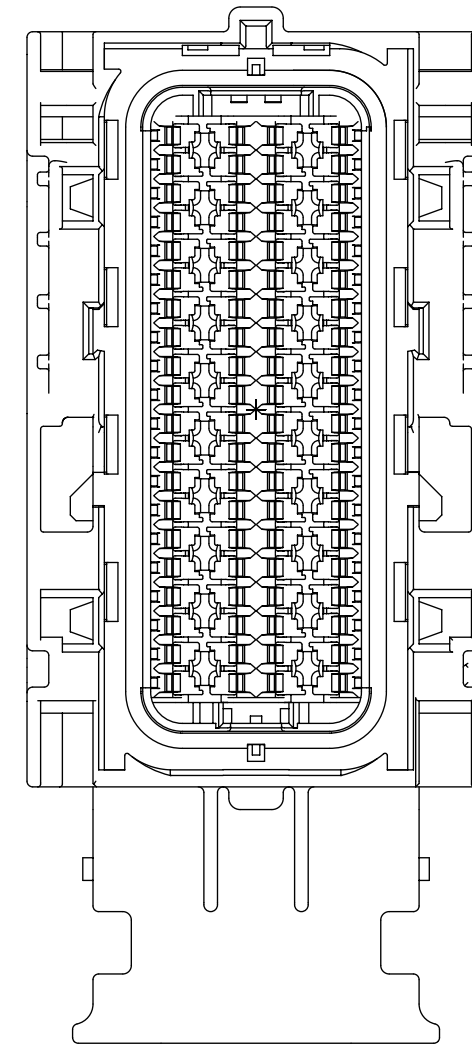


KEY M

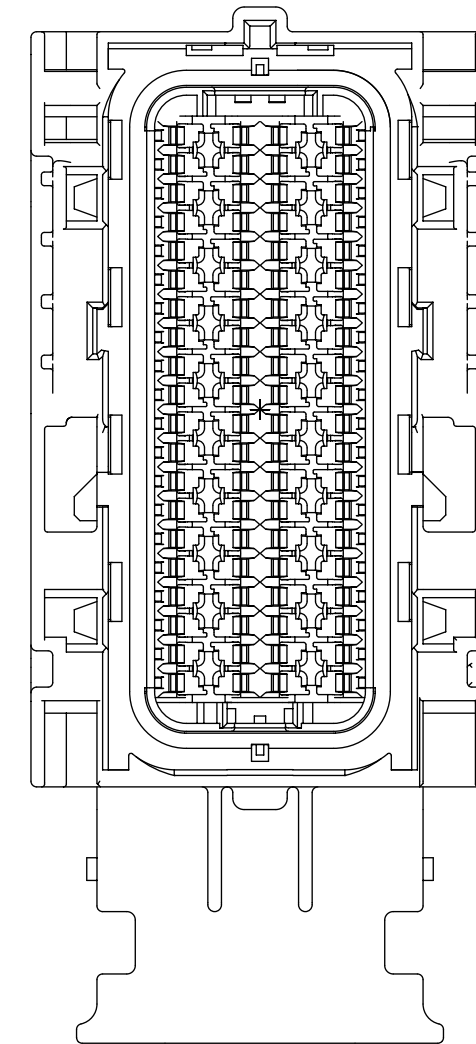
WIRE DRESS OPTION 9



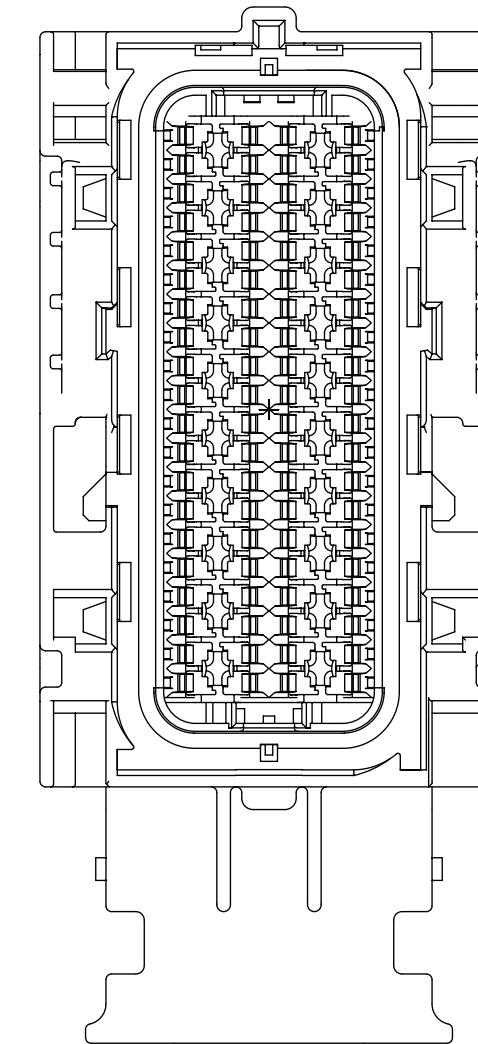
KEY G



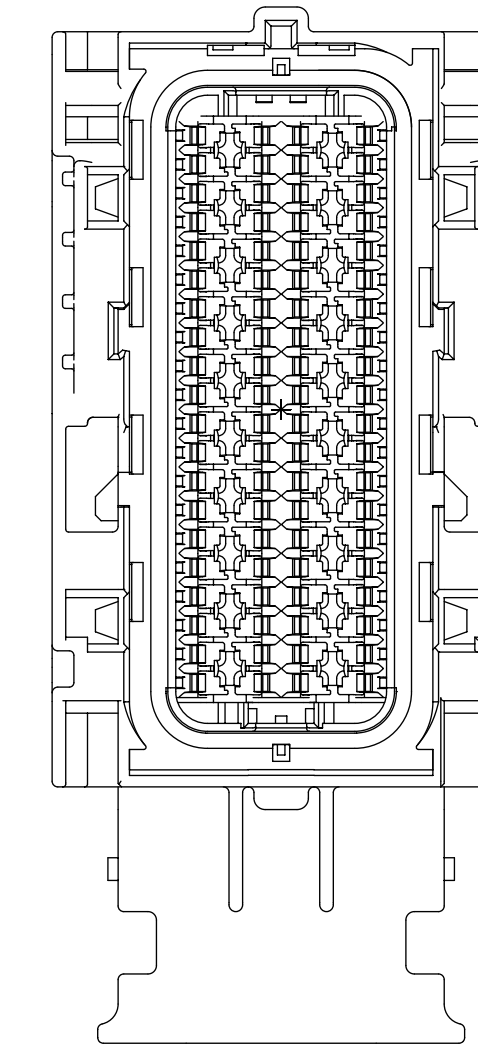
KEY H



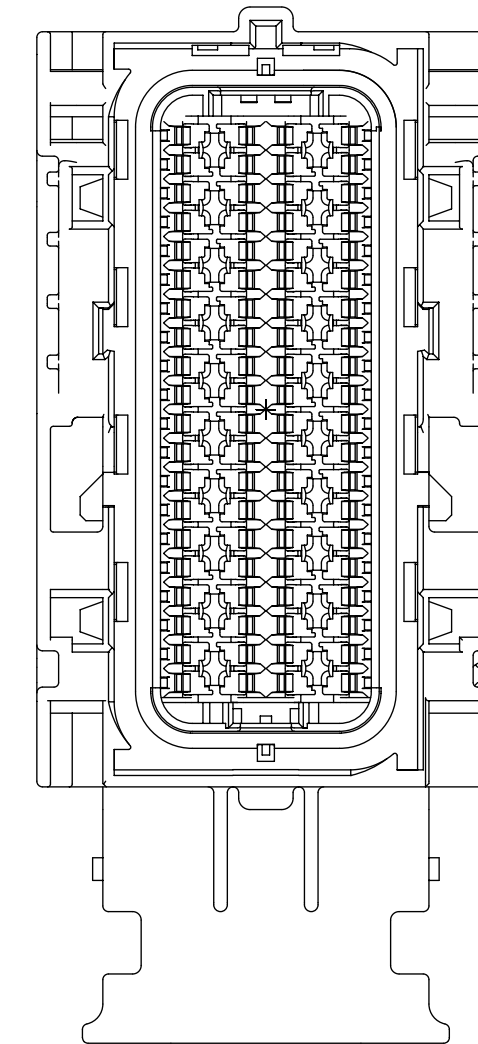
KEY J



KEY K



KEY L



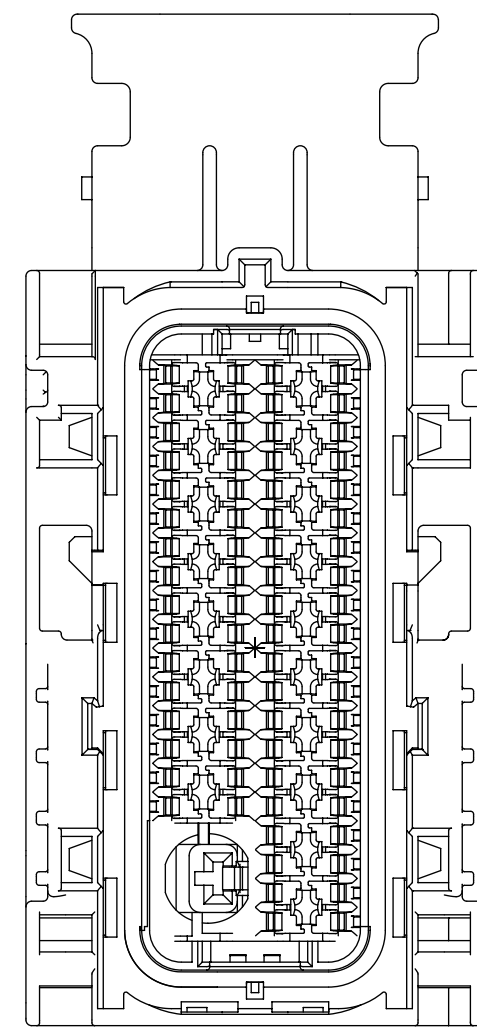
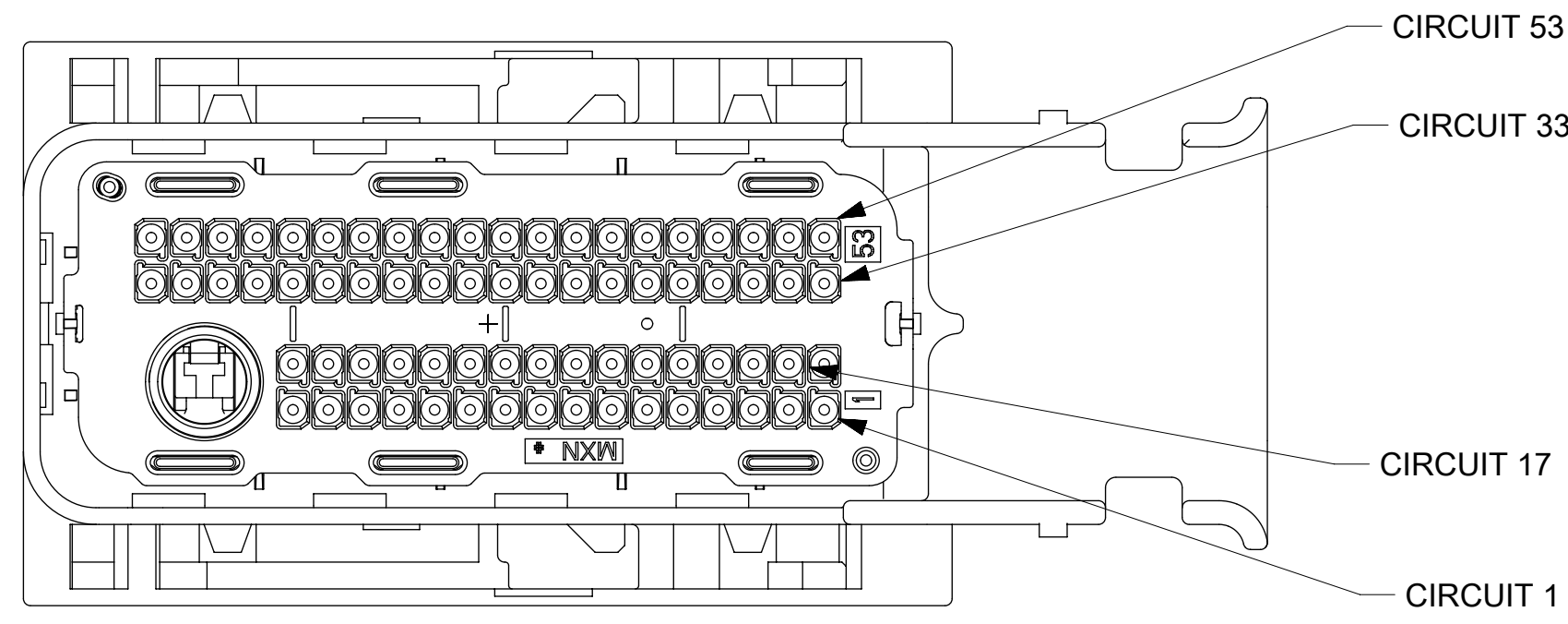
KEY M

QUALITY SYMBOLS F = 0 E = 0 D = 0 C = 0 B = 0 A = 0 G49	THIS DRAWING CONTAINS INFORMATION THAT IS PROPRIETARY TO MOLEX ELECTRONIC TECHNOLOGIES, LLC AND SHOULD NOT BE USED WITHOUT WRITTEN PERMISSION			
	2017/03/27	2017/03/30	GENERAL TOLERANCES (UNLESS SPECIFIED)	DIMENSION UNITS
				MM
			ANGULAR TOL ±	SCALE
			4 PLACES ±	1.5:1
			3 PLACES ±	DRWN BY
			2 PLACES ±	SKRAJENDRANA
			1 PLACE ±	DATE
			0 PLACES ±	2011/02/14
			DRAFT WHERE APPLICABLE MUST REMAIN WITHIN DIMENSIONS	CHKD BY
			MVANSLAMBROU	
			DATE	
			2011/02/14	
			APPR BY	
			SKRAJENDRANA	
			DATE	
			2016/08/22	
			DRAWING SIZE	
			D	
			THIRD ANGLE PROJECTION	
			molex MX123 66/73/80CKT HRNS CONN ASSY	
			PRODUCT CUSTOMER DRAWING	
			SERIES	
			34566	
			MATERIAL NUMBER	
			SEE BOM TABLE	
			CUSTOMER	
			GENERAL MARKET	
			DOCUMENT NUMBER	
			SD-34566-001	
			DOC TYPE	
			PSD	
			DOC PART	
			000	
			SHEET NUMBER	
			2 OF 92	

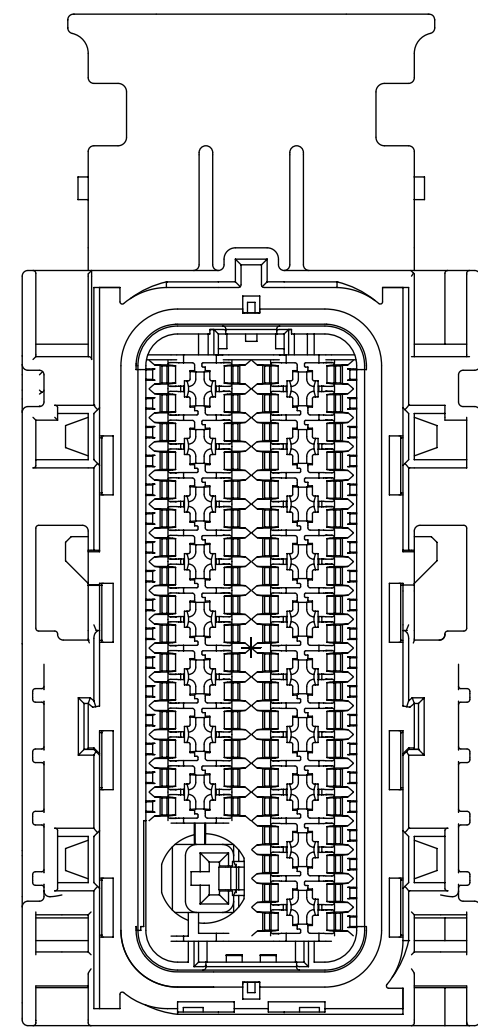
73 CKT

WIRE DRESS OPTION 0

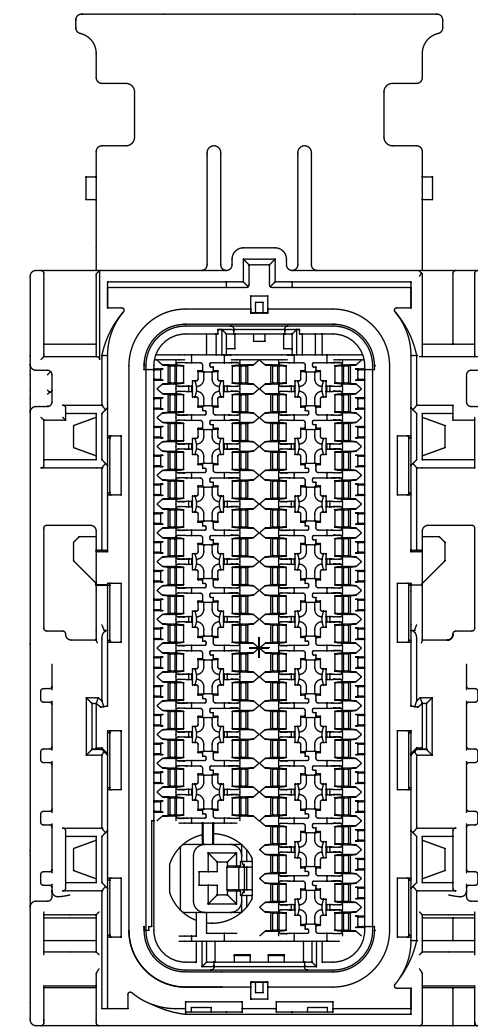
HOUSING ONLY, SHOWN FOR CLARITY



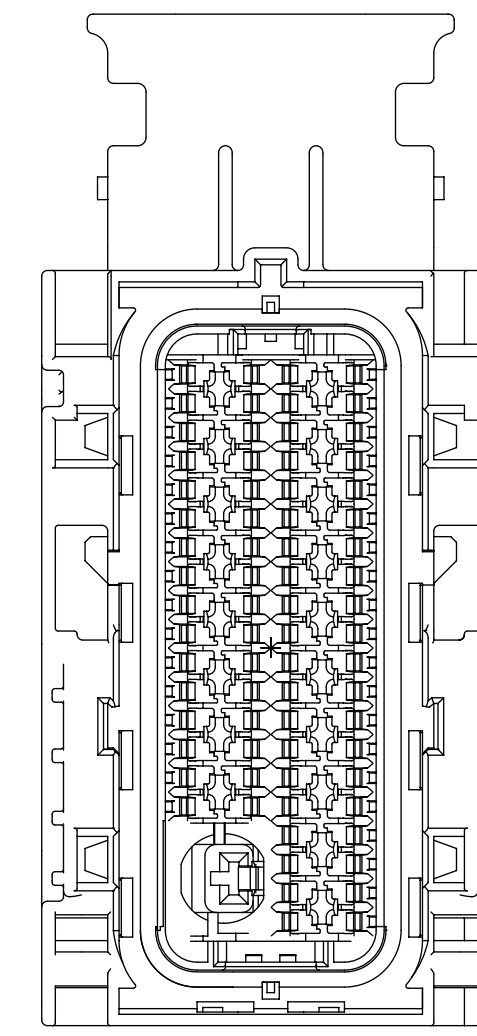
KEY A



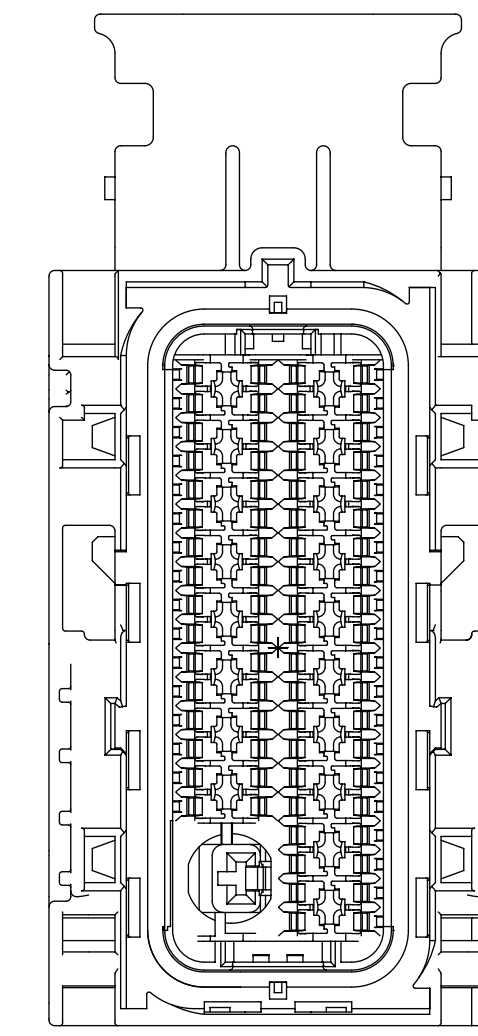
KEY B



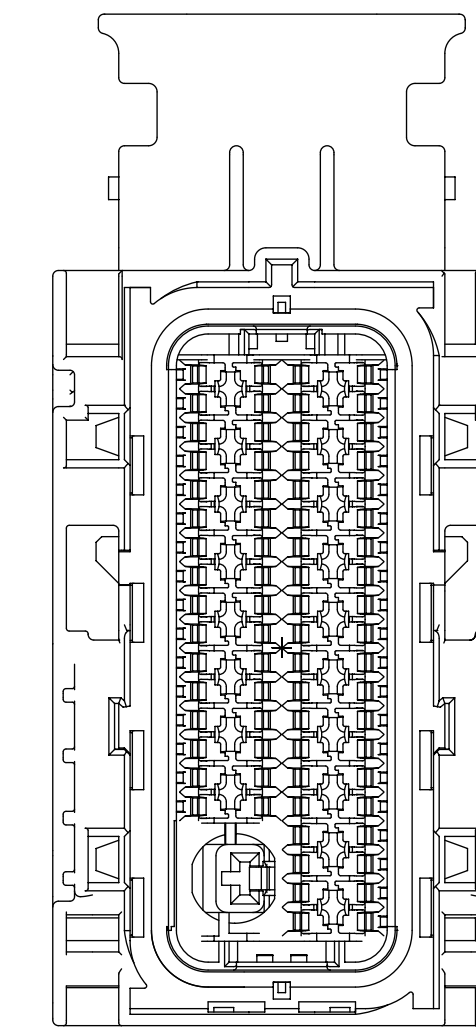
KEY C



KEY D

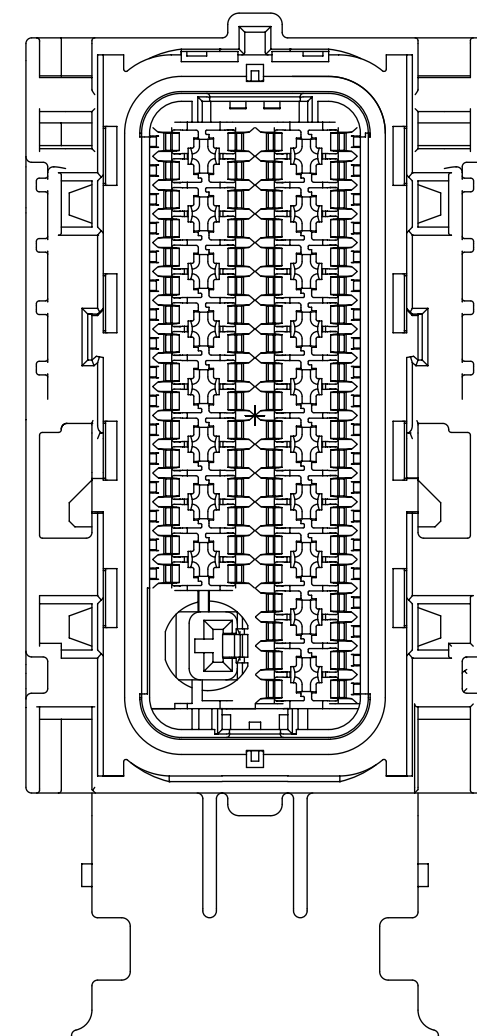
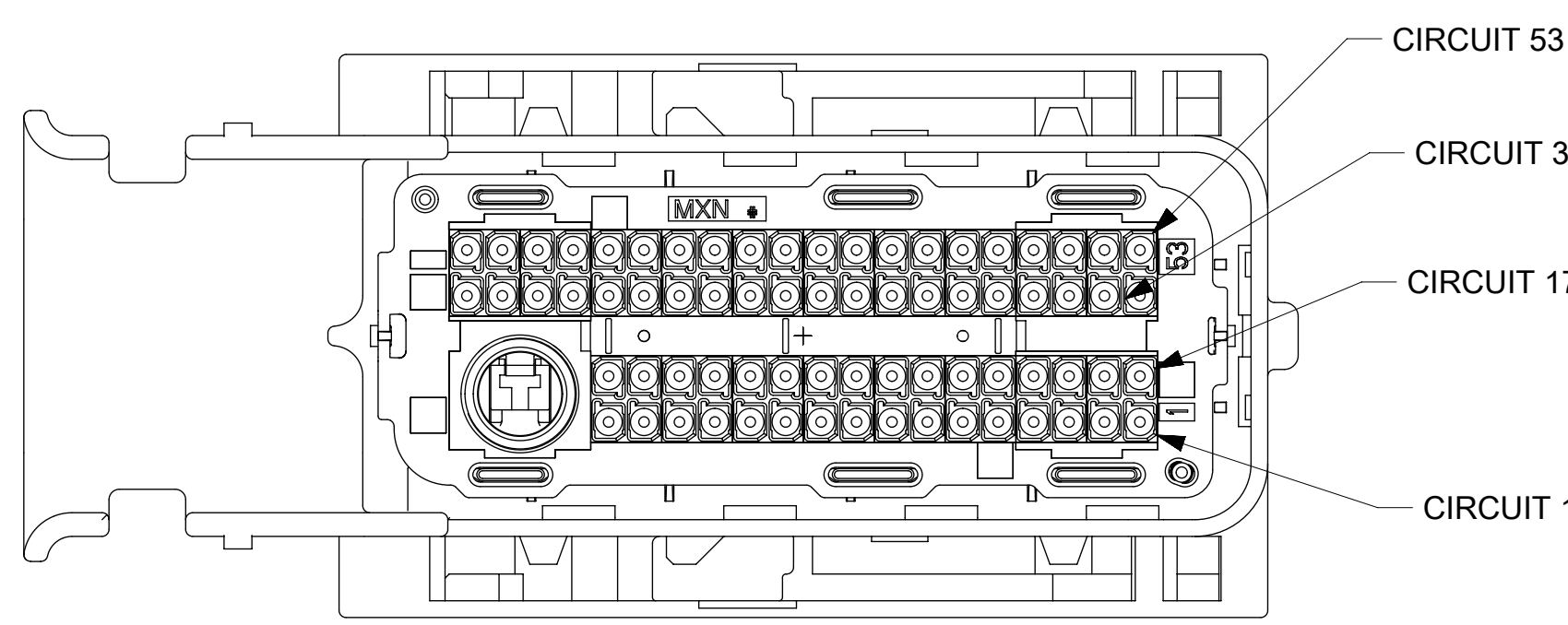


KEY E

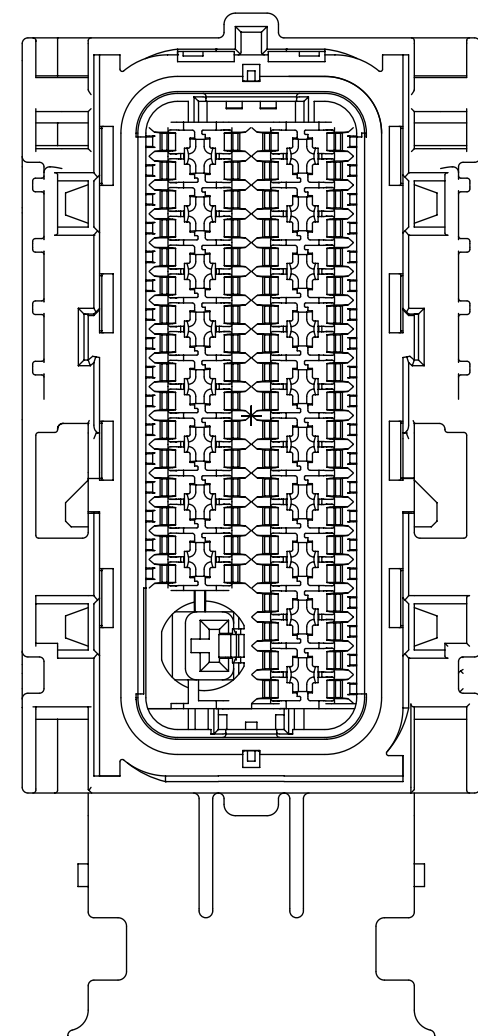


KEY F

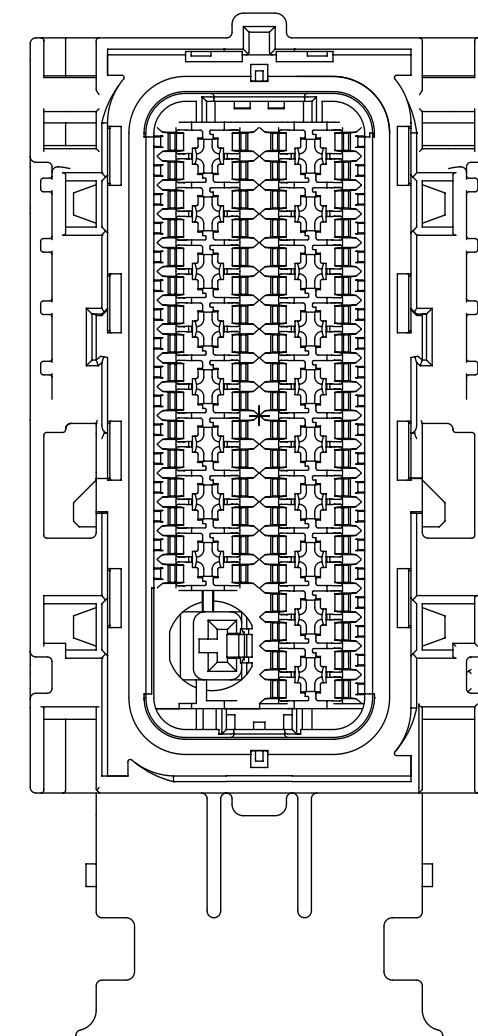
WIRE DRESS OPTION 9



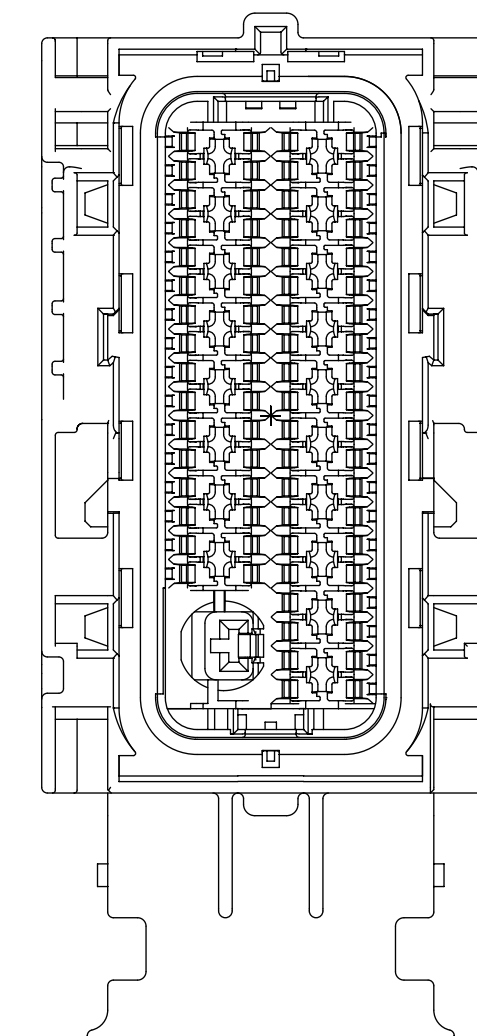
KEY A



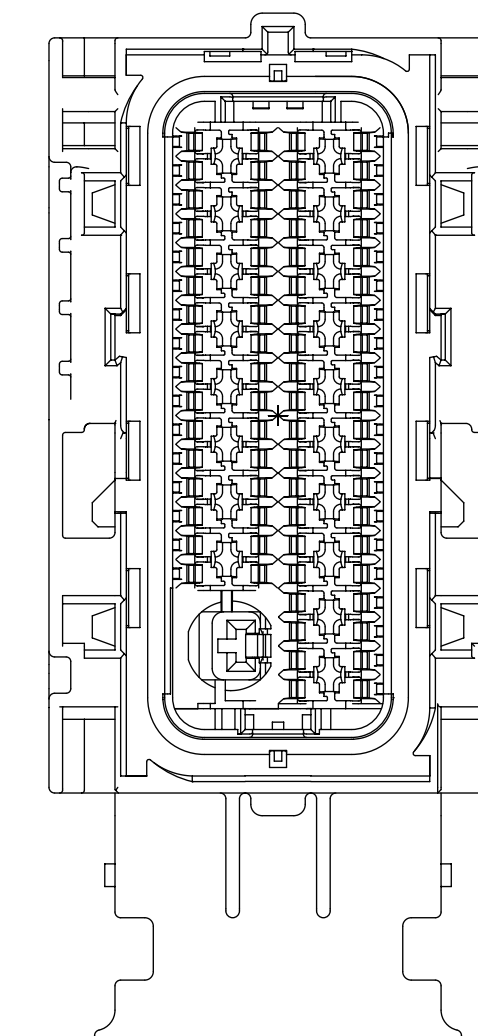
KEY B



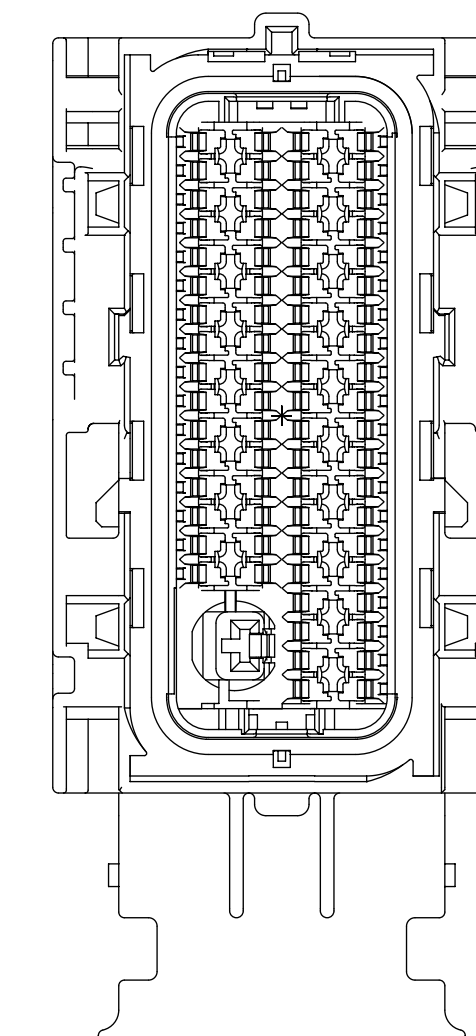
KEY C



KEY D



KEY E



KEY F

<p>QUALITY SYMBOLS</p> <p>F = 0</p> <p>E = 0</p> <p>F = 0</p> <p>▽ = 0</p> <p>C = 0</p> <p>⊠ = 0</p> <p>■ = 0</p> <p>▽ = 0</p>	THIS DRAWING CONTAINS INFORMATION THAT IS PROPRIETARY TO MOLEX ELECTRONIC TECHNOLOGIES, LLC AND SHOULD NOT BE USED WITHOUT WRITTEN PERMISSION									
	2017/03/27	2017/03/30	GENERAL TOLERANCES (UNLESS SPECIFIED)		DIMENSION UNITS	SCALE				
	MM	1.5:1								
	DRWN BY	DATE	ANGULAR TOL ± °		SKRAJENDRANA	2011/02/14	MX123			
	4 PLACES ±	3 PLACES ±	CHKD BY		DATE	66/73/80CKT HRNS CONN ASSY				
	3 PLACES ±	2 PLACES ±	APPR BY		DATE	PRODUCT CUSTOMER DRAWING				
	2 PLACES ±	1 PLACE ±	SKRAJENDRANA		2016/08/22	SERIES	MATERIAL NUMBER	CUSTOMER		
	1 PLACE ±	0 PLACES ±	DRAWING SIZE		THIRD ANGLE PROJECTION	34566	SEE BOM TABLE	GENERAL MARKET		
	0 PLACES ±	DRAFT WHERE APPLICABLE MUST REMAIN WITHIN DIMENSIONS		D		DOCUMENT NUMBER	DOC TYPE	DOC PART	SHEET NUMBER	
	G49	SD-34566-001	PSD	000	3 OF 92					

STATUS	GM PART #	MATERIAL #	WIRE DRESS OPTION	KEY OPTION	COLOR (TPA)	NUMBERS INDICATE CAVITIES OPEN FOR CIRCUITS																																																																																																																					
						<table border="1"> <tr><td>72</td><td>71</td><td>70</td><td>69</td><td>68</td><td>67</td><td>66</td><td>65</td><td>64</td><td>63</td><td>62</td><td>61</td><td>60</td><td>59</td><td>58</td><td>57</td><td>56</td><td>55</td><td>54</td><td>53</td><td>52</td><td>51</td><td>50</td><td>49</td><td>48</td><td>47</td><td>46</td><td>45</td><td>44</td><td>43</td><td>42</td><td>41</td><td>40</td><td>39</td><td>38</td><td>37</td><td>36</td><td>35</td><td>34</td><td>33</td></tr> <tr><td colspan="4">73</td><td>32</td><td>31</td><td>30</td><td>29</td><td>28</td><td>27</td><td>26</td><td>25</td><td>24</td><td>23</td><td>22</td><td>21</td><td>20</td><td>19</td><td>18</td><td>17</td><td colspan="10"></td></tr> <tr><td colspan="4">73</td><td>16</td><td>15</td><td>14</td><td>13</td><td>12</td><td>11</td><td>10</td><td>9</td><td>8</td><td>7</td><td>6</td><td>5</td><td>4</td><td>3</td><td>2</td><td>1</td><td colspan="10"></td></tr> </table>																								72	71	70	69	68	67	66	65	64	63	62	61	60	59	58	57	56	55	54	53	52	51	50	49	48	47	46	45	44	43	42	41	40	39	38	37	36	35	34	33	73				32	31	30	29	28	27	26	25	24	23	22	21	20	19	18	17											73				16	15	14	13	12	11	10	9	8	7	6	5	4	3	2	1				
72	71	70	69	68	67	66	65	64	63	62	61	60	59	58	57	56	55	54	53	52	51	50	49	48	47	46	45	44	43	42	41	40	39	38	37	36	35	34	33																																																																																				
73				32	31	30	29	28	27	26	25	24	23	22	21	20	19	18	17																																																																																																								
73				16	15	14	13	12	11	10	9	8	7	6	5	4	3	2	1																																																																																																								
(G41) AVAILABLE	12672860	34566-0103	0	A	BLACK																																																																																																																						
(G41) AVAILABLE	12672862	34566-0203	0	B	ST GRY																																																																																																																						
(G41) AVAILABLE	12672864	34566-0303	0	C	BLUE																																																																																																																						
ACTIVE	12615660	34566-0403	0	D	BROWN																																																																																																																						
ACTIVE	12615661	34566-0503	0	E	GREEN																																																																																																																						
(G41) AVAILABLE	12672866	34566-0603	0	F	NATURAL																																																																																																																						
(G41) AVAILABLE	12672872	34566-0703	0	G	BLUE																																																																																																																						
(G41) AVAILABLE	12672870	34566-0803	0	H	ST GRY																																																																																																																						
(G41) ACTIVE	12672868	34566-0903	0	J	BLACK																																																																																																																						
ACTIVE	TBD	34566-1003	0	K	BROWN																																																																																																																						
ACTIVE	TBD	34566-1103	0	L	GREEN																																																																																																																						
ACTIVE	TBD	34566-1203	0	M	NATURAL																																																																																																																						
(G41) AVAILABLE	12672861	34566-1303	9	A	BLACK																																																																																																																						
(G41) AVAILABLE	12672863	34566-1403	9	B	ST GRY																																																																																																																						
(G41) AVAILABLE	12672865	34566-1503	9	C	BLUE																																																																																																																						
ACTIVE	12615663	34566-1603	9	D	BROWN																																																																																																																						
ACTIVE	12615664	34566-1703	9	E	GREEN																																																																																																																						
(G41) AVAILABLE	12672867	34566-1803	9	F	NATURAL																																																																																																																						
(G41) AVAILABLE	12672873	34566-1903	9	G	BLUE																																																																																																																						
(G41) AVAILABLE	12672871	34566-2003	9	H	ST GRY																																																																																																																						
(G41) ACTIVE	12672869	34566-2103	9	J	BLACK																																																																																																																						
ACTIVE	TBD	34566-2203	9	K	BROWN																																																																																																																						
ACTIVE	TBD	34566-2303	9	L	GREEN																																																																																																																						
ACTIVE	TBD	34566-2403	9	M	NATURAL																																																																																																																						
(G41) AVAILABLE	12672856	34822-0013	0	A	BLACK																																																																																																																						
(G41) AVAILABLE	12672858	34822-0033	0	C	BLUE																																																																																																																						
(G41) AVAILABLE	12672857	34822-0023	9	A	BLACK																																																																																																																						
(G41) AVAILABLE	12672859	34822-0043	9	C	BLUE																																																																																																																						
N/A	N/A	N/A	N/A	N/A	N/A																																																																																																																						
AVAILABLE	NOT APPLICABLE	34566-2503	0	A	BLACK																																																																																																																						

SEE NEXT PAGE FOR ADDITIONAL NUMBERS


QUALITY SYMBOLS 	THIS DRAWING CONTAINS INFORMATION THAT IS PROPRIETARY TO MOLEX ELECTRONIC TECHNOLOGIES, LLC AND SHOULD NOT BE USED WITHOUT WRITTEN PERMISSION																					
	EC NO: 115012 DRWN: TYE CHKD: REV APPR: JDENG02	2017/03/27 2017/03/30	GENERAL TOLERANCES (UNLESS SPECIFIED) ANGULAR TOL ± ° 4 PLACES ± 3 PLACES ± 2 PLACES ± 1 PLACE ± 0 PLACES ± DRAFT WHERE APPLICABLE MUST REMAIN WITHIN DIMENSIONS	DIMENSION UNITS: MM SCALE: 1:1 DRWN BY: SKRAJENDRANA DATE: 2011/02/14 CHKD BY: MVANSLAMBROU DATE: 2011/02/14 APPR BY: _____ DATE: _____ DRAWING SIZE: D THIRD ANGLE PROJECTION:	 MX123 66/73/80CKT HRNS CONN ASSY PRODUCT CUSTOMER DRAWING	SERIES: 34566 MATERIAL NUMBER: SEE BOM TABLE CUSTOMER: GENERAL MARKET																
RELEASE STATUS 19	RELEASE DATE 18	17	16	15	14	13	12	11	10	9	8	7	6	5	4	3	2	1	DOCUMENT NUMBER SD-34566-001	DOC TYPE PSD	DOC PART 000	SHEET NUMBER 5 OF 92

STATUS	GM PART #	MATERIAL #	WIRE DRESS OPTION	KEY OPTION	COLOR (TPA)	NUMBERS INDICATE CAVITIES OPEN FOR CIRCUITS																																																																																
AVAILABLE	NOT APPLICABLE	34566-4403	0	A	BLACK	<table border="1"> <tr><td>72</td><td>71</td><td>70</td><td>69</td><td>68</td><td>67</td><td>66</td><td>65</td><td>64</td><td>63</td><td></td><td>61</td><td></td><td>59</td><td>58</td><td>57</td><td>56</td><td></td><td></td><td></td></tr> <tr><td></td><td></td><td>50</td><td>49</td><td>48</td><td>47</td><td></td><td></td><td></td><td></td><td></td><td>41</td><td></td><td></td><td>38</td><td>37</td><td>36</td><td></td><td>34</td><td>33</td></tr> <tr><td colspan="4">73</td><td>32</td><td>31</td><td>30</td><td>29</td><td>28</td><td>27</td><td></td><td></td><td>24</td><td>23</td><td></td><td>20</td><td>19</td><td>18</td><td></td><td></td></tr> <tr><td colspan="4"></td><td>16</td><td></td><td></td><td>13</td><td>12</td><td>11</td><td>10</td><td>9</td><td></td><td></td><td>6</td><td></td><td>4</td><td></td><td></td><td></td></tr> </table>	72	71	70	69	68	67	66	65	64	63		61		59	58	57	56						50	49	48	47						41			38	37	36		34	33	73				32	31	30	29	28	27			24	23		20	19	18							16			13	12	11	10	9			6		4			
72	71	70	69	68	67	66	65	64	63		61		59	58	57	56																																																																						
		50	49	48	47						41			38	37	36		34	33																																																																			
73				32	31	30	29	28	27			24	23		20	19	18																																																																					
				16			13	12	11	10	9			6		4																																																																						
AVAILABLE	NOT APPLICABLE	34566-4503	0	H	ST GRY	<table border="1"> <tr><td></td><td>79</td><td>78</td><td>77</td><td>76</td><td>75</td><td>74</td><td>73</td><td>72</td><td>71</td><td>70</td><td>69</td><td>68</td><td></td><td>66</td><td>65</td><td>64</td><td>63</td><td></td><td>61</td></tr> <tr><td>60</td><td>59</td><td>58</td><td>57</td><td>56</td><td></td><td></td><td>53</td><td></td><td></td><td>50</td><td></td><td></td><td></td><td></td><td></td><td>44</td><td>43</td><td></td><td>41</td></tr> <tr><td>40</td><td>39</td><td>38</td><td>37</td><td></td><td>35</td><td>34</td><td>33</td><td>32</td><td></td><td>30</td><td>29</td><td></td><td>27</td><td>26</td><td></td><td>24</td><td>23</td><td>22</td><td>21</td></tr> <tr><td>20</td><td>19</td><td>18</td><td>17</td><td></td><td></td><td></td><td>13</td><td>12</td><td>11</td><td></td><td></td><td>8</td><td></td><td>6</td><td>5</td><td></td><td>3</td><td>2</td><td></td></tr> </table>		79	78	77	76	75	74	73	72	71	70	69	68		66	65	64	63		61	60	59	58	57	56			53			50						44	43		41	40	39	38	37		35	34	33	32		30	29		27	26		24	23	22	21	20	19	18	17				13	12	11			8		6	5		3	2	
	79	78	77	76	75	74	73	72	71	70	69	68		66	65	64	63		61																																																																			
60	59	58	57	56			53			50						44	43		41																																																																			
40	39	38	37		35	34	33	32		30	29		27	26		24	23	22	21																																																																			
20	19	18	17				13	12	11			8		6	5		3	2																																																																				
AVAILABLE	NOT APPLICABLE	34566-4603	0	H	ST GRY	<table border="1"> <tr><td></td><td>79</td><td>78</td><td>77</td><td>76</td><td>75</td><td>74</td><td>73</td><td>72</td><td>71</td><td>70</td><td>69</td><td>68</td><td></td><td>66</td><td>65</td><td>64</td><td>63</td><td></td><td>61</td></tr> <tr><td>60</td><td>59</td><td>58</td><td>57</td><td>56</td><td></td><td></td><td>53</td><td></td><td></td><td>50</td><td></td><td></td><td></td><td></td><td></td><td>44</td><td>43</td><td></td><td>41</td></tr> <tr><td>40</td><td>39</td><td>38</td><td>37</td><td></td><td>35</td><td>34</td><td>33</td><td>32</td><td></td><td>30</td><td>29</td><td></td><td>27</td><td>26</td><td></td><td>24</td><td>23</td><td>22</td><td>21</td></tr> <tr><td>20</td><td>19</td><td>18</td><td>17</td><td></td><td></td><td></td><td>13</td><td>12</td><td></td><td></td><td></td><td>8</td><td></td><td>6</td><td>5</td><td></td><td>3</td><td>2</td><td></td></tr> </table>		79	78	77	76	75	74	73	72	71	70	69	68		66	65	64	63		61	60	59	58	57	56			53			50						44	43		41	40	39	38	37		35	34	33	32		30	29		27	26		24	23	22	21	20	19	18	17				13	12				8		6	5		3	2	
	79	78	77	76	75	74	73	72	71	70	69	68		66	65	64	63		61																																																																			
60	59	58	57	56			53			50						44	43		41																																																																			
40	39	38	37		35	34	33	32		30	29		27	26		24	23	22	21																																																																			
20	19	18	17				13	12				8		6	5		3	2																																																																				
AVAILABLE	NOT APPLICABLE	34566-4703	0	B	ST GRY	<table border="1"> <tr><td></td><td></td><td></td><td></td><td></td><td>67</td><td>66</td><td>65</td><td>64</td><td></td><td></td><td></td><td></td><td></td><td>59</td><td>58</td><td>57</td><td></td><td>55</td><td>53</td></tr> <tr><td></td><td></td><td></td><td>49</td><td>48</td><td>47</td><td></td><td></td><td>44</td><td></td><td></td><td></td><td></td><td></td><td>39</td><td>38</td><td>37</td><td></td><td>35</td><td>33</td></tr> <tr><td colspan="4">73</td><td></td><td></td><td></td><td></td><td>29</td><td></td><td></td><td></td><td></td><td>23</td><td>22</td><td>21</td><td></td><td></td><td></td><td></td></tr> <tr><td colspan="4"></td><td></td><td></td><td></td><td></td><td>12</td><td></td><td></td><td>9</td><td></td><td>7</td><td></td><td></td><td></td><td></td><td></td><td></td></tr> </table>						67	66	65	64						59	58	57		55	53				49	48	47			44						39	38	37		35	33	73								29					23	22	21													12			9		7						
					67	66	65	64						59	58	57		55	53																																																																			
			49	48	47			44						39	38	37		35	33																																																																			
73								29					23	22	21																																																																							
								12			9		7																																																																									
AVAILABLE	NOT APPLICABLE	34566-4803	0	A	BLACK	<table border="1"> <tr><td>72</td><td>71</td><td></td><td>69</td><td>68</td><td>67</td><td>66</td><td></td><td>64</td><td>63</td><td>62</td><td>61</td><td></td><td>59</td><td></td><td></td><td></td><td></td><td></td><td>53</td></tr> <tr><td></td><td></td><td></td><td></td><td>48</td><td></td><td></td><td></td><td>44</td><td></td><td>42</td><td>41</td><td></td><td>39</td><td></td><td></td><td></td><td>35</td><td></td><td>33</td></tr> <tr><td colspan="4">73</td><td>32</td><td></td><td></td><td>29</td><td></td><td>27</td><td></td><td>25</td><td>23</td><td></td><td></td><td></td><td></td><td></td><td></td><td>17</td></tr> <tr><td colspan="4"></td><td></td><td></td><td></td><td>13</td><td>12</td><td>11</td><td></td><td>9</td><td>8</td><td></td><td></td><td>5</td><td>4</td><td>3</td><td>2</td><td>1</td></tr> </table>	72	71		69	68	67	66		64	63	62	61		59						53					48				44		42	41		39				35		33	73				32			29		27		25	23							17								13	12	11		9	8			5	4	3	2	1
72	71		69	68	67	66		64	63	62	61		59						53																																																																			
				48				44		42	41		39				35		33																																																																			
73				32			29		27		25	23							17																																																																			
							13	12	11		9	8			5	4	3	2	1																																																																			
AVAILABLE	NOT APPLICABLE	34566-4903	0	A	BLACK	<table border="1"> <tr><td>72</td><td>71</td><td>70</td><td>69</td><td>68</td><td></td><td>66</td><td>65</td><td>64</td><td>63</td><td>62</td><td>61</td><td></td><td>59</td><td>58</td><td>57</td><td>56</td><td>55</td><td></td><td></td></tr> <tr><td>52</td><td>51</td><td>50</td><td>49</td><td></td><td>47</td><td></td><td></td><td>44</td><td>43</td><td></td><td>41</td><td></td><td></td><td>38</td><td>37</td><td>36</td><td>35</td><td>34</td><td>33</td></tr> <tr><td colspan="4">73</td><td>32</td><td>31</td><td>30</td><td>29</td><td>28</td><td>27</td><td></td><td></td><td>24</td><td>23</td><td></td><td></td><td>20</td><td>19</td><td>18</td><td>17</td></tr> <tr><td colspan="4"></td><td>16</td><td>15</td><td>14</td><td>13</td><td>12</td><td>11</td><td>10</td><td>9</td><td></td><td></td><td></td><td></td><td></td><td></td><td>2</td><td>1</td></tr> </table>	72	71	70	69	68		66	65	64	63	62	61		59	58	57	56	55			52	51	50	49		47			44	43		41			38	37	36	35	34	33	73				32	31	30	29	28	27			24	23			20	19	18	17					16	15	14	13	12	11	10	9							2	1
72	71	70	69	68		66	65	64	63	62	61		59	58	57	56	55																																																																					
52	51	50	49		47			44	43		41			38	37	36	35	34	33																																																																			
73				32	31	30	29	28	27			24	23			20	19	18	17																																																																			
				16	15	14	13	12	11	10	9							2	1																																																																			
AVAILABLE	NOT APPLICABLE	34566-5003	0	H	ST GRY	<table border="1"> <tr><td></td><td>79</td><td>78</td><td>77</td><td>76</td><td>75</td><td>74</td><td>73</td><td>72</td><td>71</td><td>70</td><td>69</td><td>68</td><td></td><td>66</td><td>65</td><td>64</td><td>63</td><td></td><td>61</td></tr> <tr><td>60</td><td>59</td><td>58</td><td>57</td><td>56</td><td></td><td></td><td>53</td><td>52</td><td></td><td>50</td><td></td><td></td><td></td><td></td><td></td><td>44</td><td>43</td><td></td><td>41</td></tr> <tr><td>40</td><td>39</td><td>38</td><td>37</td><td></td><td>35</td><td>34</td><td>33</td><td>32</td><td></td><td>30</td><td>29</td><td></td><td>27</td><td>26</td><td></td><td></td><td></td><td>22</td><td>21</td></tr> <tr><td>20</td><td>19</td><td>18</td><td>17</td><td>16</td><td></td><td>14</td><td>13</td><td>12</td><td>11</td><td>10</td><td>9</td><td>8</td><td></td><td>6</td><td>5</td><td></td><td>3</td><td>2</td><td></td></tr> </table>		79	78	77	76	75	74	73	72	71	70	69	68		66	65	64	63		61	60	59	58	57	56			53	52		50						44	43		41	40	39	38	37		35	34	33	32		30	29		27	26				22	21	20	19	18	17	16		14	13	12	11	10	9	8		6	5		3	2	
	79	78	77	76	75	74	73	72	71	70	69	68		66	65	64	63		61																																																																			
60	59	58	57	56			53	52		50						44	43		41																																																																			
40	39	38	37		35	34	33	32		30	29		27	26				22	21																																																																			
20	19	18	17	16		14	13	12	11	10	9	8		6	5		3	2																																																																				
AVAILABLE	NOT APPLICABLE	34566-5103	0	B	ST GRY	<table border="1"> <tr><td></td><td></td><td></td><td></td><td></td><td>67</td><td>66</td><td>65</td><td></td><td></td><td></td><td></td><td></td><td></td><td>59</td><td>57</td><td>55</td><td></td><td>53</td></tr> <tr><td></td><td></td><td></td><td>49</td><td>48</td><td>47</td><td>46</td><td></td><td>44</td><td></td><td></td><td></td><td></td><td></td><td>39</td><td>37</td><td>35</td><td></td><td>33</td></tr> <tr><td colspan="4">73</td><td></td><td></td><td></td><td></td><td>29</td><td>28</td><td></td><td></td><td></td><td>23</td><td>21</td><td></td><td></td><td></td><td></td><td></td></tr> <tr><td colspan="4"></td><td></td><td></td><td></td><td></td><td></td><td></td><td></td><td></td><td>7</td><td></td><td></td><td></td><td></td><td></td><td></td><td></td></tr> </table>						67	66	65							59	57	55		53				49	48	47	46		44						39	37	35		33	73								29	28				23	21																		7									
					67	66	65							59	57	55		53																																																																				
			49	48	47	46		44						39	37	35		33																																																																				
73								29	28				23	21																																																																								
												7																																																																										

SEE NEXT PAGE FOR ADDITIONAL NUMBERS


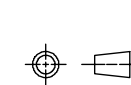
QUALITY SYMBOLS = 0 = 0 = 0 = 0 = 0 = 0 = 0 = 0 = 0	THIS DRAWING CONTAINS INFORMATION THAT IS PROPRIETARY TO MOLEX ELECTRONIC TECHNOLOGIES, LLC AND SHOULD NOT BE USED WITHOUT WRITTEN PERMISSION										
	2017/03/27	2017/03/30	GENERAL TOLERANCES (UNLESS SPECIFIED)		DIMENSION UNITS	SCALE					
	2017/03/27	2017/03/30	ANGULAR TOL ± °		MM	1:1					
	EC NO: 115012 DRWN: TYE CHKD: REV APPR: JDENG02	4 PLACES ±	SKRAJENDRANA		DATE	2011/02/14		MX123 66/73/80CKT HRNS CONN ASSY PRODUCT CUSTOMER DRAWING			
		3 PLACES ±	MVANSLAMBROU		DATE	2011/02/14					
		2 PLACES ±			DATE						
		1 PLACE ±			DATE						
		0 PLACES ±			DATE						
	DRAFT WHERE APPLICABLE MUST REMAIN WITHIN DIMENSIONS	DRAWING SIZE	THIRD ANGLE PROJECTION		D		SERIES: 34566 MATERIAL NUMBER: SEE BOM TABLE CUSTOMER: GENERAL MARKET				
	DOCUMENT NUMBER: SD-34566-001		DOC TYPE: PSD		DOC PART: 000		SHEET NUMBER: 8 OF 92				

STATUS	GM PART #	MATERIAL #	WIRE DRESS OPTION	KEY OPTION ▽	COLOR (TPA) ▽	NUMBERS INDICATE CAVITIES OPEN FOR CIRCUITS ▽																																																																																
AVAILABLE	NOT APPLICABLE	34566-5203	0	A	BLACK	<table border="1"> <tr><td>72</td><td>71</td><td></td><td>69</td><td>68</td><td>67</td><td>66</td><td></td><td>64</td><td>63</td><td>62</td><td></td><td></td><td>59</td><td>58</td><td>57</td><td>56</td><td></td><td>54</td><td>53</td></tr> <tr><td>52</td><td>51</td><td>50</td><td>49</td><td>48</td><td>47</td><td>46</td><td></td><td>44</td><td>43</td><td>42</td><td></td><td></td><td>39</td><td>38</td><td>37</td><td>36</td><td>35</td><td>34</td><td>33</td></tr> <tr><td colspan="3">73</td><td>32</td><td>31</td><td>30</td><td>29</td><td></td><td>27</td><td></td><td></td><td></td><td>24</td><td>23</td><td>22</td><td>21</td><td>20</td><td>19</td><td></td><td>17</td></tr> <tr><td colspan="3"></td><td>15</td><td>14</td><td>13</td><td>12</td><td>11</td><td></td><td>9</td><td>8</td><td>7</td><td>6</td><td>5</td><td>4</td><td>3</td><td>2</td><td>1</td><td></td><td></td></tr> </table>	72	71		69	68	67	66		64	63	62			59	58	57	56		54	53	52	51	50	49	48	47	46		44	43	42			39	38	37	36	35	34	33	73			32	31	30	29		27				24	23	22	21	20	19		17				15	14	13	12	11		9	8	7	6	5	4	3	2	1		
72	71		69	68	67	66		64	63	62			59	58	57	56		54	53																																																																			
52	51	50	49	48	47	46		44	43	42			39	38	37	36	35	34	33																																																																			
73			32	31	30	29		27				24	23	22	21	20	19		17																																																																			
			15	14	13	12	11		9	8	7	6	5	4	3	2	1																																																																					
AVAILABLE	NOT APPLICABLE	34566-5303	0	B	ST GRY	<table border="1"> <tr><td></td><td></td><td></td><td></td><td></td><td></td><td></td><td></td><td>65</td><td>64</td><td></td><td></td><td></td><td></td><td>59</td><td></td><td>57</td><td></td><td>55</td><td>53</td></tr> <tr><td></td><td></td><td>50</td><td>49</td><td>48</td><td></td><td>46</td><td></td><td></td><td></td><td></td><td></td><td></td><td>39</td><td>38</td><td>37</td><td></td><td>35</td><td>33</td><td></td></tr> <tr><td colspan="3">73</td><td>32</td><td></td><td></td><td>29</td><td></td><td></td><td></td><td></td><td></td><td>23</td><td>21</td><td></td><td></td><td></td><td></td><td></td><td></td></tr> <tr><td colspan="3"></td><td>15</td><td></td><td></td><td></td><td></td><td></td><td></td><td></td><td>7</td><td>6</td><td>5</td><td>4</td><td>3</td><td></td><td></td><td></td><td></td></tr> </table>									65	64					59		57		55	53			50	49	48		46							39	38	37		35	33		73			32			29						23	21										15								7	6	5	4	3				
								65	64					59		57		55	53																																																																			
		50	49	48		46							39	38	37		35	33																																																																				
73			32			29						23	21																																																																									
			15								7	6	5	4	3																																																																							
AVAILABLE	NOT APPLICABLE	34566-5403	0	B	ST GRY	<table border="1"> <tr><td></td><td></td><td></td><td></td><td></td><td></td><td></td><td></td><td>65</td><td></td><td></td><td></td><td></td><td></td><td>59</td><td>58</td><td>57</td><td>56</td><td>55</td><td>53</td></tr> <tr><td></td><td></td><td>50</td><td>49</td><td>48</td><td></td><td>46</td><td>45</td><td></td><td></td><td></td><td></td><td></td><td>39</td><td>38</td><td>37</td><td></td><td>35</td><td>34</td><td>33</td></tr> <tr><td colspan="3">73</td><td>32</td><td></td><td></td><td>29</td><td></td><td></td><td></td><td></td><td></td><td>23</td><td>22</td><td>21</td><td></td><td></td><td></td><td>18</td><td></td></tr> <tr><td colspan="3"></td><td>16</td><td>15</td><td>14</td><td></td><td></td><td></td><td></td><td></td><td>7</td><td>6</td><td>5</td><td>4</td><td>3</td><td></td><td></td><td></td><td></td></tr> </table>									65						59	58	57	56	55	53			50	49	48		46	45						39	38	37		35	34	33	73			32			29						23	22	21				18					16	15	14						7	6	5	4	3				
								65						59	58	57	56	55	53																																																																			
		50	49	48		46	45						39	38	37		35	34	33																																																																			
73			32			29						23	22	21				18																																																																				
			16	15	14						7	6	5	4	3																																																																							
AVAILABLE	NOT APPLICABLE	34566-5503	0	A	BLACK	<table border="1"> <tr><td>72</td><td>71</td><td></td><td>69</td><td>68</td><td>67</td><td>66</td><td></td><td>64</td><td>63</td><td>62</td><td></td><td></td><td>60</td><td>59</td><td></td><td></td><td></td><td></td><td></td></tr> <tr><td>52</td><td></td><td></td><td>49</td><td>48</td><td></td><td>46</td><td></td><td>44</td><td>43</td><td>42</td><td></td><td></td><td>40</td><td>39</td><td></td><td></td><td></td><td>35</td><td>33</td></tr> <tr><td colspan="3">73</td><td>32</td><td></td><td></td><td>29</td><td></td><td>27</td><td>26</td><td></td><td></td><td>24</td><td>23</td><td></td><td></td><td></td><td></td><td></td><td>17</td></tr> <tr><td colspan="3"></td><td></td><td></td><td>14</td><td>13</td><td>12</td><td>11</td><td>10</td><td>9</td><td>8</td><td>7</td><td>6</td><td>5</td><td>4</td><td>3</td><td>2</td><td>1</td><td></td></tr> </table>	72	71		69	68	67	66		64	63	62			60	59						52			49	48		46		44	43	42			40	39				35	33	73			32			29		27	26			24	23						17						14	13	12	11	10	9	8	7	6	5	4	3	2	1	
72	71		69	68	67	66		64	63	62			60	59																																																																								
52			49	48		46		44	43	42			40	39				35	33																																																																			
73			32			29		27	26			24	23						17																																																																			
					14	13	12	11	10	9	8	7	6	5	4	3	2	1																																																																				
AVAILABLE	NOT APPLICABLE	34566-5603	SEE 34566-2503																																																																																			
AVAILABLE	NOT APPLICABLE	34566-5703	0	B	ST GRY	<table border="1"> <tr><td></td><td></td><td></td><td></td><td>68</td><td></td><td></td><td></td><td></td><td></td><td></td><td></td><td></td><td></td><td>59</td><td></td><td>57</td><td></td><td>55</td><td>53</td></tr> <tr><td></td><td></td><td></td><td>49</td><td>48</td><td></td><td>46</td><td></td><td></td><td></td><td></td><td></td><td></td><td>39</td><td>37</td><td></td><td>35</td><td>33</td><td></td><td></td></tr> <tr><td colspan="3">73</td><td></td><td></td><td></td><td>29</td><td></td><td></td><td></td><td></td><td></td><td>23</td><td>21</td><td></td><td></td><td></td><td>18</td><td>17</td><td></td></tr> <tr><td colspan="3"></td><td></td><td></td><td></td><td>12</td><td>11</td><td>10</td><td></td><td></td><td>7</td><td></td><td></td><td></td><td></td><td></td><td></td><td></td><td></td></tr> </table>					68										59		57		55	53				49	48		46							39	37		35	33			73						29						23	21				18	17								12	11	10			7								
				68										59		57		55	53																																																																			
			49	48		46							39	37		35	33																																																																					
73						29						23	21				18	17																																																																				
						12	11	10			7																																																																											
AVAILABLE	NOT APPLICABLE	34566-5803	0	B	ST GRY	<table border="1"> <tr><td></td><td></td><td></td><td></td><td></td><td></td><td></td><td></td><td>65</td><td></td><td></td><td></td><td></td><td></td><td>59</td><td></td><td>57</td><td></td><td>55</td><td>53</td></tr> <tr><td></td><td></td><td></td><td>49</td><td>48</td><td>47</td><td></td><td></td><td></td><td></td><td></td><td></td><td></td><td>39</td><td>37</td><td></td><td>35</td><td>33</td><td></td><td></td></tr> <tr><td colspan="3">73</td><td></td><td></td><td></td><td>29</td><td></td><td></td><td></td><td></td><td></td><td>23</td><td>21</td><td></td><td></td><td></td><td></td><td></td><td>17</td></tr> <tr><td colspan="3"></td><td></td><td></td><td></td><td>12</td><td></td><td></td><td></td><td></td><td>7</td><td></td><td></td><td></td><td></td><td></td><td></td><td></td><td></td></tr> </table>									65						59		57		55	53				49	48	47								39	37		35	33			73						29						23	21						17							12					7								
								65						59		57		55	53																																																																			
			49	48	47								39	37		35	33																																																																					
73						29						23	21						17																																																																			
						12					7																																																																											
AVAILABLE	NOT APPLICABLE	34566-5903	0	A	BLACK	<table border="1"> <tr><td>72</td><td>71</td><td></td><td>69</td><td>68</td><td>67</td><td>66</td><td></td><td>64</td><td>63</td><td>62</td><td></td><td></td><td>59</td><td></td><td></td><td></td><td></td><td></td><td>53</td></tr> <tr><td></td><td></td><td></td><td>48</td><td></td><td></td><td></td><td></td><td>44</td><td>43</td><td>42</td><td></td><td></td><td>39</td><td></td><td></td><td></td><td></td><td>35</td><td>33</td></tr> <tr><td colspan="3">73</td><td>32</td><td></td><td></td><td>29</td><td></td><td>27</td><td></td><td></td><td></td><td>23</td><td></td><td></td><td></td><td></td><td></td><td></td><td>17</td></tr> <tr><td colspan="3"></td><td></td><td></td><td></td><td>13</td><td>12</td><td>11</td><td></td><td>9</td><td>8</td><td></td><td></td><td>5</td><td>4</td><td>3</td><td>2</td><td>1</td><td></td></tr> </table>	72	71		69	68	67	66		64	63	62			59						53				48					44	43	42			39					35	33	73			32			29		27				23							17							13	12	11		9	8			5	4	3	2	1	
72	71		69	68	67	66		64	63	62			59						53																																																																			
			48					44	43	42			39					35	33																																																																			
73			32			29		27				23							17																																																																			
						13	12	11		9	8			5	4	3	2	1																																																																				
SEE NEXT PAGE FOR ADDITIONAL NUMBERS																																																																																						

QUALITY SYMBOLS ▽ = 0 ▽ = 0 ▽ = 0 ▽ = 0 ▽ = 0 ▽ = 0 ▽ = 0 ▽ = 0 ▽ = 0	THIS DRAWING CONTAINS INFORMATION THAT IS PROPRIETARY TO MOLEX ELECTRONIC TECHNOLOGIES, LLC AND SHOULD NOT BE USED WITHOUT WRITTEN PERMISSION		GENERAL TOLERANCES (UNLESS SPECIFIED) ANGULAR TOL ± °		DIMENSION UNITS MM		SCALE 1:1		 MX123 66/73/80CKT HRNS CONN ASSY		
	EC NO: 115012 DRWN: TYE CHKD: REV APPR: JDENG02	2017/03/27 2017/03/30	4 PLACES ± 3 PLACES ± 2 PLACES ± 1 PLACE ± 0 PLACES ±		DRWN BY SKRAJENDRANA		DATE 2011/02/14				PRODUCT CUSTOMER DRAWING
DRAFT WHERE APPLICABLE MUST REMAIN WITHIN DIMENSIONS		DRAWING SIZE D		THIRD ANGLE PROJECTION		SERIES 34566		MATERIAL NUMBER SEE BOM TABLE		CUSTOMER GENERAL MARKET	
G49		DOCUMENT NUMBER SD-34566-001		DOC TYPE PSD		DOC PART 000		SHEET NUMBER 9 OF 92			

STATUS	GM PART #	MATERIAL #	WIRE DRESS OPTION	KEY OPTION ▽	COLOR (TPA) ▽	NUMBERS INDICATE CAVITIES OPEN FOR CIRCUITS ▽																																																																																				
AVAILABLE	NOT APPLICABLE	34566-7603	0	B	ST GRY	<table border="1"> <tr><td></td><td></td><td></td><td>69</td><td>68</td><td></td><td>66</td><td></td><td></td><td></td><td></td><td></td><td></td><td></td><td></td><td>59</td><td>57</td><td></td><td>55</td><td></td><td>53</td></tr> <tr><td></td><td></td><td></td><td>49</td><td>48</td><td></td><td>46</td><td></td><td>44</td><td></td><td></td><td></td><td></td><td></td><td></td><td>39</td><td>37</td><td></td><td>35</td><td></td><td>33</td></tr> <tr><td colspan="3">73</td><td></td><td></td><td></td><td>29</td><td>28</td><td></td><td></td><td></td><td></td><td></td><td></td><td>23</td><td>21</td><td></td><td></td><td></td><td>18</td><td>17</td></tr> <tr><td></td><td></td><td></td><td></td><td></td><td></td><td>12</td><td>11</td><td>10</td><td></td><td></td><td></td><td></td><td></td><td>7</td><td></td><td></td><td></td><td></td><td></td><td></td></tr> </table>				69	68		66									59	57		55		53				49	48		46		44							39	37		35		33	73						29	28							23	21				18	17							12	11	10						7						
			69	68		66									59	57		55		53																																																																						
			49	48		46		44							39	37		35		33																																																																						
73						29	28							23	21				18	17																																																																						
						12	11	10						7																																																																												
AVAILABLE	NOT APPLICABLE	34566-7703	0	A	BLACK	<table border="1"> <tr><td>72</td><td>71</td><td>70</td><td>69</td><td>68</td><td>67</td><td>66</td><td></td><td>64</td><td>63</td><td>62</td><td></td><td>60</td><td>59</td><td></td><td></td><td></td><td></td><td>55</td><td>54</td><td>53</td></tr> <tr><td>52</td><td></td><td></td><td>49</td><td>48</td><td></td><td></td><td></td><td>44</td><td>43</td><td>42</td><td></td><td>40</td><td>39</td><td></td><td></td><td></td><td></td><td>35</td><td>34</td><td>33</td></tr> <tr><td colspan="3">73</td><td></td><td></td><td></td><td>32</td><td></td><td>29</td><td></td><td>27</td><td></td><td>24</td><td>23</td><td></td><td></td><td></td><td></td><td>19</td><td>18</td><td>17</td></tr> <tr><td></td><td></td><td></td><td></td><td></td><td></td><td>16</td><td></td><td>13</td><td>12</td><td>11</td><td></td><td>9</td><td>8</td><td>7</td><td>6</td><td>5</td><td>4</td><td>3</td><td>2</td><td>1</td></tr> </table>	72	71	70	69	68	67	66		64	63	62		60	59					55	54	53	52			49	48				44	43	42		40	39					35	34	33	73						32		29		27		24	23					19	18	17							16		13	12	11		9	8	7	6	5	4	3	2	1
72	71	70	69	68	67	66		64	63	62		60	59					55	54	53																																																																						
52			49	48				44	43	42		40	39					35	34	33																																																																						
73						32		29		27		24	23					19	18	17																																																																						
						16		13	12	11		9	8	7	6	5	4	3	2	1																																																																						
AVAILABLE	NOT APPLICABLE	34566-7803	0	A	BLACK	<table border="1"> <tr><td>72</td><td>71</td><td>70</td><td></td><td>68</td><td></td><td>66</td><td></td><td>64</td><td>63</td><td>62</td><td>61</td><td>60</td><td>59</td><td></td><td></td><td></td><td></td><td>55</td><td>54</td><td>53</td></tr> <tr><td>52</td><td></td><td></td><td>49</td><td>48</td><td></td><td>46</td><td></td><td>44</td><td>43</td><td>42</td><td></td><td>40</td><td>39</td><td></td><td></td><td></td><td></td><td>35</td><td>34</td><td>33</td></tr> <tr><td colspan="3">73</td><td></td><td></td><td></td><td>32</td><td></td><td>29</td><td>28</td><td>27</td><td></td><td>24</td><td>23</td><td></td><td></td><td></td><td></td><td>19</td><td>18</td><td>17</td></tr> <tr><td></td><td></td><td></td><td></td><td></td><td></td><td>16</td><td></td><td>14</td><td>13</td><td>12</td><td>11</td><td>9</td><td>8</td><td>7</td><td>6</td><td></td><td></td><td>3</td><td>2</td><td>1</td></tr> </table>	72	71	70		68		66		64	63	62	61	60	59					55	54	53	52			49	48		46		44	43	42		40	39					35	34	33	73						32		29	28	27		24	23					19	18	17							16		14	13	12	11	9	8	7	6			3	2	1
72	71	70		68		66		64	63	62	61	60	59					55	54	53																																																																						
52			49	48		46		44	43	42		40	39					35	34	33																																																																						
73						32		29	28	27		24	23					19	18	17																																																																						
						16		14	13	12	11	9	8	7	6			3	2	1																																																																						
AVAILABLE	NOT APPLICABLE	34566-7903	0	B	ST GRY	<table border="1"> <tr><td></td><td></td><td></td><td></td><td></td><td></td><td></td><td></td><td></td><td>64</td><td></td><td></td><td>61</td><td></td><td>59</td><td>57</td><td></td><td></td><td>55</td><td>54</td><td>53</td></tr> <tr><td></td><td></td><td></td><td></td><td></td><td></td><td></td><td></td><td></td><td></td><td></td><td>42</td><td></td><td></td><td>39</td><td></td><td></td><td></td><td>35</td><td></td><td>33</td></tr> <tr><td colspan="3">73</td><td></td><td></td><td></td><td></td><td></td><td></td><td></td><td></td><td></td><td></td><td></td><td>23</td><td></td><td></td><td>20</td><td>19</td><td></td><td></td></tr> <tr><td></td><td></td><td></td><td></td><td></td><td></td><td></td><td></td><td></td><td></td><td></td><td></td><td></td><td></td><td></td><td></td><td></td><td>4</td><td>3</td><td>2</td><td>1</td></tr> </table>										64			61		59	57			55	54	53												42			39				35		33	73														23			20	19																				4	3	2	1
									64			61		59	57			55	54	53																																																																						
											42			39				35		33																																																																						
73														23			20	19																																																																								
																	4	3	2	1																																																																						
AVAILABLE	NOT APPLICABLE	34566-8003	0	A	BLACK	<table border="1"> <tr><td></td><td></td><td></td><td>69</td><td>68</td><td></td><td></td><td></td><td>65</td><td>64</td><td>63</td><td></td><td>61</td><td>60</td><td>59</td><td>58</td><td></td><td>56</td><td></td><td></td><td></td></tr> <tr><td>52</td><td></td><td>50</td><td>49</td><td>48</td><td>47</td><td></td><td></td><td></td><td></td><td></td><td></td><td>41</td><td></td><td></td><td>38</td><td>37</td><td>36</td><td></td><td>34</td><td>33</td></tr> <tr><td colspan="3">73</td><td></td><td></td><td></td><td>32</td><td>31</td><td>30</td><td>29</td><td>28</td><td>27</td><td></td><td>24</td><td>23</td><td></td><td></td><td>20</td><td>19</td><td>18</td><td>17</td></tr> <tr><td></td><td></td><td></td><td></td><td></td><td></td><td>16</td><td></td><td></td><td>13</td><td>12</td><td>11</td><td>10</td><td>9</td><td></td><td></td><td></td><td></td><td></td><td></td><td>1</td></tr> </table>				69	68				65	64	63		61	60	59	58		56				52		50	49	48	47							41			38	37	36		34	33	73						32	31	30	29	28	27		24	23			20	19	18	17							16			13	12	11	10	9							1
			69	68				65	64	63		61	60	59	58		56																																																																									
52		50	49	48	47							41			38	37	36		34	33																																																																						
73						32	31	30	29	28	27		24	23			20	19	18	17																																																																						
						16			13	12	11	10	9							1																																																																						
AVAILABLE	NOT APPLICABLE	34566-8103	0	H	ST GRY	<table border="1"> <tr><td></td><td></td><td>78</td><td></td><td></td><td></td><td></td><td></td><td>72</td><td>71</td><td>70</td><td>69</td><td>68</td><td></td><td>66</td><td>65</td><td>64</td><td>63</td><td></td><td>61</td><td></td></tr> <tr><td>60</td><td>59</td><td>58</td><td>57</td><td>56</td><td></td><td></td><td></td><td>53</td><td>52</td><td>50</td><td></td><td></td><td></td><td></td><td></td><td></td><td>44</td><td>43</td><td></td><td>41</td></tr> <tr><td>40</td><td></td><td></td><td>37</td><td></td><td>35</td><td>34</td><td>33</td><td>32</td><td></td><td>30</td><td>29</td><td></td><td>27</td><td>26</td><td></td><td>24</td><td></td><td></td><td>22</td><td>21</td></tr> <tr><td>20</td><td>19</td><td>18</td><td>17</td><td>16</td><td></td><td></td><td>13</td><td>12</td><td></td><td></td><td></td><td></td><td>8</td><td>6</td><td>5</td><td></td><td></td><td>3</td><td>2</td><td></td></tr> </table>			78						72	71	70	69	68		66	65	64	63		61		60	59	58	57	56				53	52	50							44	43		41	40			37		35	34	33	32		30	29		27	26		24			22	21	20	19	18	17	16			13	12					8	6	5			3	2	
		78						72	71	70	69	68		66	65	64	63		61																																																																							
60	59	58	57	56				53	52	50							44	43		41																																																																						
40			37		35	34	33	32		30	29		27	26		24			22	21																																																																						
20	19	18	17	16			13	12					8	6	5			3	2																																																																							
AVAILABLE	NOT APPLICABLE	34566-8203	0	A	BLACK	<table border="1"> <tr><td></td><td></td><td>70</td><td></td><td></td><td>67</td><td>66</td><td></td><td></td><td></td><td></td><td></td><td></td><td></td><td></td><td>58</td><td>56</td><td>55</td><td>54</td><td></td><td></td></tr> <tr><td></td><td></td><td></td><td></td><td></td><td>47</td><td></td><td></td><td>44</td><td>43</td><td>42</td><td>41</td><td></td><td>39</td><td></td><td>37</td><td>36</td><td></td><td>34</td><td></td><td></td></tr> <tr><td colspan="3">73</td><td></td><td></td><td></td><td>31</td><td>30</td><td></td><td></td><td>27</td><td>25</td><td>24</td><td></td><td></td><td>21</td><td>20</td><td>19</td><td>18</td><td></td><td>1</td></tr> <tr><td></td><td></td><td></td><td></td><td></td><td></td><td></td><td></td><td>13</td><td></td><td></td><td></td><td></td><td></td><td></td><td>6</td><td>5</td><td>4</td><td>3</td><td></td><td></td></tr> </table>			70			67	66									58	56	55	54								47			44	43	42	41		39		37	36		34			73						31	30			27	25	24			21	20	19	18		1									13							6	5	4	3		
		70			67	66									58	56	55	54																																																																								
					47			44	43	42	41		39		37	36		34																																																																								
73						31	30			27	25	24			21	20	19	18		1																																																																						
								13							6	5	4	3																																																																								
AVAILABLE	NOT APPLICABLE	34566-8303	0	A	BLACK	<table border="1"> <tr><td>72</td><td>71</td><td></td><td>69</td><td>68</td><td>67</td><td>66</td><td></td><td>64</td><td>63</td><td>62</td><td></td><td></td><td>59</td><td>58</td><td>57</td><td>56</td><td></td><td>54</td><td>53</td></tr> <tr><td>52</td><td>51</td><td>50</td><td>49</td><td>48</td><td>47</td><td>46</td><td></td><td>44</td><td>43</td><td>42</td><td></td><td></td><td>39</td><td>38</td><td>37</td><td>36</td><td>35</td><td>34</td><td>33</td></tr> <tr><td colspan="3">73</td><td></td><td></td><td></td><td>32</td><td>31</td><td>30</td><td>29</td><td></td><td>27</td><td></td><td>24</td><td>23</td><td>22</td><td>21</td><td>20</td><td>19</td><td></td><td>17</td></tr> <tr><td></td><td></td><td></td><td></td><td></td><td></td><td>15</td><td>14</td><td>13</td><td>12</td><td>11</td><td></td><td>9</td><td>8</td><td>7</td><td>6</td><td>5</td><td>4</td><td>3</td><td>2</td><td>1</td></tr> </table>	72	71		69	68	67	66		64	63	62			59	58	57	56		54	53	52	51	50	49	48	47	46		44	43	42			39	38	37	36	35	34	33	73						32	31	30	29		27		24	23	22	21	20	19		17							15	14	13	12	11		9	8	7	6	5	4	3	2	1		
72	71		69	68	67	66		64	63	62			59	58	57	56		54	53																																																																							
52	51	50	49	48	47	46		44	43	42			39	38	37	36	35	34	33																																																																							
73						32	31	30	29		27		24	23	22	21	20	19		17																																																																						
						15	14	13	12	11		9	8	7	6	5	4	3	2	1																																																																						

SEE NEXT PAGE FOR ADDITIONAL NUMBERS

QUALITY SYMBOLS ▽ = 0 ▽ = 0 ▽ = 0 ▽ = 0 ▽ = 0 ▽ = 0 ▽ = 0 ▽ = 0 ▽ = 0	THIS DRAWING CONTAINS INFORMATION THAT IS PROPRIETARY TO MOLEX ELECTRONIC TECHNOLOGIES, LLC AND SHOULD NOT BE USED WITHOUT WRITTEN PERMISSION		GENERAL TOLERANCES (UNLESS SPECIFIED) ANGULAR TOL ± °		DIMENSION UNITS MM	SCALE 1:1	 MX123 66/73/80CKT HRNS CONN ASSY			
	DRWN BY SKRAJENDRANA	DATE 2011/02/14	CHKD BY MVANSLAMBROU	DATE 2011/02/14	APPR BY JDENG02	DATE 		DRAWING SIZE D	THIRD ANGLE PROJECTION 	SERIES 34566
EC NO: 115012 DRWN: TYE CHKD: REV APPR: JDENG02	G49	2017/03/27	2017/03/30	DRAFT WHERE APPLICABLE MUST REMAIN WITHIN DIMENSIONS	D	34566	PSD	000	12 OF 92	

STATUS	GM PART #	MATERIAL #	WIRE DRESS OPTION	KEY OPTION	COLOR (TPA)	NUMBERS INDICATE CAVITIES OPEN FOR CIRCUITS																																																																													
AVAILABLE	NOT APPLICABLE	34566-9203	0	A	BLACK	<table border="1"> <tr><td>72</td><td>71</td><td>70</td><td>69</td><td>68</td><td>67</td><td>66</td><td></td><td>64</td><td>63</td><td>62</td><td></td><td>60</td><td>59</td><td></td><td></td><td>55</td><td>54</td><td>53</td></tr> <tr><td>52</td><td></td><td></td><td>49</td><td>48</td><td></td><td></td><td></td><td>44</td><td>43</td><td>42</td><td></td><td>40</td><td>39</td><td>38</td><td></td><td>35</td><td>34</td><td>33</td></tr> <tr><td colspan="3">73</td><td></td><td></td><td>30</td><td>29</td><td>28</td><td>27</td><td></td><td></td><td>24</td><td>23</td><td></td><td></td><td>19</td><td>18</td><td>17</td></tr> <tr><td></td><td></td><td></td><td>16</td><td></td><td></td><td>13</td><td>12</td><td>11</td><td></td><td>9</td><td>8</td><td>7</td><td>6</td><td>5</td><td>4</td><td>3</td><td>2</td><td>1</td></tr> </table>	72	71	70	69	68	67	66		64	63	62		60	59			55	54	53	52			49	48				44	43	42		40	39	38		35	34	33	73					30	29	28	27			24	23			19	18	17				16			13	12	11		9	8	7	6	5	4	3	2	1		
72	71	70	69	68	67	66		64	63	62		60	59			55	54	53																																																																	
52			49	48				44	43	42		40	39	38		35	34	33																																																																	
73					30	29	28	27			24	23			19	18	17																																																																		
			16			13	12	11		9	8	7	6	5	4	3	2	1																																																																	
AVAILABLE	NOT APPLICABLE	34566-9303	0	A	BLACK	<table border="1"> <tr><td>72</td><td>71</td><td></td><td>69</td><td>68</td><td>67</td><td>66</td><td></td><td>64</td><td>63</td><td>62</td><td></td><td>59</td><td>58</td><td>57</td><td>56</td><td>55</td><td>54</td><td>53</td></tr> <tr><td>52</td><td>51</td><td>50</td><td>49</td><td>48</td><td>47</td><td>46</td><td></td><td>44</td><td>43</td><td>42</td><td></td><td>39</td><td>38</td><td>37</td><td>36</td><td>35</td><td>34</td><td>33</td></tr> <tr><td colspan="3">73</td><td></td><td>32</td><td>31</td><td>30</td><td>29</td><td>27</td><td></td><td></td><td>24</td><td>23</td><td>22</td><td>21</td><td>20</td><td>19</td><td>18</td><td>17</td></tr> <tr><td></td><td></td><td></td><td></td><td>15</td><td>14</td><td>13</td><td>12</td><td>11</td><td></td><td>9</td><td>8</td><td>7</td><td>6</td><td>5</td><td>4</td><td>3</td><td>2</td><td>1</td></tr> </table>	72	71		69	68	67	66		64	63	62		59	58	57	56	55	54	53	52	51	50	49	48	47	46		44	43	42		39	38	37	36	35	34	33	73				32	31	30	29	27			24	23	22	21	20	19	18	17					15	14	13	12	11		9	8	7	6	5	4	3	2	1	
72	71		69	68	67	66		64	63	62		59	58	57	56	55	54	53																																																																	
52	51	50	49	48	47	46		44	43	42		39	38	37	36	35	34	33																																																																	
73				32	31	30	29	27			24	23	22	21	20	19	18	17																																																																	
				15	14	13	12	11		9	8	7	6	5	4	3	2	1																																																																	
AVAILABLE	NOT APPLICABLE	34566-9403	0	B	ST GRY	<table border="1"> <tr><td></td><td></td><td></td><td></td><td>68</td><td>67</td><td>66</td><td>65</td><td></td><td></td><td></td><td></td><td>59</td><td>58</td><td>57</td><td></td><td>54</td><td>53</td><td></td></tr> <tr><td></td><td>51</td><td>50</td><td>49</td><td>48</td><td></td><td>46</td><td>45</td><td></td><td>43</td><td>42</td><td>41</td><td>40</td><td>39</td><td>38</td><td>37</td><td></td><td>35</td><td>33</td></tr> <tr><td colspan="3">73</td><td></td><td>32</td><td>31</td><td>30</td><td></td><td></td><td>26</td><td>24</td><td>23</td><td>22</td><td></td><td>20</td><td></td><td></td><td></td><td></td></tr> <tr><td></td><td></td><td></td><td></td><td>16</td><td></td><td></td><td>13</td><td></td><td></td><td>10</td><td>9</td><td>8</td><td>7</td><td>6</td><td>5</td><td>4</td><td></td><td></td></tr> </table>					68	67	66	65					59	58	57		54	53			51	50	49	48		46	45		43	42	41	40	39	38	37		35	33	73				32	31	30			26	24	23	22		20									16			13			10	9	8	7	6	5	4			
				68	67	66	65					59	58	57		54	53																																																																		
	51	50	49	48		46	45		43	42	41	40	39	38	37		35	33																																																																	
73				32	31	30			26	24	23	22		20																																																																					
				16			13			10	9	8	7	6	5	4																																																																			
AVAILABLE	NOT APPLICABLE	34566-9503	0	A	BLACK	<table border="1"> <tr><td>72</td><td>71</td><td>70</td><td>69</td><td>68</td><td></td><td></td><td>65</td><td>64</td><td>63</td><td></td><td>61</td><td></td><td>59</td><td>58</td><td>57</td><td>56</td><td></td><td></td></tr> <tr><td>52</td><td>51</td><td></td><td>49</td><td></td><td>47</td><td></td><td></td><td></td><td></td><td></td><td>41</td><td></td><td></td><td>38</td><td>37</td><td>36</td><td></td><td>34</td><td>33</td></tr> <tr><td colspan="3">73</td><td></td><td>32</td><td>31</td><td>30</td><td>29</td><td>28</td><td>27</td><td></td><td>24</td><td>23</td><td></td><td></td><td>20</td><td>19</td><td>18</td><td>17</td></tr> <tr><td></td><td></td><td></td><td></td><td>16</td><td></td><td></td><td>13</td><td>12</td><td>11</td><td>10</td><td>9</td><td></td><td></td><td></td><td></td><td></td><td></td><td>1</td></tr> </table>	72	71	70	69	68			65	64	63		61		59	58	57	56			52	51		49		47						41			38	37	36		34	33	73				32	31	30	29	28	27		24	23			20	19	18	17					16			13	12	11	10	9							1
72	71	70	69	68			65	64	63		61		59	58	57	56																																																																			
52	51		49		47						41			38	37	36		34	33																																																																
73				32	31	30	29	28	27		24	23			20	19	18	17																																																																	
				16			13	12	11	10	9							1																																																																	
AVAILABLE	NOT APPLICABLE	34566-9603	0	A	BLACK	<table border="1"> <tr><td></td><td>71</td><td>70</td><td>69</td><td>68</td><td></td><td>66</td><td>65</td><td>64</td><td>63</td><td></td><td>61</td><td></td><td>59</td><td>58</td><td>57</td><td>56</td><td></td><td></td></tr> <tr><td>52</td><td></td><td>50</td><td>49</td><td></td><td>47</td><td></td><td></td><td></td><td></td><td></td><td>41</td><td></td><td></td><td>38</td><td>37</td><td>36</td><td>35</td><td>34</td><td>33</td></tr> <tr><td colspan="3">73</td><td></td><td>32</td><td>31</td><td>30</td><td>29</td><td>28</td><td>27</td><td></td><td>24</td><td>23</td><td></td><td></td><td>20</td><td>19</td><td>18</td><td>17</td></tr> <tr><td></td><td></td><td></td><td></td><td>16</td><td>15</td><td>14</td><td>13</td><td>12</td><td>11</td><td>10</td><td>9</td><td></td><td></td><td></td><td></td><td></td><td></td><td>1</td></tr> </table>		71	70	69	68		66	65	64	63		61		59	58	57	56			52		50	49		47						41			38	37	36	35	34	33	73				32	31	30	29	28	27		24	23			20	19	18	17					16	15	14	13	12	11	10	9							1
	71	70	69	68		66	65	64	63		61		59	58	57	56																																																																			
52		50	49		47						41			38	37	36	35	34	33																																																																
73				32	31	30	29	28	27		24	23			20	19	18	17																																																																	
				16	15	14	13	12	11	10	9							1																																																																	
AVAILABLE	NOT APPLICABLE	34566-9703	0	A	BLACK	<table border="1"> <tr><td>72</td><td>71</td><td>70</td><td>69</td><td>68</td><td></td><td></td><td>65</td><td>64</td><td>63</td><td></td><td>61</td><td></td><td>59</td><td></td><td>57</td><td>56</td><td></td><td></td></tr> <tr><td>52</td><td>51</td><td>50</td><td>49</td><td></td><td>47</td><td></td><td></td><td></td><td></td><td></td><td>41</td><td></td><td></td><td>38</td><td>37</td><td>36</td><td></td><td>34</td><td>33</td></tr> <tr><td colspan="3">73</td><td></td><td>32</td><td>31</td><td>30</td><td>29</td><td>28</td><td>27</td><td></td><td>24</td><td>23</td><td></td><td></td><td>20</td><td>19</td><td>18</td><td></td></tr> <tr><td></td><td></td><td></td><td></td><td>16</td><td></td><td></td><td>13</td><td>12</td><td>11</td><td>10</td><td>9</td><td></td><td></td><td></td><td></td><td>3</td><td>2</td><td>1</td></tr> </table>	72	71	70	69	68			65	64	63		61		59		57	56			52	51	50	49		47						41			38	37	36		34	33	73				32	31	30	29	28	27		24	23			20	19	18						16			13	12	11	10	9					3	2	1
72	71	70	69	68			65	64	63		61		59		57	56																																																																			
52	51	50	49		47						41			38	37	36		34	33																																																																
73				32	31	30	29	28	27		24	23			20	19	18																																																																		
				16			13	12	11	10	9					3	2	1																																																																	
AVAILABLE	NOT APPLICABLE	34566-9803	0	A	BLACK	<table border="1"> <tr><td>72</td><td>71</td><td>70</td><td>69</td><td>68</td><td></td><td></td><td>65</td><td>64</td><td>63</td><td></td><td>61</td><td></td><td>59</td><td></td><td>57</td><td>56</td><td></td><td></td></tr> <tr><td>52</td><td>51</td><td>50</td><td>49</td><td></td><td>47</td><td></td><td></td><td></td><td></td><td></td><td>41</td><td></td><td></td><td>38</td><td>37</td><td>36</td><td></td><td>34</td><td>33</td></tr> <tr><td colspan="3">73</td><td></td><td>32</td><td>31</td><td>30</td><td>29</td><td>28</td><td>27</td><td></td><td>24</td><td>23</td><td></td><td></td><td>20</td><td>19</td><td>18</td><td></td></tr> <tr><td></td><td></td><td></td><td></td><td>16</td><td></td><td></td><td>13</td><td>12</td><td>11</td><td>10</td><td>9</td><td></td><td></td><td></td><td></td><td></td><td></td><td>1</td></tr> </table>	72	71	70	69	68			65	64	63		61		59		57	56			52	51	50	49		47						41			38	37	36		34	33	73				32	31	30	29	28	27		24	23			20	19	18						16			13	12	11	10	9							1
72	71	70	69	68			65	64	63		61		59		57	56																																																																			
52	51	50	49		47						41			38	37	36		34	33																																																																
73				32	31	30	29	28	27		24	23			20	19	18																																																																		
				16			13	12	11	10	9							1																																																																	
AVAILABLE	NOT APPLICABLE	34566-9903	0	A	BLACK	<table border="1"> <tr><td></td><td>71</td><td></td><td>69</td><td>68</td><td></td><td></td><td>65</td><td>64</td><td>63</td><td></td><td>61</td><td></td><td>59</td><td>58</td><td>57</td><td>56</td><td></td><td></td></tr> <tr><td>52</td><td></td><td>50</td><td>49</td><td></td><td>47</td><td></td><td></td><td></td><td></td><td></td><td>41</td><td></td><td></td><td>38</td><td>37</td><td>36</td><td></td><td>34</td><td>33</td></tr> <tr><td colspan="3">73</td><td></td><td>32</td><td>31</td><td>30</td><td>29</td><td>28</td><td>27</td><td></td><td>24</td><td>23</td><td></td><td></td><td>20</td><td>19</td><td>18</td><td>17</td></tr> <tr><td></td><td></td><td></td><td></td><td>16</td><td></td><td></td><td>13</td><td>12</td><td>11</td><td>10</td><td>9</td><td></td><td></td><td></td><td></td><td></td><td></td><td>1</td></tr> </table>		71		69	68			65	64	63		61		59	58	57	56			52		50	49		47						41			38	37	36		34	33	73				32	31	30	29	28	27		24	23			20	19	18	17					16			13	12	11	10	9							1
	71		69	68			65	64	63		61		59	58	57	56																																																																			
52		50	49		47						41			38	37	36		34	33																																																																
73				32	31	30	29	28	27		24	23			20	19	18	17																																																																	
				16			13	12	11	10	9							1																																																																	

SEE NEXT PAGE FOR ADDITIONAL NUMBERS

QUALITY SYMBOLS = 0 = 0 = 0 = 0 = 0 = 0 = 0 = 0 = 0	THIS DRAWING CONTAINS INFORMATION THAT IS PROPRIETARY TO MOLEX ELECTRONIC TECHNOLOGIES, LLC AND SHOULD NOT BE USED WITHOUT WRITTEN PERMISSION		DIMENSION UNITS MM	SCALE 1:1	
	EC NO: 115012 DRWN: TYE CHKD: JDENG02 REV: APPR: JDENG02	2017/03/27 2017/03/30	GENERAL TOLERANCES (UNLESS SPECIFIED) ANGULAR TOL ± ° 4 PLACES ± 3 PLACES ± 2 PLACES ± 1 PLACE ± 0 PLACES ± DRAFT WHERE APPLICABLE MUST REMAIN WITHIN DIMENSIONS	DRWN BY SKRAJENDRANA	
		CHKD BY MVANSLAMBROU	DATE 2011/02/14	PRODUCT CUSTOMER DRAWING	
		APPR BY JDENG02	DATE 2011/02/14	SERIES 34566	MATERIAL NUMBER SEE BOM TABLE
		DRAWING SIZE D	THIRD ANGLE PROJECTION 	CUSTOMER GENERAL MARKET	DOCUMENT NUMBER SD-34566-001
		MUST REMAIN WITHIN DIMENSIONS		DOC TYPE PSD	DOC PART 000
				SHEET NUMBER 14 OF 92	

STATUS	GM PART #	MATERIAL #	WIRE DRESS OPTION	KEY OPTION	COLOR (TPA)	NUMBERS INDICATE CAVITIES OPEN FOR CIRCUITS																																																																																
AVAILABLE	NOT APPLICABLE	34566-1013	0	A	BLACK	<table border="1"> <tr><td></td><td>71</td><td></td><td>69</td><td>68</td><td></td><td></td><td>65</td><td>64</td><td>63</td><td>61</td><td></td><td>59</td><td>58</td><td>57</td><td>56</td><td></td><td></td><td></td></tr> <tr><td>52</td><td></td><td>50</td><td>49</td><td></td><td>47</td><td></td><td></td><td></td><td></td><td>41</td><td></td><td></td><td>38</td><td>37</td><td>36</td><td></td><td>34</td><td>33</td></tr> <tr><td colspan="2">73</td><td></td><td></td><td>32</td><td>31</td><td>30</td><td>29</td><td>28</td><td>27</td><td></td><td></td><td>24</td><td>23</td><td></td><td></td><td>20</td><td>19</td><td>18</td><td>17</td></tr> <tr><td colspan="2"></td><td></td><td></td><td>16</td><td></td><td></td><td>13</td><td>12</td><td>11</td><td>10</td><td>9</td><td></td><td></td><td></td><td></td><td>3</td><td>2</td><td>1</td><td></td></tr> </table>		71		69	68			65	64	63	61		59	58	57	56				52		50	49		47					41			38	37	36		34	33	73				32	31	30	29	28	27			24	23			20	19	18	17					16			13	12	11	10	9					3	2	1			
	71		69	68			65	64	63	61		59	58	57	56																																																																							
52		50	49		47					41			38	37	36		34	33																																																																				
73				32	31	30	29	28	27			24	23			20	19	18	17																																																																			
				16			13	12	11	10	9					3	2	1																																																																				
AVAILABLE	NOT APPLICABLE	34566-1023	0	A	BLACK	<table border="1"> <tr><td></td><td></td><td>70</td><td></td><td></td><td>67</td><td>66</td><td>65</td><td></td><td></td><td></td><td></td><td></td><td>58</td><td>57</td><td></td><td>55</td><td>54</td><td></td></tr> <tr><td></td><td></td><td>50</td><td>49</td><td></td><td>47</td><td></td><td></td><td>44</td><td>43</td><td>42</td><td>41</td><td></td><td>39</td><td></td><td>37</td><td></td><td>35</td><td></td></tr> <tr><td colspan="2">73</td><td></td><td></td><td>32</td><td></td><td>30</td><td></td><td></td><td>27</td><td></td><td>25</td><td>24</td><td></td><td></td><td>21</td><td>20</td><td>19</td><td>18</td><td>17</td></tr> <tr><td colspan="2"></td><td></td><td></td><td>16</td><td>15</td><td></td><td>13</td><td></td><td></td><td>10</td><td>9</td><td>8</td><td></td><td>6</td><td>5</td><td></td><td>3</td><td>2</td><td>1</td></tr> </table>			70			67	66	65						58	57		55	54				50	49		47			44	43	42	41		39		37		35		73				32		30			27		25	24			21	20	19	18	17					16	15		13			10	9	8		6	5		3	2	1		
		70			67	66	65						58	57		55	54																																																																					
		50	49		47			44	43	42	41		39		37		35																																																																					
73				32		30			27		25	24			21	20	19	18	17																																																																			
				16	15		13			10	9	8		6	5		3	2	1																																																																			
AVAILABLE	NOT APPLICABLE	34566-1033	0	A	BLACK	<table border="1"> <tr><td>72</td><td></td><td>70</td><td></td><td></td><td>67</td><td>66</td><td>65</td><td></td><td></td><td></td><td></td><td></td><td>58</td><td>57</td><td></td><td>55</td><td>54</td><td></td></tr> <tr><td></td><td></td><td>50</td><td>49</td><td></td><td>47</td><td></td><td></td><td>44</td><td>43</td><td>42</td><td>41</td><td></td><td>39</td><td></td><td>37</td><td></td><td>35</td><td></td></tr> <tr><td colspan="2">73</td><td></td><td></td><td>32</td><td></td><td>30</td><td></td><td></td><td>27</td><td>26</td><td>25</td><td>24</td><td></td><td></td><td>21</td><td>20</td><td>19</td><td>18</td><td>17</td></tr> <tr><td colspan="2"></td><td></td><td></td><td>16</td><td>15</td><td></td><td>13</td><td></td><td></td><td>10</td><td>9</td><td>8</td><td></td><td>6</td><td>5</td><td></td><td>3</td><td>2</td><td>1</td></tr> </table>	72		70			67	66	65						58	57		55	54				50	49		47			44	43	42	41		39		37		35		73				32		30			27	26	25	24			21	20	19	18	17					16	15		13			10	9	8		6	5		3	2	1		
72		70			67	66	65						58	57		55	54																																																																					
		50	49		47			44	43	42	41		39		37		35																																																																					
73				32		30			27	26	25	24			21	20	19	18	17																																																																			
				16	15		13			10	9	8		6	5		3	2	1																																																																			
AVAILABLE	NOT APPLICABLE	34566-1043	0	B	ST GRAY	<table border="1"> <tr><td></td><td>71</td><td>70</td><td></td><td>68</td><td></td><td>66</td><td>65</td><td></td><td></td><td></td><td></td><td></td><td>59</td><td>58</td><td>57</td><td></td><td></td><td>54</td><td>53</td></tr> <tr><td></td><td>51</td><td>50</td><td>49</td><td>48</td><td></td><td>46</td><td>45</td><td></td><td>43</td><td></td><td>41</td><td>40</td><td>39</td><td>38</td><td>37</td><td>36</td><td>35</td><td></td><td>33</td></tr> <tr><td colspan="2">73</td><td></td><td></td><td>32</td><td>31</td><td>30</td><td></td><td></td><td></td><td></td><td></td><td>24</td><td>23</td><td>22</td><td></td><td>20</td><td></td><td></td><td></td></tr> <tr><td colspan="2"></td><td></td><td></td><td>16</td><td></td><td></td><td>13</td><td>12</td><td>11</td><td>10</td><td>9</td><td>8</td><td>7</td><td>6</td><td>5</td><td>4</td><td></td><td></td><td></td></tr> </table>		71	70		68		66	65						59	58	57			54	53		51	50	49	48		46	45		43		41	40	39	38	37	36	35		33	73				32	31	30						24	23	22		20								16			13	12	11	10	9	8	7	6	5	4			
	71	70		68		66	65						59	58	57			54	53																																																																			
	51	50	49	48		46	45		43		41	40	39	38	37	36	35		33																																																																			
73				32	31	30						24	23	22		20																																																																						
				16			13	12	11	10	9	8	7	6	5	4																																																																						
AVAILABLE	NOT APPLICABLE	34566-1053	0	H	ST GRAY	<table border="1"> <tr><td></td><td>79</td><td>78</td><td>77</td><td>76</td><td>75</td><td>74</td><td>73</td><td>72</td><td>71</td><td>70</td><td>69</td><td>68</td><td></td><td>66</td><td>65</td><td>64</td><td>63</td><td></td><td>61</td></tr> <tr><td>60</td><td>59</td><td>58</td><td>57</td><td>56</td><td></td><td></td><td>53</td><td>52</td><td></td><td>50</td><td></td><td></td><td></td><td></td><td></td><td>44</td><td>43</td><td></td><td>41</td></tr> <tr><td>40</td><td>39</td><td>38</td><td>37</td><td></td><td>35</td><td>34</td><td>33</td><td>32</td><td></td><td>30</td><td>29</td><td></td><td>27</td><td>26</td><td></td><td></td><td></td><td>22</td><td>21</td></tr> <tr><td>20</td><td>19</td><td>18</td><td>17</td><td>16</td><td></td><td>14</td><td>13</td><td>12</td><td>11</td><td></td><td>9</td><td>8</td><td></td><td>6</td><td>5</td><td></td><td>3</td><td>2</td><td></td></tr> </table>		79	78	77	76	75	74	73	72	71	70	69	68		66	65	64	63		61	60	59	58	57	56			53	52		50						44	43		41	40	39	38	37		35	34	33	32		30	29		27	26				22	21	20	19	18	17	16		14	13	12	11		9	8		6	5		3	2	
	79	78	77	76	75	74	73	72	71	70	69	68		66	65	64	63		61																																																																			
60	59	58	57	56			53	52		50						44	43		41																																																																			
40	39	38	37		35	34	33	32		30	29		27	26				22	21																																																																			
20	19	18	17	16		14	13	12	11		9	8		6	5		3	2																																																																				
AVAILABLE	NOT APPLICABLE	34566-1063	0	B	ST GRAY	<table border="1"> <tr><td></td><td></td><td></td><td></td><td></td><td></td><td></td><td>65</td><td></td><td></td><td></td><td></td><td>60</td><td>59</td><td></td><td>57</td><td>56</td><td>55</td><td></td><td>53</td></tr> <tr><td></td><td></td><td></td><td>49</td><td>48</td><td>47</td><td></td><td></td><td>44</td><td></td><td></td><td></td><td>40</td><td>39</td><td></td><td>37</td><td>36</td><td>35</td><td></td><td>33</td></tr> <tr><td colspan="2">73</td><td></td><td></td><td></td><td></td><td></td><td>29</td><td>28</td><td></td><td></td><td></td><td>24</td><td>23</td><td></td><td>21</td><td></td><td></td><td></td><td></td></tr> <tr><td colspan="2"></td><td></td><td></td><td></td><td></td><td></td><td></td><td></td><td></td><td></td><td></td><td></td><td></td><td></td><td></td><td></td><td></td><td>2</td><td></td></tr> </table>								65					60	59		57	56	55		53				49	48	47			44				40	39		37	36	35		33	73							29	28				24	23		21																							2	
							65					60	59		57	56	55		53																																																																			
			49	48	47			44				40	39		37	36	35		33																																																																			
73							29	28				24	23		21																																																																							
																		2																																																																				
AVAILABLE	NOT APPLICABLE	34566-1073	0	A	BLACK	<table border="1"> <tr><td>72</td><td>71</td><td>70</td><td>69</td><td>68</td><td>67</td><td>66</td><td>65</td><td>64</td><td>63</td><td></td><td>61</td><td></td><td>59</td><td>58</td><td>57</td><td>56</td><td></td><td>54</td><td></td></tr> <tr><td></td><td></td><td>50</td><td>49</td><td>48</td><td>47</td><td></td><td></td><td></td><td></td><td></td><td>42</td><td>41</td><td></td><td>38</td><td>37</td><td>36</td><td></td><td>34</td><td>33</td></tr> <tr><td colspan="2">73</td><td></td><td></td><td>32</td><td>31</td><td>30</td><td>29</td><td>28</td><td>27</td><td>26</td><td></td><td>24</td><td>23</td><td></td><td></td><td>20</td><td>19</td><td>18</td><td></td></tr> <tr><td colspan="2"></td><td></td><td></td><td>16</td><td></td><td></td><td>13</td><td>12</td><td>11</td><td>10</td><td>9</td><td></td><td></td><td></td><td></td><td></td><td></td><td></td><td></td></tr> </table>	72	71	70	69	68	67	66	65	64	63		61		59	58	57	56		54				50	49	48	47						42	41		38	37	36		34	33	73				32	31	30	29	28	27	26		24	23			20	19	18						16			13	12	11	10	9								
72	71	70	69	68	67	66	65	64	63		61		59	58	57	56		54																																																																				
		50	49	48	47						42	41		38	37	36		34	33																																																																			
73				32	31	30	29	28	27	26		24	23			20	19	18																																																																				
				16			13	12	11	10	9																																																																											
AVAILABLE	NOT APPLICABLE	34566-1083	0	B	ST GRAY	<table border="1"> <tr><td></td><td></td><td></td><td></td><td>68</td><td>67</td><td>66</td><td>65</td><td>64</td><td></td><td></td><td></td><td></td><td>59</td><td>58</td><td>57</td><td></td><td>55</td><td>54</td><td>53</td></tr> <tr><td></td><td>51</td><td>50</td><td>49</td><td>48</td><td></td><td>46</td><td>45</td><td></td><td>43</td><td>42</td><td>41</td><td>40</td><td>39</td><td>38</td><td>37</td><td></td><td>35</td><td></td><td>33</td></tr> <tr><td colspan="2">73</td><td></td><td></td><td>32</td><td>31</td><td>30</td><td></td><td></td><td></td><td>26</td><td></td><td>24</td><td>23</td><td>22</td><td></td><td>20</td><td></td><td></td><td></td></tr> <tr><td colspan="2"></td><td></td><td></td><td>16</td><td></td><td></td><td>13</td><td></td><td></td><td>10</td><td>9</td><td>8</td><td>7</td><td>6</td><td>5</td><td>4</td><td>3</td><td>2</td><td></td></tr> </table>					68	67	66	65	64					59	58	57		55	54	53		51	50	49	48		46	45		43	42	41	40	39	38	37		35		33	73				32	31	30				26		24	23	22		20								16			13			10	9	8	7	6	5	4	3	2	
				68	67	66	65	64					59	58	57		55	54	53																																																																			
	51	50	49	48		46	45		43	42	41	40	39	38	37		35		33																																																																			
73				32	31	30				26		24	23	22		20																																																																						
				16			13			10	9	8	7	6	5	4	3	2																																																																				

SEE NEXT PAGE FOR ADDITIONAL NUMBERS

QUALITY SYMBOLS 	THIS DRAWING CONTAINS INFORMATION THAT IS PROPRIETARY TO MOLEX ELECTRONIC TECHNOLOGIES, LLC AND SHOULD NOT BE USED WITHOUT WRITTEN PERMISSION										
	2017/03/27	2017/03/30	GENERAL TOLERANCES (UNLESS SPECIFIED)		DIMENSION UNITS	SCALE					
	DRWN: TYE	CHKD: JDENG02	ANGULAR TOL ± °		MM	1:1					
	EC NO: 115012 G49	REV: APPR: JDENG02	4 PLACES ±	SKRAJENDRANA	DATE	2011/02/14		MX123 66/73/80CKT HRNS CONN ASSY PRODUCT CUSTOMER DRAWING			
			3 PLACES ±	CHKD BY	DATE	2011/02/14					
			2 PLACES ±	APPR BY	DATE						
			1 PLACE ±								
			0 PLACES ±								
	DRAFT WHERE APPLICABLE MUST REMAIN WITHIN DIMENSIONS		DRAWING SIZE	THIRD ANGLE PROJECTION			SERIES: 34566 MATERIAL NUMBER: SEE BOM TABLE CUSTOMER: GENERAL MARKET				
			D				DOCUMENT NUMBER: SD-34566-001 DOC TYPE: PSD DOC PART: 000 SHEET NUMBER: 15 OF 92				

STATUS	GM PART #	MATERIAL #	WIRE DRESS OPTION	KEY OPTION	COLOR (TPA)	NUMBERS INDICATE CAVITIES OPEN FOR CIRCUITS																																																																																		
AVAILABLE	NOT APPLICABLE	34566-1093	0	A	BLACK	<table border="1"> <tr><td></td><td></td><td>70</td><td></td><td>68</td><td>67</td><td>66</td><td></td><td></td><td></td><td></td><td></td><td></td><td></td><td></td><td>58</td><td></td><td>56</td><td>55</td><td>54</td><td></td></tr> <tr><td></td><td></td><td></td><td>49</td><td></td><td>47</td><td></td><td></td><td>44</td><td>43</td><td>42</td><td>41</td><td></td><td></td><td>39</td><td></td><td>37</td><td>36</td><td></td><td>34</td><td></td></tr> <tr><td></td><td></td><td>73</td><td></td><td></td><td>31</td><td>30</td><td></td><td></td><td>27</td><td></td><td>25</td><td>24</td><td></td><td></td><td>21</td><td>20</td><td>19</td><td>18</td><td></td></tr> <tr><td></td><td></td><td></td><td></td><td></td><td></td><td></td><td>13</td><td></td><td></td><td></td><td></td><td></td><td></td><td></td><td>6</td><td>5</td><td>4</td><td>3</td><td>1</td></tr> </table>			70		68	67	66									58		56	55	54					49		47			44	43	42	41			39		37	36		34				73			31	30			27		25	24			21	20	19	18									13								6	5	4	3	1
		70		68	67	66									58		56	55	54																																																																					
			49		47			44	43	42	41			39		37	36		34																																																																					
		73			31	30			27		25	24			21	20	19	18																																																																						
							13								6	5	4	3	1																																																																					
AVAILABLE	NOT APPLICABLE	34566-1123	0	H	ST GRY	<table border="1"> <tr><td></td><td></td><td>78</td><td></td><td></td><td></td><td></td><td></td><td>72</td><td>71</td><td>70</td><td>69</td><td>68</td><td>67</td><td>66</td><td>65</td><td>64</td><td>63</td><td>61</td><td></td></tr> <tr><td></td><td></td><td>58</td><td>57</td><td>56</td><td></td><td></td><td>53</td><td>52</td><td>51</td><td>50</td><td></td><td></td><td></td><td></td><td></td><td>44</td><td>43</td><td></td><td>41</td></tr> <tr><td>40</td><td></td><td></td><td>37</td><td></td><td>35</td><td>34</td><td>33</td><td>32</td><td></td><td>30</td><td>29</td><td></td><td>27</td><td>26</td><td></td><td></td><td></td><td>22</td><td>21</td></tr> <tr><td>20</td><td>19</td><td>18</td><td>17</td><td>16</td><td></td><td>14</td><td></td><td>12</td><td></td><td>10</td><td>9</td><td>8</td><td>7</td><td>6</td><td>5</td><td></td><td>3</td><td>2</td><td>1</td></tr> </table>			78						72	71	70	69	68	67	66	65	64	63	61				58	57	56			53	52	51	50						44	43		41	40			37		35	34	33	32		30	29		27	26				22	21	20	19	18	17	16		14		12		10	9	8	7	6	5		3	2	1		
		78						72	71	70	69	68	67	66	65	64	63	61																																																																						
		58	57	56			53	52	51	50						44	43		41																																																																					
40			37		35	34	33	32		30	29		27	26				22	21																																																																					
20	19	18	17	16		14		12		10	9	8	7	6	5		3	2	1																																																																					
AVAILABLE	NOT APPLICABLE	34566-1133	0	A	BLACK	<table border="1"> <tr><td></td><td></td><td>70</td><td></td><td>68</td><td>67</td><td>66</td><td></td><td></td><td></td><td></td><td></td><td></td><td></td><td></td><td>58</td><td>57</td><td></td><td>55</td><td>54</td></tr> <tr><td></td><td></td><td></td><td>49</td><td></td><td>47</td><td></td><td>45</td><td>44</td><td>43</td><td>42</td><td>41</td><td></td><td>39</td><td></td><td>37</td><td></td><td></td><td></td><td>34</td></tr> <tr><td></td><td></td><td>73</td><td></td><td></td><td>32</td><td></td><td>30</td><td></td><td></td><td>27</td><td></td><td>25</td><td>24</td><td></td><td>21</td><td>20</td><td>19</td><td>18</td><td></td></tr> <tr><td></td><td></td><td></td><td></td><td></td><td></td><td></td><td>13</td><td></td><td>11</td><td></td><td></td><td></td><td></td><td>6</td><td>5</td><td></td><td>3</td><td></td><td>1</td></tr> </table>			70		68	67	66									58	57		55	54				49		47		45	44	43	42	41		39		37				34			73			32		30			27		25	24		21	20	19	18									13		11					6	5		3		1		
		70		68	67	66									58	57		55	54																																																																					
			49		47		45	44	43	42	41		39		37				34																																																																					
		73			32		30			27		25	24		21	20	19	18																																																																						
							13		11					6	5		3		1																																																																					
AVAILABLE	NOT APPLICABLE	34566-1143	0	A	BLACK	<table border="1"> <tr><td></td><td></td><td></td><td></td><td>68</td><td></td><td></td><td>65</td><td>63</td><td>61</td><td></td><td>59</td><td>58</td><td></td><td>56</td><td></td><td></td><td></td><td>53</td><td></td></tr> <tr><td>52</td><td></td><td>50</td><td></td><td></td><td>47</td><td></td><td></td><td></td><td>41</td><td></td><td></td><td>38</td><td>37</td><td>36</td><td>35</td><td>34</td><td>33</td><td></td><td></td></tr> <tr><td></td><td></td><td>73</td><td></td><td></td><td>32</td><td>31</td><td>30</td><td>29</td><td>28</td><td>27</td><td></td><td>25</td><td>24</td><td>23</td><td>22</td><td>21</td><td>20</td><td>19</td><td>18</td></tr> <tr><td></td><td></td><td></td><td></td><td></td><td>16</td><td>15</td><td>14</td><td>13</td><td>12</td><td>11</td><td>10</td><td>9</td><td></td><td></td><td></td><td></td><td></td><td></td><td>1</td></tr> </table>					68			65	63	61		59	58		56				53		52		50			47				41			38	37	36	35	34	33					73			32	31	30	29	28	27		25	24	23	22	21	20	19	18						16	15	14	13	12	11	10	9							1		
				68			65	63	61		59	58		56				53																																																																						
52		50			47				41			38	37	36	35	34	33																																																																							
		73			32	31	30	29	28	27		25	24	23	22	21	20	19	18																																																																					
					16	15	14	13	12	11	10	9							1																																																																					
AVAILABLE	NOT APPLICABLE	34566-1153	0	A	BLACK	<table border="1"> <tr><td></td><td></td><td>70</td><td></td><td>67</td><td>66</td><td>65</td><td></td><td></td><td></td><td></td><td></td><td></td><td></td><td></td><td>58</td><td>57</td><td></td><td>55</td><td></td></tr> <tr><td></td><td></td><td></td><td>49</td><td></td><td>47</td><td></td><td></td><td>44</td><td>43</td><td>42</td><td>41</td><td></td><td>39</td><td></td><td>37</td><td></td><td></td><td></td><td></td></tr> <tr><td></td><td></td><td>73</td><td></td><td></td><td>32</td><td></td><td>30</td><td></td><td></td><td>27</td><td></td><td>25</td><td>24</td><td>23</td><td></td><td>21</td><td>20</td><td>19</td><td>18</td></tr> <tr><td></td><td></td><td></td><td></td><td></td><td></td><td></td><td>13</td><td></td><td></td><td></td><td></td><td>8</td><td></td><td></td><td>6</td><td>5</td><td></td><td>3</td><td>1</td></tr> </table>			70		67	66	65									58	57		55					49		47			44	43	42	41		39		37							73			32		30			27		25	24	23		21	20	19	18								13					8			6	5		3	1		
		70		67	66	65									58	57		55																																																																						
			49		47			44	43	42	41		39		37																																																																									
		73			32		30			27		25	24	23		21	20	19	18																																																																					
							13					8			6	5		3	1																																																																					
AVAILABLE	NOT APPLICABLE	34566-1163	0	H	ST GRY	<table border="1"> <tr><td></td><td></td><td>78</td><td></td><td></td><td></td><td></td><td></td><td>72</td><td>71</td><td>70</td><td>69</td><td>68</td><td></td><td>66</td><td>65</td><td>64</td><td>63</td><td>61</td><td></td></tr> <tr><td>60</td><td>59</td><td>58</td><td>57</td><td>56</td><td></td><td></td><td>53</td><td>52</td><td></td><td>50</td><td></td><td></td><td></td><td></td><td></td><td>44</td><td>43</td><td></td><td>41</td></tr> <tr><td>40</td><td></td><td></td><td>37</td><td></td><td>35</td><td>34</td><td></td><td>32</td><td></td><td>30</td><td>29</td><td></td><td>27</td><td>26</td><td></td><td></td><td></td><td>22</td><td>21</td></tr> <tr><td>20</td><td>19</td><td>18</td><td>17</td><td>16</td><td></td><td></td><td>13</td><td>12</td><td></td><td></td><td></td><td>8</td><td></td><td>6</td><td>5</td><td></td><td>3</td><td>2</td><td>1</td></tr> </table>			78						72	71	70	69	68		66	65	64	63	61		60	59	58	57	56			53	52		50						44	43		41	40			37		35	34		32		30	29		27	26				22	21	20	19	18	17	16			13	12				8		6	5		3	2	1		
		78						72	71	70	69	68		66	65	64	63	61																																																																						
60	59	58	57	56			53	52		50						44	43		41																																																																					
40			37		35	34		32		30	29		27	26				22	21																																																																					
20	19	18	17	16			13	12				8		6	5		3	2	1																																																																					
AVAILABLE	NOT APPLICABLE	34566-1173	0	A	BLACK	<table border="1"> <tr><td>72</td><td>71</td><td></td><td>69</td><td>68</td><td></td><td></td><td>65</td><td>64</td><td>63</td><td>62</td><td>61</td><td>60</td><td>59</td><td>58</td><td></td><td>56</td><td></td><td>54</td><td></td></tr> <tr><td>52</td><td></td><td>50</td><td>49</td><td>48</td><td>47</td><td></td><td>45</td><td></td><td></td><td>42</td><td>41</td><td></td><td></td><td>38</td><td>37</td><td>36</td><td></td><td>34</td><td>33</td></tr> <tr><td></td><td></td><td>73</td><td></td><td></td><td>32</td><td>31</td><td>30</td><td>29</td><td>28</td><td>27</td><td>26</td><td></td><td>24</td><td>23</td><td></td><td>20</td><td>19</td><td>18</td><td>17</td></tr> <tr><td></td><td></td><td></td><td></td><td></td><td>16</td><td></td><td></td><td>13</td><td>12</td><td>11</td><td>10</td><td>9</td><td></td><td></td><td></td><td></td><td></td><td></td><td></td></tr> </table>	72	71		69	68			65	64	63	62	61	60	59	58		56		54		52		50	49	48	47		45			42	41			38	37	36		34	33			73			32	31	30	29	28	27	26		24	23		20	19	18	17						16			13	12	11	10	9									
72	71		69	68			65	64	63	62	61	60	59	58		56		54																																																																						
52		50	49	48	47		45			42	41			38	37	36		34	33																																																																					
		73			32	31	30	29	28	27	26		24	23		20	19	18	17																																																																					
					16			13	12	11	10	9																																																																												
AVAILABLE	NOT APPLICABLE	34566-1183	0	B	ST GRY	<table border="1"> <tr><td></td><td></td><td></td><td></td><td></td><td></td><td>66</td><td>65</td><td>64</td><td></td><td>62</td><td></td><td></td><td>59</td><td>57</td><td></td><td>55</td><td>53</td><td></td><td></td></tr> <tr><td></td><td></td><td></td><td>49</td><td>48</td><td>47</td><td></td><td></td><td>44</td><td>42</td><td></td><td></td><td></td><td>39</td><td>37</td><td></td><td>35</td><td>33</td><td></td><td></td></tr> <tr><td></td><td></td><td>73</td><td></td><td></td><td></td><td></td><td>29</td><td>28</td><td></td><td></td><td></td><td></td><td>23</td><td>21</td><td></td><td></td><td></td><td></td><td>17</td></tr> <tr><td></td><td></td><td></td><td></td><td></td><td></td><td></td><td>12</td><td></td><td></td><td></td><td>9</td><td></td><td>7</td><td></td><td></td><td></td><td></td><td></td><td></td></tr> </table>							66	65	64		62			59	57		55	53						49	48	47			44	42				39	37		35	33					73					29	28					23	21					17								12				9		7								
						66	65	64		62			59	57		55	53																																																																							
			49	48	47			44	42				39	37		35	33																																																																							
		73					29	28					23	21					17																																																																					
							12				9		7																																																																											

QUALITY SYMBOLS = 0 = 0 = 0 = 0 = 0 = 0 = 0 = 0 = 0	THIS DRAWING CONTAINS INFORMATION THAT IS PROPRIETARY TO MOLEX ELECTRONIC TECHNOLOGIES, LLC AND SHOULD NOT BE USED WITHOUT WRITTEN PERMISSION		DIMENSION UNITS MM		SCALE 1:1		
	EC NO: 115012 DRWN: TYE CHKD: JDENG02 REV APPR: JDENG02	2017/03/27 2017/03/30	GENERAL TOLERANCES (UNLESS SPECIFIED) ANGULAR TOL ± °		DRWN BY SKRAJENDRANA		
		4 PLACES ± 3 PLACES ± 2 PLACES ± 1 PLACE ± 0 PLACES ±		CHKD BY MVANSLAMBROU		DATE 2011/02/14	
		DRAFT WHERE APPLICABLE MUST REMAIN WITHIN DIMENSIONS		APPR BY DATE		PRODUCT CUSTOMER DRAWING	
		DRAWING SIZE D		THIRD ANGLE PROJECTION 		SERIES 34566	
		MATERIAL NUMBER SEE BOM TABLE		CUSTOMER GENERAL MARKET		DOCUMENT NUMBER SD-34566-001	
		DOC TYPE PSD		DOC PART 000		SHEET NUMBER 16 OF 92	

STATUS	GM PART #	MATERIAL #	WIRE DRESS OPTION	KEY OPTION	COLOR (TPA)	NUMBERS INDICATE CAVITIES OPEN FOR CIRCUITS																																																																																
AVAILABLE	NOT APPLICABLE	34566-1193	0	A	BLACK	<table border="1"> <tr><td>72</td><td>71</td><td></td><td>69</td><td>68</td><td>67</td><td>66</td><td></td><td>64</td><td>63</td><td>62</td><td></td><td>60</td><td>59</td><td></td><td></td><td></td><td></td><td>54</td><td>53</td></tr> <tr><td>52</td><td></td><td></td><td>49</td><td>48</td><td></td><td>46</td><td></td><td>44</td><td>43</td><td>42</td><td></td><td></td><td>39</td><td></td><td></td><td></td><td></td><td>34</td><td>33</td></tr> <tr><td></td><td></td><td>73</td><td></td><td>32</td><td></td><td></td><td>29</td><td>27</td><td></td><td></td><td></td><td></td><td>23</td><td></td><td></td><td></td><td></td><td></td><td>17</td></tr> <tr><td></td><td></td><td></td><td></td><td></td><td></td><td>14</td><td>13</td><td>12</td><td>11</td><td></td><td>9</td><td>8</td><td>7</td><td>6</td><td>5</td><td>4</td><td>3</td><td>2</td><td>1</td></tr> </table>	72	71		69	68	67	66		64	63	62		60	59					54	53	52			49	48		46		44	43	42			39					34	33			73		32			29	27					23						17							14	13	12	11		9	8	7	6	5	4	3	2	1
72	71		69	68	67	66		64	63	62		60	59					54	53																																																																			
52			49	48		46		44	43	42			39					34	33																																																																			
		73		32			29	27					23						17																																																																			
						14	13	12	11		9	8	7	6	5	4	3	2	1																																																																			
AVAILABLE	NOT APPLICABLE	34566-1213	0	A	BLACK	<table border="1"> <tr><td>72</td><td>71</td><td></td><td>69</td><td>68</td><td>67</td><td>66</td><td></td><td>64</td><td>63</td><td>62</td><td></td><td></td><td>59</td><td></td><td></td><td></td><td></td><td>54</td><td>53</td></tr> <tr><td>52</td><td></td><td></td><td></td><td>48</td><td></td><td>46</td><td></td><td>44</td><td>43</td><td>42</td><td></td><td></td><td>39</td><td></td><td></td><td></td><td></td><td></td><td>33</td></tr> <tr><td></td><td></td><td>73</td><td></td><td>32</td><td></td><td></td><td>29</td><td>27</td><td></td><td></td><td>24</td><td>23</td><td></td><td></td><td></td><td></td><td></td><td></td><td>17</td></tr> <tr><td></td><td></td><td></td><td></td><td></td><td></td><td>14</td><td>13</td><td>12</td><td>11</td><td></td><td>9</td><td>8</td><td></td><td></td><td>5</td><td>4</td><td>3</td><td>2</td><td>1</td></tr> </table>	72	71		69	68	67	66		64	63	62			59					54	53	52				48		46		44	43	42			39						33			73		32			29	27			24	23							17							14	13	12	11		9	8			5	4	3	2	1
72	71		69	68	67	66		64	63	62			59					54	53																																																																			
52				48		46		44	43	42			39						33																																																																			
		73		32			29	27			24	23							17																																																																			
						14	13	12	11		9	8			5	4	3	2	1																																																																			
AVAILABLE	NOT APPLICABLE	34566-1223	0	B	ST GRY	<table border="1"> <tr><td></td><td></td><td></td><td></td><td></td><td>67</td><td>66</td><td>65</td><td></td><td>63</td><td>62</td><td></td><td></td><td>59</td><td>57</td><td></td><td></td><td>55</td><td>53</td></tr> <tr><td></td><td></td><td></td><td></td><td>48</td><td></td><td></td><td></td><td></td><td>43</td><td>42</td><td></td><td></td><td>39</td><td>37</td><td></td><td></td><td>35</td><td>33</td></tr> <tr><td></td><td></td><td>73</td><td></td><td></td><td></td><td></td><td>29</td><td>27</td><td>26</td><td></td><td></td><td></td><td>23</td><td>21</td><td></td><td></td><td></td><td>17</td></tr> <tr><td></td><td></td><td></td><td></td><td></td><td></td><td></td><td></td><td>12</td><td></td><td></td><td>9</td><td>7</td><td></td><td></td><td></td><td></td><td></td><td></td></tr> </table>						67	66	65		63	62			59	57			55	53					48					43	42			39	37			35	33			73					29	27	26				23	21				17									12			9	7										
					67	66	65		63	62			59	57			55	53																																																																				
				48					43	42			39	37			35	33																																																																				
		73					29	27	26				23	21				17																																																																				
								12			9	7																																																																										
AVAILABLE	NOT APPLICABLE	34566-1233	0	B	ST GRY	<table border="1"> <tr><td></td><td></td><td></td><td></td><td></td><td></td><td>65</td><td></td><td></td><td>62</td><td></td><td></td><td>59</td><td>57</td><td></td><td></td><td>55</td><td>53</td></tr> <tr><td></td><td></td><td></td><td></td><td>48</td><td></td><td>46</td><td></td><td></td><td>42</td><td></td><td></td><td>39</td><td>37</td><td></td><td></td><td>35</td><td>33</td></tr> <tr><td></td><td></td><td>73</td><td></td><td></td><td></td><td></td><td>29</td><td></td><td>26</td><td></td><td></td><td>23</td><td>21</td><td></td><td></td><td></td><td>17</td></tr> <tr><td></td><td></td><td></td><td></td><td></td><td></td><td></td><td></td><td>12</td><td></td><td>9</td><td>7</td><td></td><td></td><td></td><td></td><td></td><td></td></tr> </table>							65			62			59	57			55	53					48		46			42			39	37			35	33			73					29		26			23	21				17									12		9	7														
						65			62			59	57			55	53																																																																					
				48		46			42			39	37			35	33																																																																					
		73					29		26			23	21				17																																																																					
								12		9	7																																																																											
AVAILABLE	NOT APPLICABLE	34566-1243	0	B	ST GRY	<table border="1"> <tr><td></td><td></td><td></td><td>50</td><td></td><td>48</td><td>46</td><td></td><td></td><td></td><td></td><td></td><td>59</td><td>57</td><td></td><td></td><td>55</td><td>53</td></tr> <tr><td></td><td></td><td></td><td></td><td></td><td></td><td></td><td></td><td></td><td></td><td></td><td></td><td>39</td><td>37</td><td></td><td></td><td>35</td><td>33</td></tr> <tr><td></td><td></td><td>73</td><td></td><td></td><td></td><td></td><td>29</td><td></td><td></td><td></td><td></td><td>23</td><td>21</td><td></td><td></td><td></td><td>17</td></tr> <tr><td></td><td></td><td></td><td></td><td></td><td>15</td><td></td><td></td><td>12</td><td></td><td></td><td></td><td>7</td><td>6</td><td>5</td><td>4</td><td>3</td><td></td></tr> </table>				50		48	46						59	57			55	53													39	37			35	33			73					29					23	21				17						15			12				7	6	5	4	3									
			50		48	46						59	57			55	53																																																																					
												39	37			35	33																																																																					
		73					29					23	21				17																																																																					
					15			12				7	6	5	4	3																																																																						
AVAILABLE	NOT APPLICABLE	34566-1253	9	B	ST GRY	<table border="1"> <tr><td></td><td></td><td></td><td></td><td></td><td></td><td></td><td>65</td><td></td><td></td><td></td><td></td><td>60</td><td>59</td><td>57</td><td></td><td>55</td><td>53</td></tr> <tr><td></td><td></td><td></td><td>49</td><td>48</td><td>46</td><td></td><td></td><td></td><td></td><td></td><td></td><td>40</td><td>39</td><td>37</td><td></td><td>35</td><td>33</td></tr> <tr><td></td><td></td><td>73</td><td></td><td></td><td></td><td></td><td></td><td></td><td></td><td></td><td></td><td>24</td><td>23</td><td>21</td><td></td><td></td><td>2</td></tr> </table>								65					60	59	57		55	53				49	48	46							40	39	37		35	33			73										24	23	21			2																										
							65					60	59	57		55	53																																																																					
			49	48	46							40	39	37		35	33																																																																					
		73										24	23	21			2																																																																					
AVAILABLE	NOT APPLICABLE	34566-1263	9	A	BLACK	<p>NUMBERS IN BOLD MUST USE SAE WIRE MEETING SAE J1128, WIRE SIZE (NO.20) OR (NO.18 MAX. O.D. OF 2.06 MM) PER G.M. DRAWING NUMBER 12582682.</p> <table border="1"> <tr><td>72</td><td>71</td><td></td><td>69</td><td>68</td><td>67</td><td>66</td><td></td><td>64</td><td>63</td><td>62</td><td></td><td></td><td>59</td><td></td><td></td><td></td><td></td><td>56</td><td>53</td></tr> <tr><td></td><td></td><td>50</td><td></td><td>48</td><td></td><td>46</td><td></td><td>44</td><td>43</td><td>42</td><td></td><td></td><td>39</td><td></td><td></td><td></td><td></td><td>36</td><td>35</td></tr> <tr><td></td><td></td><td></td><td></td><td>32</td><td></td><td>30</td><td>29</td><td>27</td><td></td><td></td><td></td><td>24</td><td>23</td><td></td><td></td><td></td><td></td><td>20</td><td>17</td></tr> <tr><td></td><td></td><td>73</td><td></td><td></td><td></td><td>14</td><td>13</td><td>12</td><td>11</td><td></td><td>9</td><td>8</td><td></td><td></td><td>5</td><td>4</td><td>3</td><td>2</td><td>1</td></tr> </table>	72	71		69	68	67	66		64	63	62			59					56	53			50		48		46		44	43	42			39					36	35					32		30	29	27				24	23					20	17			73				14	13	12	11		9	8			5	4	3	2	1
72	71		69	68	67	66		64	63	62			59					56	53																																																																			
		50		48		46		44	43	42			39					36	35																																																																			
				32		30	29	27				24	23					20	17																																																																			
		73				14	13	12	11		9	8			5	4	3	2	1																																																																			
AVAILABLE	NOT APPLICABLE	34566-1273	0	A	BLACK	<table border="1"> <tr><td></td><td></td><td>70</td><td>69</td><td>68</td><td></td><td></td><td>65</td><td>64</td><td>63</td><td></td><td>61</td><td></td><td>59</td><td>58</td><td>57</td><td>56</td><td></td><td></td><td></td></tr> <tr><td>52</td><td></td><td>50</td><td>49</td><td>48</td><td>47</td><td></td><td></td><td></td><td></td><td></td><td>41</td><td></td><td></td><td>38</td><td>37</td><td>36</td><td></td><td>34</td><td>33</td></tr> <tr><td></td><td></td><td></td><td></td><td>32</td><td>31</td><td>30</td><td>29</td><td>28</td><td>27</td><td></td><td></td><td>24</td><td>23</td><td></td><td></td><td>20</td><td>19</td><td>18</td><td></td></tr> <tr><td></td><td></td><td></td><td></td><td>16</td><td></td><td></td><td>13</td><td>12</td><td>11</td><td>10</td><td>9</td><td></td><td></td><td></td><td></td><td></td><td></td><td></td><td>1</td></tr> </table>			70	69	68			65	64	63		61		59	58	57	56				52		50	49	48	47						41			38	37	36		34	33					32	31	30	29	28	27			24	23			20	19	18						16			13	12	11	10	9								1
		70	69	68			65	64	63		61		59	58	57	56																																																																						
52		50	49	48	47						41			38	37	36		34	33																																																																			
				32	31	30	29	28	27			24	23			20	19	18																																																																				
				16			13	12	11	10	9								1																																																																			

QUALITY SYMBOLS 	THIS DRAWING CONTAINS INFORMATION THAT IS PROPRIETARY TO MOLEX ELECTRONIC TECHNOLOGIES, LLC AND SHOULD NOT BE USED WITHOUT WRITTEN PERMISSION									
	2017/03/27	2017/03/30	GENERAL TOLERANCES (UNLESS SPECIFIED)		DIMENSION UNITS	SCALE				
	EC NO: 115012 DRWN: TYE CHKD: REV APPR: JDENG02	G49	ANGULAR TOL ± °		MM	1:1				
			4 PLACES ±	DRWN BY	DATE					
			3 PLACES ±	SKRAJENDRANA	2011/02/14					
			2 PLACES ±	CHKD BY	DATE					
			1 PLACE ±	MVANSLAMBROU	2011/02/14					
	0 PLACES ±	APPR BY	DATE							
	DRAFT WHERE APPLICABLE MUST REMAIN WITHIN DIMENSIONS		DRAWING SIZE	THIRD ANGLE PROJECTION						
			D							
		SERIES	MATERIAL NUMBER	CUSTOMER						
		34566	SEE BOM TABLE	GENERAL MARKET						
		DOCUMENT NUMBER	DOC TYPE	DOC PART	SHEET NUMBER					
		SD-34566-001	PSD	000	17 OF 92					


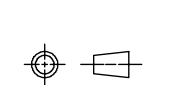
STATUS	GM PART #	MATERIAL #	WIRE DRESS OPTION	KEY OPTION	COLOR (TPA)	NUMBERS INDICATE CAVITIES OPEN FOR CIRCUITS																																																																																
AVAILABLE	NOT APPLICABLE	34566-1283	0	A	BLACK	<table border="1"> <tr><td>72</td><td>71</td><td>70</td><td>69</td><td>68</td><td>66</td><td>65</td><td>64</td><td>63</td><td>61</td><td>59</td><td>58</td><td>57</td><td>56</td><td>54</td></tr> <tr><td>52</td><td></td><td>50</td><td>49</td><td>48</td><td>47</td><td></td><td></td><td></td><td>42</td><td>41</td><td></td><td>38</td><td>37</td><td>36</td><td>34</td><td>33</td></tr> <tr><td colspan="3">73</td><td>32</td><td>31</td><td>30</td><td>29</td><td>28</td><td>27</td><td>26</td><td>24</td><td>23</td><td></td><td>20</td><td>19</td><td>18</td><td></td></tr> <tr><td colspan="3">73</td><td>16</td><td></td><td></td><td>13</td><td>12</td><td>11</td><td>10</td><td>9</td><td></td><td></td><td></td><td></td><td></td><td></td></tr> </table>	72	71	70	69	68	66	65	64	63	61	59	58	57	56	54	52		50	49	48	47				42	41		38	37	36	34	33	73			32	31	30	29	28	27	26	24	23		20	19	18		73			16			13	12	11	10	9																				
72	71	70	69	68	66	65	64	63	61	59	58	57	56	54																																																																								
52		50	49	48	47				42	41		38	37	36	34	33																																																																						
73			32	31	30	29	28	27	26	24	23		20	19	18																																																																							
73			16			13	12	11	10	9																																																																												
AVAILABLE	NOT APPLICABLE	34566-1293	0	A	BLACK	<table border="1"> <tr><td></td><td></td><td></td><td></td><td>68</td><td></td><td></td><td>65</td><td>63</td><td>61</td><td>59</td><td>58</td><td>56</td><td></td><td></td><td></td><td></td></tr> <tr><td>52</td><td></td><td>50</td><td></td><td>47</td><td></td><td></td><td></td><td></td><td>41</td><td></td><td>38</td><td>37</td><td>36</td><td></td><td>34</td><td>33</td></tr> <tr><td colspan="3">73</td><td>32</td><td>31</td><td>30</td><td>29</td><td>28</td><td>27</td><td></td><td>24</td><td>23</td><td></td><td>20</td><td>19</td><td>18</td><td>17</td></tr> <tr><td colspan="3">73</td><td>16</td><td></td><td></td><td>13</td><td>12</td><td>11</td><td>10</td><td>9</td><td></td><td></td><td></td><td></td><td></td><td>1</td></tr> </table>					68			65	63	61	59	58	56					52		50		47					41		38	37	36		34	33	73			32	31	30	29	28	27		24	23		20	19	18	17	73			16			13	12	11	10	9						1												
				68			65	63	61	59	58	56																																																																										
52		50		47					41		38	37	36		34	33																																																																						
73			32	31	30	29	28	27		24	23		20	19	18	17																																																																						
73			16			13	12	11	10	9						1																																																																						
AVAILABLE	NOT APPLICABLE	34566-1313	0	H	ST GRY	<table border="1"> <tr><td>80</td><td></td><td>78</td><td></td><td></td><td></td><td></td><td></td><td>72</td><td>71</td><td>70</td><td>69</td><td>68</td><td></td><td>66</td><td>65</td><td>64</td><td>63</td><td></td><td>61</td></tr> <tr><td></td><td></td><td>58</td><td>57</td><td>56</td><td>55</td><td>54</td><td>53</td><td></td><td></td><td></td><td></td><td></td><td></td><td>46</td><td></td><td>44</td><td>43</td><td>42</td><td></td></tr> <tr><td>40</td><td></td><td></td><td>37</td><td></td><td>35</td><td></td><td></td><td>32</td><td></td><td>30</td><td>29</td><td></td><td>27</td><td>26</td><td></td><td></td><td></td><td></td><td>21</td></tr> <tr><td>20</td><td>19</td><td>18</td><td>17</td><td></td><td>15</td><td></td><td></td><td>12</td><td></td><td></td><td></td><td>8</td><td></td><td>6</td><td>5</td><td></td><td>3</td><td>2</td><td></td></tr> </table>	80		78						72	71	70	69	68		66	65	64	63		61			58	57	56	55	54	53							46		44	43	42		40			37		35			32		30	29		27	26					21	20	19	18	17		15			12				8		6	5		3	2	
80		78						72	71	70	69	68		66	65	64	63		61																																																																			
		58	57	56	55	54	53							46		44	43	42																																																																				
40			37		35			32		30	29		27	26					21																																																																			
20	19	18	17		15			12				8		6	5		3	2																																																																				
AVAILABLE	NOT APPLICABLE	34566-1323	0	A	BLACK	<table border="1"> <tr><td>72</td><td>71</td><td>70</td><td>69</td><td>68</td><td>67</td><td>66</td><td>65</td><td>64</td><td>63</td><td>62</td><td></td><td>60</td><td>59</td><td>58</td><td>57</td><td>56</td><td>55</td><td>54</td><td>53</td></tr> <tr><td>52</td><td>51</td><td>50</td><td>49</td><td>48</td><td>47</td><td>46</td><td>45</td><td>44</td><td>43</td><td>42</td><td>41</td><td>40</td><td>39</td><td>38</td><td>37</td><td>36</td><td>35</td><td>34</td><td>33</td></tr> <tr><td colspan="3">73</td><td>32</td><td>31</td><td>30</td><td>29</td><td>28</td><td>27</td><td></td><td>25</td><td>24</td><td>23</td><td>22</td><td>21</td><td>20</td><td>19</td><td>18</td><td>17</td><td></td></tr> <tr><td colspan="3">73</td><td>16</td><td>15</td><td>14</td><td>13</td><td>12</td><td>11</td><td></td><td>9</td><td>8</td><td>7</td><td>6</td><td>5</td><td>4</td><td>3</td><td>2</td><td>1</td><td></td></tr> </table>	72	71	70	69	68	67	66	65	64	63	62		60	59	58	57	56	55	54	53	52	51	50	49	48	47	46	45	44	43	42	41	40	39	38	37	36	35	34	33	73			32	31	30	29	28	27		25	24	23	22	21	20	19	18	17		73			16	15	14	13	12	11		9	8	7	6	5	4	3	2	1	
72	71	70	69	68	67	66	65	64	63	62		60	59	58	57	56	55	54	53																																																																			
52	51	50	49	48	47	46	45	44	43	42	41	40	39	38	37	36	35	34	33																																																																			
73			32	31	30	29	28	27		25	24	23	22	21	20	19	18	17																																																																				
73			16	15	14	13	12	11		9	8	7	6	5	4	3	2	1																																																																				
AVAILABLE	NOT APPLICABLE	34566-1333	0	A	BLACK	<table border="1"> <tr><td></td><td></td><td>70</td><td>69</td><td>68</td><td></td><td></td><td>65</td><td>64</td><td></td><td></td><td></td><td>59</td><td>58</td><td></td><td>56</td><td></td><td></td><td></td><td></td></tr> <tr><td>52</td><td></td><td>50</td><td>49</td><td></td><td>47</td><td></td><td></td><td></td><td></td><td></td><td>41</td><td></td><td>38</td><td>37</td><td>36</td><td></td><td></td><td>34</td><td></td></tr> <tr><td colspan="3">73</td><td>32</td><td>31</td><td>30</td><td>29</td><td>28</td><td>27</td><td></td><td></td><td>23</td><td></td><td></td><td>20</td><td>19</td><td>18</td><td>17</td><td></td><td></td></tr> <tr><td colspan="3">73</td><td>16</td><td></td><td></td><td>13</td><td>12</td><td>11</td><td>10</td><td>9</td><td>8</td><td></td><td>6</td><td></td><td></td><td></td><td></td><td></td><td>1</td></tr> </table>			70	69	68			65	64				59	58		56					52		50	49		47						41		38	37	36			34		73			32	31	30	29	28	27			23			20	19	18	17			73			16			13	12	11	10	9	8		6						1
		70	69	68			65	64				59	58		56																																																																							
52		50	49		47						41		38	37	36			34																																																																				
73			32	31	30	29	28	27			23			20	19	18	17																																																																					
73			16			13	12	11	10	9	8		6						1																																																																			
AVAILABLE	NOT APPLICABLE	34566-1343	0	A	BLACK	<table border="1"> <tr><td>72</td><td>71</td><td></td><td>69</td><td></td><td>67</td><td></td><td>65</td><td>64</td><td>63</td><td></td><td></td><td>59</td><td>58</td><td>57</td><td>56</td><td></td><td></td><td></td><td></td></tr> <tr><td></td><td></td><td>50</td><td>49</td><td>48</td><td>47</td><td></td><td></td><td></td><td></td><td></td><td>41</td><td></td><td>38</td><td>37</td><td>36</td><td></td><td></td><td>34</td><td></td></tr> <tr><td colspan="3">73</td><td>32</td><td>31</td><td>30</td><td>29</td><td>28</td><td>27</td><td></td><td></td><td>23</td><td></td><td></td><td>20</td><td>19</td><td>18</td><td>17</td><td></td><td></td></tr> <tr><td colspan="3">73</td><td>16</td><td></td><td></td><td>13</td><td>12</td><td>11</td><td>10</td><td>9</td><td>7</td><td>6</td><td></td><td>4</td><td>3</td><td></td><td></td><td></td><td>1</td></tr> </table>	72	71		69		67		65	64	63			59	58	57	56							50	49	48	47						41		38	37	36			34		73			32	31	30	29	28	27			23			20	19	18	17			73			16			13	12	11	10	9	7	6		4	3				1
72	71		69		67		65	64	63			59	58	57	56																																																																							
		50	49	48	47						41		38	37	36			34																																																																				
73			32	31	30	29	28	27			23			20	19	18	17																																																																					
73			16			13	12	11	10	9	7	6		4	3				1																																																																			
AVAILABLE	NOT APPLICABLE	34566-1353	0	H	ST GRY	<table border="1"> <tr><td></td><td>79</td><td>78</td><td>77</td><td>76</td><td>75</td><td>74</td><td>73</td><td>72</td><td>71</td><td>70</td><td>69</td><td>68</td><td></td><td>66</td><td>65</td><td>64</td><td>63</td><td></td><td>61</td></tr> <tr><td>60</td><td>59</td><td>58</td><td>57</td><td>56</td><td></td><td></td><td>53</td><td></td><td></td><td>50</td><td></td><td></td><td></td><td></td><td></td><td>44</td><td>43</td><td></td><td>41</td></tr> <tr><td>40</td><td>39</td><td>38</td><td>37</td><td></td><td>35</td><td>34</td><td></td><td>32</td><td></td><td>30</td><td>29</td><td></td><td>27</td><td>26</td><td></td><td></td><td></td><td>22</td><td>21</td></tr> <tr><td>20</td><td>19</td><td>18</td><td>17</td><td></td><td></td><td></td><td>13</td><td>12</td><td>11</td><td></td><td></td><td>8</td><td></td><td>6</td><td>5</td><td></td><td>3</td><td>2</td><td></td></tr> </table>		79	78	77	76	75	74	73	72	71	70	69	68		66	65	64	63		61	60	59	58	57	56			53			50						44	43		41	40	39	38	37		35	34		32		30	29		27	26				22	21	20	19	18	17				13	12	11			8		6	5		3	2	
	79	78	77	76	75	74	73	72	71	70	69	68		66	65	64	63		61																																																																			
60	59	58	57	56			53			50						44	43		41																																																																			
40	39	38	37		35	34		32		30	29		27	26				22	21																																																																			
20	19	18	17				13	12	11			8		6	5		3	2																																																																				
AVAILABLE	NOT APPLICABLE	34566-1363	0	A	BLACK	<table border="1"> <tr><td>72</td><td>71</td><td></td><td>69</td><td>68</td><td>67</td><td>66</td><td></td><td>64</td><td>63</td><td>62</td><td></td><td></td><td>59</td><td></td><td></td><td></td><td></td><td></td><td>53</td></tr> <tr><td></td><td></td><td></td><td>48</td><td>46</td><td>44</td><td>43</td><td>42</td><td></td><td></td><td></td><td></td><td>39</td><td></td><td></td><td></td><td></td><td></td><td></td><td>33</td></tr> <tr><td colspan="3">73</td><td>32</td><td></td><td>29</td><td>27</td><td></td><td></td><td></td><td>24</td><td>23</td><td></td><td></td><td></td><td></td><td></td><td></td><td></td><td>17</td></tr> <tr><td colspan="3">73</td><td></td><td></td><td>14</td><td>13</td><td>12</td><td>11</td><td></td><td>9</td><td>8</td><td></td><td></td><td>5</td><td>4</td><td>3</td><td>2</td><td>1</td><td></td></tr> </table>	72	71		69	68	67	66		64	63	62			59						53				48	46	44	43	42					39							33	73			32		29	27				24	23								17	73					14	13	12	11		9	8			5	4	3	2	1	
72	71		69	68	67	66		64	63	62			59						53																																																																			
			48	46	44	43	42					39							33																																																																			
73			32		29	27				24	23								17																																																																			
73					14	13	12	11		9	8			5	4	3	2	1																																																																				

QUALITY SYMBOLS = 0 = 0 = 0 = 0 = 0 = 0 = 0 = 0 = 0	THIS DRAWING CONTAINS INFORMATION THAT IS PROPRIETARY TO MOLEX ELECTRONIC TECHNOLOGIES, LLC AND SHOULD NOT BE USED WITHOUT WRITTEN PERMISSION										
	2017/03/27	2017/03/30	GENERAL TOLERANCES (UNLESS SPECIFIED)		DIMENSION UNITS	SCALE					
	EC NO: 115012 DRWN: TYE CHKD: REV APPR: JDENG02	G49	ANGULAR TOL ± °		MM	1:1					
			4 PLACES ±	SKRAJENDRANA	DATE	2011/02/14					
			3 PLACES ±	CHKD BY	DATE						
			2 PLACES ±	MVANSLAMBROU	DATE	2011/02/14					
			1 PLACE ±	APPR BY	DATE						
	0 PLACES ±	DRAFT WHERE APPLICABLE MUST REMAIN WITHIN DIMENSIONS		DRAWING SIZE	THIRD ANGLE PROJECTION						
			D			SERIES: 34566 MATERIAL NUMBER: SEE BOM TABLE CUSTOMER: GENERAL MARKET					
			DOCUMENT NUMBER: SD-34566-001		DOC TYPE: PSD	DOC PART: 000					SHEET NUMBER: 18 OF 92

STATUS	GM PART #	MATERIAL #	WIRE DRESS OPTION	KEY OPTION	COLOR (TPA)	NUMBERS INDICATE CAVITIES OPEN FOR CIRCUITS																																																																																								
AVAILABLE	NOT APPLICABLE	34566-1593	0	B	ST GRY	<table border="1"> <tr><td></td><td></td><td></td><td></td><td></td><td>67</td><td></td><td>65</td><td></td><td></td><td></td><td>61</td><td>60</td><td>59</td><td>58</td><td>57</td><td></td><td></td><td>54</td><td>53</td></tr> <tr><td></td><td>51</td><td>50</td><td>49</td><td>48</td><td>47</td><td>46</td><td>45</td><td></td><td></td><td>43</td><td>42</td><td></td><td>40</td><td>39</td><td></td><td>37</td><td></td><td></td><td>34</td><td>33</td></tr> <tr><td></td><td colspan="2">73</td><td></td><td>32</td><td>31</td><td>30</td><td></td><td></td><td></td><td></td><td>26</td><td></td><td>24</td><td>23</td><td>22</td><td>21</td><td>20</td><td></td><td></td><td></td></tr> <tr><td></td><td></td><td></td><td></td><td>16</td><td>15</td><td>14</td><td>13</td><td></td><td></td><td></td><td>10</td><td>9</td><td>8</td><td>7</td><td>6</td><td>5</td><td>4</td><td></td><td></td><td></td></tr> </table>						67		65				61	60	59	58	57			54	53		51	50	49	48	47	46	45			43	42		40	39		37			34	33		73			32	31	30					26		24	23	22	21	20								16	15	14	13				10	9	8	7	6	5	4								
					67		65				61	60	59	58	57			54	53																																																																											
	51	50	49	48	47	46	45			43	42		40	39		37			34	33																																																																										
	73			32	31	30					26		24	23	22	21	20																																																																													
				16	15	14	13				10	9	8	7	6	5	4																																																																													
AVAILABLE	NOT APPLICABLE	34566-1613	0	H	ST GRY	<table border="1"> <tr><td></td><td></td><td>79</td><td>78</td><td>77</td><td>76</td><td>75</td><td>74</td><td>73</td><td>72</td><td>71</td><td>70</td><td>69</td><td>68</td><td></td><td>66</td><td>65</td><td>64</td><td>63</td><td></td><td>61</td></tr> <tr><td></td><td>60</td><td>59</td><td>58</td><td>57</td><td>56</td><td></td><td></td><td>53</td><td></td><td></td><td>50</td><td></td><td></td><td></td><td></td><td></td><td>44</td><td>43</td><td></td><td>41</td></tr> <tr><td></td><td>40</td><td>39</td><td>38</td><td>37</td><td></td><td>35</td><td>34</td><td>33</td><td>32</td><td></td><td>30</td><td>29</td><td></td><td>27</td><td>26</td><td></td><td>24</td><td>23</td><td>22</td><td>21</td></tr> <tr><td></td><td>20</td><td>19</td><td>18</td><td>17</td><td></td><td></td><td>14</td><td>13</td><td>12</td><td>11</td><td>10</td><td>9</td><td>8</td><td></td><td>6</td><td>5</td><td></td><td>3</td><td>2</td><td></td></tr> </table>			79	78	77	76	75	74	73	72	71	70	69	68		66	65	64	63		61		60	59	58	57	56			53			50						44	43		41		40	39	38	37		35	34	33	32		30	29		27	26		24	23	22	21		20	19	18	17			14	13	12	11	10	9	8		6	5		3	2					
		79	78	77	76	75	74	73	72	71	70	69	68		66	65	64	63		61																																																																										
	60	59	58	57	56			53			50						44	43		41																																																																										
	40	39	38	37		35	34	33	32		30	29		27	26		24	23	22	21																																																																										
	20	19	18	17			14	13	12	11	10	9	8		6	5		3	2																																																																											
AVAILABLE	NOT APPLICABLE	34566-1623	0	B	ST GRY	<table border="1"> <tr><td></td><td></td><td></td><td></td><td></td><td></td><td></td><td></td><td>66</td><td>65</td><td></td><td></td><td></td><td></td><td>62</td><td></td><td>59</td><td></td><td>57</td><td></td><td>55</td><td>53</td></tr> <tr><td></td><td></td><td></td><td></td><td></td><td>48</td><td>47</td><td></td><td></td><td></td><td></td><td></td><td></td><td></td><td>42</td><td></td><td>39</td><td></td><td>37</td><td></td><td>35</td><td>33</td></tr> <tr><td></td><td colspan="2">73</td><td></td><td></td><td></td><td></td><td></td><td></td><td>29</td><td></td><td></td><td></td><td></td><td>26</td><td></td><td>23</td><td></td><td>21</td><td></td><td></td><td>17</td></tr> <tr><td></td><td></td><td></td><td></td><td></td><td></td><td></td><td></td><td></td><td>12</td><td></td><td></td><td>9</td><td></td><td>7</td><td></td><td></td><td></td><td></td><td></td><td></td><td></td></tr> </table>									66	65					62		59		57		55	53						48	47								42		39		37		35	33		73								29					26		23		21			17										12			9		7							
								66	65					62		59		57		55	53																																																																									
					48	47								42		39		37		35	33																																																																									
	73								29					26		23		21			17																																																																									
									12			9		7																																																																																
AVAILABLE	NOT APPLICABLE	34566-1633	0	B	ST GRY	<table border="1"> <tr><td></td><td></td><td></td><td>69</td><td>68</td><td></td><td>66</td><td></td><td></td><td></td><td></td><td></td><td></td><td></td><td></td><td>59</td><td></td><td>57</td><td></td><td>55</td><td>53</td></tr> <tr><td></td><td></td><td>50</td><td></td><td>48</td><td>47</td><td></td><td></td><td></td><td></td><td></td><td></td><td></td><td></td><td></td><td>39</td><td></td><td>37</td><td></td><td>35</td><td>33</td></tr> <tr><td></td><td colspan="2">73</td><td></td><td></td><td></td><td></td><td></td><td>29</td><td></td><td></td><td></td><td></td><td></td><td></td><td>23</td><td></td><td>21</td><td></td><td></td><td>17</td></tr> <tr><td></td><td></td><td></td><td></td><td></td><td>15</td><td></td><td></td><td></td><td>12</td><td>11</td><td>10</td><td></td><td></td><td>7</td><td>6</td><td>5</td><td>4</td><td>3</td><td></td><td></td><td></td></tr> </table>				69	68		66									59		57		55	53			50		48	47										39		37		35	33		73							29							23		21			17						15				12	11	10			7	6	5	4	3						
			69	68		66									59		57		55	53																																																																										
		50		48	47										39		37		35	33																																																																										
	73							29							23		21			17																																																																										
					15				12	11	10			7	6	5	4	3																																																																												
AVAILABLE	NOT APPLICABLE	34566-1643	0	B	ST GRY	<table border="1"> <tr><td></td><td></td><td></td><td>69</td><td>68</td><td></td><td>66</td><td></td><td></td><td></td><td></td><td></td><td></td><td></td><td></td><td>59</td><td></td><td>57</td><td></td><td>55</td><td>53</td></tr> <tr><td></td><td></td><td>50</td><td></td><td>48</td><td>46</td><td></td><td></td><td></td><td></td><td></td><td></td><td></td><td></td><td></td><td>39</td><td></td><td>37</td><td></td><td>35</td><td>33</td></tr> <tr><td></td><td colspan="2">73</td><td></td><td></td><td></td><td></td><td></td><td>29</td><td></td><td></td><td></td><td></td><td></td><td></td><td>23</td><td></td><td>21</td><td></td><td></td><td>17</td></tr> <tr><td></td><td></td><td></td><td></td><td></td><td>15</td><td></td><td></td><td></td><td>12</td><td>11</td><td>10</td><td></td><td></td><td>7</td><td>6</td><td>5</td><td>4</td><td>3</td><td></td><td></td><td></td></tr> </table>				69	68		66									59		57		55	53			50		48	46										39		37		35	33		73							29							23		21			17						15				12	11	10			7	6	5	4	3						
			69	68		66									59		57		55	53																																																																										
		50		48	46										39		37		35	33																																																																										
	73							29							23		21			17																																																																										
					15				12	11	10			7	6	5	4	3																																																																												
AVAILABLE	NOT APPLICABLE	34566-1653	0	B	ST GRY	<table border="1"> <tr><td></td><td></td><td></td><td></td><td></td><td></td><td>66</td><td></td><td></td><td></td><td></td><td></td><td></td><td></td><td></td><td>59</td><td></td><td>57</td><td></td><td>55</td><td>53</td></tr> <tr><td></td><td></td><td>50</td><td></td><td>48</td><td>46</td><td></td><td></td><td></td><td></td><td></td><td></td><td></td><td></td><td></td><td>39</td><td></td><td>37</td><td></td><td>35</td><td>33</td></tr> <tr><td></td><td colspan="2">73</td><td></td><td></td><td></td><td></td><td></td><td>29</td><td></td><td></td><td></td><td></td><td></td><td></td><td>23</td><td></td><td>21</td><td></td><td></td><td>17</td></tr> <tr><td></td><td></td><td></td><td></td><td></td><td>15</td><td></td><td></td><td></td><td>12</td><td></td><td></td><td></td><td></td><td>7</td><td>6</td><td>5</td><td>4</td><td>3</td><td></td><td></td><td></td></tr> </table>							66									59		57		55	53			50		48	46										39		37		35	33		73							29							23		21			17						15				12					7	6	5	4	3						
						66									59		57		55	53																																																																										
		50		48	46										39		37		35	33																																																																										
	73							29							23		21			17																																																																										
					15				12					7	6	5	4	3																																																																												
AVAILABLE	NOT APPLICABLE	34566-1663	0	B	ST GRY	<table border="1"> <tr><td></td><td></td><td></td><td></td><td></td><td></td><td>66</td><td></td><td></td><td></td><td></td><td></td><td></td><td></td><td></td><td>59</td><td></td><td>57</td><td></td><td>55</td><td>53</td></tr> <tr><td></td><td></td><td>50</td><td></td><td>48</td><td>46</td><td></td><td></td><td></td><td></td><td></td><td></td><td></td><td></td><td></td><td>39</td><td></td><td>37</td><td></td><td>35</td><td>33</td></tr> <tr><td></td><td colspan="2">73</td><td></td><td></td><td></td><td></td><td></td><td>29</td><td></td><td></td><td></td><td></td><td></td><td></td><td>23</td><td></td><td>21</td><td></td><td></td><td>17</td></tr> <tr><td></td><td></td><td></td><td></td><td></td><td>15</td><td></td><td></td><td></td><td>12</td><td>11</td><td>10</td><td></td><td></td><td>7</td><td>6</td><td>5</td><td>4</td><td>3</td><td></td><td></td><td></td></tr> </table>							66									59		57		55	53			50		48	46										39		37		35	33		73							29							23		21			17						15				12	11	10			7	6	5	4	3						
						66									59		57		55	53																																																																										
		50		48	46										39		37		35	33																																																																										
	73							29							23		21			17																																																																										
					15				12	11	10			7	6	5	4	3																																																																												
AVAILABLE	NOT APPLICABLE	34566-1673	0	A	BLACK	<table border="1"> <tr><td>72</td><td>71</td><td>70</td><td>69</td><td>68</td><td>67</td><td>66</td><td>65</td><td>64</td><td>63</td><td>62</td><td></td><td>60</td><td>59</td><td></td><td></td><td></td><td></td><td>55</td><td>54</td><td>53</td></tr> <tr><td>52</td><td></td><td></td><td>49</td><td>48</td><td></td><td></td><td>45</td><td>44</td><td>43</td><td>42</td><td>41</td><td>40</td><td>39</td><td></td><td></td><td></td><td></td><td>35</td><td>34</td><td>33</td></tr> <tr><td colspan="2">73</td><td></td><td></td><td>32</td><td></td><td></td><td>29</td><td></td><td>27</td><td></td><td>25</td><td>24</td><td>23</td><td></td><td></td><td></td><td></td><td>19</td><td>18</td><td>17</td></tr> <tr><td></td><td></td><td></td><td></td><td>16</td><td></td><td></td><td>13</td><td>12</td><td>11</td><td></td><td>9</td><td>8</td><td>7</td><td>6</td><td>5</td><td>4</td><td>3</td><td>2</td><td>1</td><td></td><td></td></tr> </table>	72	71	70	69	68	67	66	65	64	63	62		60	59					55	54	53	52			49	48			45	44	43	42	41	40	39					35	34	33	73				32			29		27		25	24	23					19	18	17					16			13	12	11		9	8	7	6	5	4	3	2	1					
72	71	70	69	68	67	66	65	64	63	62		60	59					55	54	53																																																																										
52			49	48			45	44	43	42	41	40	39					35	34	33																																																																										
73				32			29		27		25	24	23					19	18	17																																																																										
				16			13	12	11		9	8	7	6	5	4	3	2	1																																																																											
AVAILABLE	NOT APPLICABLE	34566-1683	0	B	ST GRY	<table border="1"> <tr><td></td><td></td><td></td><td></td><td></td><td></td><td>67</td><td>66</td><td></td><td></td><td></td><td></td><td></td><td></td><td>59</td><td>58</td><td>57</td><td>56</td><td>55</td><td></td><td>53</td></tr> <tr><td></td><td></td><td>50</td><td>49</td><td>48</td><td></td><td></td><td></td><td></td><td></td><td></td><td></td><td></td><td></td><td>39</td><td>38</td><td>37</td><td>36</td><td>35</td><td></td><td>33</td></tr> <tr><td></td><td colspan="2">73</td><td></td><td></td><td></td><td></td><td></td><td>29</td><td>27</td><td></td><td></td><td></td><td></td><td>23</td><td>22</td><td>21</td><td></td><td></td><td></td><td></td><td></td></tr> <tr><td></td><td></td><td></td><td></td><td></td><td>16</td><td>15</td><td>14</td><td>13</td><td></td><td></td><td></td><td></td><td></td><td>8</td><td>7</td><td>6</td><td>5</td><td>4</td><td>3</td><td></td><td></td></tr> </table>							67	66							59	58	57	56	55		53			50	49	48										39	38	37	36	35		33		73							29	27					23	22	21											16	15	14	13						8	7	6	5	4	3				
						67	66							59	58	57	56	55		53																																																																										
		50	49	48										39	38	37	36	35		33																																																																										
	73							29	27					23	22	21																																																																														
					16	15	14	13						8	7	6	5	4	3																																																																											

QUALITY SYMBOLS 	THIS DRAWING CONTAINS INFORMATION THAT IS PROPRIETARY TO MOLEX ELECTRONIC TECHNOLOGIES, LLC AND SHOULD NOT BE USED WITHOUT WRITTEN PERMISSION											
	EC NO: 115012	DRWN: TYE	CHKD: JDENG02	REV: APPR: JDENG02	GENERAL TOLERANCES (UNLESS SPECIFIED)		DIMENSION UNITS	SCALE	 MX123 66/73/80CKT HRNS CONN ASSY PRODUCT CUSTOMER DRAWING			
	2017/03/27	2017/03/30	ANGULAR TOL ± °		MM	1:1						
	4 PLACES ±		DRWN BY	DATE	SKRAJENDRANA 2011/02/14							
	3 PLACES ±		CHKD BY	DATE	MVANSLAMBROU 2011/02/14							
	2 PLACES ±		APPR BY	DATE								
	1 PLACE ±		DRAWING SIZE		THIRD ANGLE PROJECTION		SERIES			CUSTOMER		
	0 PLACES ±		DRAFT WHERE APPLICABLE MUST REMAIN WITHIN DIMENSIONS		D		34566		SEE BOM TABLE		GENERAL MARKET	
	DOCUMENT NUMBER		DOC TYPE		DOC PART		SHEET NUMBER					
	SD-34566-001		PSD		000		21 OF 92					

STATUS	GM PART #	MATERIAL #	WIRE DRESS OPTION	KEY OPTION ▽	COLOR (TPA) ▽	NUMBERS INDICATE CAVITIES OPEN FOR CIRCUITS ▽																																																																																		
AVAILABLE	NOT APPLICABLE	34566-1773	0	C	BLUE	<table border="1"> <tr><td>72</td><td>70</td><td></td><td>67</td><td>66</td><td></td><td>63</td><td>62</td><td></td><td>59</td><td>57</td><td></td><td></td><td>53</td></tr> <tr><td>52</td><td>51</td><td></td><td></td><td>46</td><td></td><td>44</td><td>42</td><td></td><td>40</td><td>39</td><td></td><td></td><td>34</td><td>33</td></tr> <tr><td colspan="2">73</td><td></td><td></td><td>30</td><td></td><td></td><td>27</td><td>26</td><td>25</td><td></td><td></td><td>22</td><td>21</td><td>20</td></tr> <tr><td colspan="2"></td><td></td><td></td><td>15</td><td>14</td><td></td><td></td><td>10</td><td>9</td><td></td><td></td><td>6</td><td>5</td><td>4</td></tr> </table>	72	70		67	66		63	62		59	57			53	52	51			46		44	42		40	39			34	33	73				30			27	26	25			22	21	20					15	14			10	9			6	5	4																							
72	70		67	66		63	62		59	57			53																																																																											
52	51			46		44	42		40	39			34	33																																																																										
73				30			27	26	25			22	21	20																																																																										
				15	14			10	9			6	5	4																																																																										
AVAILABLE	NOT APPLICABLE	34566-1783	0	C	BLUE	<table border="1"> <tr><td>72</td><td>70</td><td></td><td>67</td><td>66</td><td></td><td>63</td><td>62</td><td></td><td>59</td><td>57</td><td></td><td></td><td>53</td></tr> <tr><td>52</td><td>51</td><td></td><td></td><td>46</td><td></td><td>44</td><td>42</td><td></td><td>40</td><td>39</td><td></td><td></td><td>34</td><td>33</td></tr> <tr><td colspan="2">73</td><td></td><td></td><td>30</td><td></td><td></td><td>26</td><td>25</td><td></td><td></td><td></td><td>22</td><td>21</td><td>20</td></tr> <tr><td colspan="2"></td><td></td><td></td><td>15</td><td>14</td><td></td><td></td><td>10</td><td>9</td><td></td><td></td><td>6</td><td>5</td><td>4</td></tr> </table>	72	70		67	66		63	62		59	57			53	52	51			46		44	42		40	39			34	33	73				30			26	25				22	21	20					15	14			10	9			6	5	4																							
72	70		67	66		63	62		59	57			53																																																																											
52	51			46		44	42		40	39			34	33																																																																										
73				30			26	25				22	21	20																																																																										
				15	14			10	9			6	5	4																																																																										
AVAILABLE	NOT APPLICABLE	34566-1793	0	A	BLACK	<table border="1"> <tr><td></td><td></td><td></td><td>69</td><td></td><td></td><td></td><td>63</td><td>62</td><td>61</td><td></td><td></td><td>58</td><td>57</td><td>56</td><td>55</td><td>54</td><td>53</td></tr> <tr><td>52</td><td>51</td><td></td><td>49</td><td></td><td></td><td></td><td>44</td><td>43</td><td>42</td><td>41</td><td></td><td></td><td>37</td><td>36</td><td>35</td><td>34</td><td>33</td></tr> <tr><td colspan="2">73</td><td></td><td></td><td>32</td><td></td><td></td><td>29</td><td>28</td><td>27</td><td>26</td><td></td><td></td><td></td><td></td><td>19</td><td>18</td><td></td></tr> <tr><td colspan="2"></td><td></td><td></td><td>16</td><td></td><td></td><td>13</td><td>12</td><td>11</td><td>10</td><td></td><td></td><td></td><td></td><td>3</td><td></td><td></td></tr> </table>				69				63	62	61			58	57	56	55	54	53	52	51		49				44	43	42	41			37	36	35	34	33	73				32			29	28	27	26					19	18						16			13	12	11	10					3												
			69				63	62	61			58	57	56	55	54	53																																																																							
52	51		49				44	43	42	41			37	36	35	34	33																																																																							
73				32			29	28	27	26					19	18																																																																								
				16			13	12	11	10					3																																																																									
AVAILABLE	NOT APPLICABLE	34566-1813	0	B	ST GRY	<table border="1"> <tr><td>72</td><td>71</td><td>70</td><td></td><td>68</td><td>67</td><td>66</td><td></td><td></td><td></td><td>62</td><td>61</td><td>60</td><td>59</td><td>58</td><td>57</td><td>56</td><td>55</td><td>54</td><td>53</td></tr> <tr><td>52</td><td>51</td><td>50</td><td></td><td>48</td><td>47</td><td>46</td><td></td><td></td><td></td><td>42</td><td>41</td><td>40</td><td>39</td><td>38</td><td>37</td><td>36</td><td>35</td><td>34</td><td>33</td></tr> <tr><td colspan="2">73</td><td></td><td></td><td>32</td><td>31</td><td>30</td><td>29</td><td>28</td><td>27</td><td>26</td><td>25</td><td>24</td><td>23</td><td></td><td></td><td></td><td></td><td></td><td></td></tr> <tr><td colspan="2"></td><td></td><td></td><td>16</td><td>15</td><td>14</td><td>13</td><td></td><td></td><td>10</td><td>9</td><td>8</td><td></td><td></td><td></td><td></td><td></td><td></td><td></td></tr> </table>	72	71	70		68	67	66				62	61	60	59	58	57	56	55	54	53	52	51	50		48	47	46				42	41	40	39	38	37	36	35	34	33	73				32	31	30	29	28	27	26	25	24	23											16	15	14	13			10	9	8									
72	71	70		68	67	66				62	61	60	59	58	57	56	55	54	53																																																																					
52	51	50		48	47	46				42	41	40	39	38	37	36	35	34	33																																																																					
73				32	31	30	29	28	27	26	25	24	23																																																																											
				16	15	14	13			10	9	8																																																																												
AVAILABLE	NOT APPLICABLE	34566-1823	0	A	BLACK	<table border="1"> <tr><td>72</td><td>71</td><td>70</td><td>69</td><td>68</td><td></td><td>66</td><td>65</td><td>64</td><td></td><td></td><td>61</td><td></td><td>59</td><td>58</td><td></td><td>56</td><td></td><td>54</td><td>53</td></tr> <tr><td>52</td><td></td><td>50</td><td>49</td><td></td><td>47</td><td></td><td></td><td></td><td></td><td>42</td><td>41</td><td></td><td></td><td>38</td><td>37</td><td>36</td><td></td><td>34</td><td>33</td></tr> <tr><td colspan="2">73</td><td></td><td></td><td>32</td><td>31</td><td>30</td><td>29</td><td>28</td><td>27</td><td>26</td><td></td><td>24</td><td>23</td><td>22</td><td>21</td><td>20</td><td>19</td><td>18</td><td>17</td></tr> <tr><td colspan="2"></td><td></td><td></td><td>16</td><td></td><td></td><td>13</td><td>12</td><td>11</td><td>10</td><td>9</td><td>8</td><td></td><td></td><td></td><td></td><td></td><td></td><td>1</td></tr> </table>	72	71	70	69	68		66	65	64			61		59	58		56		54	53	52		50	49		47					42	41			38	37	36		34	33	73				32	31	30	29	28	27	26		24	23	22	21	20	19	18	17					16			13	12	11	10	9	8							1		
72	71	70	69	68		66	65	64			61		59	58		56		54	53																																																																					
52		50	49		47					42	41			38	37	36		34	33																																																																					
73				32	31	30	29	28	27	26		24	23	22	21	20	19	18	17																																																																					
				16			13	12	11	10	9	8							1																																																																					
AVAILABLE	NOT APPLICABLE	34566-1833	0	A	BLACK	<table border="1"> <tr><td></td><td></td><td></td><td></td><td>68</td><td></td><td></td><td>65</td><td></td><td>63</td><td></td><td>61</td><td></td><td>59</td><td>58</td><td></td><td>56</td><td></td><td></td><td></td></tr> <tr><td>52</td><td></td><td>50</td><td></td><td></td><td>47</td><td></td><td></td><td></td><td></td><td>42</td><td>41</td><td></td><td></td><td>38</td><td>37</td><td>36</td><td></td><td>34</td><td>33</td></tr> <tr><td colspan="2">73</td><td></td><td></td><td>32</td><td>31</td><td>30</td><td>29</td><td>28</td><td>27</td><td></td><td>25</td><td>24</td><td>23</td><td></td><td></td><td>20</td><td>19</td><td>18</td><td>17</td></tr> <tr><td colspan="2"></td><td></td><td></td><td>16</td><td></td><td></td><td>13</td><td>12</td><td>11</td><td>10</td><td></td><td></td><td></td><td></td><td></td><td></td><td></td><td></td><td>1</td></tr> </table>					68			65		63		61		59	58		56				52		50			47					42	41			38	37	36		34	33	73				32	31	30	29	28	27		25	24	23			20	19	18	17					16			13	12	11	10									1		
				68			65		63		61		59	58		56																																																																								
52		50			47					42	41			38	37	36		34	33																																																																					
73				32	31	30	29	28	27		25	24	23			20	19	18	17																																																																					
				16			13	12	11	10									1																																																																					
AVAILABLE	NOT APPLICABLE	34566-1843	0	A	BLACK	<table border="1"> <tr><td></td><td></td><td></td><td></td><td>68</td><td></td><td></td><td>65</td><td></td><td>63</td><td></td><td>61</td><td></td><td>59</td><td>58</td><td></td><td>56</td><td></td><td></td><td>53</td></tr> <tr><td>52</td><td></td><td>50</td><td></td><td></td><td>47</td><td></td><td></td><td></td><td></td><td>42</td><td>41</td><td></td><td></td><td>38</td><td>37</td><td>36</td><td>35</td><td>34</td><td>33</td></tr> <tr><td colspan="2">73</td><td></td><td></td><td>32</td><td>31</td><td>30</td><td>29</td><td>28</td><td>27</td><td></td><td>24</td><td>23</td><td>22</td><td>21</td><td>20</td><td>19</td><td>18</td><td>17</td><td></td></tr> <tr><td colspan="2"></td><td></td><td></td><td>16</td><td>15</td><td>14</td><td>13</td><td>12</td><td>11</td><td>10</td><td></td><td></td><td></td><td></td><td></td><td></td><td></td><td></td><td>1</td></tr> </table>					68			65		63		61		59	58		56			53	52		50			47					42	41			38	37	36	35	34	33	73				32	31	30	29	28	27		24	23	22	21	20	19	18	17						16	15	14	13	12	11	10									1		
				68			65		63		61		59	58		56			53																																																																					
52		50			47					42	41			38	37	36	35	34	33																																																																					
73				32	31	30	29	28	27		24	23	22	21	20	19	18	17																																																																						
				16	15	14	13	12	11	10									1																																																																					
AVAILABLE	NOT APPLICABLE	34566-1853	0	A	BLACK	<table border="1"> <tr><td>72</td><td></td><td>70</td><td>69</td><td>68</td><td>67</td><td></td><td>65</td><td></td><td>63</td><td></td><td>61</td><td>60</td><td></td><td></td><td>57</td><td>56</td><td>55</td><td>54</td><td>53</td></tr> <tr><td>52</td><td></td><td>50</td><td>49</td><td>48</td><td>47</td><td></td><td></td><td>44</td><td>43</td><td></td><td>41</td><td>40</td><td></td><td></td><td>37</td><td>36</td><td>35</td><td>34</td><td>33</td></tr> <tr><td colspan="2">73</td><td></td><td></td><td></td><td></td><td></td><td>30</td><td>29</td><td>28</td><td></td><td>25</td><td>24</td><td></td><td></td><td>21</td><td>20</td><td>19</td><td>18</td><td>17</td></tr> <tr><td colspan="2"></td><td></td><td></td><td></td><td></td><td></td><td>16</td><td>15</td><td></td><td></td><td>11</td><td>10</td><td>9</td><td>8</td><td>7</td><td>6</td><td>5</td><td>4</td><td>3</td><td>2</td><td>1</td></tr> </table>	72		70	69	68	67		65		63		61	60			57	56	55	54	53	52		50	49	48	47			44	43		41	40			37	36	35	34	33	73							30	29	28		25	24			21	20	19	18	17								16	15			11	10	9	8	7	6	5	4	3	2	1
72		70	69	68	67		65		63		61	60			57	56	55	54	53																																																																					
52		50	49	48	47			44	43		41	40			37	36	35	34	33																																																																					
73							30	29	28		25	24			21	20	19	18	17																																																																					
							16	15			11	10	9	8	7	6	5	4	3	2	1																																																																			
AVAILABLE	NOT APPLICABLE	34566-1863	0	B	ST GRY	<table border="1"> <tr><td></td><td></td><td></td><td></td><td>68</td><td>67</td><td>66</td><td>65</td><td>64</td><td>63</td><td></td><td></td><td></td><td></td><td></td><td></td><td></td><td></td><td></td><td></td></tr> <tr><td colspan="2">73</td><td></td><td></td><td></td><td>46</td><td>45</td><td></td><td>43</td><td></td><td></td><td></td><td></td><td></td><td></td><td></td><td></td><td></td><td></td><td>17</td></tr> <tr><td colspan="2"></td><td></td><td></td><td></td><td>32</td><td>30</td><td>29</td><td>28</td><td>27</td><td></td><td></td><td></td><td></td><td></td><td></td><td></td><td></td><td></td><td></td></tr> <tr><td colspan="2"></td><td></td><td></td><td></td><td>16</td><td></td><td></td><td></td><td>10</td><td></td><td></td><td></td><td></td><td></td><td></td><td></td><td></td><td></td><td></td></tr> </table>					68	67	66	65	64	63											73					46	45		43											17						32	30	29	28	27																16				10												
				68	67	66	65	64	63																																																																															
73					46	45		43											17																																																																					
					32	30	29	28	27																																																																															
					16				10																																																																															

QUALITY SYMBOLS ▽ = 0 ▽ = 0 ▽ = 0 ▽ = 0 ▽ = 0 ▽ = 0 ▽ = 0 ▽ = 0 ▽ = 0	THIS DRAWING CONTAINS INFORMATION THAT IS PROPRIETARY TO MOLEX ELECTRONIC TECHNOLOGIES, LLC AND SHOULD NOT BE USED WITHOUT WRITTEN PERMISSION									
	2017/03/27	2017/03/30	GENERAL TOLERANCES (UNLESS SPECIFIED)		DIMENSION UNITS	SCALE	 MX123 66/73/80CKT HRNS CONN ASSY			
	DRWN: TYE	CHKD: JDENG02	ANGULAR TOL ± °		MM	1:1				
	EC NO: 115012 G49	REV: APPR: JDENG02	4 PLACES ±		DRWN BY	DATE	PRODUCT CUSTOMER DRAWING SERIES: 34566 MATERIAL NUMBER: SEE BOM TABLE CUSTOMER: GENERAL MARKET DOCUMENT NUMBER: SD-34566-001 DOC TYPE: PSD DOC PART: 000 SHEET NUMBER: 23 OF 92			
			3 PLACES ±		SKRAJENDRANA	2011/02/14				
			2 PLACES ±		CHKD BY	DATE				
			1 PLACE ±		MVANSLAMBROU	2011/02/14				
	0 PLACES ±		APPR BY		DATE	DRAWING SIZE		THIRD ANGLE PROJECTION		
	DRAFT WHERE APPLICABLE MUST REMAIN WITHIN DIMENSIONS									
					D					

STATUS	GM PART #	MATERIAL #	WIRE DRESS OPTION	KEY OPTION	COLOR (TPA)	NUMBERS INDICATE CAVITIES OPEN FOR CIRCUITS																																																																																																						
AVAILABLE	NOT APPLICABLE	34566-1873	0	C	BLUE	<table border="1"> <tr><td>72</td><td>70</td><td></td><td></td><td>67</td><td>66</td><td></td><td></td><td>63</td><td>62</td><td></td><td></td><td>59</td><td>57</td><td></td><td></td><td>53</td></tr> <tr><td>52</td><td>51</td><td></td><td></td><td></td><td>46</td><td></td><td>44</td><td>42</td><td>40</td><td>39</td><td></td><td></td><td></td><td></td><td>34</td><td>33</td></tr> <tr><td colspan="2">73</td><td></td><td>32</td><td></td><td>30</td><td></td><td></td><td>27</td><td>26</td><td>25</td><td></td><td></td><td>22</td><td>21</td><td>20</td><td></td></tr> <tr><td colspan="2"></td><td></td><td></td><td>15</td><td>14</td><td></td><td></td><td></td><td>10</td><td>9</td><td></td><td></td><td>6</td><td>5</td><td>4</td><td></td></tr> </table>	72	70			67	66			63	62			59	57			53	52	51				46		44	42	40	39					34	33	73			32		30			27	26	25			22	21	20						15	14				10	9			6	5	4																																			
72	70			67	66			63	62			59	57			53																																																																																												
52	51				46		44	42	40	39					34	33																																																																																												
73			32		30			27	26	25			22	21	20																																																																																													
				15	14				10	9			6	5	4																																																																																													
AVAILABLE	NOT APPLICABLE	34566-1883	0	A	BLACK	<table border="1"> <tr><td></td><td>70</td><td></td><td>68</td><td>67</td><td>66</td><td>65</td><td></td><td></td><td></td><td></td><td></td><td></td><td>58</td><td>57</td><td></td><td>55</td></tr> <tr><td></td><td></td><td>49</td><td></td><td>47</td><td></td><td></td><td>44</td><td>43</td><td>42</td><td>41</td><td>40</td><td>39</td><td></td><td>37</td><td></td><td>35</td></tr> <tr><td colspan="2">73</td><td></td><td>32</td><td></td><td>30</td><td></td><td></td><td>27</td><td></td><td>25</td><td>24</td><td></td><td></td><td>21</td><td>20</td><td>19</td></tr> <tr><td colspan="2"></td><td></td><td></td><td>16</td><td>15</td><td></td><td>13</td><td></td><td></td><td>10</td><td>9</td><td>8</td><td></td><td>6</td><td>5</td><td>3</td></tr> <tr><td colspan="2"></td><td></td><td></td><td></td><td></td><td></td><td></td><td></td><td></td><td></td><td></td><td></td><td></td><td></td><td></td><td>2</td></tr> <tr><td colspan="2"></td><td></td><td></td><td></td><td></td><td></td><td></td><td></td><td></td><td></td><td></td><td></td><td></td><td></td><td></td><td>1</td></tr> </table>		70		68	67	66	65							58	57		55			49		47			44	43	42	41	40	39		37		35	73			32		30			27		25	24			21	20	19					16	15		13			10	9	8		6	5	3																	2																	1
	70		68	67	66	65							58	57		55																																																																																												
		49		47			44	43	42	41	40	39		37		35																																																																																												
73			32		30			27		25	24			21	20	19																																																																																												
				16	15		13			10	9	8		6	5	3																																																																																												
																2																																																																																												
																1																																																																																												
AVAILABLE	NOT APPLICABLE	34566-1893	0	C	BLUE	<table border="1"> <tr><td>72</td><td>70</td><td></td><td></td><td></td><td>66</td><td></td><td></td><td>63</td><td></td><td></td><td></td><td>59</td><td>57</td><td></td><td></td><td>53</td></tr> <tr><td>52</td><td>51</td><td></td><td></td><td></td><td>46</td><td></td><td>44</td><td>42</td><td>40</td><td>39</td><td></td><td></td><td></td><td></td><td></td><td>34</td></tr> <tr><td colspan="2">73</td><td></td><td>32</td><td></td><td>30</td><td></td><td></td><td>27</td><td>26</td><td>25</td><td></td><td></td><td>22</td><td>21</td><td>20</td><td></td></tr> <tr><td colspan="2"></td><td></td><td></td><td>15</td><td>14</td><td></td><td></td><td></td><td>10</td><td>9</td><td></td><td></td><td>6</td><td>5</td><td>4</td><td></td></tr> </table>	72	70				66			63				59	57			53	52	51				46		44	42	40	39						34	73			32		30			27	26	25			22	21	20						15	14				10	9			6	5	4																																			
72	70				66			63				59	57			53																																																																																												
52	51				46		44	42	40	39						34																																																																																												
73			32		30			27	26	25			22	21	20																																																																																													
				15	14				10	9			6	5	4																																																																																													
AVAILABLE	NOT APPLICABLE	34566-1913	0	B	ST GRY	<table border="1"> <tr><td>72</td><td>70</td><td></td><td>68</td><td></td><td>66</td><td></td><td></td><td></td><td></td><td></td><td></td><td>60</td><td>59</td><td></td><td></td><td>55</td><td>54</td><td>53</td></tr> <tr><td>52</td><td>50</td><td></td><td>48</td><td>46</td><td></td><td></td><td></td><td></td><td></td><td></td><td></td><td>40</td><td>39</td><td></td><td></td><td>35</td><td>34</td><td>33</td></tr> <tr><td colspan="2">73</td><td></td><td>32</td><td>31</td><td>30</td><td>29</td><td>28</td><td>27</td><td>26</td><td>25</td><td>24</td><td></td><td></td><td></td><td></td><td></td><td></td><td></td></tr> <tr><td colspan="2"></td><td></td><td></td><td>16</td><td></td><td></td><td></td><td></td><td></td><td>10</td><td>9</td><td>8</td><td></td><td></td><td></td><td></td><td></td><td></td></tr> </table>	72	70		68		66							60	59			55	54	53	52	50		48	46								40	39			35	34	33	73			32	31	30	29	28	27	26	25	24												16						10	9	8																																
72	70		68		66							60	59			55	54	53																																																																																										
52	50		48	46								40	39			35	34	33																																																																																										
73			32	31	30	29	28	27	26	25	24																																																																																																	
				16						10	9	8																																																																																																
AVAILABLE	NOT APPLICABLE	34566-1923	0	A	BLACK	<table border="1"> <tr><td></td><td></td><td></td><td>69</td><td></td><td></td><td></td><td></td><td>63</td><td></td><td></td><td></td><td></td><td>58</td><td>56</td><td>55</td><td>54</td><td>53</td></tr> <tr><td>52</td><td>51</td><td></td><td>49</td><td></td><td></td><td></td><td></td><td>44</td><td>43</td><td>42</td><td>41</td><td></td><td></td><td>36</td><td>35</td><td>34</td><td>33</td></tr> <tr><td colspan="2">73</td><td></td><td>32</td><td></td><td></td><td></td><td></td><td>28</td><td></td><td>26</td><td></td><td></td><td></td><td></td><td>19</td><td>18</td><td></td></tr> <tr><td colspan="2"></td><td></td><td></td><td>16</td><td></td><td></td><td></td><td>12</td><td></td><td>10</td><td></td><td></td><td></td><td></td><td>3</td><td></td><td></td></tr> </table>				69					63					58	56	55	54	53	52	51		49					44	43	42	41			36	35	34	33	73			32					28		26					19	18						16				12		10					3																																
			69					63					58	56	55	54	53																																																																																											
52	51		49					44	43	42	41			36	35	34	33																																																																																											
73			32					28		26					19	18																																																																																												
				16				12		10					3																																																																																													
AVAILABLE	NOT APPLICABLE	34566-1933	0	A	BLACK	<table border="1"> <tr><td></td><td>70</td><td></td><td></td><td>67</td><td>66</td><td>65</td><td></td><td></td><td></td><td></td><td></td><td></td><td>58</td><td>57</td><td></td><td>55</td><td></td><td></td></tr> <tr><td></td><td></td><td>49</td><td></td><td>47</td><td></td><td></td><td>44</td><td>43</td><td>42</td><td>41</td><td>40</td><td>39</td><td></td><td>37</td><td></td><td>35</td><td></td><td></td></tr> <tr><td colspan="2">73</td><td></td><td>32</td><td></td><td>30</td><td></td><td></td><td>27</td><td></td><td>25</td><td>24</td><td></td><td></td><td>21</td><td>20</td><td>19</td><td>18</td><td>17</td></tr> <tr><td colspan="2"></td><td></td><td></td><td>16</td><td>15</td><td></td><td>13</td><td></td><td></td><td>10</td><td>9</td><td>8</td><td></td><td>6</td><td>5</td><td>3</td><td>2</td><td>1</td></tr> </table>		70			67	66	65							58	57		55					49		47			44	43	42	41	40	39		37		35			73			32		30			27		25	24			21	20	19	18	17					16	15		13			10	9	8		6	5	3	2	1																										
	70			67	66	65							58	57		55																																																																																												
		49		47			44	43	42	41	40	39		37		35																																																																																												
73			32		30			27		25	24			21	20	19	18	17																																																																																										
				16	15		13			10	9	8		6	5	3	2	1																																																																																										
AVAILABLE	NOT APPLICABLE	34566-1943	0	A	BLACK	<table border="1"> <tr><td></td><td>70</td><td></td><td></td><td>67</td><td>66</td><td>65</td><td></td><td></td><td></td><td></td><td></td><td></td><td>58</td><td>57</td><td></td><td>55</td><td></td><td></td></tr> <tr><td></td><td>51</td><td></td><td>49</td><td></td><td>47</td><td></td><td></td><td>44</td><td>43</td><td>42</td><td>41</td><td>40</td><td>39</td><td></td><td>37</td><td></td><td>35</td><td></td></tr> <tr><td colspan="2">73</td><td></td><td>32</td><td></td><td>30</td><td></td><td></td><td>27</td><td></td><td>25</td><td>24</td><td></td><td></td><td>21</td><td>20</td><td>19</td><td>18</td><td>17</td></tr> <tr><td colspan="2"></td><td></td><td></td><td>16</td><td>15</td><td></td><td>13</td><td></td><td></td><td>10</td><td>9</td><td>8</td><td></td><td>6</td><td>5</td><td>3</td><td>2</td><td>1</td></tr> </table>		70			67	66	65							58	57		55				51		49		47			44	43	42	41	40	39		37		35		73			32		30			27		25	24			21	20	19	18	17					16	15		13			10	9	8		6	5	3	2	1																										
	70			67	66	65							58	57		55																																																																																												
	51		49		47			44	43	42	41	40	39		37		35																																																																																											
73			32		30			27		25	24			21	20	19	18	17																																																																																										
				16	15		13			10	9	8		6	5	3	2	1																																																																																										
AVAILABLE	NOT APPLICABLE	34566-1953	0	C	BLUE	<table border="1"> <tr><td>72</td><td>70</td><td></td><td></td><td></td><td>66</td><td></td><td></td><td>63</td><td></td><td></td><td></td><td>59</td><td>57</td><td></td><td></td><td></td><td></td><td>53</td></tr> <tr><td>52</td><td>51</td><td></td><td></td><td>48</td><td>47</td><td>46</td><td></td><td>44</td><td>42</td><td>40</td><td>39</td><td></td><td></td><td></td><td></td><td></td><td></td><td>34</td></tr> <tr><td colspan="2">73</td><td></td><td></td><td></td><td>30</td><td></td><td></td><td></td><td>26</td><td>25</td><td></td><td></td><td>22</td><td>21</td><td>20</td><td></td><td></td><td></td></tr> <tr><td colspan="2"></td><td></td><td></td><td></td><td></td><td>15</td><td>14</td><td></td><td></td><td>10</td><td>9</td><td></td><td></td><td>6</td><td>5</td><td>4</td><td></td><td></td></tr> </table>	72	70				66			63				59	57					53	52	51			48	47	46		44	42	40	39							34	73					30				26	25			22	21	20										15	14			10	9			6	5	4																												
72	70				66			63				59	57					53																																																																																										
52	51			48	47	46		44	42	40	39							34																																																																																										
73					30				26	25			22	21	20																																																																																													
						15	14			10	9			6	5	4																																																																																												
AVAILABLE	NOT APPLICABLE	34566-1963	0	C	BLUE	<table border="1"> <tr><td>72</td><td>70</td><td></td><td></td><td></td><td>66</td><td></td><td></td><td>63</td><td></td><td></td><td></td><td>59</td><td>57</td><td></td><td></td><td></td><td></td><td>53</td></tr> <tr><td>52</td><td>51</td><td></td><td></td><td></td><td>46</td><td></td><td>44</td><td>42</td><td>40</td><td>39</td><td></td><td></td><td></td><td></td><td></td><td></td><td></td><td>34</td></tr> <tr><td colspan="2">73</td><td></td><td></td><td></td><td>30</td><td></td><td></td><td>26</td><td>25</td><td></td><td></td><td>22</td><td>21</td><td>20</td><td></td><td></td><td></td><td></td></tr> <tr><td colspan="2"></td><td></td><td></td><td></td><td></td><td>15</td><td>14</td><td></td><td></td><td>10</td><td>9</td><td></td><td></td><td>6</td><td>5</td><td>4</td><td></td><td></td></tr> </table>	72	70				66			63				59	57					53	52	51				46		44	42	40	39								34	73					30			26	25			22	21	20											15	14			10	9			6	5	4																												
72	70				66			63				59	57					53																																																																																										
52	51				46		44	42	40	39								34																																																																																										
73					30			26	25			22	21	20																																																																																														
						15	14			10	9			6	5	4																																																																																												

QUALITY SYMBOLS = 0 = 0 = 0 = 0 = 0 = 0 = 0 = 0 = 0	THIS DRAWING CONTAINS INFORMATION THAT IS PROPRIETARY TO MOLEX ELECTRONIC TECHNOLOGIES, LLC AND SHOULD NOT BE USED WITHOUT WRITTEN PERMISSION									
	2017/03/27	GENERAL TOLERANCES (UNLESS SPECIFIED)		DIMENSION UNITS	SCALE					
	EC NO: 115012 DRWN: TYE CHKD: REV APPR: JDENG02	ANGULAR TOL ± °		MM	1:1					
		4 PLACES ±	DRWN BY	DATE						
		3 PLACES ±	SKRAJENDRANA	2011/02/14						
		2 PLACES ±	CHKD BY	DATE						
		1 PLACE ±	MVANSLAMBROU	2011/02/14						
	0 PLACES ±	APPR BY	DATE							
	DRAFT WHERE APPLICABLE MUST REMAIN WITHIN DIMENSIONS	DRAWING SIZE	THIRD ANGLE PROJECTION	SERIES: 34566 MATERIAL NUMBER: SEE BOM TABLE CUSTOMER: GENERAL MARKET						
		D		DOCUMENT NUMBER: SD-34566-001 DOC TYPE: PSD DOC PART: 000 SHEET NUMBER: 24 OF 92						


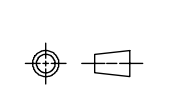
STATUS	GM PART #	MATERIAL #	WIRE DRESS OPTION	KEY OPTION	COLOR (TPA)	NUMBERS INDICATE CAVITIES OPEN FOR CIRCUITS																																																																																				
AVAILABLE	NOT APPLICABLE	34566-2093	0	A	BLACK	<table border="1"> <tr><td></td><td></td><td></td><td></td><td>68</td><td></td><td></td><td>65</td><td></td><td>63</td><td></td><td>61</td><td></td><td>59</td><td>58</td><td></td><td>56</td><td></td><td></td><td></td></tr> <tr><td>52</td><td></td><td>50</td><td></td><td>47</td><td></td><td></td><td></td><td></td><td></td><td>41</td><td></td><td></td><td>38</td><td>37</td><td>36</td><td></td><td>34</td><td>33</td><td></td></tr> <tr><td></td><td>73</td><td></td><td>32</td><td>31</td><td>30</td><td>29</td><td>28</td><td>27</td><td></td><td>25</td><td>24</td><td>23</td><td></td><td></td><td>20</td><td>19</td><td>18</td><td>17</td><td></td></tr> <tr><td></td><td></td><td></td><td>16</td><td></td><td></td><td>13</td><td>12</td><td>11</td><td>10</td><td>9</td><td></td><td></td><td></td><td></td><td></td><td></td><td></td><td></td><td>1</td></tr> </table>					68			65		63		61		59	58		56				52		50		47						41			38	37	36		34	33			73		32	31	30	29	28	27		25	24	23			20	19	18	17					16			13	12	11	10	9									1				
				68			65		63		61		59	58		56																																																																										
52		50		47						41			38	37	36		34	33																																																																								
	73		32	31	30	29	28	27		25	24	23			20	19	18	17																																																																								
			16			13	12	11	10	9									1																																																																							
AVAILABLE	NOT APPLICABLE	34566-2113	0	H	ST GRY	<table border="1"> <tr><td></td><td>79</td><td>78</td><td>77</td><td>76</td><td>75</td><td>74</td><td>73</td><td>72</td><td>71</td><td>70</td><td>69</td><td>68</td><td></td><td>66</td><td>65</td><td>64</td><td>63</td><td></td><td>61</td></tr> <tr><td>60</td><td>59</td><td>58</td><td>57</td><td>56</td><td>55</td><td></td><td>53</td><td>52</td><td></td><td>50</td><td></td><td></td><td></td><td></td><td></td><td>44</td><td>43</td><td>42</td><td>41</td></tr> <tr><td>40</td><td>39</td><td>38</td><td>37</td><td></td><td>35</td><td>34</td><td>33</td><td>32</td><td></td><td>30</td><td>29</td><td></td><td>27</td><td>26</td><td></td><td></td><td></td><td>22</td><td>21</td></tr> <tr><td>20</td><td>19</td><td>18</td><td>17</td><td>16</td><td></td><td>14</td><td>13</td><td>12</td><td>11</td><td>10</td><td>9</td><td>8</td><td></td><td>6</td><td>5</td><td></td><td>3</td><td>2</td><td></td></tr> </table>		79	78	77	76	75	74	73	72	71	70	69	68		66	65	64	63		61	60	59	58	57	56	55		53	52		50						44	43	42	41	40	39	38	37		35	34	33	32		30	29		27	26				22	21	20	19	18	17	16		14	13	12	11	10	9	8		6	5		3	2					
	79	78	77	76	75	74	73	72	71	70	69	68		66	65	64	63		61																																																																							
60	59	58	57	56	55		53	52		50						44	43	42	41																																																																							
40	39	38	37		35	34	33	32		30	29		27	26				22	21																																																																							
20	19	18	17	16		14	13	12	11	10	9	8		6	5		3	2																																																																								
AVAILABLE	NOT APPLICABLE	34566-2123	0	H	ST GRY	<table border="1"> <tr><td></td><td>79</td><td>78</td><td>77</td><td>76</td><td>75</td><td>74</td><td>73</td><td>72</td><td>71</td><td>70</td><td>69</td><td>68</td><td></td><td>66</td><td>65</td><td>64</td><td>63</td><td></td><td>61</td></tr> <tr><td>60</td><td>59</td><td>58</td><td>57</td><td>56</td><td>55</td><td></td><td>53</td><td>52</td><td></td><td>50</td><td></td><td></td><td></td><td></td><td></td><td>44</td><td>43</td><td>42</td><td>41</td></tr> <tr><td>40</td><td>39</td><td>38</td><td>37</td><td></td><td>35</td><td>34</td><td>33</td><td>32</td><td></td><td>30</td><td>29</td><td></td><td>27</td><td>26</td><td></td><td></td><td></td><td>22</td><td>21</td></tr> <tr><td>20</td><td>19</td><td>18</td><td>17</td><td>16</td><td></td><td></td><td>13</td><td>12</td><td></td><td></td><td></td><td>8</td><td></td><td>6</td><td>5</td><td></td><td>3</td><td>2</td><td></td></tr> </table>		79	78	77	76	75	74	73	72	71	70	69	68		66	65	64	63		61	60	59	58	57	56	55		53	52		50						44	43	42	41	40	39	38	37		35	34	33	32		30	29		27	26				22	21	20	19	18	17	16			13	12				8		6	5		3	2					
	79	78	77	76	75	74	73	72	71	70	69	68		66	65	64	63		61																																																																							
60	59	58	57	56	55		53	52		50						44	43	42	41																																																																							
40	39	38	37		35	34	33	32		30	29		27	26				22	21																																																																							
20	19	18	17	16			13	12				8		6	5		3	2																																																																								
AVAILABLE	NOT APPLICABLE	34566-2133	0	B	ST GRY	<table border="1"> <tr><td></td><td>71</td><td>70</td><td></td><td></td><td></td><td></td><td>65</td><td>64</td><td></td><td></td><td></td><td></td><td>60</td><td>59</td><td>58</td><td>57</td><td></td><td>55</td><td>54</td><td>53</td></tr> <tr><td></td><td>51</td><td>50</td><td>49</td><td>48</td><td></td><td>46</td><td>45</td><td></td><td>43</td><td></td><td>41</td><td>40</td><td>39</td><td></td><td>37</td><td>36</td><td>35</td><td></td><td></td><td>33</td></tr> <tr><td></td><td></td><td>73</td><td></td><td>32</td><td>31</td><td>30</td><td></td><td></td><td></td><td></td><td></td><td>24</td><td>23</td><td>22</td><td></td><td>20</td><td></td><td></td><td></td><td></td></tr> <tr><td></td><td></td><td></td><td></td><td>16</td><td>15</td><td></td><td>13</td><td>12</td><td>11</td><td>10</td><td>9</td><td>8</td><td>7</td><td>6</td><td>5</td><td>4</td><td>3</td><td>2</td><td></td><td></td></tr> </table>		71	70					65	64					60	59	58	57		55	54	53		51	50	49	48		46	45		43		41	40	39		37	36	35			33			73		32	31	30						24	23	22		20									16	15		13	12	11	10	9	8	7	6	5	4	3	2		
	71	70					65	64					60	59	58	57		55	54	53																																																																						
	51	50	49	48		46	45		43		41	40	39		37	36	35			33																																																																						
		73		32	31	30						24	23	22		20																																																																										
				16	15		13	12	11	10	9	8	7	6	5	4	3	2																																																																								
AVAILABLE	NOT APPLICABLE	34566-2143	0	B	ST GRY	<table border="1"> <tr><td></td><td>71</td><td>70</td><td></td><td></td><td></td><td></td><td>65</td><td></td><td></td><td></td><td></td><td></td><td>60</td><td>59</td><td>58</td><td>57</td><td></td><td></td><td>54</td><td>53</td></tr> <tr><td></td><td>51</td><td>50</td><td>49</td><td>48</td><td></td><td>46</td><td>45</td><td></td><td>43</td><td></td><td>41</td><td>40</td><td>39</td><td></td><td>37</td><td>36</td><td>35</td><td></td><td></td><td>33</td></tr> <tr><td></td><td></td><td>73</td><td></td><td>32</td><td>31</td><td>30</td><td></td><td></td><td></td><td></td><td></td><td>24</td><td>23</td><td>22</td><td></td><td>20</td><td></td><td></td><td></td><td></td></tr> <tr><td></td><td></td><td></td><td></td><td>16</td><td>15</td><td></td><td>13</td><td>12</td><td>11</td><td>10</td><td>9</td><td>8</td><td>7</td><td>6</td><td>5</td><td>4</td><td></td><td></td><td></td><td></td></tr> </table>		71	70					65						60	59	58	57			54	53		51	50	49	48		46	45		43		41	40	39		37	36	35			33			73		32	31	30						24	23	22		20									16	15		13	12	11	10	9	8	7	6	5	4				
	71	70					65						60	59	58	57			54	53																																																																						
	51	50	49	48		46	45		43		41	40	39		37	36	35			33																																																																						
		73		32	31	30						24	23	22		20																																																																										
				16	15		13	12	11	10	9	8	7	6	5	4																																																																										
AVAILABLE	NOT APPLICABLE	34566-2153	0	A	BLACK	<table border="1"> <tr><td></td><td></td><td>70</td><td></td><td>68</td><td>67</td><td>66</td><td>65</td><td></td><td></td><td></td><td></td><td></td><td></td><td>58</td><td>57</td><td></td><td>55</td><td></td><td></td><td></td></tr> <tr><td></td><td></td><td></td><td>49</td><td>47</td><td>47</td><td></td><td></td><td>44</td><td>43</td><td>42</td><td>41</td><td></td><td>39</td><td></td><td>37</td><td></td><td></td><td></td><td></td><td></td></tr> <tr><td></td><td></td><td></td><td></td><td>32</td><td></td><td></td><td>30</td><td></td><td></td><td>27</td><td></td><td>25</td><td>24</td><td>23</td><td></td><td>21</td><td>20</td><td>19</td><td>18</td><td></td></tr> <tr><td></td><td></td><td></td><td></td><td></td><td></td><td></td><td>13</td><td></td><td></td><td></td><td></td><td></td><td>8</td><td></td><td>6</td><td>5</td><td>3</td><td></td><td></td><td>1</td></tr> </table>			70		68	67	66	65							58	57		55							49	47	47			44	43	42	41		39		37										32			30			27		25	24	23		21	20	19	18									13						8		6	5	3			1
		70		68	67	66	65							58	57		55																																																																									
			49	47	47			44	43	42	41		39		37																																																																											
				32			30			27		25	24	23		21	20	19	18																																																																							
							13						8		6	5	3			1																																																																						
AVAILABLE	NOT APPLICABLE	34566-2163	0	A	BLACK	<table border="1"> <tr><td></td><td></td><td>70</td><td></td><td>67</td><td>66</td><td></td><td></td><td></td><td></td><td>61</td><td></td><td></td><td></td><td>58</td><td></td><td></td><td>55</td><td>54</td><td></td><td></td></tr> <tr><td></td><td></td><td></td><td>49</td><td>47</td><td>47</td><td></td><td>45</td><td>44</td><td>43</td><td>42</td><td>41</td><td></td><td>39</td><td></td><td>37</td><td></td><td></td><td></td><td>34</td><td></td></tr> <tr><td></td><td></td><td></td><td></td><td>32</td><td></td><td></td><td></td><td></td><td>27</td><td></td><td></td><td>24</td><td></td><td></td><td>21</td><td>20</td><td>19</td><td>18</td><td>17</td><td></td></tr> <tr><td></td><td></td><td></td><td></td><td></td><td></td><td></td><td>15</td><td>13</td><td></td><td>11</td><td></td><td>9</td><td></td><td></td><td>6</td><td>5</td><td>3</td><td></td><td></td><td>1</td></tr> </table>			70		67	66					61				58			55	54						49	47	47		45	44	43	42	41		39		37				34						32					27			24			21	20	19	18	17									15	13		11		9			6	5	3			1
		70		67	66					61				58			55	54																																																																								
			49	47	47		45	44	43	42	41		39		37				34																																																																							
				32					27			24			21	20	19	18	17																																																																							
							15	13		11		9			6	5	3			1																																																																						
AVAILABLE	NOT APPLICABLE	34566-2173	0	A	BLACK	<table border="1"> <tr><td></td><td></td><td>70</td><td></td><td>67</td><td>66</td><td>65</td><td></td><td></td><td></td><td>61</td><td></td><td></td><td></td><td>58</td><td></td><td></td><td>55</td><td>54</td><td></td><td></td></tr> <tr><td></td><td></td><td></td><td>49</td><td>47</td><td>47</td><td></td><td>45</td><td>44</td><td>43</td><td>42</td><td>41</td><td></td><td>39</td><td></td><td>37</td><td></td><td></td><td></td><td>34</td><td></td></tr> <tr><td></td><td></td><td></td><td></td><td>32</td><td></td><td></td><td>30</td><td></td><td></td><td>27</td><td></td><td>25</td><td>24</td><td></td><td>21</td><td>20</td><td>19</td><td>18</td><td>17</td><td></td></tr> <tr><td></td><td></td><td></td><td></td><td></td><td></td><td></td><td>15</td><td>13</td><td></td><td>11</td><td></td><td>9</td><td>8</td><td></td><td>6</td><td>5</td><td>3</td><td></td><td></td><td>1</td></tr> </table>			70		67	66	65				61				58			55	54						49	47	47		45	44	43	42	41		39		37				34						32			30			27		25	24		21	20	19	18	17									15	13		11		9	8		6	5	3			1
		70		67	66	65				61				58			55	54																																																																								
			49	47	47		45	44	43	42	41		39		37				34																																																																							
				32			30			27		25	24		21	20	19	18	17																																																																							
							15	13		11		9	8		6	5	3			1																																																																						
AVAILABLE	NOT APPLICABLE	34566-2183	0	A	BLACK	<table border="1"> <tr><td></td><td></td><td>70</td><td></td><td>67</td><td>66</td><td>65</td><td></td><td></td><td></td><td></td><td></td><td></td><td></td><td>58</td><td>57</td><td></td><td>55</td><td></td><td></td><td></td></tr> <tr><td></td><td></td><td></td><td>49</td><td>47</td><td>47</td><td></td><td>44</td><td>43</td><td>42</td><td>41</td><td></td><td>39</td><td></td><td>37</td><td></td><td></td><td></td><td></td><td></td><td></td></tr> <tr><td></td><td></td><td></td><td></td><td>32</td><td></td><td></td><td></td><td></td><td>27</td><td></td><td></td><td>24</td><td></td><td></td><td>21</td><td>20</td><td>19</td><td>18</td><td>17</td><td></td></tr> <tr><td></td><td></td><td></td><td></td><td></td><td></td><td></td><td>15</td><td>13</td><td></td><td></td><td>9</td><td></td><td></td><td>6</td><td>5</td><td>3</td><td></td><td></td><td></td><td>1</td></tr> </table>			70		67	66	65								58	57		55							49	47	47		44	43	42	41		39		37											32					27			24			21	20	19	18	17									15	13			9			6	5	3				1
		70		67	66	65								58	57		55																																																																									
			49	47	47		44	43	42	41		39		37																																																																												
				32					27			24			21	20	19	18	17																																																																							
							15	13			9			6	5	3				1																																																																						

QUALITY SYMBOLS = 0 = 0 = 0 = 0 = 0 = 0 = 0 = 0 = 0	THIS DRAWING CONTAINS INFORMATION THAT IS PROPRIETARY TO MOLEX ELECTRONIC TECHNOLOGIES, LLC AND SHOULD NOT BE USED WITHOUT WRITTEN PERMISSION									
	2017/03/27	2017/03/30	GENERAL TOLERANCES (UNLESS SPECIFIED)		DIMENSION UNITS	SCALE				
	EC NO: 115012 DRWN: TYE CHKD: REV APPR: JDENG02	G49	ANGULAR TOL ± °		MM	1:1				
			4 PLACES ±	SKRAJENDRANA	2011/02/14					
			3 PLACES ±	CHKD BY	DATE					
			2 PLACES ±	MVANSLAMBROU	2011/02/14					
			1 PLACE ±	APPR BY	DATE					
	0 PLACES ±	DRAFT WHERE APPLICABLE MUST REMAIN WITHIN DIMENSIONS		DRAWING SIZE	THIRD ANGLE PROJECTION					
	SERIES		MATERIAL NUMBER		CUSTOMER					
	34566		SEE BOM TABLE		GENERAL MARKET					
DOCUMENT NUMBER		DOC TYPE		DOC PART		SHEET NUMBER				
SD-34566-001		PSD		000		26 OF 92				

STATUS	GM PART #	MATERIAL #	WIRE DRESS OPTION	KEY OPTION 	COLOR (TPA) 	NUMBERS INDICATE CAVITIES OPEN FOR CIRCUITS 																																																															
AVAILABLE	NOT APPLICABLE	34566-2293	0	C	BLUE	<table border="1"> <tr><td>72</td><td>70</td><td>68</td><td>66</td><td>63</td><td>59</td><td>57</td><td>53</td></tr> <tr><td>52</td><td>51</td><td>48</td><td>47</td><td>46</td><td>44</td><td>42</td><td>40</td><td>39</td><td>34</td><td>33</td></tr> <tr><td colspan="2">73</td><td></td><td>30</td><td>26</td><td>25</td><td>22</td><td>21</td><td></td><td></td><td></td></tr> <tr><td></td><td></td><td>15</td><td>14</td><td>10</td><td>9</td><td>6</td><td></td><td></td><td></td><td></td></tr> </table>	72	70	68	66	63	59	57	53	52	51	48	47	46	44	42	40	39	34	33	73			30	26	25	22	21						15	14	10	9	6																										
72	70	68	66	63	59	57	53																																																														
52	51	48	47	46	44	42	40	39	34	33																																																											
73			30	26	25	22	21																																																														
		15	14	10	9	6																																																															
AVAILABLE	NOT APPLICABLE	34566-2313	0	C	BLUE	<table border="1"> <tr><td>72</td><td>70</td><td>66</td><td>63</td><td>59</td><td>57</td><td>53</td></tr> <tr><td>52</td><td>51</td><td>46</td><td>44</td><td>42</td><td>40</td><td>39</td><td>34</td><td>33</td></tr> <tr><td colspan="2">73</td><td></td><td>30</td><td>26</td><td>25</td><td>22</td><td>21</td><td></td><td></td></tr> <tr><td></td><td></td><td>15</td><td>14</td><td>10</td><td>9</td><td>6</td><td></td><td></td><td></td></tr> </table>	72	70	66	63	59	57	53	52	51	46	44	42	40	39	34	33	73			30	26	25	22	21					15	14	10	9	6																														
72	70	66	63	59	57	53																																																															
52	51	46	44	42	40	39	34	33																																																													
73			30	26	25	22	21																																																														
		15	14	10	9	6																																																															
AVAILABLE	NOT APPLICABLE	34566-2323	0	C	BLUE	<table border="1"> <tr><td>72</td><td>70</td><td>68</td><td>66</td><td>63</td><td>59</td><td>57</td><td>53</td></tr> <tr><td>52</td><td>51</td><td>48</td><td>47</td><td>46</td><td>44</td><td>42</td><td>40</td><td>39</td><td>34</td><td>33</td></tr> <tr><td colspan="2">73</td><td></td><td>30</td><td>26</td><td>25</td><td>22</td><td>21</td><td>20</td><td></td><td></td></tr> <tr><td></td><td></td><td>15</td><td>14</td><td>10</td><td>9</td><td>6</td><td>5</td><td>4</td><td></td><td></td></tr> </table>	72	70	68	66	63	59	57	53	52	51	48	47	46	44	42	40	39	34	33	73			30	26	25	22	21	20					15	14	10	9	6	5	4																								
72	70	68	66	63	59	57	53																																																														
52	51	48	47	46	44	42	40	39	34	33																																																											
73			30	26	25	22	21	20																																																													
		15	14	10	9	6	5	4																																																													
AVAILABLE	NOT APPLICABLE	34566-2333	0	A	BLACK	<table border="1"> <tr><td>71</td><td>69</td><td>68</td><td>65</td><td>64</td><td>63</td><td>61</td><td>59</td><td>57</td><td>56</td><td>53</td></tr> <tr><td>52</td><td>50</td><td>49</td><td>47</td><td></td><td></td><td>41</td><td>39</td><td>38</td><td>37</td><td>36</td><td>34</td><td>33</td></tr> <tr><td colspan="2">73</td><td>32</td><td>31</td><td>30</td><td>29</td><td>28</td><td>27</td><td>24</td><td>23</td><td>22</td><td>20</td><td>19</td><td>18</td><td>1</td></tr> <tr><td></td><td></td><td>16</td><td></td><td>13</td><td>12</td><td>11</td><td>10</td><td>9</td><td></td><td></td><td></td><td></td><td></td><td></td></tr> </table>	71	69	68	65	64	63	61	59	57	56	53	52	50	49	47			41	39	38	37	36	34	33	73		32	31	30	29	28	27	24	23	22	20	19	18	1			16		13	12	11	10	9															
71	69	68	65	64	63	61	59	57	56	53																																																											
52	50	49	47			41	39	38	37	36	34	33																																																									
73		32	31	30	29	28	27	24	23	22	20	19	18	1																																																							
		16		13	12	11	10	9																																																													
AVAILABLE	NOT APPLICABLE	34566-2343	0	A	BLACK	<table border="1"> <tr><td>72</td><td>70</td><td>68</td><td>67</td><td>66</td><td>65</td><td>58</td><td>57</td><td>55</td><td></td><td></td></tr> <tr><td></td><td></td><td>49</td><td>47</td><td></td><td>44</td><td>43</td><td>42</td><td>41</td><td>39</td><td>37</td><td>35</td><td></td><td></td></tr> <tr><td colspan="2">73</td><td>32</td><td>30</td><td></td><td>27</td><td>25</td><td>24</td><td></td><td>21</td><td>20</td><td>19</td><td>18</td><td>17</td></tr> <tr><td></td><td></td><td>15</td><td>14</td><td>13</td><td></td><td>9</td><td>8</td><td></td><td>6</td><td>5</td><td>3</td><td></td><td>1</td></tr> </table>	72	70	68	67	66	65	58	57	55					49	47		44	43	42	41	39	37	35			73		32	30		27	25	24		21	20	19	18	17			15	14	13		9	8		6	5	3		1										
72	70	68	67	66	65	58	57	55																																																													
		49	47		44	43	42	41	39	37	35																																																										
73		32	30		27	25	24		21	20	19	18	17																																																								
		15	14	13		9	8		6	5	3		1																																																								
AVAILABLE	NOT APPLICABLE	34566-2353	0	A	BLACK	<table border="1"> <tr><td>72</td><td>70</td><td>67</td><td>66</td><td>65</td><td>58</td><td>57</td><td>55</td><td></td><td></td></tr> <tr><td></td><td></td><td>49</td><td>47</td><td></td><td>44</td><td>43</td><td>42</td><td>41</td><td>39</td><td>37</td><td>35</td><td></td><td></td></tr> <tr><td colspan="2">73</td><td>32</td><td>30</td><td></td><td>27</td><td>25</td><td>24</td><td></td><td>21</td><td>20</td><td>19</td><td>18</td><td>17</td></tr> <tr><td></td><td></td><td>15</td><td>14</td><td>13</td><td></td><td>9</td><td>8</td><td></td><td>6</td><td>5</td><td>3</td><td></td><td>1</td></tr> </table>	72	70	67	66	65	58	57	55					49	47		44	43	42	41	39	37	35			73		32	30		27	25	24		21	20	19	18	17			15	14	13		9	8		6	5	3		1											
72	70	67	66	65	58	57	55																																																														
		49	47		44	43	42	41	39	37	35																																																										
73		32	30		27	25	24		21	20	19	18	17																																																								
		15	14	13		9	8		6	5	3		1																																																								
AVAILABLE	NOT APPLICABLE	34566-2363	0	C	BLUE	<table border="1"> <tr><td>72</td><td>70</td><td>67</td><td>66</td><td>63</td><td>62</td><td>59</td><td>57</td><td>53</td></tr> <tr><td>52</td><td>51</td><td></td><td>46</td><td>44</td><td>42</td><td>40</td><td>39</td><td>38</td><td></td><td></td><td>34</td><td>33</td></tr> <tr><td colspan="2">73</td><td>32</td><td>30</td><td></td><td>27</td><td>26</td><td>25</td><td>22</td><td>21</td><td>20</td><td></td><td></td></tr> <tr><td></td><td></td><td>15</td><td>14</td><td></td><td>10</td><td>9</td><td></td><td>6</td><td>5</td><td>4</td><td></td><td></td></tr> </table>	72	70	67	66	63	62	59	57	53	52	51		46	44	42	40	39	38			34	33	73		32	30		27	26	25	22	21	20					15	14		10	9		6	5	4																	
72	70	67	66	63	62	59	57	53																																																													
52	51		46	44	42	40	39	38			34	33																																																									
73		32	30		27	26	25	22	21	20																																																											
		15	14		10	9		6	5	4																																																											
AVAILABLE	NOT APPLICABLE	34566-2373	0	B	ST GRY	<table border="1"> <tr><td>68</td><td>67</td><td>66</td><td>65</td><td>64</td><td>61</td><td>60</td><td>59</td><td>58</td><td>57</td><td>55</td><td>54</td><td>53</td></tr> <tr><td>51</td><td>50</td><td>49</td><td>48</td><td>47</td><td>46</td><td>45</td><td>43</td><td>42</td><td>41</td><td>40</td><td>39</td><td>38</td><td>37</td><td>35</td><td>34</td><td>33</td></tr> <tr><td colspan="2">73</td><td>32</td><td>31</td><td>30</td><td></td><td>26</td><td>24</td><td>23</td><td>22</td><td>21</td><td>20</td><td></td><td></td><td></td><td></td></tr> <tr><td></td><td></td><td>16</td><td>15</td><td>14</td><td>13</td><td></td><td>10</td><td>9</td><td>8</td><td>7</td><td>6</td><td>5</td><td>4</td><td>3</td><td>2</td><td></td></tr> </table>	68	67	66	65	64	61	60	59	58	57	55	54	53	51	50	49	48	47	46	45	43	42	41	40	39	38	37	35	34	33	73		32	31	30		26	24	23	22	21	20							16	15	14	13		10	9	8	7	6	5	4	3	2	
68	67	66	65	64	61	60	59	58	57	55	54	53																																																									
51	50	49	48	47	46	45	43	42	41	40	39	38	37	35	34	33																																																					
73		32	31	30		26	24	23	22	21	20																																																										
		16	15	14	13		10	9	8	7	6	5	4	3	2																																																						
AVAILABLE	NOT APPLICABLE	34566-2383	0	B	ST GRY	<table border="1"> <tr><td>65</td><td>59</td><td>57</td><td>55</td><td>53</td></tr> <tr><td>50</td><td>49</td><td>48</td><td>46</td><td></td><td>39</td><td>37</td><td>35</td><td>33</td></tr> <tr><td colspan="2">73</td><td></td><td>29</td><td></td><td>24</td><td>23</td><td>21</td><td></td><td></td><td></td><td></td><td></td></tr> <tr><td></td><td></td><td>15</td><td></td><td></td><td>7</td><td>6</td><td>5</td><td>4</td><td>3</td><td></td><td></td><td></td></tr> </table>	65	59	57	55	53	50	49	48	46		39	37	35	33	73			29		24	23	21								15			7	6	5	4	3																										
65	59	57	55	53																																																																	
50	49	48	46		39	37	35	33																																																													
73			29		24	23	21																																																														
		15			7	6	5	4	3																																																												

QUALITY SYMBOLS = 0 = 0 = 0 = 0 = 0 = 0 = 0 = 0 = 0	THIS DRAWING CONTAINS INFORMATION THAT IS PROPRIETARY TO MOLEX ELECTRONIC TECHNOLOGIES, LLC AND SHOULD NOT BE USED WITHOUT WRITTEN PERMISSION										
	2017/03/27	GENERAL TOLERANCES (UNLESS SPECIFIED)		DIMENSION UNITS	SCALE						
	2017/03/30	ANGULAR TOL ± °		MM	1:1						
	EC NO: 115012 DRWN: TYE CHKD: REV APPR: JDENG02	4 PLACES ±	SKRAJENDRANA		DATE						2011/02/14
		3 PLACES ±	CHKD BY		DATE						
		2 PLACES ±	MVANSLAMBROU		DATE						2011/02/14
		1 PLACE ±	APPR BY		DATE						
		0 PLACES ±	DRAFT WHERE APPLICABLE MUST REMAIN WITHIN DIMENSIONS		DRAWING SIZE						THIRD ANGLE PROJECTION
	G49	D									
	SERIES		MATERIAL NUMBER		CUSTOMER						
34566		SEE BOM TABLE		GENERAL MARKET							
DOCUMENT NUMBER		DOC TYPE		DOC PART		SHEET NUMBER					
SD-34566-001		PSD		000		28 OF 92					

STATUS	GM PART #	MATERIAL #	WIRE DRESS OPTION	KEY OPTION ▽	COLOR (TPA) ▽	NUMBERS INDICATE CAVITIES OPEN FOR CIRCUITS ▽																																																																																				
AVAILABLE	NOT APPLICABLE	34566-2483	0	A	BLACK	<table border="1"> <tr><td></td><td></td><td></td><td>69</td><td></td><td></td><td></td><td></td><td></td><td></td><td>63</td><td>62</td><td>61</td><td></td><td></td><td>58</td><td>57</td><td>56</td><td>55</td><td>54</td><td>53</td></tr> <tr><td>52</td><td>51</td><td></td><td>49</td><td></td><td></td><td></td><td></td><td></td><td>44</td><td>43</td><td>42</td><td>41</td><td></td><td></td><td></td><td>37</td><td>36</td><td>35</td><td>34</td><td>33</td></tr> <tr><td colspan="3">73</td><td>32</td><td></td><td></td><td>29</td><td>28</td><td>27</td><td>26</td><td></td><td></td><td></td><td>23</td><td></td><td></td><td></td><td></td><td>19</td><td>18</td><td></td></tr> <tr><td colspan="3">73</td><td>16</td><td></td><td></td><td>13</td><td>12</td><td>11</td><td>10</td><td></td><td></td><td>8</td><td></td><td></td><td></td><td></td><td></td><td>3</td><td></td><td></td></tr> </table>				69							63	62	61			58	57	56	55	54	53	52	51		49						44	43	42	41				37	36	35	34	33	73			32			29	28	27	26				23					19	18		73			16			13	12	11	10			8						3		
			69							63	62	61			58	57	56	55	54	53																																																																						
52	51		49						44	43	42	41				37	36	35	34	33																																																																						
73			32			29	28	27	26				23					19	18																																																																							
73			16			13	12	11	10			8						3																																																																								
AVAILABLE	NOT APPLICABLE	34566-2493 SAME AS P/N 34566-3863	0	B	ST GRY	<table border="1"> <tr><td>72</td><td>71</td><td>70</td><td></td><td>68</td><td>67</td><td>66</td><td></td><td></td><td></td><td>62</td><td>61</td><td>60</td><td>59</td><td>58</td><td>57</td><td>56</td><td>55</td><td>54</td><td>53</td></tr> <tr><td>52</td><td>51</td><td>50</td><td></td><td>48</td><td>47</td><td>46</td><td></td><td></td><td></td><td>42</td><td>41</td><td>40</td><td>39</td><td>38</td><td>37</td><td>36</td><td>35</td><td>34</td><td>33</td></tr> <tr><td colspan="3">73</td><td>32</td><td>31</td><td>30</td><td>29</td><td>28</td><td>27</td><td>26</td><td>25</td><td>24</td><td></td><td></td><td></td><td></td><td></td><td></td><td></td><td>17</td></tr> <tr><td colspan="3">73</td><td>16</td><td>15</td><td>14</td><td>13</td><td></td><td></td><td>10</td><td>8</td><td></td><td></td><td></td><td></td><td></td><td></td><td></td><td>2</td><td>1</td></tr> </table>	72	71	70		68	67	66				62	61	60	59	58	57	56	55	54	53	52	51	50		48	47	46				42	41	40	39	38	37	36	35	34	33	73			32	31	30	29	28	27	26	25	24								17	73			16	15	14	13			10	8								2	1				
72	71	70		68	67	66				62	61	60	59	58	57	56	55	54	53																																																																							
52	51	50		48	47	46				42	41	40	39	38	37	36	35	34	33																																																																							
73			32	31	30	29	28	27	26	25	24								17																																																																							
73			16	15	14	13			10	8								2	1																																																																							
AVAILABLE	NOT APPLICABLE	34566-2513	0	C	BLUE	<table border="1"> <tr><td>72</td><td></td><td>70</td><td></td><td>68</td><td>67</td><td>66</td><td></td><td></td><td>63</td><td>62</td><td></td><td></td><td>59</td><td></td><td>57</td><td></td><td></td><td></td><td>53</td></tr> <tr><td>52</td><td>51</td><td></td><td></td><td>48</td><td>47</td><td>46</td><td></td><td>44</td><td></td><td>42</td><td></td><td>40</td><td>39</td><td></td><td></td><td></td><td></td><td></td><td>34</td><td>33</td></tr> <tr><td colspan="3">73</td><td>32</td><td></td><td>30</td><td></td><td></td><td>27</td><td>26</td><td>25</td><td></td><td></td><td></td><td></td><td>22</td><td>21</td><td>20</td><td></td><td></td><td></td></tr> <tr><td colspan="3">73</td><td></td><td>15</td><td>14</td><td></td><td></td><td></td><td>10</td><td>9</td><td></td><td></td><td></td><td></td><td>6</td><td>5</td><td>4</td><td></td><td></td><td></td></tr> </table>	72		70		68	67	66			63	62			59		57				53	52	51			48	47	46		44		42		40	39						34	33	73			32		30			27	26	25					22	21	20				73				15	14				10	9					6	5	4				
72		70		68	67	66			63	62			59		57				53																																																																							
52	51			48	47	46		44		42		40	39						34	33																																																																						
73			32		30			27	26	25					22	21	20																																																																									
73				15	14				10	9					6	5	4																																																																									
AVAILABLE	NOT APPLICABLE	34566-2523	0	A	BLACK	<table border="1"> <tr><td>72</td><td>71</td><td>70</td><td>69</td><td>68</td><td>67</td><td>66</td><td>65</td><td>64</td><td>63</td><td>62</td><td></td><td>60</td><td>59</td><td></td><td></td><td></td><td></td><td>55</td><td>54</td><td>53</td></tr> <tr><td>52</td><td></td><td></td><td>49</td><td>48</td><td></td><td></td><td>45</td><td>44</td><td>43</td><td>42</td><td>41</td><td>40</td><td>39</td><td></td><td></td><td></td><td></td><td>35</td><td>34</td><td>33</td></tr> <tr><td colspan="3">73</td><td>32</td><td></td><td></td><td>29</td><td>28</td><td>27</td><td></td><td>25</td><td>24</td><td>23</td><td></td><td></td><td></td><td></td><td></td><td>19</td><td>18</td><td>17</td></tr> <tr><td colspan="3">73</td><td>16</td><td></td><td></td><td>13</td><td>12</td><td>11</td><td></td><td>9</td><td>8</td><td>7</td><td>6</td><td>5</td><td>4</td><td>3</td><td>2</td><td>1</td><td></td><td></td></tr> </table>	72	71	70	69	68	67	66	65	64	63	62		60	59					55	54	53	52			49	48			45	44	43	42	41	40	39					35	34	33	73			32			29	28	27		25	24	23						19	18	17	73			16			13	12	11		9	8	7	6	5	4	3	2	1		
72	71	70	69	68	67	66	65	64	63	62		60	59					55	54	53																																																																						
52			49	48			45	44	43	42	41	40	39					35	34	33																																																																						
73			32			29	28	27		25	24	23						19	18	17																																																																						
73			16			13	12	11		9	8	7	6	5	4	3	2	1																																																																								
AVAILABLE	NOT APPLICABLE	34566-2533	0	B	ST GRY	<table border="1"> <tr><td></td><td></td><td></td><td></td><td></td><td>67</td><td>66</td><td>65</td><td></td><td>63</td><td></td><td></td><td></td><td>59</td><td>58</td><td>57</td><td>56</td><td>55</td><td></td><td>53</td></tr> <tr><td></td><td></td><td>50</td><td>49</td><td>48</td><td></td><td>46</td><td>45</td><td></td><td>43</td><td></td><td></td><td></td><td>39</td><td>38</td><td>37</td><td>36</td><td>35</td><td>34</td><td>33</td></tr> <tr><td colspan="3">73</td><td></td><td></td><td></td><td>29</td><td>27</td><td></td><td></td><td></td><td></td><td></td><td>23</td><td>22</td><td>21</td><td></td><td></td><td></td><td>18</td></tr> <tr><td colspan="3">73</td><td>16</td><td>15</td><td>14</td><td>13</td><td></td><td></td><td></td><td></td><td>8</td><td>7</td><td>6</td><td>5</td><td>4</td><td>3</td><td></td><td></td><td></td></tr> </table>						67	66	65		63				59	58	57	56	55		53			50	49	48		46	45		43				39	38	37	36	35	34	33	73						29	27						23	22	21				18	73			16	15	14	13					8	7	6	5	4	3							
					67	66	65		63				59	58	57	56	55		53																																																																							
		50	49	48		46	45		43				39	38	37	36	35	34	33																																																																							
73						29	27						23	22	21				18																																																																							
73			16	15	14	13					8	7	6	5	4	3																																																																										
AVAILABLE	NOT APPLICABLE	34566-2543	0	C	BLUE	<table border="1"> <tr><td>72</td><td></td><td>70</td><td></td><td></td><td></td><td>66</td><td></td><td></td><td>63</td><td></td><td></td><td></td><td>59</td><td></td><td>57</td><td></td><td></td><td></td><td>53</td></tr> <tr><td>52</td><td>51</td><td></td><td></td><td></td><td></td><td>46</td><td></td><td>44</td><td></td><td>42</td><td></td><td>40</td><td>39</td><td></td><td></td><td></td><td></td><td></td><td>34</td><td>33</td></tr> <tr><td colspan="3">73</td><td>32</td><td></td><td>30</td><td></td><td></td><td>27</td><td>26</td><td>25</td><td></td><td></td><td></td><td></td><td>22</td><td>21</td><td></td><td></td><td></td><td></td></tr> <tr><td colspan="3">73</td><td></td><td>15</td><td>14</td><td></td><td></td><td></td><td>10</td><td>9</td><td></td><td></td><td></td><td></td><td>6</td><td></td><td></td><td></td><td></td><td></td></tr> </table>	72		70				66			63				59		57				53	52	51					46		44		42		40	39						34	33	73			32		30			27	26	25					22	21					73				15	14				10	9					6						
72		70				66			63				59		57				53																																																																							
52	51					46		44		42		40	39						34	33																																																																						
73			32		30			27	26	25					22	21																																																																										
73				15	14				10	9					6																																																																											
AVAILABLE	NOT APPLICABLE	34566-2553	9	B	ST GRY	<table border="1"> <tr><td>72</td><td>71</td><td>70</td><td></td><td>68</td><td>67</td><td>66</td><td></td><td></td><td></td><td>62</td><td>61</td><td>60</td><td>59</td><td>58</td><td>57</td><td>56</td><td>55</td><td>54</td><td>53</td></tr> <tr><td>52</td><td>51</td><td>50</td><td></td><td>48</td><td>47</td><td>46</td><td></td><td></td><td></td><td>42</td><td>41</td><td>40</td><td>39</td><td>38</td><td>37</td><td>36</td><td>35</td><td>34</td><td>33</td></tr> <tr><td colspan="3">73</td><td>32</td><td>31</td><td>30</td><td>29</td><td>28</td><td>27</td><td>26</td><td>25</td><td>24</td><td>23</td><td></td><td></td><td></td><td></td><td></td><td></td><td></td><td></td></tr> <tr><td colspan="3">73</td><td>16</td><td>15</td><td>14</td><td>13</td><td></td><td></td><td>10</td><td>9</td><td>8</td><td></td><td></td><td></td><td></td><td></td><td></td><td></td><td></td><td></td></tr> </table>	72	71	70		68	67	66				62	61	60	59	58	57	56	55	54	53	52	51	50		48	47	46				42	41	40	39	38	37	36	35	34	33	73			32	31	30	29	28	27	26	25	24	23									73			16	15	14	13			10	9	8											
72	71	70		68	67	66				62	61	60	59	58	57	56	55	54	53																																																																							
52	51	50		48	47	46				42	41	40	39	38	37	36	35	34	33																																																																							
73			32	31	30	29	28	27	26	25	24	23																																																																														
73			16	15	14	13			10	9	8																																																																															
AVAILABLE	NOT APPLICABLE	34566-2563	9	A	BLACK	<table border="1"> <tr><td></td><td></td><td></td><td>69</td><td></td><td></td><td></td><td></td><td></td><td></td><td>63</td><td>62</td><td>61</td><td></td><td></td><td>58</td><td>57</td><td>56</td><td>55</td><td>54</td><td>53</td></tr> <tr><td>52</td><td>51</td><td>50</td><td>49</td><td></td><td></td><td></td><td></td><td></td><td>44</td><td>43</td><td>42</td><td>41</td><td></td><td></td><td></td><td>37</td><td>36</td><td>35</td><td>34</td><td>33</td></tr> <tr><td colspan="3">73</td><td>32</td><td></td><td></td><td>29</td><td>28</td><td>27</td><td>26</td><td></td><td></td><td></td><td></td><td></td><td></td><td></td><td></td><td>19</td><td>18</td><td></td></tr> <tr><td colspan="3">73</td><td>16</td><td></td><td></td><td>14</td><td>13</td><td>12</td><td>11</td><td>10</td><td></td><td></td><td></td><td></td><td></td><td></td><td></td><td>3</td><td></td><td></td></tr> </table>				69							63	62	61			58	57	56	55	54	53	52	51	50	49						44	43	42	41				37	36	35	34	33	73			32			29	28	27	26									19	18		73			16			14	13	12	11	10								3		
			69							63	62	61			58	57	56	55	54	53																																																																						
52	51	50	49						44	43	42	41				37	36	35	34	33																																																																						
73			32			29	28	27	26									19	18																																																																							
73			16			14	13	12	11	10								3																																																																								
AVAILABLE	NOT APPLICABLE	34566-2573	9	C	BLUE	<table border="1"> <tr><td>72</td><td></td><td>70</td><td></td><td></td><td>67</td><td>66</td><td></td><td></td><td>63</td><td>62</td><td></td><td></td><td>59</td><td></td><td>57</td><td></td><td></td><td></td><td>53</td></tr> <tr><td>52</td><td>51</td><td></td><td></td><td></td><td>46</td><td></td><td>44</td><td></td><td>42</td><td></td><td>40</td><td>39</td><td></td><td></td><td></td><td></td><td></td><td></td><td>34</td><td>33</td></tr> <tr><td colspan="3">73</td><td></td><td></td><td>30</td><td></td><td></td><td></td><td>26</td><td>25</td><td></td><td></td><td></td><td></td><td>22</td><td>21</td><td>20</td><td></td><td></td><td></td></tr> <tr><td colspan="3">73</td><td></td><td>15</td><td>14</td><td></td><td></td><td></td><td>10</td><td>9</td><td></td><td></td><td></td><td></td><td>6</td><td>5</td><td>4</td><td></td><td></td><td></td></tr> </table>	72		70			67	66			63	62			59		57				53	52	51				46		44		42		40	39							34	33	73					30				26	25					22	21	20				73				15	14				10	9					6	5	4				
72		70			67	66			63	62			59		57				53																																																																							
52	51				46		44		42		40	39							34	33																																																																						
73					30				26	25					22	21	20																																																																									
73				15	14				10	9					6	5	4																																																																									

QUALITY SYMBOLS ▽ = 0 ▽ = 0 ▽ = 0 ▽ = 0 ▽ = 0 ▽ = 0 ▽ = 0 ▽ = 0 ▽ = 0	THIS DRAWING CONTAINS INFORMATION THAT IS PROPRIETARY TO MOLEX ELECTRONIC TECHNOLOGIES, LLC AND SHOULD NOT BE USED WITHOUT WRITTEN PERMISSION									
	2017/03/27	2017/03/30	GENERAL TOLERANCES (UNLESS SPECIFIED)		DIMENSION UNITS	SCALE	 MX123 66/73/80CKT HRNS CONN ASSY PRODUCT CUSTOMER DRAWING			
	EC NO: 115012 DRWN: TYE CHKD: REV APPR: JDENG02	G49	ANGULAR TOL ± °		MM	1:1				
			4 PLACES ±	SKRAJENDRANA	2011/02/14					
			3 PLACES ±	CHKD BY	DATE					
			2 PLACES ±	MVANSLAMBROU	2011/02/14					
			1 PLACE ±	APPR BY	DATE					
	0 PLACES ±	DRAWING SIZE		THIRD ANGLE PROJECTION						
	DRAFT WHERE APPLICABLE MUST REMAIN WITHIN DIMENSIONS		D							
	SERIES		MATERIAL NUMBER		CUSTOMER					
34566		SEE BOM TABLE		GENERAL MARKET						
DOCUMENT NUMBER		DOC TYPE		DOC PART SHEET NUMBER						
SD-34566-001		PSD		000 30 OF 92						

STATUS	GM PART #	MATERIAL #	WIRE DRESS OPTION	KEY OPTION	COLOR (TPA)	NUMBERS INDICATE CAVITIES OPEN FOR CIRCUITS																																																																																				
AVAILABLE	NOT APPLICABLE	34566-2583	0	A	BLACK	<table border="1"> <tr><td></td><td></td><td></td><td>69</td><td></td><td></td><td></td><td></td><td></td><td></td><td>63</td><td></td><td></td><td></td><td></td><td>58</td><td></td><td>56</td><td>55</td><td>54</td><td>53</td></tr> <tr><td>52</td><td>51</td><td>50</td><td>49</td><td></td><td></td><td></td><td></td><td></td><td>44</td><td>43</td><td>42</td><td>41</td><td></td><td>39</td><td></td><td></td><td>36</td><td>35</td><td>34</td><td>33</td></tr> <tr><td colspan="3">73</td><td></td><td>32</td><td></td><td></td><td></td><td></td><td>28</td><td>26</td><td></td><td></td><td></td><td></td><td></td><td></td><td>19</td><td>18</td><td></td><td></td></tr> <tr><td colspan="3"></td><td></td><td>16</td><td></td><td>14</td><td></td><td></td><td>12</td><td>10</td><td></td><td></td><td></td><td></td><td></td><td></td><td>3</td><td></td><td></td><td></td></tr> </table>				69							63					58		56	55	54	53	52	51	50	49						44	43	42	41		39			36	35	34	33	73				32					28	26							19	18							16		14			12	10							3			
			69							63					58		56	55	54	53																																																																						
52	51	50	49						44	43	42	41		39			36	35	34	33																																																																						
73				32					28	26							19	18																																																																								
				16		14			12	10							3																																																																									
AVAILABLE	NOT APPLICABLE	34566-2593	0	C	BLUE	<table border="1"> <tr><td>72</td><td></td><td>70</td><td></td><td></td><td></td><td>66</td><td></td><td></td><td>63</td><td>62</td><td></td><td></td><td>59</td><td></td><td>57</td><td></td><td></td><td></td><td></td><td>53</td></tr> <tr><td>52</td><td>51</td><td></td><td></td><td></td><td></td><td>46</td><td></td><td>44</td><td>42</td><td></td><td></td><td>40</td><td>39</td><td></td><td></td><td></td><td></td><td></td><td>34</td><td>33</td></tr> <tr><td colspan="3">73</td><td></td><td>32</td><td></td><td></td><td></td><td></td><td>27</td><td>26</td><td>25</td><td></td><td></td><td>22</td><td>21</td><td></td><td></td><td></td><td></td><td></td></tr> <tr><td colspan="3"></td><td></td><td>15</td><td>14</td><td></td><td></td><td></td><td>10</td><td>9</td><td></td><td></td><td>6</td><td></td><td></td><td></td><td></td><td></td><td></td><td></td></tr> </table>	72		70				66			63	62			59		57					53	52	51					46		44	42			40	39						34	33	73				32					27	26	25			22	21										15	14				10	9			6							
72		70				66			63	62			59		57					53																																																																						
52	51					46		44	42			40	39						34	33																																																																						
73				32					27	26	25			22	21																																																																											
				15	14				10	9			6																																																																													
AVAILABLE	NOT APPLICABLE	34566-2613	9	C	BLUE	<table border="1"> <tr><td>72</td><td></td><td>70</td><td></td><td></td><td>67</td><td>66</td><td></td><td></td><td>63</td><td>62</td><td></td><td></td><td>59</td><td></td><td>57</td><td></td><td></td><td></td><td></td><td>53</td></tr> <tr><td>52</td><td>51</td><td></td><td></td><td></td><td>46</td><td></td><td></td><td>44</td><td>42</td><td></td><td></td><td>40</td><td>39</td><td></td><td></td><td></td><td></td><td></td><td>34</td><td>33</td></tr> <tr><td colspan="3">73</td><td></td><td></td><td>30</td><td></td><td></td><td></td><td>27</td><td>26</td><td>25</td><td></td><td></td><td>22</td><td>21</td><td>20</td><td></td><td></td><td></td><td></td></tr> <tr><td colspan="3"></td><td></td><td>15</td><td>14</td><td></td><td></td><td></td><td>10</td><td>9</td><td></td><td></td><td>6</td><td>5</td><td>4</td><td></td><td></td><td></td><td></td><td></td></tr> </table>	72		70			67	66			63	62			59		57					53	52	51				46			44	42			40	39						34	33	73					30				27	26	25			22	21	20									15	14				10	9			6	5	4					
72		70			67	66			63	62			59		57					53																																																																						
52	51				46			44	42			40	39						34	33																																																																						
73					30				27	26	25			22	21	20																																																																										
				15	14				10	9			6	5	4																																																																											
AVAILABLE	NOT APPLICABLE	34566-2623	0	A	BLACK	<table border="1"> <tr><td></td><td>71</td><td></td><td>69</td><td>68</td><td>67</td><td></td><td>65</td><td>64</td><td>63</td><td></td><td>61</td><td></td><td>59</td><td></td><td>57</td><td>56</td><td></td><td></td><td></td><td></td></tr> <tr><td></td><td></td><td>50</td><td>49</td><td></td><td>47</td><td></td><td></td><td></td><td></td><td></td><td>41</td><td></td><td></td><td>38</td><td>37</td><td>36</td><td></td><td></td><td>34</td><td>33</td></tr> <tr><td colspan="3">73</td><td></td><td>32</td><td>31</td><td>30</td><td>29</td><td>28</td><td>27</td><td></td><td>24</td><td>23</td><td></td><td></td><td>20</td><td>19</td><td>18</td><td></td><td></td><td></td></tr> <tr><td colspan="3"></td><td></td><td>16</td><td></td><td></td><td>13</td><td>12</td><td>11</td><td>10</td><td>9</td><td></td><td>7</td><td></td><td>4</td><td></td><td></td><td></td><td></td><td></td></tr> </table>		71		69	68	67		65	64	63		61		59		57	56							50	49		47						41			38	37	36			34	33	73				32	31	30	29	28	27		24	23			20	19	18								16			13	12	11	10	9		7		4					
	71		69	68	67		65	64	63		61		59		57	56																																																																										
		50	49		47						41			38	37	36			34	33																																																																						
73				32	31	30	29	28	27		24	23			20	19	18																																																																									
				16			13	12	11	10	9		7		4																																																																											
AVAILABLE	NOT APPLICABLE	34566-2633	0	A	BLACK	<table border="1"> <tr><td></td><td>71</td><td></td><td>69</td><td>68</td><td>67</td><td></td><td>65</td><td>64</td><td></td><td></td><td>61</td><td></td><td>59</td><td></td><td>57</td><td>56</td><td></td><td></td><td></td><td></td></tr> <tr><td></td><td></td><td>50</td><td>49</td><td></td><td>47</td><td></td><td></td><td></td><td></td><td></td><td>41</td><td></td><td></td><td>38</td><td>37</td><td>36</td><td></td><td></td><td>34</td><td>33</td></tr> <tr><td colspan="3">73</td><td></td><td>32</td><td>31</td><td>30</td><td>29</td><td>28</td><td>27</td><td></td><td>24</td><td>23</td><td></td><td></td><td>20</td><td>19</td><td>18</td><td></td><td></td><td></td></tr> <tr><td colspan="3"></td><td></td><td>16</td><td></td><td></td><td></td><td></td><td>11</td><td>10</td><td>9</td><td></td><td>7</td><td></td><td>4</td><td></td><td></td><td></td><td></td><td></td></tr> </table>		71		69	68	67		65	64			61		59		57	56							50	49		47						41			38	37	36			34	33	73				32	31	30	29	28	27		24	23			20	19	18								16					11	10	9		7		4					
	71		69	68	67		65	64			61		59		57	56																																																																										
		50	49		47						41			38	37	36			34	33																																																																						
73				32	31	30	29	28	27		24	23			20	19	18																																																																									
				16					11	10	9		7		4																																																																											
AVAILABLE	NOT APPLICABLE	34566-2643	0	A	BLACK	<table border="1"> <tr><td></td><td>71</td><td></td><td>69</td><td>68</td><td>67</td><td></td><td>65</td><td>64</td><td>63</td><td></td><td>61</td><td></td><td>59</td><td></td><td>57</td><td>56</td><td></td><td></td><td></td><td></td></tr> <tr><td></td><td></td><td>50</td><td>49</td><td></td><td>47</td><td></td><td></td><td></td><td></td><td></td><td>41</td><td></td><td>39</td><td>38</td><td>37</td><td>36</td><td></td><td></td><td>34</td><td>33</td></tr> <tr><td colspan="3">73</td><td></td><td>32</td><td>31</td><td>30</td><td>29</td><td>28</td><td>27</td><td></td><td>24</td><td>23</td><td>22</td><td></td><td>20</td><td>19</td><td>18</td><td></td><td></td><td></td></tr> <tr><td colspan="3"></td><td></td><td>16</td><td></td><td></td><td>13</td><td>12</td><td>11</td><td>10</td><td>9</td><td></td><td>7</td><td></td><td>4</td><td></td><td></td><td></td><td></td><td></td></tr> </table>		71		69	68	67		65	64	63		61		59		57	56							50	49		47						41		39	38	37	36			34	33	73				32	31	30	29	28	27		24	23	22		20	19	18								16			13	12	11	10	9		7		4					
	71		69	68	67		65	64	63		61		59		57	56																																																																										
		50	49		47						41		39	38	37	36			34	33																																																																						
73				32	31	30	29	28	27		24	23	22		20	19	18																																																																									
				16			13	12	11	10	9		7		4																																																																											
AVAILABLE	NOT APPLICABLE	34566-2653	0	A	BLACK	<table border="1"> <tr><td></td><td>71</td><td></td><td>69</td><td>68</td><td>67</td><td></td><td>65</td><td>64</td><td></td><td></td><td>61</td><td></td><td>59</td><td></td><td>57</td><td>56</td><td></td><td></td><td></td><td></td></tr> <tr><td></td><td></td><td>50</td><td>49</td><td></td><td>47</td><td></td><td></td><td></td><td></td><td></td><td>41</td><td></td><td>39</td><td>38</td><td>37</td><td>36</td><td></td><td></td><td>34</td><td>33</td></tr> <tr><td colspan="3">73</td><td></td><td>32</td><td>31</td><td>30</td><td>29</td><td>28</td><td>27</td><td></td><td>24</td><td>23</td><td>22</td><td></td><td>20</td><td>19</td><td>18</td><td></td><td></td><td></td></tr> <tr><td colspan="3"></td><td></td><td>16</td><td></td><td></td><td></td><td></td><td>11</td><td>10</td><td>9</td><td></td><td>7</td><td></td><td>4</td><td></td><td></td><td></td><td></td><td></td></tr> </table>		71		69	68	67		65	64			61		59		57	56							50	49		47						41		39	38	37	36			34	33	73				32	31	30	29	28	27		24	23	22		20	19	18								16					11	10	9		7		4					
	71		69	68	67		65	64			61		59		57	56																																																																										
		50	49		47						41		39	38	37	36			34	33																																																																						
73				32	31	30	29	28	27		24	23	22		20	19	18																																																																									
				16					11	10	9		7		4																																																																											
AVAILABLE	NOT APPLICABLE	34566-2663	0	H	ST GRY	<table border="1"> <tr><td></td><td></td><td>79</td><td>78</td><td>77</td><td>76</td><td>75</td><td>74</td><td>73</td><td>72</td><td>71</td><td>70</td><td>69</td><td>68</td><td></td><td>66</td><td>65</td><td>64</td><td>63</td><td></td><td>61</td></tr> <tr><td>60</td><td>59</td><td>58</td><td>57</td><td>56</td><td></td><td></td><td></td><td>53</td><td></td><td></td><td>50</td><td></td><td></td><td></td><td></td><td></td><td>44</td><td>43</td><td></td><td>41</td></tr> <tr><td>40</td><td>39</td><td>38</td><td>37</td><td></td><td>35</td><td>34</td><td></td><td>32</td><td></td><td>30</td><td>29</td><td></td><td>27</td><td>26</td><td></td><td></td><td></td><td></td><td>22</td><td>21</td></tr> <tr><td>20</td><td>19</td><td>18</td><td>17</td><td></td><td></td><td></td><td></td><td>13</td><td>12</td><td></td><td></td><td></td><td></td><td>8</td><td>6</td><td>5</td><td></td><td>3</td><td>2</td><td></td></tr> </table>			79	78	77	76	75	74	73	72	71	70	69	68		66	65	64	63		61	60	59	58	57	56				53			50						44	43		41	40	39	38	37		35	34		32		30	29		27	26					22	21	20	19	18	17					13	12					8	6	5		3	2	
		79	78	77	76	75	74	73	72	71	70	69	68		66	65	64	63		61																																																																						
60	59	58	57	56				53			50						44	43		41																																																																						
40	39	38	37		35	34		32		30	29		27	26					22	21																																																																						
20	19	18	17					13	12					8	6	5		3	2																																																																							
AVAILABLE	NOT APPLICABLE	34566-2673	0	H	ST GRY	<table border="1"> <tr><td></td><td></td><td>79</td><td>78</td><td>77</td><td>76</td><td>75</td><td>74</td><td>73</td><td>72</td><td>71</td><td>70</td><td>69</td><td>68</td><td></td><td>66</td><td>65</td><td>64</td><td>63</td><td></td><td>61</td></tr> <tr><td>60</td><td>59</td><td>58</td><td>57</td><td>56</td><td></td><td></td><td></td><td>53</td><td>52</td><td></td><td>50</td><td></td><td></td><td></td><td></td><td></td><td>44</td><td>43</td><td></td><td>41</td></tr> <tr><td>40</td><td>39</td><td>38</td><td>37</td><td></td><td>35</td><td>34</td><td></td><td>32</td><td></td><td>30</td><td>29</td><td></td><td>27</td><td>26</td><td></td><td></td><td></td><td></td><td>22</td><td>21</td></tr> <tr><td>20</td><td>19</td><td>18</td><td>17</td><td>16</td><td></td><td></td><td></td><td>13</td><td>12</td><td></td><td></td><td></td><td></td><td>8</td><td>6</td><td>5</td><td></td><td>3</td><td>2</td><td></td></tr> </table>			79	78	77	76	75	74	73	72	71	70	69	68		66	65	64	63		61	60	59	58	57	56				53	52		50						44	43		41	40	39	38	37		35	34		32		30	29		27	26					22	21	20	19	18	17	16				13	12					8	6	5		3	2	
		79	78	77	76	75	74	73	72	71	70	69	68		66	65	64	63		61																																																																						
60	59	58	57	56				53	52		50						44	43		41																																																																						
40	39	38	37		35	34		32		30	29		27	26					22	21																																																																						
20	19	18	17	16				13	12					8	6	5		3	2																																																																							

QUALITY SYMBOLS = 0 = 0 = 0 = 0 = 0 = 0 = 0 = 0 = 0		THIS DRAWING CONTAINS INFORMATION THAT IS PROPRIETARY TO MOLEX ELECTRONIC TECHNOLOGIES, LLC AND SHOULD NOT BE USED WITHOUT WRITTEN PERMISSION		DIMENSION UNITS MM		SCALE 1:1			
EC NO: 115012 DRWN: TYE CHKD: JDENG02 REV APPR:		2017/03/27 2017/03/30		GENERAL TOLERANCES (UNLESS SPECIFIED) ANGULAR TOL ± ° 4 PLACES ± 3 PLACES ± 2 PLACES ± 1 PLACE ± 0 PLACES ±		DRWN BY: SKRAJENDRANA DATE: 2011/02/14 CHKD BY: MVANSLAMBROU DATE: 2011/02/14 APPR BY:			
G49		DRAFT WHERE APPLICABLE MUST REMAIN WITHIN DIMENSIONS		DRAWING SIZE: D		THIRD ANGLE PROJECTION		SERIES: 34566 MATERIAL NUMBER: SEE BOM TABLE CUSTOMER: GENERAL MARKET	
RELEASE STATUS		RELEASE DATE		DOCUMENT NUMBER: SD-34566-001		DOC TYPE: PSD		DOC PART SHEET NUMBER: 000 31 OF 92	

STATUS	GM PART #	MATERIAL #	WIRE DRESS OPTION	KEY OPTION	COLOR (TPA)	NUMBERS INDICATE CAVITIES OPEN FOR CIRCUITS																																																																																																				
AVAILABLE	NOT APPLICABLE	34566-9913	0	A	BLACK	<table border="1"> <tr><td>72</td><td>71</td><td></td><td></td><td>68</td><td>67</td><td>66</td><td>65</td><td>64</td><td></td><td></td><td></td><td></td><td>59</td><td></td><td></td><td></td><td></td><td></td><td></td></tr> <tr><td></td><td></td><td>50</td><td></td><td>48</td><td>47</td><td>46</td><td>45</td><td></td><td></td><td></td><td></td><td></td><td>40</td><td>39</td><td>38</td><td></td><td></td><td></td><td></td></tr> <tr><td></td><td></td><td>73</td><td></td><td></td><td>31</td><td>30</td><td></td><td></td><td></td><td></td><td></td><td>25</td><td>24</td><td></td><td>22</td><td>21</td><td>20</td><td></td><td>17</td></tr> <tr><td></td><td></td><td></td><td></td><td></td><td></td><td>14</td><td></td><td></td><td></td><td></td><td></td><td>9</td><td></td><td>7</td><td>6</td><td>5</td><td>4</td><td></td><td>2</td></tr> <tr><td></td><td></td><td></td><td></td><td></td><td></td><td></td><td></td><td></td><td></td><td></td><td></td><td></td><td></td><td></td><td></td><td></td><td></td><td></td><td>1</td></tr> </table>	72	71			68	67	66	65	64					59									50		48	47	46	45						40	39	38							73			31	30						25	24		22	21	20		17							14						9		7	6	5	4		2																				1
72	71			68	67	66	65	64					59																																																																																													
		50		48	47	46	45						40	39	38																																																																																											
		73			31	30						25	24		22	21	20		17																																																																																							
						14						9		7	6	5	4		2																																																																																							
																			1																																																																																							
AVAILABLE	NOT APPLICABLE	34566-9923	0	A	BLACK	<table border="1"> <tr><td>72</td><td>71</td><td></td><td></td><td></td><td>67</td><td>66</td><td></td><td></td><td></td><td>62</td><td>61</td><td>60</td><td></td><td></td><td>57</td><td></td><td>55</td><td>54</td><td></td></tr> <tr><td></td><td>51</td><td></td><td></td><td>48</td><td>46</td><td>45</td><td>44</td><td>43</td><td>42</td><td></td><td></td><td>39</td><td></td><td></td><td></td><td></td><td>35</td><td></td><td>33</td></tr> <tr><td></td><td></td><td>73</td><td></td><td></td><td></td><td></td><td></td><td></td><td></td><td>26</td><td>25</td><td>24</td><td></td><td></td><td></td><td></td><td></td><td></td><td></td></tr> <tr><td></td><td></td><td></td><td></td><td></td><td>15</td><td>14</td><td></td><td></td><td></td><td></td><td></td><td>8</td><td>7</td><td>6</td><td>5</td><td>4</td><td>3</td><td>2</td><td></td></tr> </table>	72	71				67	66				62	61	60			57		55	54			51			48	46	45	44	43	42			39					35		33			73								26	25	24													15	14						8	7	6	5	4	3	2																					
72	71				67	66				62	61	60			57		55	54																																																																																								
	51			48	46	45	44	43	42			39					35		33																																																																																							
		73								26	25	24																																																																																														
					15	14						8	7	6	5	4	3	2																																																																																								
AVAILABLE	NOT APPLICABLE	34566-9933	0	B	ST GRY	<table border="1"> <tr><td></td><td></td><td></td><td></td><td>69</td><td></td><td></td><td></td><td>65</td><td>64</td><td>63</td><td></td><td></td><td></td><td></td><td></td><td></td><td></td><td></td><td></td></tr> <tr><td></td><td></td><td></td><td></td><td>49</td><td></td><td></td><td></td><td>45</td><td>44</td><td>43</td><td></td><td></td><td></td><td></td><td></td><td></td><td></td><td></td><td></td></tr> <tr><td></td><td></td><td>73</td><td></td><td></td><td></td><td></td><td></td><td></td><td></td><td></td><td></td><td></td><td></td><td></td><td>22</td><td>21</td><td>20</td><td>19</td><td>18</td></tr> <tr><td></td><td></td><td></td><td></td><td></td><td></td><td></td><td></td><td>12</td><td>11</td><td></td><td></td><td></td><td></td><td>6</td><td>5</td><td>4</td><td>3</td><td>2</td><td>1</td></tr> </table>					69				65	64	63														49				45	44	43												73													22	21	20	19	18									12	11					6	5	4	3	2	1																				
				69				65	64	63																																																																																																
				49				45	44	43																																																																																																
		73													22	21	20	19	18																																																																																							
								12	11					6	5	4	3	2	1																																																																																							
AVAILABLE	NOT APPLICABLE	34566-9943	0	C	BLUE	<table border="1"> <tr><td></td><td>71</td><td></td><td>69</td><td></td><td></td><td></td><td></td><td>65</td><td>64</td><td></td><td></td><td>61</td><td>60</td><td></td><td>58</td><td></td><td>56</td><td>55</td><td>54</td></tr> <tr><td></td><td></td><td>50</td><td>49</td><td></td><td></td><td></td><td></td><td>45</td><td>43</td><td></td><td></td><td>41</td><td></td><td></td><td></td><td></td><td>37</td><td>36</td><td>35</td></tr> <tr><td></td><td></td><td>73</td><td></td><td></td><td>31</td><td>29</td><td>28</td><td></td><td></td><td></td><td></td><td>24</td><td>23</td><td></td><td></td><td></td><td></td><td>19</td><td>18</td></tr> <tr><td></td><td></td><td></td><td></td><td></td><td>16</td><td></td><td></td><td>13</td><td>12</td><td>11</td><td></td><td></td><td>8</td><td>7</td><td></td><td></td><td></td><td>3</td><td>2</td></tr> <tr><td></td><td></td><td></td><td></td><td></td><td></td><td></td><td></td><td></td><td></td><td></td><td></td><td></td><td></td><td></td><td></td><td></td><td></td><td></td><td>1</td></tr> </table>		71		69					65	64			61	60		58		56	55	54			50	49					45	43			41					37	36	35			73			31	29	28					24	23					19	18						16			13	12	11			8	7				3	2																				1
	71		69					65	64			61	60		58		56	55	54																																																																																							
		50	49					45	43			41					37	36	35																																																																																							
		73			31	29	28					24	23					19	18																																																																																							
					16			13	12	11			8	7				3	2																																																																																							
																			1																																																																																							
AVAILABLE	NOT APPLICABLE	34566-9953	0	A	BLACK	<table border="1"> <tr><td></td><td></td><td></td><td></td><td></td><td>67</td><td></td><td></td><td></td><td></td><td>62</td><td></td><td>60</td><td></td><td></td><td>57</td><td></td><td>55</td><td></td><td></td></tr> <tr><td></td><td>51</td><td></td><td></td><td>48</td><td></td><td>46</td><td>45</td><td>44</td><td>43</td><td></td><td></td><td>39</td><td></td><td></td><td></td><td></td><td>35</td><td></td><td></td></tr> <tr><td></td><td></td><td>73</td><td></td><td></td><td></td><td></td><td></td><td></td><td></td><td></td><td></td><td>25</td><td></td><td></td><td></td><td></td><td></td><td></td><td></td></tr> <tr><td></td><td></td><td></td><td></td><td></td><td>15</td><td>14</td><td></td><td></td><td></td><td></td><td></td><td></td><td>7</td><td>6</td><td>5</td><td>4</td><td>3</td><td>2</td><td></td></tr> </table>						67					62		60			57		55				51			48		46	45	44	43			39					35					73										25													15	14							7	6	5	4	3	2																					
					67					62		60			57		55																																																																																									
	51			48		46	45	44	43			39					35																																																																																									
		73										25																																																																																														
					15	14							7	6	5	4	3	2																																																																																								
AVAILABLE	NOT APPLICABLE	34566-9963	0	B	ST GRY	<table border="1"> <tr><td></td><td></td><td></td><td></td><td>68</td><td>67</td><td></td><td></td><td>64</td><td>63</td><td></td><td></td><td></td><td></td><td>58</td><td></td><td></td><td>55</td><td></td><td></td></tr> <tr><td></td><td></td><td></td><td></td><td></td><td></td><td>46</td><td>45</td><td>43</td><td></td><td></td><td></td><td></td><td></td><td>38</td><td></td><td></td><td>35</td><td></td><td></td></tr> <tr><td></td><td></td><td>73</td><td></td><td></td><td>32</td><td>30</td><td>29</td><td>28</td><td>27</td><td></td><td></td><td></td><td></td><td>22</td><td></td><td></td><td>19</td><td></td><td>17</td></tr> <tr><td></td><td></td><td></td><td></td><td></td><td>15</td><td>13</td><td></td><td></td><td>10</td><td></td><td></td><td></td><td></td><td></td><td></td><td></td><td></td><td></td><td>1</td></tr> </table>					68	67			64	63					58			55									46	45	43						38			35					73			32	30	29	28	27					22			19		17						15	13			10										1																				
				68	67			64	63					58			55																																																																																									
						46	45	43						38			35																																																																																									
		73			32	30	29	28	27					22			19		17																																																																																							
					15	13			10										1																																																																																							
AVAILABLE	NOT APPLICABLE	34566-9973	0	B	ST GRY	<table border="1"> <tr><td></td><td></td><td></td><td></td><td>68</td><td>67</td><td></td><td></td><td>64</td><td>63</td><td></td><td></td><td></td><td></td><td>58</td><td></td><td></td><td></td><td></td><td></td></tr> <tr><td></td><td></td><td></td><td></td><td></td><td></td><td>46</td><td>45</td><td>43</td><td></td><td></td><td></td><td></td><td></td><td>38</td><td></td><td></td><td></td><td></td><td></td></tr> <tr><td></td><td></td><td>73</td><td></td><td></td><td>32</td><td>30</td><td>29</td><td>28</td><td>27</td><td></td><td></td><td></td><td></td><td>22</td><td></td><td></td><td></td><td></td><td>17</td></tr> <tr><td></td><td></td><td></td><td></td><td></td><td>15</td><td>13</td><td></td><td></td><td>10</td><td></td><td></td><td></td><td></td><td></td><td></td><td></td><td></td><td></td><td></td></tr> </table>					68	67			64	63					58												46	45	43						38								73			32	30	29	28	27					22					17						15	13			10																														
				68	67			64	63					58																																																																																												
						46	45	43						38																																																																																												
		73			32	30	29	28	27					22					17																																																																																							
					15	13			10																																																																																																	

QUALITY SYMBOLS = 0 = 0 = 0 = 0 = 0 = 0 = 0 = 0 = 0	THIS DRAWING CONTAINS INFORMATION THAT IS PROPRIETARY TO MOLEX ELECTRONIC TECHNOLOGIES, LLC AND SHOULD NOT BE USED WITHOUT WRITTEN PERMISSION									
	2017/03/27	2017/03/30	GENERAL TOLERANCES (UNLESS SPECIFIED)		DIMENSION UNITS	SCALE				
	EC NO: 115012 DRWN: TYE CHKD: REV APPR: JDENG02	G49	ANGULAR TOL ± °		MM	1:1				
			4 PLACES ±	SKRAJENDRANA	DATE	2011/02/14				
			3 PLACES ±	CHKD BY	DATE					
			2 PLACES ±	MVANSLAMBROU	DATE	2011/02/14				
			1 PLACE ±	APPR BY	DATE					
	0 PLACES ±	DRAWING SIZE		THIRD ANGLE PROJECTION						
	DRAFT WHERE APPLICABLE MUST REMAIN WITHIN DIMENSIONS		D							
	SERIES		MATERIAL NUMBER		CUSTOMER					
34566		SEE BOM TABLE		GENERAL MARKET						
DOCUMENT NUMBER		DOC TYPE		DOC PART SHEET NUMBER						
SD-34566-001		PSD		000 35 OF 92						


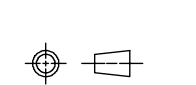
STATUS	GM PART #	MATERIAL #	WIRE DRESS OPTION	KEY OPTION	COLOR (TPA)	NUMBERS INDICATE CAVITIES OPEN FOR CIRCUITS																																																																																				
AVAILABLE	NOT APPLICABLE	34566-2983	9	A	BLACK	<table border="1"> <tr><td></td><td></td><td>70</td><td>69</td><td></td><td></td><td></td><td></td><td></td><td></td><td>63</td><td>62</td><td>61</td><td></td><td></td><td>58</td><td>57</td><td>56</td><td>55</td><td>54</td><td>53</td></tr> <tr><td>52</td><td>51</td><td></td><td>49</td><td></td><td></td><td></td><td></td><td></td><td>44</td><td>43</td><td>42</td><td>41</td><td></td><td></td><td></td><td>37</td><td>36</td><td></td><td>34</td><td></td></tr> <tr><td colspan="2">73</td><td></td><td>32</td><td></td><td></td><td>29</td><td>28</td><td>27</td><td>26</td><td></td><td></td><td></td><td></td><td></td><td></td><td></td><td></td><td>19</td><td>18</td><td>17</td></tr> <tr><td colspan="2"></td><td></td><td>16</td><td>15</td><td></td><td>13</td><td>12</td><td>11</td><td>10</td><td></td><td></td><td></td><td></td><td></td><td></td><td></td><td></td><td>3</td><td>2</td><td>1</td></tr> </table>			70	69							63	62	61			58	57	56	55	54	53	52	51		49						44	43	42	41				37	36		34		73			32			29	28	27	26									19	18	17				16	15		13	12	11	10									3	2	1
		70	69							63	62	61			58	57	56	55	54	53																																																																						
52	51		49						44	43	42	41				37	36		34																																																																							
73			32			29	28	27	26									19	18	17																																																																						
			16	15		13	12	11	10									3	2	1																																																																						
AVAILABLE	NOT APPLICABLE	34566-2993	9	B	ST GRY	<table border="1"> <tr><td>72</td><td>71</td><td>70</td><td></td><td>68</td><td>67</td><td>66</td><td></td><td></td><td></td><td>62</td><td>61</td><td>60</td><td>59</td><td>58</td><td>57</td><td>56</td><td>55</td><td>54</td><td>53</td></tr> <tr><td>52</td><td>51</td><td>50</td><td></td><td>48</td><td>47</td><td>46</td><td></td><td></td><td></td><td>42</td><td>41</td><td>40</td><td>39</td><td>38</td><td>37</td><td>36</td><td>35</td><td>34</td><td>33</td></tr> <tr><td colspan="2">73</td><td></td><td>32</td><td>31</td><td>30</td><td>29</td><td>28</td><td>27</td><td>26</td><td>25</td><td>24</td><td></td><td></td><td></td><td></td><td></td><td></td><td></td><td></td></tr> <tr><td colspan="2"></td><td></td><td>16</td><td>15</td><td>14</td><td>13</td><td></td><td></td><td>10</td><td>9</td><td>8</td><td></td><td></td><td></td><td></td><td></td><td></td><td></td><td></td></tr> </table>	72	71	70		68	67	66				62	61	60	59	58	57	56	55	54	53	52	51	50		48	47	46				42	41	40	39	38	37	36	35	34	33	73			32	31	30	29	28	27	26	25	24												16	15	14	13			10	9	8												
72	71	70		68	67	66				62	61	60	59	58	57	56	55	54	53																																																																							
52	51	50		48	47	46				42	41	40	39	38	37	36	35	34	33																																																																							
73			32	31	30	29	28	27	26	25	24																																																																															
			16	15	14	13			10	9	8																																																																															
AVAILABLE	NOT APPLICABLE	34566-3013	9	C	BLUE	<table border="1"> <tr><td>72</td><td>71</td><td>70</td><td>69</td><td>68</td><td>67</td><td>66</td><td></td><td></td><td>63</td><td>62</td><td></td><td></td><td>59</td><td></td><td>57</td><td>56</td><td>55</td><td></td><td>53</td></tr> <tr><td>52</td><td>51</td><td></td><td></td><td></td><td></td><td>46</td><td></td><td>44</td><td>42</td><td></td><td>40</td><td>39</td><td>38</td><td></td><td></td><td></td><td></td><td>34</td><td>33</td></tr> <tr><td colspan="2">73</td><td></td><td>32</td><td></td><td>30</td><td></td><td></td><td></td><td>26</td><td>25</td><td></td><td></td><td>22</td><td>21</td><td></td><td></td><td>19</td><td>18</td><td></td></tr> <tr><td colspan="2"></td><td></td><td></td><td>15</td><td>14</td><td></td><td></td><td></td><td>10</td><td>9</td><td></td><td></td><td>6</td><td>5</td><td>4</td><td>3</td><td></td><td></td><td></td></tr> </table>	72	71	70	69	68	67	66			63	62			59		57	56	55		53	52	51					46		44	42		40	39	38					34	33	73			32		30				26	25			22	21			19	18						15	14				10	9			6	5	4	3							
72	71	70	69	68	67	66			63	62			59		57	56	55		53																																																																							
52	51					46		44	42		40	39	38					34	33																																																																							
73			32		30				26	25			22	21			19	18																																																																								
				15	14				10	9			6	5	4	3																																																																										
AVAILABLE	NOT APPLICABLE	34566-3023	0	G	BLUE	<table border="1"> <tr><td></td><td>79</td><td></td><td></td><td>76</td><td></td><td></td><td></td><td></td><td>71</td><td></td><td></td><td>68</td><td>66</td><td></td><td></td><td></td><td></td><td></td><td>61</td></tr> <tr><td></td><td>59</td><td></td><td></td><td>56</td><td></td><td></td><td>53</td><td></td><td></td><td></td><td>48</td><td>46</td><td></td><td>44</td><td>43</td><td>42</td><td>41</td><td></td><td></td></tr> <tr><td></td><td>39</td><td></td><td></td><td>36</td><td>35</td><td>34</td><td></td><td></td><td></td><td>30</td><td>29</td><td>28</td><td></td><td></td><td>23</td><td>22</td><td>21</td><td></td><td></td></tr> <tr><td></td><td>19</td><td></td><td></td><td>16</td><td>15</td><td>14</td><td>13</td><td>12</td><td>11</td><td></td><td></td><td>7</td><td></td><td></td><td>4</td><td></td><td></td><td></td><td></td></tr> </table>		79			76					71			68	66						61		59			56			53				48	46		44	43	42	41				39			36	35	34				30	29	28			23	22	21				19			16	15	14	13	12	11			7			4								
	79			76					71			68	66						61																																																																							
	59			56			53				48	46		44	43	42	41																																																																									
	39			36	35	34				30	29	28			23	22	21																																																																									
	19			16	15	14	13	12	11			7			4																																																																											
AVAILABLE	NOT APPLICABLE	34566-3033	0	H	ST GRY	<table border="1"> <tr><td>80</td><td></td><td>78</td><td>77</td><td>76</td><td>75</td><td></td><td></td><td></td><td>70</td><td></td><td></td><td></td><td>66</td><td>65</td><td></td><td>63</td><td></td><td></td><td></td></tr> <tr><td>60</td><td></td><td>58</td><td>57</td><td>56</td><td>55</td><td></td><td></td><td></td><td>51</td><td>50</td><td></td><td></td><td>46</td><td>45</td><td>44</td><td>43</td><td></td><td></td><td></td></tr> <tr><td>40</td><td>39</td><td></td><td>37</td><td>36</td><td>35</td><td>34</td><td></td><td></td><td>32</td><td>31</td><td>30</td><td></td><td>28</td><td>26</td><td>24</td><td>23</td><td>22</td><td></td><td></td></tr> <tr><td>20</td><td>19</td><td>18</td><td>17</td><td>16</td><td></td><td></td><td>13</td><td>12</td><td></td><td></td><td></td><td></td><td>6</td><td>5</td><td>4</td><td>3</td><td>2</td><td>1</td><td></td></tr> </table>	80		78	77	76	75				70				66	65		63				60		58	57	56	55				51	50			46	45	44	43				40	39		37	36	35	34			32	31	30		28	26	24	23	22			20	19	18	17	16			13	12					6	5	4	3	2	1					
80		78	77	76	75				70				66	65		63																																																																										
60		58	57	56	55				51	50			46	45	44	43																																																																										
40	39		37	36	35	34			32	31	30		28	26	24	23	22																																																																									
20	19	18	17	16			13	12					6	5	4	3	2	1																																																																								
AVAILABLE	NOT APPLICABLE	34566-3043	0	C	BLUE	<table border="1"> <tr><td>72</td><td></td><td>70</td><td></td><td>68</td><td></td><td>66</td><td></td><td></td><td>63</td><td>62</td><td></td><td></td><td>59</td><td></td><td>57</td><td></td><td></td><td></td><td>53</td></tr> <tr><td>52</td><td>51</td><td></td><td></td><td>48</td><td>47</td><td>46</td><td></td><td>44</td><td></td><td>42</td><td></td><td>40</td><td>39</td><td></td><td></td><td></td><td></td><td>34</td><td>33</td></tr> <tr><td colspan="2">73</td><td></td><td>32</td><td></td><td>30</td><td></td><td></td><td></td><td>27</td><td>26</td><td>25</td><td></td><td></td><td>22</td><td>21</td><td>20</td><td></td><td></td><td></td></tr> <tr><td colspan="2"></td><td></td><td></td><td>15</td><td>14</td><td>13</td><td></td><td></td><td>10</td><td>9</td><td></td><td></td><td>6</td><td>5</td><td>4</td><td></td><td></td><td></td><td></td></tr> </table>	72		70		68		66			63	62			59		57				53	52	51			48	47	46		44		42		40	39					34	33	73			32		30				27	26	25			22	21	20								15	14	13			10	9			6	5	4								
72		70		68		66			63	62			59		57				53																																																																							
52	51			48	47	46		44		42		40	39					34	33																																																																							
73			32		30				27	26	25			22	21	20																																																																										
				15	14	13			10	9			6	5	4																																																																											
AVAILABLE	NOT APPLICABLE	34566-3053	0	C	BLUE	<table border="1"> <tr><td>72</td><td></td><td>70</td><td></td><td>68</td><td></td><td>66</td><td></td><td></td><td>63</td><td>62</td><td></td><td></td><td>59</td><td></td><td>57</td><td></td><td></td><td></td><td>53</td></tr> <tr><td>52</td><td>51</td><td></td><td></td><td>48</td><td>47</td><td>46</td><td></td><td>44</td><td></td><td>42</td><td></td><td>40</td><td>39</td><td>38</td><td></td><td></td><td></td><td>34</td><td>33</td></tr> <tr><td colspan="2">73</td><td></td><td>32</td><td></td><td>30</td><td></td><td></td><td></td><td>27</td><td>26</td><td>25</td><td></td><td></td><td>22</td><td>21</td><td>20</td><td></td><td></td><td></td></tr> <tr><td colspan="2"></td><td></td><td></td><td>15</td><td>14</td><td>13</td><td></td><td></td><td>10</td><td>9</td><td></td><td></td><td>6</td><td>5</td><td>4</td><td></td><td></td><td></td><td></td></tr> </table>	72		70		68		66			63	62			59		57				53	52	51			48	47	46		44		42		40	39	38				34	33	73			32		30				27	26	25			22	21	20								15	14	13			10	9			6	5	4								
72		70		68		66			63	62			59		57				53																																																																							
52	51			48	47	46		44		42		40	39	38				34	33																																																																							
73			32		30				27	26	25			22	21	20																																																																										
				15	14	13			10	9			6	5	4																																																																											
AVAILABLE	NOT APPLICABLE	34566-3063	0	A	BLACK	<table border="1"> <tr><td></td><td>71</td><td></td><td>69</td><td></td><td></td><td></td><td></td><td>65</td><td>64</td><td>63</td><td></td><td></td><td>60</td><td></td><td>58</td><td>57</td><td>56</td><td>55</td><td>54</td><td>53</td></tr> <tr><td>52</td><td>51</td><td></td><td>49</td><td></td><td></td><td></td><td></td><td>45</td><td>44</td><td>43</td><td>42</td><td>41</td><td></td><td></td><td></td><td>37</td><td>36</td><td>35</td><td>34</td><td>33</td></tr> <tr><td colspan="2">73</td><td></td><td>32</td><td></td><td></td><td>30</td><td></td><td></td><td>28</td><td>26</td><td></td><td></td><td></td><td></td><td></td><td></td><td></td><td>19</td><td>18</td><td></td></tr> <tr><td colspan="2"></td><td></td><td>16</td><td></td><td></td><td>12</td><td></td><td></td><td>10</td><td></td><td></td><td></td><td></td><td></td><td></td><td></td><td></td><td>3</td><td></td><td></td></tr> </table>		71		69					65	64	63			60		58	57	56	55	54	53	52	51		49					45	44	43	42	41				37	36	35	34	33	73			32			30			28	26								19	18					16			12			10									3		
	71		69					65	64	63			60		58	57	56	55	54	53																																																																						
52	51		49					45	44	43	42	41				37	36	35	34	33																																																																						
73			32			30			28	26								19	18																																																																							
			16			12			10									3																																																																								

QUALITY SYMBOLS = 0 = 0 = 0 = 0 = 0 = 0 = 0 = 0 = 0	THIS DRAWING CONTAINS INFORMATION THAT IS PROPRIETARY TO MOLEX ELECTRONIC TECHNOLOGIES, LLC AND SHOULD NOT BE USED WITHOUT WRITTEN PERMISSION									
	2017/03/27	2017/03/30	GENERAL TOLERANCES (UNLESS SPECIFIED)		DIMENSION UNITS	SCALE				
	MM	1:1								
	DRWN BY	DATE	ANGULAR TOL ± °		SKRAJENDRANA	2011/02/14				
	4 PLACES ±	3 PLACES ±	2 PLACES ±	1 PLACE ±	0 PLACES ±	DATE				
	CHKD BY	DATE	DRAFT WHERE APPLICABLE MUST REMAIN WITHIN DIMENSIONS		DRAWING SIZE	THIRD ANGLE PROJECTION				
	MVANSLAMBROU	2011/02/14	D							
	APPR BY	DATE	PRODUCT CUSTOMER DRAWING							
	EC NO: 115012	DRWN: TYE	CHKD: JDENG02	REV: APPR: JDENG02	SERIES	MATERIAL NUMBER	CUSTOMER			
	G49				34566	SEE BOM TABLE	GENERAL MARKET			
				DOCUMENT NUMBER	DOC TYPE	DOC PART	SHEET NUMBER			
				SD-34566-001	PSD	000	36 OF 92			

STATUS	GM PART #	MATERIAL #	WIRE DRESS OPTION	KEY OPTION	COLOR (TPA)	NUMBERS INDICATE CAVITIES OPEN FOR CIRCUITS																																																												
AVAILABLE	NOT APPLICABLE	34566-3073	0	A	BLACK	71	69			65	64	63		60		57	56	55	54	53	52	51	49			45	44	43	42	41			37	36	35	34	33	73	32	30	28	26		23			19	18			16			12	10	8	7	6			3					
AVAILABLE	NOT APPLICABLE	34566-3083	0	A	BLACK	71	69			65	64	63		60		58	57	56	55	54	53	52	51	49			45	44	43	42	41			37	36	35	34	33	73	32	30	28	26								19	18			16			11	10					3		
AVAILABLE	NOT APPLICABLE	34566-3093	0	A	BLACK	71	69			64	63	62		60			57	56	55	54	53	52	51	49			45	44	43	42	41			37	36	35	34	33	73	32	30	28	26		23					19	18			16			12	10					3			
AVAILABLE	NOT APPLICABLE	34566-3113	0	A	BLACK	71	69			65	64	63		60			57	56	55	54	53	52	51	49			45	44	43	42	41			37	36	35	34	33	73	32	30	28	26		23		21	19	18			16			12	10	8		5	3						
AVAILABLE	NOT APPLICABLE	34566-3123	0	B	ST GRY	72	70	68	66					60	59			55	54	53	52	51	50	48	46				40	39			35	34	33	73	32	31	30	29	28	27	26	25	24																					
AVAILABLE	NOT APPLICABLE	34566-3133	0	C	BLUE	72	70	68	67	66		63	62		59	57			53	52	51		48	47	46	44	42	40	39			34	33	73	32		30			26	25		22	21	20																					
AVAILABLE	NOT APPLICABLE	34566-3143	0	C	BLUE	72	70			66		63	62		59	57			53	52	51			46	44	42	40	39	37	36		34	33	73	32	30			26	25		22	21																							
AVAILABLE	NOT APPLICABLE	34566-3153	0	A	BLACK		70	69						63			58	56	54	52	51		49	47		44	43	42	41			36	34	73	32			28	26						19	18			16			12	10				3									

QUALITY SYMBOLS = 0 = 0 = 0 = 0 = 0 = 0 = 0 = 0 = 0	THIS DRAWING CONTAINS INFORMATION THAT IS PROPRIETARY TO MOLEX ELECTRONIC TECHNOLOGIES, LLC AND SHOULD NOT BE USED WITHOUT WRITTEN PERMISSION									
	2017/03/27	2017/03/30	GENERAL TOLERANCES (UNLESS SPECIFIED)		DIMENSION UNITS	SCALE				
	DRWN: TYE	CHKD: JDENG02	ANGULAR TOL ± °		MM	1:1				
	EC NO: 115012 G49	REV: APPR:	4 PLACES ±	SKRAJENDRANA	DATE	2011/02/14				
			3 PLACES ±	CHKD BY	DATE	2011/02/14				
			2 PLACES ±	APPR BY	DATE					
			1 PLACE ±	DRAWING SIZE		THIRD ANGLE PROJECTION				
			0 PLACES ±	D						
	DRAFT WHERE APPLICABLE MUST REMAIN WITHIN DIMENSIONS									
	PRODUCT CUSTOMER DRAWING		SERIES		MATERIAL NUMBER		CUSTOMER			
		34566		SEE BOM TABLE		GENERAL MARKET				
DOCUMENT NUMBER		DOC TYPE		DOC PART		SHEET NUMBER				
SD-34566-001		PSD		000		37 OF 92				

STATUS	GM PART #	MATERIAL #	WIRE DRESS OPTION	KEY OPTION ▽	COLOR (TPA) ▽	NUMBERS INDICATE CAVITIES OPEN FOR CIRCUITS ▽																																																																																
AVAILABLE	NOT APPLICABLE	34566-3163	0	C	BLUE	<table border="1"> <tr><td>72</td><td></td><td>70</td><td></td><td></td><td></td><td></td><td></td><td></td><td>63</td><td>62</td><td></td><td></td><td>59</td><td></td><td>57</td><td>56</td><td>55</td><td></td><td>53</td></tr> <tr><td>52</td><td>51</td><td></td><td></td><td></td><td></td><td></td><td></td><td>46</td><td>44</td><td></td><td>42</td><td>40</td><td>39</td><td></td><td>37</td><td>36</td><td></td><td>34</td><td>33</td></tr> <tr><td colspan="2">73</td><td></td><td>32</td><td></td><td>30</td><td></td><td></td><td></td><td>26</td><td>25</td><td></td><td></td><td>22</td><td>21</td><td></td><td></td><td>19</td><td>18</td><td></td></tr> <tr><td colspan="2"></td><td></td><td>15</td><td>14</td><td></td><td></td><td></td><td></td><td>10</td><td>9</td><td></td><td></td><td>6</td><td></td><td></td><td></td><td>3</td><td></td><td></td></tr> </table>	72		70							63	62			59		57	56	55		53	52	51							46	44		42	40	39		37	36		34	33	73			32		30				26	25			22	21			19	18					15	14					10	9			6				3		
72		70							63	62			59		57	56	55		53																																																																			
52	51							46	44		42	40	39		37	36		34	33																																																																			
73			32		30				26	25			22	21			19	18																																																																				
			15	14					10	9			6				3																																																																					
AVAILABLE	NOT APPLICABLE	34566-3173	0	A	BLACK	<table border="1"> <tr><td></td><td></td><td>70</td><td>69</td><td></td><td></td><td></td><td></td><td></td><td>63</td><td></td><td></td><td></td><td></td><td></td><td>58</td><td></td><td>56</td><td></td><td>54</td></tr> <tr><td>52</td><td>51</td><td></td><td>49</td><td></td><td></td><td></td><td></td><td>47</td><td></td><td>44</td><td>43</td><td>42</td><td>41</td><td></td><td></td><td></td><td>36</td><td></td><td>34</td></tr> <tr><td colspan="2">73</td><td></td><td>32</td><td></td><td></td><td></td><td></td><td>28</td><td></td><td>26</td><td></td><td></td><td></td><td></td><td></td><td></td><td>19</td><td>18</td><td>17</td></tr> <tr><td colspan="2"></td><td></td><td>16</td><td></td><td></td><td></td><td></td><td>12</td><td></td><td>10</td><td></td><td></td><td></td><td></td><td></td><td></td><td>3</td><td>2</td><td>1</td></tr> </table>			70	69						63						58		56		54	52	51		49					47		44	43	42	41				36		34	73			32					28		26							19	18	17				16					12		10							3	2	1
		70	69						63						58		56		54																																																																			
52	51		49					47		44	43	42	41				36		34																																																																			
73			32					28		26							19	18	17																																																																			
			16					12		10							3	2	1																																																																			
AVAILABLE	NOT APPLICABLE	34566-3183	0	C	BLUE	<table border="1"> <tr><td>72</td><td></td><td>70</td><td></td><td></td><td></td><td></td><td></td><td></td><td>66</td><td></td><td>63</td><td>62</td><td></td><td>59</td><td></td><td>57</td><td>56</td><td>55</td><td>53</td></tr> <tr><td>52</td><td>51</td><td></td><td></td><td></td><td></td><td></td><td></td><td>46</td><td>44</td><td></td><td>42</td><td>40</td><td>39</td><td></td><td></td><td></td><td></td><td></td><td>34</td></tr> <tr><td colspan="2">73</td><td></td><td></td><td></td><td>30</td><td></td><td></td><td></td><td>26</td><td>25</td><td></td><td></td><td>22</td><td>21</td><td></td><td></td><td></td><td></td><td></td></tr> <tr><td colspan="2"></td><td></td><td>15</td><td>14</td><td></td><td></td><td></td><td></td><td>10</td><td>9</td><td></td><td></td><td>6</td><td></td><td></td><td></td><td></td><td></td><td></td></tr> </table>	72		70							66		63	62		59		57	56	55	53	52	51							46	44		42	40	39						34	73					30				26	25			22	21									15	14					10	9			6						
72		70							66		63	62		59		57	56	55	53																																																																			
52	51							46	44		42	40	39						34																																																																			
73					30				26	25			22	21																																																																								
			15	14					10	9			6																																																																									
AVAILABLE	NOT APPLICABLE	34566-3193	0	A	BLACK	<table border="1"> <tr><td></td><td></td><td></td><td>69</td><td></td><td></td><td></td><td></td><td></td><td>63</td><td></td><td></td><td></td><td></td><td></td><td>58</td><td></td><td>56</td><td>55</td><td>54</td></tr> <tr><td>52</td><td>51</td><td></td><td>49</td><td></td><td></td><td></td><td></td><td></td><td>44</td><td>43</td><td>42</td><td>41</td><td></td><td></td><td></td><td></td><td>36</td><td>35</td><td>34</td></tr> <tr><td colspan="2">73</td><td></td><td>32</td><td></td><td></td><td></td><td></td><td>28</td><td></td><td>26</td><td></td><td></td><td></td><td></td><td></td><td></td><td>19</td><td>18</td><td>17</td></tr> <tr><td colspan="2"></td><td></td><td>16</td><td></td><td></td><td></td><td></td><td>12</td><td></td><td>10</td><td></td><td></td><td></td><td></td><td></td><td></td><td>3</td><td>2</td><td>1</td></tr> </table>				69						63						58		56	55	54	52	51		49						44	43	42	41					36	35	34	73			32					28		26							19	18	17				16					12		10							3	2	1
			69						63						58		56	55	54																																																																			
52	51		49						44	43	42	41					36	35	34																																																																			
73			32					28		26							19	18	17																																																																			
			16					12		10							3	2	1																																																																			
AVAILABLE	NOT APPLICABLE	34566-3213	0	C	BLUE	<table border="1"> <tr><td>72</td><td></td><td>70</td><td></td><td></td><td></td><td></td><td></td><td></td><td>67</td><td>66</td><td></td><td>63</td><td>62</td><td></td><td>59</td><td></td><td>56</td><td></td><td>53</td></tr> <tr><td>52</td><td>51</td><td></td><td></td><td></td><td></td><td></td><td></td><td>46</td><td>44</td><td></td><td>42</td><td>40</td><td></td><td></td><td></td><td></td><td></td><td></td><td>34</td></tr> <tr><td colspan="2">73</td><td></td><td>32</td><td></td><td>30</td><td></td><td></td><td></td><td>26</td><td>25</td><td></td><td></td><td>22</td><td>21</td><td></td><td></td><td></td><td></td><td></td></tr> <tr><td colspan="2"></td><td></td><td>15</td><td>14</td><td></td><td></td><td></td><td></td><td>10</td><td>9</td><td></td><td></td><td>6</td><td>5</td><td>4</td><td></td><td></td><td></td><td></td></tr> </table>	72		70							67	66		63	62		59		56		53	52	51							46	44		42	40							34	73			32		30				26	25			22	21									15	14					10	9			6	5	4				
72		70							67	66		63	62		59		56		53																																																																			
52	51							46	44		42	40							34																																																																			
73			32		30				26	25			22	21																																																																								
			15	14					10	9			6	5	4																																																																							
AVAILABLE	NOT APPLICABLE	34566-3223	0	C	BLUE	<table border="1"> <tr><td>72</td><td></td><td>70</td><td></td><td></td><td></td><td></td><td></td><td></td><td>67</td><td>66</td><td></td><td>63</td><td>62</td><td></td><td>59</td><td></td><td>57</td><td></td><td>53</td></tr> <tr><td>52</td><td>51</td><td></td><td></td><td></td><td></td><td></td><td></td><td>46</td><td>44</td><td></td><td>42</td><td>40</td><td>39</td><td></td><td></td><td></td><td></td><td></td><td>34</td></tr> <tr><td colspan="2">73</td><td></td><td>32</td><td></td><td>30</td><td></td><td></td><td></td><td>27</td><td>26</td><td>25</td><td></td><td>22</td><td>21</td><td></td><td></td><td></td><td></td><td></td></tr> <tr><td colspan="2"></td><td></td><td>15</td><td>14</td><td></td><td></td><td></td><td></td><td>10</td><td>9</td><td></td><td></td><td>6</td><td>5</td><td>4</td><td></td><td></td><td></td><td></td></tr> </table>	72		70							67	66		63	62		59		57		53	52	51							46	44		42	40	39						34	73			32		30				27	26	25		22	21									15	14					10	9			6	5	4				
72		70							67	66		63	62		59		57		53																																																																			
52	51							46	44		42	40	39						34																																																																			
73			32		30				27	26	25		22	21																																																																								
			15	14					10	9			6	5	4																																																																							
AVAILABLE	NOT APPLICABLE	34566-3233	0	A	BLACK	<table border="1"> <tr><td></td><td></td><td>70</td><td>69</td><td></td><td></td><td></td><td></td><td></td><td>63</td><td>62</td><td>61</td><td></td><td></td><td></td><td>58</td><td>57</td><td>56</td><td>55</td><td>54</td></tr> <tr><td>52</td><td>51</td><td></td><td>49</td><td></td><td></td><td></td><td></td><td></td><td>44</td><td>43</td><td>42</td><td>41</td><td></td><td></td><td></td><td>37</td><td>36</td><td></td><td>34</td></tr> <tr><td colspan="2">73</td><td></td><td>32</td><td></td><td></td><td></td><td></td><td>29</td><td>28</td><td>27</td><td>26</td><td></td><td></td><td></td><td></td><td></td><td></td><td>19</td><td>18</td></tr> <tr><td colspan="2"></td><td></td><td>16</td><td>15</td><td></td><td>13</td><td>12</td><td>11</td><td>10</td><td></td><td></td><td></td><td></td><td></td><td></td><td></td><td></td><td>3</td><td></td></tr> </table>			70	69						63	62	61				58	57	56	55	54	52	51		49						44	43	42	41				37	36		34	73			32					29	28	27	26							19	18				16	15		13	12	11	10									3	
		70	69						63	62	61				58	57	56	55	54																																																																			
52	51		49						44	43	42	41				37	36		34																																																																			
73			32					29	28	27	26							19	18																																																																			
			16	15		13	12	11	10									3																																																																				
AVAILABLE	NOT APPLICABLE	34566-3243	0	C	BLUE	<table border="1"> <tr><td>72</td><td></td><td>70</td><td></td><td></td><td></td><td></td><td></td><td></td><td>66</td><td></td><td>63</td><td>62</td><td></td><td>59</td><td></td><td>57</td><td></td><td></td><td>53</td></tr> <tr><td>52</td><td>51</td><td></td><td></td><td></td><td></td><td></td><td></td><td>46</td><td>44</td><td></td><td>42</td><td>40</td><td>39</td><td></td><td></td><td></td><td></td><td></td><td>34</td></tr> <tr><td colspan="2">73</td><td></td><td>32</td><td></td><td>30</td><td></td><td></td><td></td><td>26</td><td>25</td><td></td><td></td><td>22</td><td>21</td><td></td><td></td><td></td><td></td><td></td></tr> <tr><td colspan="2"></td><td></td><td>15</td><td>14</td><td></td><td></td><td></td><td></td><td>10</td><td>9</td><td></td><td></td><td>6</td><td>5</td><td>4</td><td></td><td></td><td></td><td></td></tr> </table>	72		70							66		63	62		59		57			53	52	51							46	44		42	40	39						34	73			32		30				26	25			22	21									15	14					10	9			6	5	4				
72		70							66		63	62		59		57			53																																																																			
52	51							46	44		42	40	39						34																																																																			
73			32		30				26	25			22	21																																																																								
			15	14					10	9			6	5	4																																																																							

QUALITY SYMBOLS ▽ = 0 ▽ = 0 ▽ = 0 ▽ = 0 ▽ = 0 ▽ = 0 ▽ = 0 ▽ = 0 ▽ = 0 ▽ = 0	THIS DRAWING CONTAINS INFORMATION THAT IS PROPRIETARY TO MOLEX ELECTRONIC TECHNOLOGIES, LLC AND SHOULD NOT BE USED WITHOUT WRITTEN PERMISSION												
	2017/03/27	2017/03/30	GENERAL TOLERANCES (UNLESS SPECIFIED)		DIMENSION UNITS	SCALE	 MX123 66/73/80CKT HRNS CONN ASSY						
	DRWN: TYE	CHKD: JDENG02	ANGULAR TOL ± °		MM	1:1							
	EC NO: 115012 G49	REV: APPR: JDENG02	4 PLACES ±	SKRAJENDRANA	2011/02/14	DRAWN BY		DATE		SERIES: 34566 MATERIAL NUMBER: SEE BOM TABLE CUSTOMER: GENERAL MARKET			
			3 PLACES ±	CHKD BY	DATE	SKRAJENDRANA		2011/02/14					
			2 PLACES ±	APPDR BY	DATE	MVANSLAMBROU		2011/02/14					
			1 PLACE ±	DRAWING SIZE		THIRD ANGLE PROJECTION		D					
			0 PLACES ±	DRAFT WHERE APPLICABLE MUST REMAIN WITHIN DIMENSIONS								DOCUMENT NUMBER: SD-34566-001 DOC TYPE: PSD DOC PART: 000 SHEET NUMBER: 38 OF 92	

STATUS	GM PART #	MATERIAL #	WIRE DRESS OPTION	KEY OPTION	COLOR (TPA)	NUMBERS INDICATE CAVITIES OPEN FOR CIRCUITS																																																																																																				
AVAILABLE	NOT APPLICABLE	34566-3253	0	A	BLACK	<table border="1"> <tr><td></td><td></td><td>70</td><td>69</td><td></td><td></td><td></td><td></td><td></td><td></td><td>63</td><td></td><td></td><td></td><td></td><td>58</td><td></td><td>56</td><td>55</td><td>54</td><td>53</td></tr> <tr><td>52</td><td>51</td><td></td><td>49</td><td></td><td></td><td></td><td></td><td></td><td>44</td><td>43</td><td>42</td><td>41</td><td></td><td></td><td></td><td></td><td>36</td><td></td><td>34</td><td></td></tr> <tr><td colspan="2">73</td><td></td><td></td><td></td><td></td><td>32</td><td></td><td></td><td>28</td><td></td><td>26</td><td></td><td></td><td></td><td></td><td></td><td></td><td>19</td><td>18</td><td></td></tr> <tr><td></td><td></td><td></td><td></td><td></td><td></td><td>16</td><td>15</td><td></td><td></td><td>12</td><td></td><td>10</td><td></td><td></td><td></td><td></td><td></td><td>3</td><td></td><td></td></tr> </table>			70	69							63					58		56	55	54	53	52	51		49						44	43	42	41					36		34		73						32			28		26							19	18								16	15			12		10						3																		
		70	69							63					58		56	55	54	53																																																																																						
52	51		49						44	43	42	41					36		34																																																																																							
73						32			28		26							19	18																																																																																							
						16	15			12		10						3																																																																																								
AVAILABLE	NOT APPLICABLE	34566-3263	0	C	BLUE	<table border="1"> <tr><td>72</td><td></td><td>70</td><td></td><td></td><td></td><td></td><td></td><td></td><td>66</td><td></td><td></td><td>63</td><td>62</td><td></td><td></td><td>59</td><td></td><td>57</td><td>56</td><td>55</td><td></td><td>53</td></tr> <tr><td>52</td><td>51</td><td></td><td></td><td></td><td></td><td></td><td></td><td></td><td>46</td><td></td><td>44</td><td></td><td>42</td><td></td><td>40</td><td>39</td><td></td><td></td><td></td><td></td><td>34</td><td>33</td></tr> <tr><td colspan="2">73</td><td></td><td></td><td></td><td></td><td>32</td><td></td><td></td><td>30</td><td></td><td></td><td></td><td>26</td><td>25</td><td></td><td></td><td>22</td><td>21</td><td></td><td></td><td>19</td><td>18</td></tr> <tr><td></td><td></td><td></td><td></td><td></td><td></td><td></td><td>15</td><td>14</td><td></td><td></td><td></td><td></td><td>10</td><td>9</td><td></td><td></td><td>6</td><td>5</td><td>4</td><td>3</td><td></td><td></td></tr> </table>	72		70							66			63	62			59		57	56	55		53	52	51								46		44		42		40	39					34	33	73						32			30				26	25			22	21			19	18								15	14					10	9			6	5	4	3										
72		70							66			63	62			59		57	56	55		53																																																																																				
52	51								46		44		42		40	39					34	33																																																																																				
73						32			30				26	25			22	21			19	18																																																																																				
							15	14					10	9			6	5	4	3																																																																																						
AVAILABLE	NOT APPLICABLE	34566-3273	0	A	BLACK	<table border="1"> <tr><td></td><td></td><td>70</td><td>69</td><td></td><td></td><td></td><td></td><td></td><td></td><td></td><td></td><td>63</td><td></td><td></td><td></td><td></td><td></td><td></td><td>58</td><td></td><td>56</td><td>55</td><td>54</td><td>53</td></tr> <tr><td>52</td><td>51</td><td></td><td>49</td><td></td><td></td><td></td><td></td><td></td><td></td><td>44</td><td>43</td><td>42</td><td>41</td><td></td><td></td><td></td><td></td><td></td><td></td><td>36</td><td></td><td>34</td><td></td><td></td></tr> <tr><td colspan="2">73</td><td></td><td></td><td></td><td></td><td>32</td><td></td><td></td><td></td><td>28</td><td></td><td>26</td><td></td><td></td><td></td><td></td><td></td><td></td><td></td><td></td><td>19</td><td>18</td><td>17</td><td></td></tr> <tr><td></td><td></td><td></td><td></td><td></td><td></td><td>16</td><td>15</td><td></td><td></td><td></td><td>12</td><td></td><td>10</td><td></td><td></td><td></td><td></td><td></td><td></td><td></td><td>3</td><td>2</td><td>1</td><td></td></tr> </table>			70	69									63							58		56	55	54	53	52	51		49							44	43	42	41							36		34			73						32				28		26									19	18	17								16	15				12		10								3	2	1	
		70	69									63							58		56	55	54	53																																																																																		
52	51		49							44	43	42	41							36		34																																																																																				
73						32				28		26									19	18	17																																																																																			
						16	15				12		10								3	2	1																																																																																			
AVAILABLE	NOT APPLICABLE	34566-3283	0	C	BLUE	<table border="1"> <tr><td>72</td><td></td><td>70</td><td></td><td></td><td></td><td></td><td></td><td></td><td>67</td><td>66</td><td></td><td></td><td>63</td><td>62</td><td></td><td></td><td>59</td><td></td><td>57</td><td></td><td></td><td></td><td>53</td></tr> <tr><td>52</td><td>51</td><td></td><td></td><td></td><td></td><td></td><td></td><td></td><td>46</td><td></td><td>44</td><td></td><td>42</td><td></td><td>40</td><td>39</td><td></td><td></td><td></td><td></td><td></td><td>34</td><td>33</td></tr> <tr><td colspan="2">73</td><td></td><td></td><td></td><td></td><td></td><td></td><td></td><td>30</td><td></td><td></td><td></td><td>26</td><td>25</td><td></td><td></td><td>22</td><td>21</td><td></td><td></td><td></td><td></td><td></td></tr> <tr><td></td><td></td><td></td><td></td><td></td><td></td><td></td><td>15</td><td>14</td><td></td><td></td><td></td><td></td><td>10</td><td>9</td><td></td><td></td><td>6</td><td>5</td><td>4</td><td></td><td></td><td></td><td></td></tr> </table>	72		70							67	66			63	62			59		57				53	52	51								46		44		42		40	39						34	33	73									30				26	25			22	21													15	14					10	9			6	5	4								
72		70							67	66			63	62			59		57				53																																																																																			
52	51								46		44		42		40	39						34	33																																																																																			
73									30				26	25			22	21																																																																																								
							15	14					10	9			6	5	4																																																																																							
AVAILABLE	NOT APPLICABLE	34566-3293	0	B	ST GRY	<table border="1"> <tr><td>72</td><td>71</td><td>70</td><td></td><td></td><td></td><td>68</td><td>67</td><td>66</td><td></td><td></td><td></td><td></td><td>62</td><td>61</td><td>60</td><td>59</td><td>58</td><td>57</td><td>56</td><td>55</td><td>54</td><td>53</td></tr> <tr><td>52</td><td>51</td><td>50</td><td></td><td></td><td></td><td>48</td><td>47</td><td></td><td></td><td></td><td></td><td></td><td>42</td><td>41</td><td>40</td><td>39</td><td>38</td><td>37</td><td>36</td><td>35</td><td>34</td><td>33</td></tr> <tr><td colspan="2">73</td><td></td><td></td><td></td><td></td><td>32</td><td>31</td><td>30</td><td>29</td><td>28</td><td>27</td><td></td><td>26</td><td>25</td><td>24</td><td>23</td><td></td><td></td><td></td><td></td><td></td><td></td><td></td></tr> <tr><td></td><td></td><td></td><td></td><td></td><td></td><td>16</td><td>15</td><td>14</td><td>13</td><td></td><td></td><td></td><td>10</td><td>9</td><td>8</td><td></td><td></td><td></td><td></td><td></td><td></td><td></td><td></td></tr> </table>	72	71	70				68	67	66					62	61	60	59	58	57	56	55	54	53	52	51	50				48	47						42	41	40	39	38	37	36	35	34	33	73						32	31	30	29	28	27		26	25	24	23														16	15	14	13				10	9	8														
72	71	70				68	67	66					62	61	60	59	58	57	56	55	54	53																																																																																				
52	51	50				48	47						42	41	40	39	38	37	36	35	34	33																																																																																				
73						32	31	30	29	28	27		26	25	24	23																																																																																										
						16	15	14	13				10	9	8																																																																																											
AVAILABLE	NOT APPLICABLE	34566-3313	0	C	BLUE	<table border="1"> <tr><td>72</td><td></td><td>70</td><td></td><td></td><td></td><td></td><td></td><td></td><td></td><td></td><td></td><td></td><td>63</td><td>62</td><td></td><td></td><td>59</td><td></td><td>57</td><td></td><td></td><td></td><td>53</td></tr> <tr><td>52</td><td>51</td><td></td><td></td><td></td><td></td><td></td><td></td><td></td><td>46</td><td></td><td>44</td><td></td><td>42</td><td></td><td>40</td><td>39</td><td></td><td></td><td></td><td></td><td></td><td>34</td><td>33</td></tr> <tr><td colspan="2">73</td><td></td><td></td><td></td><td></td><td>32</td><td></td><td></td><td>30</td><td></td><td></td><td></td><td>26</td><td>25</td><td></td><td></td><td>22</td><td>21</td><td></td><td></td><td></td><td></td><td></td></tr> <tr><td></td><td></td><td></td><td></td><td></td><td></td><td></td><td>15</td><td>14</td><td></td><td></td><td></td><td></td><td></td><td></td><td></td><td></td><td>6</td><td>5</td><td>4</td><td></td><td></td><td></td><td></td></tr> </table>	72		70											63	62			59		57				53	52	51								46		44		42		40	39						34	33	73						32			30				26	25			22	21													15	14									6	5	4								
72		70											63	62			59		57				53																																																																																			
52	51								46		44		42		40	39						34	33																																																																																			
73						32			30				26	25			22	21																																																																																								
							15	14									6	5	4																																																																																							
AVAILABLE	NOT APPLICABLE	34566-3323	0	B	ST GRY	<table border="1"> <tr><td></td><td></td><td></td><td></td><td></td><td></td><td>68</td><td>67</td><td>66</td><td>65</td><td>64</td><td>63</td><td></td><td></td><td></td><td></td><td></td><td></td><td></td><td>58</td><td></td><td>55</td><td></td><td></td></tr> <tr><td></td><td></td><td></td><td>49</td><td>48</td><td></td><td>46</td><td>45</td><td>44</td><td>43</td><td></td><td></td><td></td><td></td><td></td><td></td><td></td><td></td><td></td><td>38</td><td></td><td></td><td></td><td></td></tr> <tr><td colspan="2">73</td><td></td><td></td><td></td><td></td><td>32</td><td></td><td>30</td><td>29</td><td>28</td><td>27</td><td></td><td></td><td></td><td></td><td></td><td></td><td></td><td>22</td><td></td><td></td><td></td><td>17</td></tr> <tr><td></td><td></td><td></td><td></td><td></td><td></td><td>16</td><td></td><td></td><td></td><td></td><td></td><td></td><td>10</td><td></td><td></td><td></td><td></td><td></td><td></td><td></td><td></td><td></td><td></td></tr> </table>							68	67	66	65	64	63								58		55						49	48		46	45	44	43										38					73						32		30	29	28	27								22				17							16							10														
						68	67	66	65	64	63								58		55																																																																																					
			49	48		46	45	44	43										38																																																																																							
73						32		30	29	28	27								22				17																																																																																			
						16							10																																																																																													
AVAILABLE	NOT APPLICABLE	34566-3333	0	A	BLACK	<table border="1"> <tr><td>72</td><td>71</td><td>70</td><td>69</td><td>68</td><td></td><td></td><td></td><td></td><td>65</td><td>64</td><td>63</td><td></td><td>61</td><td></td><td></td><td>59</td><td>58</td><td>57</td><td>56</td><td></td><td></td><td>54</td><td></td></tr> <tr><td>52</td><td>51</td><td>50</td><td>49</td><td></td><td>47</td><td></td><td></td><td></td><td></td><td></td><td></td><td></td><td>42</td><td>41</td><td></td><td></td><td>38</td><td>37</td><td>36</td><td></td><td></td><td>34</td><td>33</td></tr> <tr><td colspan="2">73</td><td></td><td></td><td></td><td></td><td>32</td><td>31</td><td>30</td><td>29</td><td>28</td><td>27</td><td></td><td>26</td><td></td><td>24</td><td>23</td><td></td><td></td><td></td><td>20</td><td>19</td><td>18</td><td>17</td></tr> <tr><td></td><td></td><td></td><td></td><td></td><td></td><td>16</td><td></td><td></td><td>13</td><td>12</td><td>11</td><td></td><td>10</td><td>9</td><td></td><td></td><td></td><td></td><td></td><td>3</td><td>2</td><td>1</td><td></td></tr> </table>	72	71	70	69	68					65	64	63		61			59	58	57	56			54		52	51	50	49		47								42	41			38	37	36			34	33	73						32	31	30	29	28	27		26		24	23				20	19	18	17							16			13	12	11		10	9						3	2	1					
72	71	70	69	68					65	64	63		61			59	58	57	56			54																																																																																				
52	51	50	49		47								42	41			38	37	36			34	33																																																																																			
73						32	31	30	29	28	27		26		24	23				20	19	18	17																																																																																			
						16			13	12	11		10	9						3	2	1																																																																																				

QUALITY SYMBOLS = 0 = 0 = 0 = 0 = 0 = 0 = 0 = 0 = 0	THIS DRAWING CONTAINS INFORMATION THAT IS PROPRIETARY TO MOLEX ELECTRONIC TECHNOLOGIES, LLC AND SHOULD NOT BE USED WITHOUT WRITTEN PERMISSION										
	2017/03/27	2017/03/30	GENERAL TOLERANCES (UNLESS SPECIFIED)		DIMENSION UNITS	SCALE					
	DRWN BY	DATE	MM	1:1							
	SKRAJENDRANA	2011/02/14	ANGULAR TOL ± °		DRWN BY	DATE					
	4 PLACES ±		SKRAJENDRANA	2011/02/14	CHKD BY	DATE					
	3 PLACES ±		MVANSLAMBROU	2011/02/14	APPR BY	DATE					
	2 PLACES ±										
	1 PLACE ±										
	0 PLACES ±										
	DRAFT WHERE APPLICABLE MUST REMAIN WITHIN DIMENSIONS		DRAWING SIZE	THIRD ANGLE PROJECTION							
D											

STATUS	GM PART #	MATERIAL #	PART/MATERIAL REVISION	WIRE DRESS OPTION	KEY OPTION Fp	COLOR (TPA) Fp	NUMBERS INDICATE CAVITIES OPEN FOR CIRCUITS Fp																																																																																			
AVAILABLE	NOT APPLICABLE	34566-3343	G	0	A	BLACK	<table border="1"> <tr><td>72</td><td></td><td></td><td>69</td><td>67</td><td>66</td><td>65</td><td>63</td><td></td><td></td><td>60</td><td></td><td></td><td>57</td><td>56</td><td></td><td></td><td>53</td></tr> <tr><td></td><td></td><td></td><td>49</td><td>47</td><td></td><td></td><td>44</td><td>43</td><td>42</td><td>40</td><td></td><td></td><td>37</td><td>36</td><td>35</td><td></td><td>33</td></tr> <tr><td colspan="3">73</td><td></td><td>31</td><td>30</td><td>29</td><td>28</td><td></td><td>26</td><td>24</td><td></td><td></td><td>21</td><td>20</td><td></td><td></td><td>17</td></tr> <tr><td></td><td></td><td></td><td>16</td><td>15</td><td>14</td><td>13</td><td></td><td>11</td><td>10</td><td></td><td></td><td></td><td>5</td><td>4</td><td>3</td><td>2</td><td>1</td></tr> </table>	72			69	67	66	65	63			60			57	56			53				49	47			44	43	42	40			37	36	35		33	73				31	30	29	28		26	24			21	20			17				16	15	14	13		11	10				5	4	3	2	1											
72			69	67	66	65	63			60			57	56			53																																																																									
			49	47			44	43	42	40			37	36	35		33																																																																									
73				31	30	29	28		26	24			21	20			17																																																																									
			16	15	14	13		11	10				5	4	3	2	1																																																																									
AVAILABLE	NOT APPLICABLE	34566-3353	G	0	B	ST GRY	<table border="1"> <tr><td></td><td></td><td></td><td></td><td>68</td><td>67</td><td></td><td></td><td>64</td><td></td><td></td><td></td><td></td><td>59</td><td>58</td><td></td><td></td><td>54</td></tr> <tr><td></td><td></td><td></td><td></td><td></td><td></td><td>46</td><td>45</td><td></td><td></td><td></td><td></td><td></td><td>39</td><td>38</td><td></td><td></td><td></td></tr> <tr><td colspan="3">73</td><td></td><td>32</td><td>30</td><td>29</td><td>28</td><td>27</td><td></td><td></td><td></td><td></td><td>23</td><td>22</td><td></td><td></td><td>17</td></tr> <tr><td></td><td></td><td></td><td></td><td></td><td></td><td></td><td>12</td><td>10</td><td></td><td>8</td><td></td><td></td><td></td><td></td><td></td><td></td><td>1</td></tr> </table>					68	67			64					59	58			54							46	45						39	38				73				32	30	29	28	27					23	22			17								12	10		8							1											
				68	67			64					59	58			54																																																																									
						46	45						39	38																																																																												
73				32	30	29	28	27					23	22			17																																																																									
							12	10		8							1																																																																									
AVAILABLE	NOT APPLICABLE	34566-3363	G	0	A	BLACK	<table border="1"> <tr><td></td><td>71</td><td></td><td>69</td><td>68</td><td></td><td></td><td>65</td><td>64</td><td>63</td><td></td><td>61</td><td></td><td>59</td><td></td><td>57</td><td>56</td><td></td><td>54</td></tr> <tr><td>52</td><td></td><td>50</td><td>49</td><td></td><td>47</td><td></td><td></td><td></td><td></td><td>42</td><td>41</td><td>40</td><td>39</td><td>38</td><td>37</td><td>36</td><td></td><td>34</td><td>33</td></tr> <tr><td colspan="3">73</td><td></td><td>32</td><td>31</td><td>30</td><td>29</td><td>28</td><td>27</td><td>26</td><td></td><td>24</td><td>23</td><td>22</td><td></td><td>20</td><td>19</td><td>18</td><td></td></tr> <tr><td></td><td></td><td></td><td>16</td><td></td><td></td><td></td><td>13</td><td>12</td><td>11</td><td>10</td><td>9</td><td></td><td></td><td></td><td></td><td></td><td></td><td></td><td>1</td></tr> </table>		71		69	68			65	64	63		61		59		57	56		54	52		50	49		47					42	41	40	39	38	37	36		34	33	73				32	31	30	29	28	27	26		24	23	22		20	19	18					16				13	12	11	10	9								1				
	71		69	68			65	64	63		61		59		57	56		54																																																																								
52		50	49		47					42	41	40	39	38	37	36		34	33																																																																							
73				32	31	30	29	28	27	26		24	23	22		20	19	18																																																																								
			16				13	12	11	10	9								1																																																																							
AVAILABLE	NOT APPLICABLE	34566-3373	G	9	C	BLUE	<table border="1"> <tr><td>72</td><td></td><td>70</td><td></td><td>68</td><td>67</td><td>66</td><td></td><td></td><td>63</td><td>62</td><td></td><td></td><td>59</td><td></td><td>57</td><td>56</td><td>55</td><td></td><td>53</td></tr> <tr><td>52</td><td>51</td><td></td><td></td><td>48</td><td>47</td><td>46</td><td></td><td>44</td><td></td><td>42</td><td></td><td>40</td><td>39</td><td>38</td><td></td><td></td><td></td><td></td><td>34</td><td>33</td></tr> <tr><td colspan="3">73</td><td></td><td>32</td><td></td><td>30</td><td></td><td></td><td></td><td>26</td><td>25</td><td></td><td></td><td>22</td><td>21</td><td></td><td></td><td>19</td><td>18</td><td></td></tr> <tr><td></td><td></td><td></td><td></td><td>15</td><td>14</td><td></td><td></td><td></td><td></td><td>10</td><td>9</td><td></td><td></td><td>6</td><td>5</td><td>4</td><td>3</td><td></td><td></td><td></td></tr> </table>	72		70		68	67	66			63	62			59		57	56	55		53	52	51			48	47	46		44		42		40	39	38					34	33	73				32		30				26	25			22	21			19	18						15	14					10	9			6	5	4	3			
72		70		68	67	66			63	62			59		57	56	55		53																																																																							
52	51			48	47	46		44		42		40	39	38					34	33																																																																						
73				32		30				26	25			22	21			19	18																																																																							
				15	14					10	9			6	5	4	3																																																																									
AVAILABLE	NOT APPLICABLE	34566-3383	G	0	A	BLACK	<table border="1"> <tr><td></td><td></td><td>70</td><td>69</td><td>68</td><td></td><td></td><td>65</td><td>64</td><td>63</td><td></td><td>61</td><td></td><td>59</td><td>58</td><td>57</td><td>56</td><td></td><td>54</td><td></td></tr> <tr><td>52</td><td></td><td>50</td><td>49</td><td>48</td><td>47</td><td></td><td></td><td></td><td></td><td>42</td><td>41</td><td></td><td></td><td>38</td><td>37</td><td>36</td><td></td><td>34</td><td>33</td></tr> <tr><td colspan="3">73</td><td></td><td>32</td><td>31</td><td>30</td><td>29</td><td>28</td><td>27</td><td>26</td><td></td><td>24</td><td>23</td><td></td><td></td><td>20</td><td>19</td><td>18</td><td></td></tr> <tr><td></td><td></td><td></td><td></td><td>16</td><td></td><td></td><td></td><td>13</td><td>12</td><td>11</td><td>10</td><td>9</td><td></td><td></td><td></td><td></td><td></td><td></td><td>1</td></tr> </table>			70	69	68			65	64	63		61		59	58	57	56		54		52		50	49	48	47					42	41			38	37	36		34	33	73				32	31	30	29	28	27	26		24	23			20	19	18						16				13	12	11	10	9							1			
		70	69	68			65	64	63		61		59	58	57	56		54																																																																								
52		50	49	48	47					42	41			38	37	36		34	33																																																																							
73				32	31	30	29	28	27	26		24	23			20	19	18																																																																								
				16				13	12	11	10	9							1																																																																							
AVAILABLE	NOT APPLICABLE	34566-3393	G	0	C	BLUE	<table border="1"> <tr><td>72</td><td></td><td>70</td><td></td><td>68</td><td>67</td><td>66</td><td></td><td></td><td>63</td><td>62</td><td></td><td></td><td>59</td><td></td><td>57</td><td></td><td></td><td></td><td>53</td></tr> <tr><td>52</td><td>51</td><td></td><td></td><td>48</td><td>47</td><td>46</td><td></td><td>44</td><td></td><td>42</td><td></td><td>40</td><td>39</td><td></td><td></td><td></td><td></td><td></td><td>34</td><td>33</td></tr> <tr><td colspan="3">73</td><td></td><td>32</td><td></td><td>30</td><td></td><td></td><td></td><td>26</td><td>25</td><td></td><td></td><td>22</td><td>21</td><td></td><td></td><td></td><td></td><td></td></tr> <tr><td></td><td></td><td></td><td></td><td>15</td><td>14</td><td></td><td></td><td></td><td></td><td>10</td><td>9</td><td></td><td></td><td>6</td><td>5</td><td>4</td><td></td><td></td><td></td><td></td></tr> </table>	72		70		68	67	66			63	62			59		57				53	52	51			48	47	46		44		42		40	39						34	33	73				32		30				26	25			22	21										15	14					10	9			6	5	4				
72		70		68	67	66			63	62			59		57				53																																																																							
52	51			48	47	46		44		42		40	39						34	33																																																																						
73				32		30				26	25			22	21																																																																											
				15	14					10	9			6	5	4																																																																										
AVAILABLE	NOT APPLICABLE	34566-3413	G	0	A	BLACK	<table border="1"> <tr><td>72</td><td></td><td>70</td><td></td><td></td><td>67</td><td>66</td><td>65</td><td></td><td></td><td></td><td>61</td><td></td><td></td><td>58</td><td>57</td><td></td><td>55</td><td>54</td><td></td></tr> <tr><td></td><td></td><td>50</td><td>49</td><td></td><td>47</td><td></td><td>45</td><td>44</td><td>43</td><td>42</td><td>41</td><td></td><td>39</td><td></td><td>37</td><td></td><td>35</td><td></td><td>34</td><td>33</td></tr> <tr><td colspan="3">73</td><td></td><td>32</td><td></td><td>30</td><td></td><td></td><td>27</td><td>26</td><td>25</td><td>24</td><td></td><td></td><td>21</td><td>20</td><td>19</td><td>18</td><td>17</td><td></td></tr> <tr><td></td><td></td><td></td><td></td><td>16</td><td>15</td><td></td><td>13</td><td></td><td>11</td><td>10</td><td>9</td><td>8</td><td></td><td>6</td><td>5</td><td></td><td>3</td><td>2</td><td>1</td><td></td></tr> </table>	72		70			67	66	65				61			58	57		55	54				50	49		47		45	44	43	42	41		39		37		35		34	33	73				32		30			27	26	25	24			21	20	19	18	17						16	15		13		11	10	9	8		6	5		3	2	1	
72		70			67	66	65				61			58	57		55	54																																																																								
		50	49		47		45	44	43	42	41		39		37		35		34	33																																																																						
73				32		30			27	26	25	24			21	20	19	18	17																																																																							
				16	15		13		11	10	9	8		6	5		3	2	1																																																																							
AVAILABLE	NOT APPLICABLE	34566-3423	G	9	C	BLUE	<table border="1"> <tr><td></td><td></td><td></td><td>69</td><td></td><td></td><td></td><td></td><td></td><td>63</td><td></td><td></td><td></td><td>58</td><td></td><td>56</td><td>55</td><td>54</td><td>53</td><td></td></tr> <tr><td>52</td><td>51</td><td></td><td>49</td><td></td><td></td><td></td><td></td><td>44</td><td>43</td><td>42</td><td>41</td><td></td><td></td><td></td><td>36</td><td>35</td><td>34</td><td>33</td><td></td></tr> <tr><td colspan="3">73</td><td></td><td>32</td><td></td><td></td><td></td><td>28</td><td>26</td><td></td><td></td><td></td><td></td><td></td><td></td><td>19</td><td>18</td><td>17</td><td></td></tr> <tr><td></td><td></td><td></td><td></td><td>16</td><td></td><td></td><td></td><td>12</td><td>10</td><td></td><td></td><td></td><td></td><td></td><td></td><td>3</td><td>2</td><td>1</td><td></td></tr> </table>				69						63				58		56	55	54	53		52	51		49					44	43	42	41				36	35	34	33		73				32				28	26							19	18	17						16				12	10							3	2	1				
			69						63				58		56	55	54	53																																																																								
52	51		49					44	43	42	41				36	35	34	33																																																																								
73				32				28	26							19	18	17																																																																								
				16				12	10							3	2	1																																																																								

QUALITY SYMBOLS = 0 = 0 = 0 = 0 = 0 = 0 = 0 = 0 = 0	THIS DRAWING CONTAINS INFORMATION THAT IS PROPRIETARY TO MOLEX ELECTRONIC TECHNOLOGIES, LLC AND SHOULD NOT BE USED WITHOUT WRITTEN PERMISSION		GENERAL TOLERANCES (UNLESS SPECIFIED) DIMENSION UNITS: MM SCALE: 1:1		
	DRWN BY: 2017/03/27 CHKD BY: 2017/03/30 APPR: JDENG02	EC NO: 115012 DRWN: TYE CHKD: JDENG02 REV: G49	ANGULAR TOL ± ° 4 PLACES ± 3 PLACES ± 2 PLACES ± 1 PLACE ± 0 PLACES ±	DRWN BY: SKRAJENDRANA DATE: 2011/02/14 CHKD BY: MVANSLAMBROU DATE: 2011/02/14 APPR BY: _____ DATE: _____	
DRAFT WHERE APPLICABLE MUST REMAIN WITHIN DIMENSIONS		DRAWING SIZE: D	THIRD ANGLE PROJECTION	PRODUCT CUSTOMER DRAWING MX123 66/73/80CKT HRNS CONN ASSY	
DOCUMENT NUMBER: SD-34566-001		DOC TYPE: PSD	DOC PART: 000	SHEET NUMBER: 40 OF 92	

STATUS	GM PART #	MATERIAL #	PART/MATERIAL REVISION	WIRE DRESS OPTION	KEY OPTION	COLOR (TPA)	NUMBERS INDICATE CAVITIES OPEN FOR CIRCUITS																																																																																				
AVAILABLE	NOT APPLICABLE	34566-3433	G	9	C	BLUE	<table border="1"> <tr><td>72</td><td>70</td><td></td><td></td><td>66</td><td></td><td>63</td><td>62</td><td></td><td>59</td><td></td><td>57</td><td>56</td><td>55</td><td></td><td>53</td></tr> <tr><td>52</td><td>51</td><td></td><td></td><td>46</td><td></td><td>44</td><td>42</td><td></td><td>40</td><td>39</td><td></td><td></td><td></td><td>34</td><td>33</td></tr> <tr><td colspan="2">73</td><td></td><td></td><td>30</td><td></td><td></td><td>26</td><td>25</td><td></td><td></td><td>22</td><td>21</td><td></td><td></td><td></td></tr> <tr><td></td><td></td><td></td><td></td><td>15</td><td>14</td><td></td><td></td><td>10</td><td>9</td><td></td><td>6</td><td></td><td></td><td></td><td></td></tr> </table>	72	70			66		63	62		59		57	56	55		53	52	51			46		44	42		40	39				34	33	73				30			26	25			22	21								15	14			10	9		6																								
72	70			66		63	62		59		57	56	55		53																																																																												
52	51			46		44	42		40	39				34	33																																																																												
73				30			26	25			22	21																																																																															
				15	14			10	9		6																																																																																
AVAILABLE	NOT APPLICABLE	34566-3443	G	0	A	BLACK	<table border="1"> <tr><td></td><td>71</td><td></td><td>69</td><td></td><td></td><td>65</td><td>64</td><td>63</td><td></td><td>60</td><td></td><td>57</td><td>56</td><td>55</td><td>54</td><td>53</td></tr> <tr><td>52</td><td>51</td><td></td><td>49</td><td></td><td></td><td>45</td><td>44</td><td>43</td><td>42</td><td>41</td><td></td><td>37</td><td>36</td><td>35</td><td>34</td><td>33</td></tr> <tr><td colspan="2">73</td><td></td><td>32</td><td></td><td>30</td><td></td><td>28</td><td></td><td>26</td><td></td><td>23</td><td></td><td></td><td>19</td><td>18</td><td></td></tr> <tr><td></td><td></td><td></td><td>16</td><td></td><td></td><td></td><td>12</td><td></td><td>10</td><td></td><td></td><td></td><td></td><td>3</td><td></td><td></td></tr> </table>		71		69			65	64	63		60		57	56	55	54	53	52	51		49			45	44	43	42	41		37	36	35	34	33	73			32		30		28		26		23			19	18					16				12		10					3																		
	71		69			65	64	63		60		57	56	55	54	53																																																																											
52	51		49			45	44	43	42	41		37	36	35	34	33																																																																											
73			32		30		28		26		23			19	18																																																																												
			16				12		10					3																																																																													
AVAILABLE	NOT APPLICABLE	34566-3453	G	0	A	BLACK	<table border="1"> <tr><td></td><td></td><td></td><td></td><td></td><td></td><td></td><td></td><td></td><td>61</td><td></td><td></td><td></td><td></td><td></td><td></td><td></td></tr> <tr><td colspan="2">73</td><td></td><td></td><td></td><td></td><td></td><td></td><td></td><td>9</td><td></td><td></td><td>5</td><td></td><td></td><td></td><td>1</td></tr> </table>										61								73									9			5				1																																																		
									61																																																																																		
73									9			5				1																																																																											
AVAILABLE	NOT APPLICABLE	34566-3463	G	9	H	ST GRY	<table border="1"> <tr><td></td><td></td><td></td><td></td><td></td><td></td><td></td><td></td><td></td><td></td><td></td><td></td><td></td><td></td><td></td><td></td><td>61</td></tr> <tr><td colspan="2">73</td><td></td><td></td><td></td><td></td><td></td><td></td><td></td><td>9</td><td></td><td></td><td>5</td><td></td><td></td><td></td><td>1</td></tr> </table>																	61	73									9			5				1																																																		
																61																																																																											
73									9			5				1																																																																											
AVAILABLE	NOT APPLICABLE	34566-3473	G	9	B	ST GRY	<table border="1"> <tr><td>72</td><td>71</td><td>70</td><td>69</td><td>68</td><td>67</td><td>66</td><td>65</td><td>64</td><td></td><td>62</td><td>61</td><td>60</td><td>59</td><td>58</td><td>57</td><td>56</td><td>55</td><td>54</td><td></td></tr> <tr><td>52</td><td>51</td><td>50</td><td>49</td><td></td><td></td><td>46</td><td></td><td>44</td><td></td><td></td><td>40</td><td></td><td>38</td><td>37</td><td>36</td><td></td><td></td><td></td><td></td></tr> <tr><td colspan="2">73</td><td></td><td>32</td><td>31</td><td>30</td><td>29</td><td>28</td><td>27</td><td></td><td>25</td><td>24</td><td></td><td></td><td>21</td><td>20</td><td></td><td>18</td><td>17</td><td></td></tr> <tr><td></td><td></td><td></td><td>16</td><td>15</td><td>14</td><td>13</td><td>12</td><td></td><td>10</td><td>9</td><td></td><td>7</td><td>6</td><td>5</td><td>4</td><td>3</td><td>2</td><td></td><td></td></tr> </table>	72	71	70	69	68	67	66	65	64		62	61	60	59	58	57	56	55	54		52	51	50	49			46		44			40		38	37	36					73			32	31	30	29	28	27		25	24			21	20		18	17					16	15	14	13	12		10	9		7	6	5	4	3	2						
72	71	70	69	68	67	66	65	64		62	61	60	59	58	57	56	55	54																																																																									
52	51	50	49			46		44			40		38	37	36																																																																												
73			32	31	30	29	28	27		25	24			21	20		18	17																																																																									
			16	15	14	13	12		10	9		7	6	5	4	3	2																																																																										
AVAILABLE	NOT APPLICABLE	34566-3483	G	0	B	ST GRY	<table border="1"> <tr><td>72</td><td>71</td><td>70</td><td>69</td><td>68</td><td>67</td><td>66</td><td>65</td><td></td><td></td><td>61</td><td>60</td><td></td><td></td><td>57</td><td>56</td><td>55</td><td>54</td><td></td><td></td></tr> <tr><td>52</td><td>51</td><td>50</td><td>49</td><td>48</td><td></td><td>46</td><td></td><td>44</td><td></td><td></td><td>40</td><td></td><td>38</td><td>37</td><td>36</td><td></td><td></td><td></td><td></td></tr> <tr><td colspan="2">73</td><td></td><td>32</td><td>31</td><td>30</td><td>29</td><td>28</td><td>27</td><td></td><td>24</td><td></td><td></td><td>21</td><td>20</td><td>19</td><td>18</td><td>17</td><td></td><td></td></tr> <tr><td></td><td></td><td></td><td>16</td><td>15</td><td>14</td><td>13</td><td>12</td><td>11</td><td>10</td><td>9</td><td></td><td>7</td><td>6</td><td>5</td><td>4</td><td></td><td>2</td><td></td><td></td></tr> </table>	72	71	70	69	68	67	66	65			61	60			57	56	55	54			52	51	50	49	48		46		44			40		38	37	36					73			32	31	30	29	28	27		24			21	20	19	18	17						16	15	14	13	12	11	10	9		7	6	5	4		2						
72	71	70	69	68	67	66	65			61	60			57	56	55	54																																																																										
52	51	50	49	48		46		44			40		38	37	36																																																																												
73			32	31	30	29	28	27		24			21	20	19	18	17																																																																										
			16	15	14	13	12	11	10	9		7	6	5	4		2																																																																										
AVAILABLE	NOT APPLICABLE	34566-3493	G	0	A	BLACK	<table border="1"> <tr><td>72</td><td></td><td>70</td><td></td><td>67</td><td>66</td><td>65</td><td></td><td></td><td></td><td>61</td><td></td><td></td><td>58</td><td>57</td><td></td><td>55</td><td>54</td><td></td><td></td></tr> <tr><td></td><td></td><td></td><td>49</td><td></td><td>47</td><td></td><td>45</td><td>44</td><td>43</td><td>42</td><td>41</td><td>39</td><td></td><td>37</td><td></td><td>35</td><td></td><td></td><td></td></tr> <tr><td colspan="2">73</td><td></td><td>32</td><td></td><td>30</td><td></td><td></td><td>27</td><td>26</td><td>25</td><td>24</td><td></td><td></td><td>21</td><td>20</td><td>19</td><td>18</td><td>17</td><td></td></tr> <tr><td></td><td></td><td></td><td>16</td><td>15</td><td></td><td>13</td><td></td><td>11</td><td>10</td><td>9</td><td>8</td><td></td><td>6</td><td>5</td><td></td><td>3</td><td>2</td><td>1</td><td></td></tr> </table>	72		70		67	66	65				61			58	57		55	54						49		47		45	44	43	42	41	39		37		35				73			32		30			27	26	25	24			21	20	19	18	17					16	15		13		11	10	9	8		6	5		3	2	1					
72		70		67	66	65				61			58	57		55	54																																																																										
			49		47		45	44	43	42	41	39		37		35																																																																											
73			32		30			27	26	25	24			21	20	19	18	17																																																																									
			16	15		13		11	10	9	8		6	5		3	2	1																																																																									
AVAILABLE	NOT APPLICABLE	34566-3513	G	0	A	BLACK	<table border="1"> <tr><td></td><td></td><td>70</td><td>69</td><td></td><td></td><td></td><td></td><td></td><td></td><td>63</td><td>62</td><td>61</td><td>60</td><td></td><td>58</td><td>57</td><td>56</td><td>55</td><td>54</td><td>53</td></tr> <tr><td>52</td><td>51</td><td></td><td>49</td><td></td><td></td><td></td><td></td><td>44</td><td>43</td><td>42</td><td>41</td><td></td><td></td><td></td><td>37</td><td>36</td><td></td><td></td><td>34</td><td></td></tr> <tr><td colspan="2">73</td><td></td><td>32</td><td></td><td></td><td>29</td><td>28</td><td>27</td><td>26</td><td></td><td></td><td></td><td></td><td></td><td></td><td></td><td></td><td>19</td><td>18</td><td></td></tr> <tr><td></td><td></td><td></td><td>16</td><td>15</td><td></td><td>13</td><td>12</td><td>11</td><td>10</td><td></td><td></td><td></td><td></td><td></td><td></td><td></td><td></td><td>3</td><td></td><td></td></tr> </table>			70	69							63	62	61	60		58	57	56	55	54	53	52	51		49					44	43	42	41				37	36			34		73			32			29	28	27	26									19	18					16	15		13	12	11	10									3		
		70	69							63	62	61	60		58	57	56	55	54	53																																																																							
52	51		49					44	43	42	41				37	36			34																																																																								
73			32			29	28	27	26									19	18																																																																								
			16	15		13	12	11	10									3																																																																									

QUALITY SYMBOLS 	THIS DRAWING CONTAINS INFORMATION THAT IS PROPRIETARY TO MOLEX ELECTRONIC TECHNOLOGIES, LLC AND SHOULD NOT BE USED WITHOUT WRITTEN PERMISSION										
	EC NO: 115012 DRWN: TYE CHKD: REV APPR: JDENG02	2017/03/27	2017/03/30	GENERAL TOLERANCES (UNLESS SPECIFIED)		DIMENSION UNITS	SCALE				
		4 PLACES ±		ANGULAR TOL ± °		MM	1:1				
		3 PLACES ±				DRWN BY	DATE				
		2 PLACES ±				SKRAJENDRANA	2011/02/14				
		1 PLACE ±				CHKD BY	DATE				
	0 PLACES ±				MVANSLAMBROU	2011/02/14					
	DRAFT WHERE APPLICABLE MUST REMAIN WITHIN DIMENSIONS		DRAWING SIZE		THIRD ANGLE PROJECTION		PRODUCT CUSTOMER DRAWING				
			D				SERIES: 34566 MATERIAL NUMBER: SEE BOM TABLE CUSTOMER: GENERAL MARKET				
							DOCUMENT NUMBER: SD-34566-001 DOC TYPE: PSD DOC PART: 000 SHEET NUMBER: 41 OF 92				

STATUS	GM PART #	MATERIAL #	WIRE DRESS OPTION	KEY OPTION	COLOR (TPA)	NUMBERS INDICATE CAVITIES OPEN FOR CIRCUITS																																																																																			
SALEABLE	NOT APPLICABLE	34566-3523	0	A	BLACK	<table border="1"> <tr><td>72</td><td>70</td><td></td><td></td><td>66</td><td></td><td>63</td><td>62</td><td></td><td></td><td></td><td></td><td>56</td><td>55</td><td>54</td><td></td></tr> <tr><td>52</td><td></td><td>49</td><td></td><td></td><td></td><td>43</td><td>42</td><td></td><td></td><td></td><td></td><td>36</td><td>35</td><td>34</td><td></td></tr> <tr><td colspan="2">73</td><td></td><td>31</td><td></td><td>28</td><td>26</td><td></td><td></td><td></td><td></td><td>21</td><td>20</td><td>19</td><td>18</td><td></td></tr> <tr><td colspan="2"></td><td>16</td><td>15</td><td></td><td>12</td><td>10</td><td>9</td><td></td><td></td><td></td><td>5</td><td></td><td></td><td>2</td><td>1</td></tr> </table>	72	70			66		63	62					56	55	54		52		49				43	42					36	35	34		73			31		28	26					21	20	19	18				16	15		12	10	9				5			2	1																			
72	70			66		63	62					56	55	54																																																																											
52		49				43	42					36	35	34																																																																											
73			31		28	26					21	20	19	18																																																																											
		16	15		12	10	9				5			2	1																																																																										
SALEABLE	NOT APPLICABLE	34566-3533	9	A	BLACK	<table border="1"> <tr><td></td><td></td><td>69</td><td></td><td></td><td></td><td>63</td><td></td><td></td><td></td><td>58</td><td></td><td>56</td><td>55</td><td>54</td><td>53</td></tr> <tr><td>52</td><td>51</td><td>49</td><td></td><td></td><td></td><td>44</td><td>43</td><td>42</td><td>41</td><td></td><td></td><td>36</td><td>35</td><td>34</td><td>33</td></tr> <tr><td colspan="2">73</td><td>32</td><td></td><td></td><td>28</td><td>26</td><td></td><td></td><td></td><td></td><td></td><td>19</td><td>18</td><td>17</td><td></td></tr> <tr><td colspan="2"></td><td>16</td><td></td><td></td><td>12</td><td>10</td><td></td><td></td><td></td><td></td><td></td><td>3</td><td>2</td><td>1</td><td></td></tr> </table>			69				63				58		56	55	54	53	52	51	49				44	43	42	41			36	35	34	33	73		32			28	26						19	18	17				16			12	10						3	2	1																				
		69				63				58		56	55	54	53																																																																										
52	51	49				44	43	42	41			36	35	34	33																																																																										
73		32			28	26						19	18	17																																																																											
		16			12	10						3	2	1																																																																											
AVAILABLE	NOT APPLICABLE	34566-3543	9	A	BLACK	<table border="1"> <tr><td>72</td><td>70</td><td></td><td></td><td>66</td><td></td><td>63</td><td>62</td><td></td><td></td><td>59</td><td>57</td><td>56</td><td>55</td><td>54</td><td>53</td></tr> <tr><td>52</td><td>51</td><td></td><td></td><td>46</td><td>44</td><td>42</td><td></td><td>40</td><td>39</td><td></td><td></td><td></td><td></td><td>34</td><td>33</td></tr> <tr><td colspan="2">73</td><td></td><td>30</td><td></td><td></td><td>26</td><td>25</td><td></td><td></td><td>22</td><td>21</td><td></td><td></td><td></td><td></td></tr> <tr><td colspan="2"></td><td>15</td><td>14</td><td></td><td></td><td>10</td><td>9</td><td></td><td></td><td>6</td><td></td><td></td><td></td><td></td><td></td></tr> </table>	72	70			66		63	62			59	57	56	55	54	53	52	51			46	44	42		40	39					34	33	73			30			26	25			22	21							15	14			10	9			6																								
72	70			66		63	62			59	57	56	55	54	53																																																																										
52	51			46	44	42		40	39					34	33																																																																										
73			30			26	25			22	21																																																																														
		15	14			10	9			6																																																																															
AVAILABLE	NOT APPLICABLE	34566-3553	9	C	BLUE	<table border="1"> <tr><td>72</td><td>71</td><td>70</td><td>69</td><td>68</td><td>67</td><td>66</td><td>65</td><td></td><td>63</td><td>62</td><td>61</td><td></td><td>59</td><td>58</td><td>57</td><td>56</td><td>55</td><td>54</td><td>53</td></tr> <tr><td></td><td>51</td><td>50</td><td>49</td><td>48</td><td></td><td>46</td><td>45</td><td>44</td><td>43</td><td>42</td><td>41</td><td>40</td><td>39</td><td>38</td><td></td><td>36</td><td>35</td><td>34</td><td>33</td></tr> <tr><td colspan="2">73</td><td></td><td>31</td><td>30</td><td>29</td><td>28</td><td>27</td><td>26</td><td>25</td><td></td><td></td><td>22</td><td></td><td></td><td>20</td><td>19</td><td>18</td><td>17</td><td></td></tr> <tr><td colspan="2"></td><td>16</td><td>15</td><td>14</td><td></td><td></td><td>11</td><td>10</td><td>9</td><td></td><td>7</td><td>6</td><td>5</td><td></td><td>3</td><td>2</td><td>1</td><td></td><td></td></tr> </table>	72	71	70	69	68	67	66	65		63	62	61		59	58	57	56	55	54	53		51	50	49	48		46	45	44	43	42	41	40	39	38		36	35	34	33	73			31	30	29	28	27	26	25			22			20	19	18	17				16	15	14			11	10	9		7	6	5		3	2	1					
72	71	70	69	68	67	66	65		63	62	61		59	58	57	56	55	54	53																																																																						
	51	50	49	48		46	45	44	43	42	41	40	39	38		36	35	34	33																																																																						
73			31	30	29	28	27	26	25			22			20	19	18	17																																																																							
		16	15	14			11	10	9		7	6	5		3	2	1																																																																								
AVAILABLE	NOT APPLICABLE	34566-3563	9	C	BLUE	<table border="1"> <tr><td>72</td><td>70</td><td></td><td></td><td>68</td><td>67</td><td>66</td><td></td><td></td><td>63</td><td>62</td><td></td><td></td><td>59</td><td></td><td>57</td><td></td><td></td><td></td><td>53</td></tr> <tr><td>52</td><td>51</td><td></td><td></td><td>48</td><td>47</td><td>46</td><td></td><td>44</td><td></td><td>42</td><td></td><td>40</td><td>39</td><td>38</td><td></td><td></td><td></td><td></td><td>34</td><td>33</td></tr> <tr><td colspan="2">73</td><td></td><td>32</td><td></td><td>30</td><td></td><td></td><td>27</td><td>26</td><td>25</td><td></td><td></td><td>22</td><td>21</td><td></td><td></td><td></td><td></td><td></td><td></td></tr> <tr><td colspan="2"></td><td></td><td>15</td><td>14</td><td></td><td></td><td></td><td>10</td><td>9</td><td></td><td></td><td>6</td><td>5</td><td>4</td><td></td><td></td><td></td><td></td><td></td><td></td></tr> </table>	72	70			68	67	66			63	62			59		57				53	52	51			48	47	46		44		42		40	39	38					34	33	73			32		30			27	26	25			22	21										15	14				10	9			6	5	4						
72	70			68	67	66			63	62			59		57				53																																																																						
52	51			48	47	46		44		42		40	39	38					34	33																																																																					
73			32		30			27	26	25			22	21																																																																											
			15	14				10	9			6	5	4																																																																											
AVAILABLE	NOT APPLICABLE	34566-3573	9	C	BLUE	<table border="1"> <tr><td></td><td></td><td>70</td><td>69</td><td>68</td><td></td><td></td><td></td><td></td><td>63</td><td>62</td><td>61</td><td></td><td></td><td>58</td><td>57</td><td>56</td><td>55</td><td>54</td><td>53</td></tr> <tr><td>52</td><td>51</td><td>50</td><td>49</td><td>48</td><td>47</td><td></td><td></td><td>44</td><td>43</td><td>42</td><td>41</td><td></td><td></td><td></td><td>37</td><td>36</td><td></td><td></td><td>34</td></tr> <tr><td colspan="2">73</td><td></td><td>32</td><td></td><td></td><td>29</td><td>28</td><td>27</td><td>26</td><td></td><td></td><td></td><td></td><td></td><td></td><td></td><td>19</td><td>18</td><td></td></tr> <tr><td colspan="2"></td><td></td><td>16</td><td>15</td><td>14</td><td>13</td><td>12</td><td>11</td><td>10</td><td></td><td></td><td></td><td></td><td></td><td></td><td></td><td>3</td><td></td><td></td></tr> </table>			70	69	68					63	62	61			58	57	56	55	54	53	52	51	50	49	48	47			44	43	42	41				37	36			34	73			32			29	28	27	26								19	18					16	15	14	13	12	11	10								3					
		70	69	68					63	62	61			58	57	56	55	54	53																																																																						
52	51	50	49	48	47			44	43	42	41				37	36			34																																																																						
73			32			29	28	27	26								19	18																																																																							
			16	15	14	13	12	11	10								3																																																																								
AVAILABLE	NOT APPLICABLE	34566-3583	9	A	BLACK	<table border="1"> <tr><td></td><td></td><td>70</td><td>69</td><td></td><td></td><td></td><td></td><td></td><td>63</td><td>62</td><td>61</td><td></td><td></td><td>58</td><td>57</td><td>56</td><td>55</td><td>54</td><td>53</td></tr> <tr><td>52</td><td>51</td><td>50</td><td>49</td><td></td><td></td><td></td><td></td><td>44</td><td>43</td><td>42</td><td>41</td><td></td><td></td><td></td><td>37</td><td>36</td><td></td><td></td><td>34</td></tr> <tr><td colspan="2">73</td><td></td><td>32</td><td></td><td></td><td>29</td><td>28</td><td>27</td><td>26</td><td></td><td></td><td></td><td></td><td></td><td></td><td></td><td>19</td><td>18</td><td></td></tr> <tr><td colspan="2"></td><td></td><td>16</td><td>15</td><td>14</td><td>13</td><td>12</td><td>11</td><td>10</td><td></td><td></td><td></td><td></td><td></td><td></td><td></td><td>3</td><td></td><td></td></tr> </table>			70	69						63	62	61			58	57	56	55	54	53	52	51	50	49					44	43	42	41				37	36			34	73			32			29	28	27	26								19	18					16	15	14	13	12	11	10								3					
		70	69						63	62	61			58	57	56	55	54	53																																																																						
52	51	50	49					44	43	42	41				37	36			34																																																																						
73			32			29	28	27	26								19	18																																																																							
			16	15	14	13	12	11	10								3																																																																								
AVAILABLE	NOT APPLICABLE	34566-3593	0	A	BLACK	<table border="1"> <tr><td></td><td>71</td><td></td><td>69</td><td></td><td></td><td></td><td></td><td>64</td><td>63</td><td></td><td></td><td>60</td><td>58</td><td>57</td><td>56</td><td>55</td><td>54</td><td>53</td></tr> <tr><td>52</td><td>51</td><td></td><td>49</td><td></td><td></td><td></td><td>45</td><td>44</td><td>43</td><td>42</td><td>41</td><td></td><td></td><td></td><td>37</td><td>36</td><td>35</td><td>34</td><td>33</td></tr> <tr><td colspan="2">73</td><td></td><td>32</td><td></td><td>30</td><td></td><td></td><td>28</td><td></td><td>26</td><td></td><td></td><td></td><td></td><td></td><td></td><td>19</td><td>18</td><td></td></tr> <tr><td colspan="2"></td><td></td><td>16</td><td>15</td><td></td><td></td><td>12</td><td></td><td>10</td><td></td><td></td><td></td><td></td><td></td><td></td><td></td><td>3</td><td></td><td></td></tr> </table>		71		69					64	63			60	58	57	56	55	54	53	52	51		49				45	44	43	42	41				37	36	35	34	33	73			32		30			28		26							19	18					16	15			12		10								3						
	71		69					64	63			60	58	57	56	55	54	53																																																																							
52	51		49				45	44	43	42	41				37	36	35	34	33																																																																						
73			32		30			28		26							19	18																																																																							
			16	15			12		10								3																																																																								
AVAILABLE	NOT APPLICABLE	34566-3613	0	B	ST GRY	<table border="1"> <tr><td></td><td></td><td></td><td></td><td>68</td><td>67</td><td></td><td></td><td>64</td><td>63</td><td></td><td></td><td>59</td><td></td><td></td><td></td><td></td><td></td><td></td><td></td></tr> <tr><td></td><td></td><td></td><td></td><td></td><td></td><td>46</td><td>45</td><td></td><td>43</td><td></td><td></td><td>39</td><td></td><td></td><td></td><td></td><td></td><td></td><td></td></tr> <tr><td colspan="2">73</td><td></td><td>32</td><td></td><td>30</td><td>29</td><td>28</td><td>27</td><td></td><td></td><td></td><td></td><td></td><td></td><td></td><td></td><td></td><td></td><td></td></tr> <tr><td colspan="2"></td><td></td><td></td><td></td><td></td><td></td><td></td><td></td><td>10</td><td></td><td></td><td>6</td><td>5</td><td>4</td><td>3</td><td></td><td></td><td></td><td></td></tr> </table>					68	67			64	63			59														46	45		43			39								73			32		30	29	28	27																					10			6	5	4	3							
				68	67			64	63			59																																																																													
						46	45		43			39																																																																													
73			32		30	29	28	27																																																																																	
									10			6	5	4	3																																																																										

QUALITY SYMBOLS 	THIS DRAWING CONTAINS INFORMATION THAT IS PROPRIETARY TO MOLEX ELECTRONIC TECHNOLOGIES, LLC AND SHOULD NOT BE USED WITHOUT WRITTEN PERMISSION												
	EC NO: 115012	DRWN: TYE	CHKD: JDENG02	REV: APPR: JDENG02	GENERAL TOLERANCES (UNLESS SPECIFIED)		DIMENSION UNITS	SCALE	 MX123 66/73/80CKT HRNS CONN ASSY PRODUCT CUSTOMER DRAWING				
	2017/03/27	2017/03/30	ANGULAR TOL ± °		MM	1:1							
	4 PLACES ±		DRWN BY	DATE	SKRAJENDRANA 2011/02/14								
	3 PLACES ±		CHKD BY	DATE	MVANSLAMBROU 2011/02/14								
	2 PLACES ±		APPR BY	DATE									
	1 PLACE ±		DRAWING SIZE		THIRD ANGLE PROJECTION		SERIES			MATERIAL NUMBER		CUSTOMER	
	0 PLACES ±		DRAFT WHERE APPLICABLE MUST REMAIN WITHIN DIMENSIONS		D		34566		SEE BOM TABLE		GENERAL MARKET		
	DOCUMENT NUMBER		DOC TYPE		DOC PART		SHEET NUMBER						
	SD-34566-001		PSD		000		42 OF 92						

STATUS	GM PART #	MATERIAL #	WIRE DRESS OPTION	KEY OPTION 	COLOR (TPA) 	NUMBERS INDICATE CAVITIES OPEN FOR CIRCUITS 																																																																																								
AVAILABLE	NOT APPLICABLE	34566-3623	0	A	BLACK	<table border="1"> <tr><td>72</td><td></td><td>70</td><td>69</td><td></td><td></td><td></td><td></td><td></td><td></td><td>63</td><td>62</td><td>61</td><td>60</td><td>59</td><td>58</td><td>57</td><td>56</td><td>55</td><td>54</td><td>53</td></tr> <tr><td>52</td><td>51</td><td></td><td>49</td><td></td><td></td><td></td><td></td><td></td><td></td><td>44</td><td>43</td><td>42</td><td>41</td><td></td><td></td><td></td><td>37</td><td>36</td><td></td><td>34</td><td></td></tr> <tr><td colspan="2"></td><td colspan="2">73</td><td></td><td></td><td>32</td><td></td><td></td><td>29</td><td>28</td><td>27</td><td>26</td><td></td><td></td><td></td><td></td><td></td><td></td><td>19</td><td>18</td><td></td></tr> <tr><td colspan="2"></td><td colspan="2"></td><td></td><td></td><td>16</td><td>15</td><td></td><td>13</td><td>12</td><td>11</td><td>10</td><td></td><td>8</td><td></td><td></td><td></td><td></td><td>3</td><td></td><td></td></tr> </table>	72		70	69							63	62	61	60	59	58	57	56	55	54	53	52	51		49							44	43	42	41				37	36		34				73				32			29	28	27	26							19	18								16	15		13	12	11	10		8					3			
72		70	69							63	62	61	60	59	58	57	56	55	54	53																																																																										
52	51		49							44	43	42	41				37	36		34																																																																										
		73				32			29	28	27	26							19	18																																																																										
						16	15		13	12	11	10		8					3																																																																											
AVAILABLE	NOT APPLICABLE	34566-3633	0	C	BLUE	<table border="1"> <tr><td>72</td><td></td><td>70</td><td></td><td>68</td><td>67</td><td>66</td><td></td><td></td><td></td><td>63</td><td>62</td><td></td><td></td><td>59</td><td></td><td>57</td><td></td><td></td><td></td><td></td><td>53</td></tr> <tr><td>52</td><td>51</td><td></td><td></td><td>48</td><td>47</td><td>46</td><td></td><td></td><td>44</td><td></td><td></td><td></td><td></td><td>40</td><td>39</td><td>38</td><td>37</td><td>36</td><td></td><td>34</td><td>33</td></tr> <tr><td colspan="2"></td><td colspan="2">73</td><td></td><td></td><td>32</td><td></td><td>30</td><td></td><td></td><td></td><td>26</td><td>25</td><td>24</td><td>23</td><td>22</td><td>21</td><td></td><td></td><td></td><td></td></tr> <tr><td colspan="2"></td><td colspan="2"></td><td></td><td></td><td>15</td><td>14</td><td></td><td></td><td></td><td>10</td><td>9</td><td>8</td><td>7</td><td>6</td><td>5</td><td>4</td><td></td><td></td><td>2</td><td></td></tr> </table>	72		70		68	67	66				63	62			59		57					53	52	51			48	47	46			44					40	39	38	37	36		34	33			73				32		30				26	25	24	23	22	21											15	14				10	9	8	7	6	5	4			2	
72		70		68	67	66				63	62			59		57					53																																																																									
52	51			48	47	46			44					40	39	38	37	36		34	33																																																																									
		73				32		30				26	25	24	23	22	21																																																																													
						15	14				10	9	8	7	6	5	4			2																																																																										
AVAILABLE	NOT APPLICABLE	34566-3643	0	B	ST GRY	<table border="1"> <tr><td>72</td><td>71</td><td>70</td><td></td><td>68</td><td>67</td><td>66</td><td></td><td></td><td>64</td><td>63</td><td></td><td></td><td></td><td>59</td><td></td><td></td><td></td><td></td><td></td><td></td><td>53</td></tr> <tr><td>52</td><td>51</td><td>50</td><td></td><td>48</td><td>47</td><td>46</td><td></td><td></td><td></td><td></td><td></td><td></td><td></td><td>39</td><td></td><td></td><td></td><td></td><td></td><td>34</td><td>33</td></tr> <tr><td colspan="2"></td><td colspan="2">73</td><td></td><td></td><td>32</td><td>31</td><td>30</td><td>29</td><td>28</td><td>27</td><td>26</td><td>25</td><td>24</td><td></td><td></td><td></td><td></td><td></td><td></td><td>17</td></tr> <tr><td colspan="2"></td><td colspan="2"></td><td></td><td></td><td>16</td><td>15</td><td>14</td><td>13</td><td></td><td></td><td>10</td><td></td><td>8</td><td></td><td></td><td></td><td></td><td></td><td>2</td><td>1</td></tr> </table>	72	71	70		68	67	66			64	63				59							53	52	51	50		48	47	46								39						34	33			73				32	31	30	29	28	27	26	25	24							17							16	15	14	13			10		8						2	1
72	71	70		68	67	66			64	63				59							53																																																																									
52	51	50		48	47	46								39						34	33																																																																									
		73				32	31	30	29	28	27	26	25	24							17																																																																									
						16	15	14	13			10		8						2	1																																																																									
AVAILABLE	NOT APPLICABLE	34566-3653	0	B	ST GRY	<table border="1"> <tr><td>72</td><td>71</td><td>70</td><td>69</td><td>68</td><td></td><td>66</td><td>65</td><td>64</td><td>63</td><td></td><td></td><td></td><td></td><td>59</td><td></td><td></td><td></td><td></td><td></td><td></td><td>53</td></tr> <tr><td>52</td><td>51</td><td>50</td><td>49</td><td>48</td><td>47</td><td>46</td><td>45</td><td>44</td><td>43</td><td></td><td></td><td></td><td></td><td>39</td><td></td><td></td><td></td><td></td><td></td><td>34</td><td>33</td></tr> <tr><td colspan="2"></td><td colspan="2">73</td><td></td><td></td><td>32</td><td></td><td>30</td><td>29</td><td>28</td><td>27</td><td>26</td><td>25</td><td>24</td><td></td><td></td><td></td><td></td><td></td><td></td><td>17</td></tr> <tr><td colspan="2"></td><td colspan="2"></td><td></td><td></td><td>16</td><td></td><td>14</td><td>13</td><td>12</td><td>11</td><td>10</td><td></td><td>8</td><td></td><td></td><td></td><td></td><td>3</td><td>2</td><td>1</td></tr> </table>	72	71	70	69	68		66	65	64	63					59							53	52	51	50	49	48	47	46	45	44	43					39						34	33			73				32		30	29	28	27	26	25	24							17							16		14	13	12	11	10		8					3	2	1
72	71	70	69	68		66	65	64	63					59							53																																																																									
52	51	50	49	48	47	46	45	44	43					39						34	33																																																																									
		73				32		30	29	28	27	26	25	24							17																																																																									
						16		14	13	12	11	10		8					3	2	1																																																																									
AVAILABLE	NOT APPLICABLE	34566-3663	0	A	BLACK	<table border="1"> <tr><td>72</td><td></td><td>70</td><td>69</td><td></td><td></td><td></td><td></td><td></td><td></td><td>63</td><td>62</td><td>61</td><td>60</td><td>59</td><td>58</td><td>57</td><td>56</td><td>55</td><td>54</td><td>53</td></tr> <tr><td>52</td><td>51</td><td></td><td>49</td><td></td><td></td><td></td><td></td><td></td><td></td><td>44</td><td>43</td><td>42</td><td>41</td><td></td><td></td><td></td><td>37</td><td>36</td><td></td><td>34</td><td></td></tr> <tr><td colspan="2"></td><td colspan="2">73</td><td></td><td></td><td>32</td><td></td><td></td><td>29</td><td>28</td><td>27</td><td>26</td><td></td><td></td><td></td><td></td><td></td><td></td><td>19</td><td>18</td><td></td></tr> <tr><td colspan="2"></td><td colspan="2"></td><td></td><td></td><td>16</td><td>15</td><td></td><td>13</td><td>12</td><td>11</td><td>10</td><td></td><td>7</td><td>6</td><td></td><td></td><td></td><td>3</td><td></td><td></td></tr> </table>	72		70	69							63	62	61	60	59	58	57	56	55	54	53	52	51		49							44	43	42	41				37	36		34				73				32			29	28	27	26							19	18								16	15		13	12	11	10		7	6				3			
72		70	69							63	62	61	60	59	58	57	56	55	54	53																																																																										
52	51		49							44	43	42	41				37	36		34																																																																										
		73				32			29	28	27	26							19	18																																																																										
						16	15		13	12	11	10		7	6				3																																																																											
AVAILABLE	NOT APPLICABLE	34566-3673	9	C	BLUE	<table border="1"> <tr><td></td><td>71</td><td>70</td><td>69</td><td>68</td><td>67</td><td></td><td>65</td><td></td><td>63</td><td>62</td><td>61</td><td></td><td>59</td><td>58</td><td>57</td><td>56</td><td>55</td><td>54</td><td>53</td></tr> <tr><td></td><td>51</td><td>50</td><td>49</td><td>48</td><td></td><td></td><td>45</td><td>44</td><td>43</td><td>42</td><td>41</td><td>40</td><td>39</td><td>38</td><td></td><td>36</td><td>35</td><td>34</td><td>33</td></tr> <tr><td colspan="2"></td><td colspan="2">73</td><td></td><td></td><td>31</td><td>30</td><td>29</td><td>28</td><td>27</td><td>26</td><td></td><td></td><td>22</td><td></td><td>20</td><td>19</td><td>18</td><td>17</td></tr> <tr><td colspan="2"></td><td colspan="2"></td><td></td><td></td><td>16</td><td>15</td><td>14</td><td></td><td></td><td></td><td>9</td><td>7</td><td>6</td><td>5</td><td></td><td>3</td><td>2</td><td>1</td></tr> </table>		71	70	69	68	67		65		63	62	61		59	58	57	56	55	54	53		51	50	49	48			45	44	43	42	41	40	39	38		36	35	34	33			73				31	30	29	28	27	26			22		20	19	18	17							16	15	14				9	7	6	5		3	2	1								
	71	70	69	68	67		65		63	62	61		59	58	57	56	55	54	53																																																																											
	51	50	49	48			45	44	43	42	41	40	39	38		36	35	34	33																																																																											
		73				31	30	29	28	27	26			22		20	19	18	17																																																																											
						16	15	14				9	7	6	5		3	2	1																																																																											
AVAILABLE	NOT APPLICABLE	34566-3683	9	H	ST GRY	<table border="1"> <tr><td></td><td></td><td></td><td></td><td></td><td></td><td></td><td></td><td></td><td></td><td></td><td></td><td></td><td></td><td></td><td></td><td></td><td></td><td></td><td></td><td></td><td>61</td></tr> <tr><td></td><td></td><td></td><td></td><td></td><td></td><td></td><td></td><td></td><td></td><td>32</td><td></td><td></td><td></td><td></td><td></td><td></td><td></td><td></td><td></td><td></td><td></td></tr> <tr><td>20</td><td></td><td></td><td></td><td></td><td>15</td><td></td><td></td><td></td><td></td><td></td><td></td><td>9</td><td></td><td></td><td></td><td>5</td><td></td><td></td><td></td><td></td><td>1</td></tr> </table>																						61											32												20					15							9				5					1																						
																					61																																																																									
										32																																																																																				
20					15							9				5					1																																																																									
AVAILABLE	NOT APPLICABLE	34566-3693	0	C	BLUE	<table border="1"> <tr><td>72</td><td></td><td>70</td><td></td><td>68</td><td>67</td><td>66</td><td></td><td></td><td></td><td>63</td><td>62</td><td></td><td></td><td>59</td><td></td><td>57</td><td></td><td></td><td></td><td></td><td>53</td></tr> <tr><td>52</td><td>51</td><td></td><td></td><td>48</td><td>47</td><td>46</td><td></td><td></td><td>44</td><td></td><td>42</td><td></td><td>40</td><td>39</td><td>38</td><td></td><td></td><td></td><td></td><td>34</td><td>33</td></tr> <tr><td colspan="2"></td><td colspan="2">73</td><td></td><td></td><td>32</td><td></td><td>30</td><td></td><td></td><td>27</td><td>26</td><td>25</td><td></td><td></td><td>22</td><td>21</td><td></td><td></td><td></td><td></td></tr> <tr><td colspan="2"></td><td colspan="2"></td><td></td><td></td><td>15</td><td>14</td><td></td><td></td><td></td><td>10</td><td>9</td><td></td><td></td><td>6</td><td>5</td><td>4</td><td></td><td></td><td></td><td></td></tr> </table>	72		70		68	67	66				63	62			59		57					53	52	51			48	47	46			44		42		40	39	38					34	33			73				32		30			27	26	25			22	21											15	14				10	9			6	5	4				
72		70		68	67	66				63	62			59		57					53																																																																									
52	51			48	47	46			44		42		40	39	38					34	33																																																																									
		73				32		30			27	26	25			22	21																																																																													
						15	14				10	9			6	5	4																																																																													
AVAILABLE	NOT APPLICABLE	34566-3713	0	C	BLUE	<table border="1"> <tr><td>72</td><td></td><td>70</td><td></td><td>68</td><td>67</td><td>66</td><td></td><td></td><td></td><td>63</td><td>62</td><td></td><td></td><td>59</td><td></td><td>57</td><td></td><td></td><td></td><td></td><td>53</td></tr> <tr><td>52</td><td>51</td><td></td><td></td><td>48</td><td>47</td><td>46</td><td></td><td></td><td>44</td><td></td><td>42</td><td></td><td>40</td><td>39</td><td></td><td></td><td></td><td></td><td></td><td>34</td><td>33</td></tr> <tr><td colspan="2"></td><td colspan="2">73</td><td></td><td></td><td>32</td><td></td><td>30</td><td></td><td></td><td>27</td><td>26</td><td>25</td><td></td><td></td><td>22</td><td>21</td><td></td><td></td><td></td><td></td></tr> <tr><td colspan="2"></td><td colspan="2"></td><td></td><td></td><td>15</td><td>14</td><td></td><td></td><td></td><td>10</td><td>9</td><td></td><td></td><td>6</td><td>5</td><td>4</td><td></td><td></td><td></td><td></td></tr> </table>	72		70		68	67	66				63	62			59		57					53	52	51			48	47	46			44		42		40	39						34	33			73				32		30			27	26	25			22	21											15	14				10	9			6	5	4				
72		70		68	67	66				63	62			59		57					53																																																																									
52	51			48	47	46			44		42		40	39						34	33																																																																									
		73				32		30			27	26	25			22	21																																																																													
						15	14				10	9			6	5	4																																																																													

QUALITY SYMBOLS = 0 = 0 = 0 = 0 = 0 = 0 = 0 = 0 = 0	THIS DRAWING CONTAINS INFORMATION THAT IS PROPRIETARY TO MOLEX ELECTRONIC TECHNOLOGIES, LLC AND SHOULD NOT BE USED WITHOUT WRITTEN PERMISSION									
	2017/03/27	2017/03/30	GENERAL TOLERANCES (UNLESS SPECIFIED)		DIMENSION UNITS	SCALE				
	EC NO: 115012	DRWN: TYE	ANGULAR TOL ± °		MM	1:1				
	CHKD:	JDENG02	4 PLACES ±	SKRAJENDRANA	DATE	2011/02/14				
	REV:		3 PLACES ±	CHKD BY	DATE					
			2 PLACES ±	MVANSLAMBROU	DATE	2011/02/14				
			1 PLACE ±	APPR BY	DATE					
			0 PLACES ±	DRAWING SIZE		THIRD ANGLE PROJECTION				
			DRAFT WHERE APPLICABLE MUST REMAIN WITHIN DIMENSIONS		D					
					SERIES	MATERIAL NUMBER				
				34566	SEE BOM TABLE	GENERAL MARKET				
				DOCUMENT NUMBER	DOC TYPE	DOC PART	SHEET NUMBER			
				SD-34566-001	PSD	000	43 OF 92			

STATUS	GM PART #	MATERIAL #	WIRE DRESS OPTION	KEY OPTION	COLOR (TPA)	NUMBERS INDICATE CAVITIES OPEN FOR CIRCUITS																																																																																				
AVAILABLE	NOT APPLICABLE	34566-3723	0	A	BLACK	<table border="1"> <tr><td></td><td></td><td>70</td><td>69</td><td></td><td></td><td></td><td></td><td></td><td></td><td>63</td><td>62</td><td>61</td><td></td><td></td><td>58</td><td>57</td><td>56</td><td>55</td><td>54</td><td>53</td></tr> <tr><td>52</td><td>51</td><td>50</td><td>49</td><td></td><td></td><td></td><td></td><td></td><td>44</td><td>43</td><td>42</td><td>41</td><td></td><td></td><td></td><td>37</td><td>36</td><td></td><td></td><td>34</td></tr> <tr><td colspan="2"></td><td colspan="2">73</td><td>32</td><td></td><td></td><td>29</td><td>28</td><td>27</td><td>26</td><td></td><td></td><td></td><td></td><td></td><td></td><td></td><td>19</td><td>18</td><td></td></tr> <tr><td colspan="2"></td><td colspan="2"></td><td>16</td><td>15</td><td>14</td><td>13</td><td>12</td><td>11</td><td>10</td><td></td><td></td><td></td><td></td><td></td><td></td><td></td><td>3</td><td></td><td></td></tr> </table>			70	69							63	62	61			58	57	56	55	54	53	52	51	50	49						44	43	42	41				37	36			34			73		32			29	28	27	26								19	18						16	15	14	13	12	11	10								3		
		70	69							63	62	61			58	57	56	55	54	53																																																																						
52	51	50	49						44	43	42	41				37	36			34																																																																						
		73		32			29	28	27	26								19	18																																																																							
				16	15	14	13	12	11	10								3																																																																								
AVAILABLE	NOT APPLICABLE	34566-3733	0	B	ST GRY	<table border="1"> <tr><td>72</td><td>71</td><td>70</td><td></td><td>68</td><td>67</td><td>66</td><td></td><td></td><td></td><td>62</td><td>61</td><td>60</td><td>59</td><td>58</td><td>57</td><td>56</td><td>55</td><td>54</td><td>53</td></tr> <tr><td>52</td><td>51</td><td>50</td><td></td><td>48</td><td>47</td><td>46</td><td></td><td></td><td></td><td>42</td><td>41</td><td>40</td><td>39</td><td>38</td><td>37</td><td>36</td><td>35</td><td>34</td><td>33</td></tr> <tr><td colspan="2"></td><td colspan="2">73</td><td>32</td><td>31</td><td>30</td><td>29</td><td>28</td><td>27</td><td>26</td><td>25</td><td>24</td><td>23</td><td></td><td></td><td></td><td></td><td></td><td></td></tr> <tr><td colspan="2"></td><td colspan="2"></td><td>16</td><td>15</td><td>14</td><td>13</td><td></td><td></td><td>10</td><td>9</td><td>8</td><td></td><td></td><td></td><td></td><td></td><td></td><td></td></tr> </table>	72	71	70		68	67	66				62	61	60	59	58	57	56	55	54	53	52	51	50		48	47	46				42	41	40	39	38	37	36	35	34	33			73		32	31	30	29	28	27	26	25	24	23											16	15	14	13			10	9	8											
72	71	70		68	67	66				62	61	60	59	58	57	56	55	54	53																																																																							
52	51	50		48	47	46				42	41	40	39	38	37	36	35	34	33																																																																							
		73		32	31	30	29	28	27	26	25	24	23																																																																													
				16	15	14	13			10	9	8																																																																														
AVAILABLE	NOT APPLICABLE	34566-3743	0	C	BLUE	<table border="1"> <tr><td>72</td><td></td><td>70</td><td></td><td>68</td><td></td><td>66</td><td></td><td></td><td>63</td><td>62</td><td></td><td></td><td>59</td><td></td><td>57</td><td></td><td></td><td></td><td>53</td></tr> <tr><td>52</td><td>51</td><td></td><td></td><td>48</td><td>47</td><td>46</td><td></td><td>44</td><td></td><td>42</td><td></td><td>40</td><td>39</td><td>38</td><td></td><td></td><td></td><td></td><td>34</td><td>33</td></tr> <tr><td colspan="2"></td><td colspan="2">73</td><td>32</td><td></td><td>30</td><td></td><td></td><td>27</td><td>26</td><td>25</td><td></td><td></td><td>22</td><td>21</td><td></td><td></td><td></td><td></td><td></td></tr> <tr><td colspan="2"></td><td colspan="2"></td><td></td><td>15</td><td>14</td><td></td><td></td><td></td><td>10</td><td>9</td><td></td><td></td><td>6</td><td>5</td><td>4</td><td></td><td></td><td></td><td></td></tr> </table>	72		70		68		66			63	62			59		57				53	52	51			48	47	46		44		42		40	39	38					34	33			73		32		30			27	26	25			22	21											15	14				10	9			6	5	4					
72		70		68		66			63	62			59		57				53																																																																							
52	51			48	47	46		44		42		40	39	38					34	33																																																																						
		73		32		30			27	26	25			22	21																																																																											
					15	14				10	9			6	5	4																																																																										
AVAILABLE	NOT APPLICABLE	34566-3753	0	C	BLUE	<table border="1"> <tr><td>72</td><td></td><td>70</td><td></td><td>68</td><td></td><td>66</td><td></td><td></td><td>63</td><td>62</td><td></td><td></td><td>59</td><td></td><td>57</td><td></td><td></td><td></td><td>53</td></tr> <tr><td>52</td><td>51</td><td></td><td></td><td>48</td><td>47</td><td>46</td><td></td><td>44</td><td></td><td>42</td><td></td><td>40</td><td>39</td><td></td><td></td><td></td><td></td><td></td><td>34</td><td>33</td></tr> <tr><td colspan="2"></td><td colspan="2">73</td><td>32</td><td></td><td>30</td><td></td><td></td><td>27</td><td>26</td><td>25</td><td></td><td></td><td>22</td><td>21</td><td></td><td></td><td></td><td></td><td></td></tr> <tr><td colspan="2"></td><td colspan="2"></td><td></td><td>15</td><td>14</td><td></td><td></td><td></td><td>10</td><td>9</td><td></td><td></td><td>6</td><td>5</td><td>4</td><td></td><td></td><td></td><td></td></tr> </table>	72		70		68		66			63	62			59		57				53	52	51			48	47	46		44		42		40	39						34	33			73		32		30			27	26	25			22	21											15	14				10	9			6	5	4					
72		70		68		66			63	62			59		57				53																																																																							
52	51			48	47	46		44		42		40	39						34	33																																																																						
		73		32		30			27	26	25			22	21																																																																											
					15	14				10	9			6	5	4																																																																										
AVAILABLE	NOT APPLICABLE	34566-3763	0	C	BLUE	<table border="1"> <tr><td>72</td><td></td><td>70</td><td></td><td>68</td><td></td><td>66</td><td></td><td></td><td>63</td><td>62</td><td></td><td></td><td>59</td><td></td><td>57</td><td>56</td><td>55</td><td></td><td>53</td></tr> <tr><td>52</td><td>51</td><td></td><td></td><td>48</td><td>47</td><td>46</td><td></td><td>44</td><td></td><td>42</td><td></td><td>40</td><td>39</td><td></td><td></td><td></td><td></td><td></td><td>34</td><td>33</td></tr> <tr><td colspan="2"></td><td colspan="2">73</td><td>32</td><td></td><td>30</td><td></td><td></td><td>27</td><td>26</td><td>25</td><td></td><td></td><td>22</td><td>21</td><td></td><td></td><td></td><td></td><td></td></tr> <tr><td colspan="2"></td><td colspan="2"></td><td></td><td>15</td><td>14</td><td></td><td></td><td></td><td>10</td><td>9</td><td></td><td></td><td>6</td><td>5</td><td>4</td><td></td><td></td><td></td><td></td></tr> </table>	72		70		68		66			63	62			59		57	56	55		53	52	51			48	47	46		44		42		40	39						34	33			73		32		30			27	26	25			22	21											15	14				10	9			6	5	4					
72		70		68		66			63	62			59		57	56	55		53																																																																							
52	51			48	47	46		44		42		40	39						34	33																																																																						
		73		32		30			27	26	25			22	21																																																																											
					15	14				10	9			6	5	4																																																																										
AVAILABLE	NOT APPLICABLE	34566-3773	0	A	BLACK	<table border="1"> <tr><td></td><td></td><td>70</td><td>69</td><td></td><td></td><td></td><td></td><td></td><td></td><td>63</td><td></td><td></td><td></td><td></td><td>58</td><td></td><td>56</td><td>55</td><td>54</td><td>53</td></tr> <tr><td>52</td><td>51</td><td>50</td><td>49</td><td></td><td></td><td></td><td></td><td></td><td>44</td><td>43</td><td>42</td><td>41</td><td></td><td>39</td><td></td><td></td><td>36</td><td></td><td>34</td><td></td></tr> <tr><td colspan="2"></td><td colspan="2">73</td><td>32</td><td></td><td></td><td></td><td>28</td><td></td><td>26</td><td></td><td></td><td></td><td></td><td></td><td></td><td></td><td>19</td><td>18</td><td></td></tr> <tr><td colspan="2"></td><td colspan="2"></td><td>16</td><td>15</td><td>14</td><td></td><td>12</td><td></td><td>10</td><td></td><td></td><td></td><td></td><td></td><td></td><td></td><td>3</td><td></td><td></td></tr> </table>			70	69							63					58		56	55	54	53	52	51	50	49						44	43	42	41		39			36		34				73		32				28		26								19	18						16	15	14		12		10								3		
		70	69							63					58		56	55	54	53																																																																						
52	51	50	49						44	43	42	41		39			36		34																																																																							
		73		32				28		26								19	18																																																																							
				16	15	14		12		10								3																																																																								
AVAILABLE	NOT APPLICABLE	34566-3783	0	A	BLACK	<table border="1"> <tr><td></td><td></td><td>70</td><td>69</td><td></td><td></td><td></td><td></td><td></td><td></td><td>63</td><td></td><td></td><td></td><td></td><td>58</td><td></td><td>56</td><td>55</td><td>54</td><td>53</td></tr> <tr><td>52</td><td>51</td><td>50</td><td>49</td><td></td><td></td><td></td><td></td><td></td><td>44</td><td>43</td><td>42</td><td>41</td><td></td><td>39</td><td></td><td></td><td>36</td><td></td><td>34</td><td></td></tr> <tr><td colspan="2"></td><td colspan="2">73</td><td>32</td><td></td><td></td><td></td><td>28</td><td></td><td>26</td><td></td><td></td><td></td><td></td><td></td><td></td><td></td><td>19</td><td>18</td><td>17</td></tr> <tr><td colspan="2"></td><td colspan="2"></td><td>16</td><td>15</td><td>14</td><td></td><td>12</td><td></td><td>10</td><td></td><td></td><td></td><td></td><td></td><td></td><td></td><td>3</td><td>2</td><td>1</td></tr> </table>			70	69							63					58		56	55	54	53	52	51	50	49						44	43	42	41		39			36		34				73		32				28		26								19	18	17					16	15	14		12		10								3	2	1
		70	69							63					58		56	55	54	53																																																																						
52	51	50	49						44	43	42	41		39			36		34																																																																							
		73		32				28		26								19	18	17																																																																						
				16	15	14		12		10								3	2	1																																																																						
AVAILABLE	NOT APPLICABLE	34566-3793	0	A	BLACK	<table border="1"> <tr><td></td><td>71</td><td>70</td><td></td><td></td><td></td><td></td><td></td><td></td><td>64</td><td>63</td><td></td><td></td><td>60</td><td></td><td>58</td><td>57</td><td>56</td><td>55</td><td>54</td><td>53</td></tr> <tr><td>52</td><td>51</td><td></td><td>49</td><td></td><td></td><td></td><td></td><td>45</td><td>44</td><td>43</td><td>42</td><td>41</td><td></td><td></td><td>37</td><td>36</td><td></td><td></td><td>34</td><td></td></tr> <tr><td colspan="2"></td><td colspan="2">73</td><td>32</td><td></td><td>30</td><td></td><td></td><td>28</td><td></td><td>26</td><td></td><td></td><td>23</td><td>21</td><td></td><td></td><td>19</td><td>18</td><td></td></tr> <tr><td colspan="2"></td><td colspan="2"></td><td>16</td><td>15</td><td></td><td></td><td>12</td><td></td><td>10</td><td></td><td>8</td><td></td><td></td><td>5</td><td></td><td></td><td>3</td><td></td><td></td></tr> </table>		71	70							64	63			60		58	57	56	55	54	53	52	51		49					45	44	43	42	41			37	36			34				73		32		30			28		26			23	21			19	18						16	15			12		10		8			5			3		
	71	70							64	63			60		58	57	56	55	54	53																																																																						
52	51		49					45	44	43	42	41			37	36			34																																																																							
		73		32		30			28		26			23	21			19	18																																																																							
				16	15			12		10		8			5			3																																																																								
AVAILABLE	NOT APPLICABLE	34566-3813	0	C	BLUE	<table border="1"> <tr><td>72</td><td></td><td>70</td><td></td><td>68</td><td></td><td>66</td><td></td><td></td><td>63</td><td>62</td><td></td><td></td><td>59</td><td></td><td>57</td><td></td><td></td><td></td><td></td><td>53</td></tr> <tr><td>52</td><td>51</td><td></td><td></td><td>48</td><td>47</td><td>46</td><td></td><td>44</td><td></td><td>42</td><td></td><td>40</td><td>39</td><td>38</td><td>37</td><td>36</td><td></td><td></td><td>34</td><td>33</td></tr> <tr><td colspan="2"></td><td colspan="2">73</td><td>32</td><td></td><td>30</td><td></td><td></td><td>26</td><td>25</td><td>24</td><td></td><td>22</td><td>21</td><td>20</td><td></td><td></td><td></td><td></td><td></td></tr> <tr><td colspan="2"></td><td colspan="2"></td><td></td><td>15</td><td>14</td><td>13</td><td></td><td></td><td>10</td><td>9</td><td>8</td><td></td><td>6</td><td>5</td><td>4</td><td></td><td></td><td></td><td>2</td></tr> </table>	72		70		68		66			63	62			59		57					53	52	51			48	47	46		44		42		40	39	38	37	36			34	33			73		32		30			26	25	24		22	21	20											15	14	13			10	9	8		6	5	4				2
72		70		68		66			63	62			59		57					53																																																																						
52	51			48	47	46		44		42		40	39	38	37	36			34	33																																																																						
		73		32		30			26	25	24		22	21	20																																																																											
					15	14	13			10	9	8		6	5	4				2																																																																						

QUALITY SYMBOLS 	THIS DRAWING CONTAINS INFORMATION THAT IS PROPRIETARY TO MOLEX ELECTRONIC TECHNOLOGIES, LLC AND SHOULD NOT BE USED WITHOUT WRITTEN PERMISSION									
	2017/03/27	2017/03/30	GENERAL TOLERANCES (UNLESS SPECIFIED)		DIMENSION UNITS	SCALE				
	EC NO: 115012 DRWN: TYE CHKD: REV APPR: JDENG02	ANGULAR TOL ± °		MM	1:1					
		4 PLACES ±	SKRAJENDRANA	2011/02/14						
		3 PLACES ±	CHKD BY	DATE						
		2 PLACES ±	MVANSLAMBROU	2011/02/14						
		1 PLACE ±	APPR BY	DATE						
	0 PLACES ±	DRAWING SIZE		THIRD ANGLE PROJECTION						
	DRAFT WHERE APPLICABLE MUST REMAIN WITHIN DIMENSIONS		D							
	SERIES		MATERIAL NUMBER	CUSTOMER						
34566		SEE BOM TABLE	GENERAL MARKET							
DOCUMENT NUMBER		DOC TYPE	DOC PART	SHEET NUMBER						
SD-34566-001		PSD	000	44 OF 92						

STATUS	GM PART #	MATERIAL #	WIRE DRESS OPTION	KEY OPTION	COLOR (TPA)	NUMBERS INDICATE CAVITIES OPEN FOR CIRCUITS																																																																																											
AVAILABLE	NOT APPLICABLE	34566-3823	0	A	BLACK	<table border="1"> <tr><td></td><td></td><td>70</td><td>69</td><td></td><td></td><td></td><td></td><td></td><td></td><td>63</td><td>61</td><td></td><td></td><td>58</td><td>57</td><td>56</td><td>55</td><td>54</td><td>53</td></tr> <tr><td>52</td><td>51</td><td></td><td>49</td><td></td><td></td><td></td><td></td><td></td><td>44</td><td>43</td><td>41</td><td></td><td></td><td></td><td>37</td><td>36</td><td></td><td></td><td>34</td></tr> <tr><td colspan="2">73</td><td></td><td>32</td><td></td><td></td><td></td><td></td><td></td><td>27</td><td>26</td><td></td><td></td><td></td><td></td><td></td><td></td><td></td><td>19</td><td>18</td></tr> <tr><td colspan="2"></td><td></td><td>16</td><td>15</td><td></td><td></td><td></td><td></td><td>11</td><td>10</td><td></td><td></td><td></td><td></td><td></td><td></td><td></td><td>3</td><td></td></tr> </table>			70	69							63	61			58	57	56	55	54	53	52	51		49						44	43	41				37	36			34	73			32						27	26								19	18				16	15					11	10								3												
		70	69							63	61			58	57	56	55	54	53																																																																														
52	51		49						44	43	41				37	36			34																																																																														
73			32						27	26								19	18																																																																														
			16	15					11	10								3																																																																															
AVAILABLE	NOT APPLICABLE	34566-3833	0	A	BLACK	<table border="1"> <tr><td></td><td></td><td>70</td><td>69</td><td></td><td></td><td></td><td></td><td></td><td></td><td>63</td><td>62</td><td>61</td><td></td><td></td><td></td><td>57</td><td>56</td><td>55</td><td>54</td><td>53</td></tr> <tr><td>52</td><td>51</td><td></td><td>49</td><td></td><td></td><td></td><td></td><td></td><td>44</td><td>43</td><td>42</td><td>41</td><td></td><td></td><td></td><td>37</td><td>36</td><td></td><td></td><td>34</td></tr> <tr><td colspan="2">73</td><td></td><td>32</td><td></td><td></td><td></td><td></td><td>29</td><td>28</td><td>27</td><td>26</td><td></td><td></td><td>23</td><td></td><td></td><td></td><td></td><td>19</td><td>18</td></tr> <tr><td colspan="2"></td><td></td><td>16</td><td>15</td><td></td><td></td><td>13</td><td>12</td><td>11</td><td>10</td><td></td><td>8</td><td></td><td></td><td></td><td></td><td></td><td></td><td>3</td><td></td></tr> </table>			70	69							63	62	61				57	56	55	54	53	52	51		49						44	43	42	41				37	36			34	73			32					29	28	27	26			23					19	18				16	15			13	12	11	10		8							3								
		70	69							63	62	61				57	56	55	54	53																																																																													
52	51		49						44	43	42	41				37	36			34																																																																													
73			32					29	28	27	26			23					19	18																																																																													
			16	15			13	12	11	10		8							3																																																																														
AVAILABLE	NOT APPLICABLE	34566-3843	0	A	BLACK	<table border="1"> <tr><td>72</td><td>71</td><td>70</td><td>69</td><td>68</td><td>67</td><td>66</td><td></td><td></td><td>64</td><td>63</td><td>62</td><td></td><td>60</td><td>59</td><td></td><td></td><td></td><td></td><td>55</td><td>54</td><td>53</td></tr> <tr><td>52</td><td></td><td></td><td>49</td><td>48</td><td></td><td></td><td></td><td></td><td>44</td><td>43</td><td>42</td><td>41</td><td>40</td><td>39</td><td></td><td></td><td></td><td></td><td></td><td>35</td><td>34</td><td>33</td></tr> <tr><td colspan="2">73</td><td></td><td>32</td><td></td><td></td><td></td><td></td><td>29</td><td>28</td><td>27</td><td></td><td>25</td><td>24</td><td>23</td><td></td><td></td><td></td><td></td><td></td><td>19</td><td>18</td><td>17</td></tr> <tr><td colspan="2"></td><td></td><td>16</td><td></td><td></td><td></td><td></td><td>13</td><td>12</td><td>11</td><td></td><td>9</td><td>8</td><td>7</td><td>6</td><td>5</td><td>4</td><td>3</td><td>2</td><td>1</td><td></td><td></td></tr> </table>	72	71	70	69	68	67	66			64	63	62		60	59					55	54	53	52			49	48					44	43	42	41	40	39						35	34	33	73			32					29	28	27		25	24	23						19	18	17				16					13	12	11		9	8	7	6	5	4	3	2	1		
72	71	70	69	68	67	66			64	63	62		60	59					55	54	53																																																																												
52			49	48					44	43	42	41	40	39						35	34	33																																																																											
73			32					29	28	27		25	24	23						19	18	17																																																																											
			16					13	12	11		9	8	7	6	5	4	3	2	1																																																																													
AVAILABLE	NOT APPLICABLE	34566-3853	0	A	BLACK	<table border="1"> <tr><td>72</td><td>71</td><td>70</td><td>69</td><td>68</td><td>67</td><td>66</td><td>65</td><td>64</td><td>63</td><td>62</td><td></td><td>60</td><td>59</td><td></td><td></td><td></td><td></td><td></td><td>55</td><td>54</td><td>53</td></tr> <tr><td>52</td><td></td><td></td><td>49</td><td>48</td><td></td><td></td><td></td><td>45</td><td>44</td><td>43</td><td>42</td><td>41</td><td>40</td><td>39</td><td></td><td></td><td></td><td></td><td></td><td>35</td><td>34</td><td>33</td></tr> <tr><td colspan="2">73</td><td></td><td>32</td><td></td><td></td><td></td><td></td><td>29</td><td>28</td><td>27</td><td></td><td>25</td><td>24</td><td>23</td><td></td><td></td><td></td><td></td><td></td><td>19</td><td>18</td><td>17</td></tr> <tr><td colspan="2"></td><td></td><td>16</td><td></td><td></td><td></td><td></td><td>13</td><td>12</td><td>11</td><td></td><td>9</td><td>8</td><td>7</td><td>6</td><td>5</td><td>4</td><td>3</td><td>2</td><td>1</td><td></td><td></td></tr> </table>	72	71	70	69	68	67	66	65	64	63	62		60	59						55	54	53	52			49	48				45	44	43	42	41	40	39						35	34	33	73			32					29	28	27		25	24	23						19	18	17				16					13	12	11		9	8	7	6	5	4	3	2	1		
72	71	70	69	68	67	66	65	64	63	62		60	59						55	54	53																																																																												
52			49	48				45	44	43	42	41	40	39						35	34	33																																																																											
73			32					29	28	27		25	24	23						19	18	17																																																																											
			16					13	12	11		9	8	7	6	5	4	3	2	1																																																																													
AVAILABLE	NOT APPLICABLE	34566-3863	0	B	ST GRY	<table border="1"> <tr><td>72</td><td>71</td><td>70</td><td></td><td>68</td><td>67</td><td>66</td><td></td><td></td><td></td><td>62</td><td>61</td><td>60</td><td>59</td><td>58</td><td>57</td><td>56</td><td>55</td><td>54</td><td>53</td></tr> <tr><td>52</td><td>51</td><td>50</td><td></td><td>48</td><td>47</td><td>46</td><td></td><td></td><td></td><td>42</td><td>41</td><td>40</td><td>39</td><td>38</td><td>37</td><td>36</td><td>35</td><td>34</td><td>33</td></tr> <tr><td colspan="2">73</td><td></td><td>32</td><td>31</td><td>30</td><td>29</td><td>28</td><td>27</td><td>26</td><td>25</td><td>24</td><td></td><td></td><td></td><td></td><td></td><td></td><td></td><td></td><td>17</td></tr> <tr><td colspan="2"></td><td></td><td>16</td><td>15</td><td>14</td><td>13</td><td></td><td></td><td></td><td>10</td><td></td><td>8</td><td></td><td></td><td></td><td></td><td></td><td></td><td></td><td>2</td><td>1</td></tr> </table>	72	71	70		68	67	66				62	61	60	59	58	57	56	55	54	53	52	51	50		48	47	46				42	41	40	39	38	37	36	35	34	33	73			32	31	30	29	28	27	26	25	24									17				16	15	14	13				10		8								2	1								
72	71	70		68	67	66				62	61	60	59	58	57	56	55	54	53																																																																														
52	51	50		48	47	46				42	41	40	39	38	37	36	35	34	33																																																																														
73			32	31	30	29	28	27	26	25	24									17																																																																													
			16	15	14	13				10		8								2	1																																																																												
AVAILABLE	NOT APPLICABLE	34566-3873	0	B	ST GRY	<table border="1"> <tr><td></td><td></td><td></td><td></td><td></td><td></td><td></td><td></td><td></td><td></td><td>63</td><td></td><td></td><td></td><td>59</td><td>58</td><td>57</td><td>56</td><td>55</td><td></td><td></td><td></td></tr> <tr><td></td><td></td><td>50</td><td>49</td><td>48</td><td></td><td>46</td><td>45</td><td></td><td></td><td>43</td><td></td><td></td><td></td><td>39</td><td>38</td><td>37</td><td>36</td><td>35</td><td>34</td><td></td><td></td></tr> <tr><td colspan="2">73</td><td></td><td></td><td></td><td></td><td></td><td></td><td>29</td><td>27</td><td></td><td></td><td></td><td></td><td>23</td><td>22</td><td>21</td><td></td><td></td><td></td><td>18</td><td></td></tr> <tr><td colspan="2"></td><td></td><td></td><td></td><td></td><td>16</td><td>15</td><td>14</td><td>13</td><td></td><td></td><td></td><td></td><td>7</td><td>6</td><td>5</td><td>4</td><td>3</td><td></td><td></td><td></td></tr> </table>											63				59	58	57	56	55						50	49	48		46	45			43				39	38	37	36	35	34			73								29	27					23	22	21				18								16	15	14	13					7	6	5	4	3						
										63				59	58	57	56	55																																																																															
		50	49	48		46	45			43				39	38	37	36	35	34																																																																														
73								29	27					23	22	21				18																																																																													
						16	15	14	13					7	6	5	4	3																																																																															
AVAILABLE	NOT APPLICABLE	34566-3883	0	B	ST GRY	<table border="1"> <tr><td></td><td></td><td></td><td></td><td></td><td>67</td><td>66</td><td></td><td></td><td></td><td></td><td></td><td></td><td></td><td>59</td><td>58</td><td>57</td><td>56</td><td>55</td><td></td><td></td><td>53</td></tr> <tr><td></td><td></td><td>50</td><td>49</td><td>48</td><td></td><td></td><td>45</td><td></td><td></td><td></td><td></td><td></td><td></td><td>39</td><td>38</td><td>37</td><td>36</td><td>35</td><td>34</td><td>33</td><td></td></tr> <tr><td colspan="2">73</td><td></td><td></td><td></td><td></td><td></td><td></td><td>29</td><td></td><td></td><td></td><td></td><td></td><td>23</td><td>22</td><td>21</td><td></td><td></td><td></td><td></td><td>18</td></tr> <tr><td colspan="2"></td><td></td><td></td><td></td><td></td><td>16</td><td>15</td><td>14</td><td>13</td><td></td><td></td><td></td><td></td><td>8</td><td>7</td><td>6</td><td>5</td><td>4</td><td>3</td><td></td><td></td></tr> </table>						67	66								59	58	57	56	55			53			50	49	48			45							39	38	37	36	35	34	33		73								29						23	22	21					18							16	15	14	13					8	7	6	5	4	3					
					67	66								59	58	57	56	55			53																																																																												
		50	49	48			45							39	38	37	36	35	34	33																																																																													
73								29						23	22	21					18																																																																												
						16	15	14	13					8	7	6	5	4	3																																																																														
AVAILABLE	NOT APPLICABLE	34566-3893	0	C	BLUE	<table border="1"> <tr><td>72</td><td></td><td>70</td><td></td><td>68</td><td>67</td><td>66</td><td></td><td></td><td></td><td>63</td><td>62</td><td></td><td></td><td>59</td><td></td><td>57</td><td></td><td></td><td></td><td></td><td>53</td></tr> <tr><td>52</td><td>51</td><td></td><td></td><td>48</td><td>47</td><td>46</td><td></td><td></td><td>44</td><td></td><td>42</td><td></td><td></td><td></td><td></td><td></td><td></td><td></td><td></td><td></td><td>34</td><td>33</td></tr> <tr><td colspan="2">73</td><td></td><td></td><td>32</td><td></td><td>30</td><td></td><td></td><td></td><td>27</td><td>26</td><td>25</td><td></td><td></td><td></td><td>22</td><td>21</td><td></td><td></td><td></td><td></td><td></td></tr> <tr><td colspan="2"></td><td></td><td></td><td></td><td></td><td>15</td><td>14</td><td></td><td></td><td></td><td>10</td><td>9</td><td></td><td></td><td></td><td>6</td><td>5</td><td>4</td><td></td><td></td><td></td><td></td></tr> </table>	72		70		68	67	66				63	62			59		57					53	52	51			48	47	46			44		42										34	33	73				32		30				27	26	25				22	21												15	14				10	9				6	5	4				
72		70		68	67	66				63	62			59		57					53																																																																												
52	51			48	47	46			44		42										34	33																																																																											
73				32		30				27	26	25				22	21																																																																																
						15	14				10	9				6	5	4																																																																															

QUALITY SYMBOLS = 0 = 0 = 0 = 0 = 0 = 0 = 0 = 0 = 0	THIS DRAWING CONTAINS INFORMATION THAT IS PROPRIETARY TO MOLEX ELECTRONIC TECHNOLOGIES, LLC AND SHOULD NOT BE USED WITHOUT WRITTEN PERMISSION		DIMENSION UNITS MM	SCALE 1:1				
	EC NO: 115012 DRWN: TYE CHKD: JDENG02 REV: APPR: JDENG02	2017/03/27 2017/03/30	GENERAL TOLERANCES (UNLESS SPECIFIED) ANGULAR TOL ± ° 4 PLACES ± 3 PLACES ± 2 PLACES ± 1 PLACE ± 0 PLACES ± DRAFT WHERE APPLICABLE MUST REMAIN WITHIN DIMENSIONS	DRWN BY SKRAJENDRANA		DATE 2011/02/14	MX123 66/73/80CKT HRNS CONN ASSY	
		CHKD BY MVANSLAMBROU	DATE 2011/02/14	PRODUCT CUSTOMER DRAWING				
		APPR BY JDENG02	DATE 2011/02/14	SERIES 34566	MATERIAL NUMBER SEE BOM TABLE	CUSTOMER GENERAL MARKET		
RELEASE STATUS 19		RELEASE DATE 18		DOCUMENT NUMBER SD-34566-001		DOC TYPE PSD	DOC PART 000	SHEET NUMBER 45 OF 92

STATUS	GM PART #	MATERIAL #	WIRE DRESS OPTION	KEY OPTION	COLOR (TPA)	NUMBERS INDICATE CAVITIES OPEN FOR CIRCUITS																																																																																		
AVAILABLE	NOT APPLICABLE	34566-3913	0	A	BLACK	<table border="1"> <tr><td></td><td>71</td><td>70</td><td>69</td><td></td><td></td><td></td><td></td><td>64</td><td>63</td><td></td><td></td><td>60</td><td></td><td>58</td><td>57</td><td>56</td><td>55</td><td>54</td><td>53</td></tr> <tr><td>52</td><td>51</td><td></td><td>49</td><td></td><td></td><td></td><td></td><td>45</td><td>44</td><td>43</td><td>42</td><td>41</td><td></td><td></td><td>37</td><td>36</td><td></td><td>34</td><td></td></tr> <tr><td colspan="3">73</td><td>32</td><td></td><td>30</td><td></td><td></td><td>28</td><td></td><td>26</td><td></td><td></td><td>23</td><td></td><td>21</td><td></td><td>19</td><td>18</td><td></td></tr> <tr><td colspan="3">73</td><td>16</td><td>15</td><td></td><td></td><td>12</td><td></td><td>10</td><td></td><td></td><td>8</td><td></td><td></td><td>5</td><td></td><td>3</td><td></td><td></td></tr> </table>		71	70	69					64	63			60		58	57	56	55	54	53	52	51		49					45	44	43	42	41			37	36		34		73			32		30			28		26			23		21		19	18		73			16	15			12		10			8			5		3				
	71	70	69					64	63			60		58	57	56	55	54	53																																																																					
52	51		49					45	44	43	42	41			37	36		34																																																																						
73			32		30			28		26			23		21		19	18																																																																						
73			16	15			12		10			8			5		3																																																																							
AVAILABLE	NOT APPLICABLE	34566-3923	0	B	ST GRY	<table border="1"> <tr><td>72</td><td></td><td>70</td><td></td><td>68</td><td></td><td>66</td><td></td><td></td><td></td><td></td><td></td><td></td><td>60</td><td>59</td><td></td><td></td><td></td><td>55</td><td>54</td><td>53</td></tr> <tr><td>52</td><td></td><td>50</td><td></td><td>48</td><td></td><td>46</td><td></td><td></td><td></td><td></td><td></td><td></td><td>40</td><td>39</td><td></td><td></td><td></td><td>35</td><td>34</td><td>33</td></tr> <tr><td colspan="3">73</td><td>32</td><td>31</td><td>30</td><td>29</td><td>28</td><td>27</td><td>26</td><td>25</td><td>24</td><td>23</td><td></td><td></td><td></td><td></td><td>19</td><td>18</td><td></td></tr> <tr><td colspan="3">73</td><td>16</td><td></td><td></td><td></td><td></td><td></td><td>10</td><td>9</td><td>8</td><td>7</td><td></td><td></td><td></td><td></td><td></td><td></td><td></td></tr> </table>	72		70		68		66							60	59				55	54	53	52		50		48		46							40	39				35	34	33	73			32	31	30	29	28	27	26	25	24	23					19	18		73			16						10	9	8	7							
72		70		68		66							60	59				55	54	53																																																																				
52		50		48		46							40	39				35	34	33																																																																				
73			32	31	30	29	28	27	26	25	24	23					19	18																																																																						
73			16						10	9	8	7																																																																												
AVAILABLE	NOT APPLICABLE	34566-3933	0	A	BLACK	<table border="1"> <tr><td></td><td>71</td><td>70</td><td>69</td><td></td><td></td><td></td><td></td><td>64</td><td>63</td><td></td><td></td><td>60</td><td></td><td>58</td><td>57</td><td>56</td><td>55</td><td>54</td><td>53</td></tr> <tr><td>52</td><td>51</td><td></td><td>49</td><td></td><td></td><td></td><td></td><td>45</td><td>44</td><td>43</td><td>42</td><td>41</td><td></td><td></td><td>37</td><td>36</td><td></td><td>34</td><td></td></tr> <tr><td colspan="3">73</td><td>32</td><td></td><td>30</td><td></td><td></td><td>28</td><td></td><td>26</td><td></td><td></td><td></td><td></td><td></td><td></td><td>19</td><td>18</td><td></td></tr> <tr><td colspan="3">73</td><td>16</td><td>15</td><td></td><td></td><td>12</td><td></td><td>10</td><td></td><td></td><td></td><td></td><td></td><td></td><td></td><td>3</td><td></td><td></td></tr> </table>		71	70	69					64	63			60		58	57	56	55	54	53	52	51		49					45	44	43	42	41			37	36		34		73			32		30			28		26							19	18		73			16	15			12		10								3				
	71	70	69					64	63			60		58	57	56	55	54	53																																																																					
52	51		49					45	44	43	42	41			37	36		34																																																																						
73			32		30			28		26							19	18																																																																						
73			16	15			12		10								3																																																																							
AVAILABLE	NOT APPLICABLE	34566-3943	0	C	BLUE	<table border="1"> <tr><td>72</td><td></td><td>70</td><td></td><td>68</td><td></td><td>66</td><td></td><td></td><td></td><td></td><td></td><td></td><td>60</td><td>59</td><td></td><td></td><td></td><td>55</td><td>54</td><td>53</td></tr> <tr><td>52</td><td></td><td>50</td><td></td><td>48</td><td></td><td>46</td><td></td><td></td><td></td><td></td><td></td><td></td><td>40</td><td>39</td><td></td><td></td><td></td><td>35</td><td>34</td><td>33</td></tr> <tr><td colspan="3">73</td><td>32</td><td>31</td><td>30</td><td>29</td><td>28</td><td>27</td><td>26</td><td>25</td><td>24</td><td></td><td></td><td></td><td></td><td></td><td></td><td></td><td></td></tr> <tr><td colspan="3">73</td><td>16</td><td></td><td></td><td></td><td></td><td></td><td>10</td><td>9</td><td>8</td><td></td><td></td><td></td><td></td><td></td><td></td><td></td><td></td></tr> </table>	72		70		68		66							60	59				55	54	53	52		50		48		46							40	39				35	34	33	73			32	31	30	29	28	27	26	25	24									73			16						10	9	8								
72		70		68		66							60	59				55	54	53																																																																				
52		50		48		46							40	39				35	34	33																																																																				
73			32	31	30	29	28	27	26	25	24																																																																													
73			16						10	9	8																																																																													
AVAILABLE	NOT APPLICABLE	34566-3953	0	C	BLUE	<table border="1"> <tr><td>72</td><td></td><td>70</td><td></td><td>68</td><td></td><td></td><td></td><td>63</td><td>62</td><td></td><td></td><td></td><td>59</td><td></td><td>57</td><td></td><td></td><td></td><td>53</td></tr> <tr><td>52</td><td>51</td><td></td><td></td><td>48</td><td>47</td><td>46</td><td></td><td>44</td><td>42</td><td></td><td></td><td>40</td><td>39</td><td></td><td></td><td></td><td></td><td>34</td><td>33</td></tr> <tr><td colspan="3">73</td><td>32</td><td></td><td>30</td><td></td><td></td><td></td><td>26</td><td>25</td><td></td><td></td><td>23</td><td>22</td><td>21</td><td>20</td><td></td><td></td><td></td></tr> <tr><td colspan="3">73</td><td></td><td>15</td><td>14</td><td>13</td><td></td><td></td><td></td><td></td><td></td><td>7</td><td>6</td><td>5</td><td>4</td><td></td><td></td><td></td><td></td></tr> </table>	72		70		68				63	62				59		57				53	52	51			48	47	46		44	42			40	39					34	33	73			32		30				26	25			23	22	21	20				73				15	14	13						7	6	5	4						
72		70		68				63	62				59		57				53																																																																					
52	51			48	47	46		44	42			40	39					34	33																																																																					
73			32		30				26	25			23	22	21	20																																																																								
73				15	14	13						7	6	5	4																																																																									
AVAILABLE	NOT APPLICABLE	34566-3963	0	C	BLUE	<table border="1"> <tr><td>72</td><td></td><td>70</td><td></td><td>68</td><td>67</td><td>66</td><td></td><td></td><td>63</td><td>62</td><td></td><td></td><td>59</td><td></td><td>57</td><td></td><td></td><td></td><td>53</td></tr> <tr><td>52</td><td>51</td><td></td><td></td><td>48</td><td>47</td><td>46</td><td></td><td>44</td><td>42</td><td></td><td></td><td>40</td><td>39</td><td>38</td><td></td><td></td><td></td><td>34</td><td>33</td></tr> <tr><td colspan="3">73</td><td>32</td><td></td><td>30</td><td></td><td></td><td></td><td>26</td><td>25</td><td></td><td></td><td></td><td>22</td><td>21</td><td></td><td></td><td></td><td></td></tr> <tr><td colspan="3">73</td><td></td><td>15</td><td>14</td><td></td><td></td><td></td><td>10</td><td>9</td><td></td><td></td><td>6</td><td>5</td><td>4</td><td></td><td></td><td></td><td></td></tr> </table>	72		70		68	67	66			63	62			59		57				53	52	51			48	47	46		44	42			40	39	38				34	33	73			32		30				26	25				22	21					73				15	14				10	9			6	5	4						
72		70		68	67	66			63	62			59		57				53																																																																					
52	51			48	47	46		44	42			40	39	38				34	33																																																																					
73			32		30				26	25				22	21																																																																									
73				15	14				10	9			6	5	4																																																																									
AVAILABLE	NOT APPLICABLE	34566-3973	0	C	BLUE	<table border="1"> <tr><td>72</td><td></td><td>70</td><td></td><td>68</td><td>67</td><td></td><td></td><td></td><td>63</td><td>62</td><td></td><td></td><td>59</td><td></td><td>57</td><td></td><td></td><td></td><td>53</td></tr> <tr><td>52</td><td>51</td><td></td><td></td><td>48</td><td>47</td><td>46</td><td></td><td>44</td><td>42</td><td></td><td></td><td>40</td><td>39</td><td>38</td><td></td><td></td><td></td><td>34</td><td>33</td></tr> <tr><td colspan="3">73</td><td>32</td><td></td><td>30</td><td></td><td></td><td></td><td>26</td><td>25</td><td></td><td></td><td></td><td>22</td><td>21</td><td></td><td></td><td></td><td></td></tr> <tr><td colspan="3">73</td><td></td><td>15</td><td>14</td><td></td><td></td><td></td><td></td><td></td><td></td><td></td><td>6</td><td>5</td><td>4</td><td></td><td></td><td></td><td></td></tr> </table>	72		70		68	67				63	62			59		57				53	52	51			48	47	46		44	42			40	39	38				34	33	73			32		30				26	25				22	21					73				15	14								6	5	4						
72		70		68	67				63	62			59		57				53																																																																					
52	51			48	47	46		44	42			40	39	38				34	33																																																																					
73			32		30				26	25				22	21																																																																									
73				15	14								6	5	4																																																																									
AVAILABLE	NOT APPLICABLE	34566-3983	0	A	BLACK	<table border="1"> <tr><td></td><td>71</td><td>70</td><td>69</td><td></td><td></td><td></td><td></td><td>64</td><td>63</td><td></td><td></td><td>60</td><td>59</td><td>58</td><td>57</td><td>56</td><td>55</td><td>54</td><td>53</td></tr> <tr><td>52</td><td>51</td><td></td><td>49</td><td></td><td></td><td></td><td></td><td>45</td><td>44</td><td>43</td><td>42</td><td>41</td><td>40</td><td></td><td>37</td><td>36</td><td></td><td>34</td><td></td></tr> <tr><td colspan="3">73</td><td>32</td><td></td><td>30</td><td></td><td></td><td>28</td><td></td><td>26</td><td></td><td></td><td></td><td></td><td></td><td></td><td>19</td><td>18</td><td></td></tr> <tr><td colspan="3">73</td><td>16</td><td>15</td><td></td><td></td><td>12</td><td></td><td>10</td><td></td><td></td><td></td><td></td><td></td><td></td><td></td><td>3</td><td></td><td></td></tr> </table>		71	70	69					64	63			60	59	58	57	56	55	54	53	52	51		49					45	44	43	42	41	40		37	36		34		73			32		30			28		26							19	18		73			16	15			12		10								3				
	71	70	69					64	63			60	59	58	57	56	55	54	53																																																																					
52	51		49					45	44	43	42	41	40		37	36		34																																																																						
73			32		30			28		26							19	18																																																																						
73			16	15			12		10								3																																																																							
AVAILABLE	NOT APPLICABLE	34566-3993	0	A	BLACK	<table border="1"> <tr><td></td><td></td><td>70</td><td>69</td><td></td><td></td><td></td><td></td><td></td><td>63</td><td>62</td><td>61</td><td>60</td><td></td><td>58</td><td>57</td><td>56</td><td>55</td><td>54</td><td>53</td></tr> <tr><td>52</td><td>51</td><td></td><td>49</td><td></td><td></td><td></td><td></td><td>44</td><td>43</td><td>42</td><td>41</td><td>40</td><td></td><td></td><td>37</td><td>36</td><td></td><td>34</td><td></td></tr> <tr><td colspan="3">73</td><td>32</td><td></td><td></td><td>29</td><td>28</td><td>27</td><td>26</td><td></td><td></td><td></td><td></td><td></td><td></td><td></td><td>19</td><td>18</td><td></td></tr> <tr><td colspan="3">73</td><td>16</td><td>15</td><td></td><td>13</td><td>12</td><td>11</td><td>10</td><td></td><td></td><td></td><td></td><td></td><td></td><td></td><td>3</td><td></td><td></td></tr> </table>			70	69						63	62	61	60		58	57	56	55	54	53	52	51		49					44	43	42	41	40			37	36		34		73			32			29	28	27	26								19	18		73			16	15		13	12	11	10								3				
		70	69						63	62	61	60		58	57	56	55	54	53																																																																					
52	51		49					44	43	42	41	40			37	36		34																																																																						
73			32			29	28	27	26								19	18																																																																						
73			16	15		13	12	11	10								3																																																																							

QUALITY SYMBOLS = 0 = 0 = 0 = 0 = 0 = 0 = 0 = 0 = 0		THIS DRAWING CONTAINS INFORMATION THAT IS PROPRIETARY TO MOLEX ELECTRONIC TECHNOLOGIES, LLC AND SHOULD NOT BE USED WITHOUT WRITTEN PERMISSION		DIMENSION UNITS MM		SCALE 1:1			
EC NO: 115012 DRWN: TYE CHKD: REV APPR: JDENG02		2017/03/27 2017/03/30		GENERAL TOLERANCES (UNLESS SPECIFIED) ANGULAR TOL ± °		DRWN BY SKRAJENDRANA			
				4 PLACES ±		CHKD BY MVANSLAMBROU		DATE 2011/02/14	
				3 PLACES ±		APPR BY			
				2 PLACES ±		DRAFT WHERE APPLICABLE MUST REMAIN WITHIN DIMENSIONS		DRAWING SIZE D	
				1 PLACE ±		THIRD ANGLE PROJECTION			
				0 PLACES ±		SERIES 34566		MATERIAL NUMBER SEE BOM TABLE	
				CUSTOMER GENERAL MARKET		DOCUMENT NUMBER SD-34566-001		DOC TYPE PSD	
				DOC PART 000		SHEET NUMBER 46 OF 92			

STATUS	GM PART #	MATERIAL #	WIRE DRESS OPTION	KEY OPTION	COLOR (TPA)	NUMBERS INDICATE CAVITIES OPEN FOR CIRCUITS																																																																																
AVAILABLE	NOT APPLICABLE	34566-4013	0	B	ST GRY	<table border="1"> <tr><td>72</td><td>70</td><td>68</td><td>66</td><td></td><td></td><td></td><td></td><td></td><td>60</td><td>59</td><td></td><td></td><td></td><td>55</td><td>54</td><td>53</td></tr> <tr><td>52</td><td>50</td><td>48</td><td>46</td><td></td><td></td><td></td><td></td><td></td><td>40</td><td>39</td><td></td><td></td><td></td><td>35</td><td>34</td><td>33</td></tr> <tr><td colspan="2">73</td><td>32</td><td>31</td><td>30</td><td>29</td><td>28</td><td>27</td><td>26</td><td>25</td><td>24</td><td></td><td></td><td></td><td></td><td></td><td>17</td></tr> <tr><td colspan="2"></td><td>16</td><td></td><td></td><td></td><td></td><td></td><td>10</td><td>8</td><td></td><td></td><td></td><td></td><td></td><td>2</td><td>1</td></tr> </table>	72	70	68	66						60	59				55	54	53	52	50	48	46						40	39				35	34	33	73		32	31	30	29	28	27	26	25	24						17			16						10	8						2	1												
72	70	68	66						60	59				55	54	53																																																																						
52	50	48	46						40	39				35	34	33																																																																						
73		32	31	30	29	28	27	26	25	24						17																																																																						
		16						10	8						2	1																																																																						
AVAILABLE	NOT APPLICABLE	34566-4023	0	B	ST GRY	<table border="1"> <tr><td>72</td><td>71</td><td>70</td><td>68</td><td>67</td><td>66</td><td></td><td></td><td></td><td>62</td><td>61</td><td>60</td><td>59</td><td>58</td><td>57</td><td>56</td><td>55</td><td>54</td><td>53</td></tr> <tr><td>52</td><td>51</td><td>50</td><td>48</td><td>47</td><td>46</td><td></td><td></td><td></td><td>42</td><td>41</td><td>40</td><td>39</td><td>38</td><td>37</td><td>36</td><td>35</td><td>34</td><td>33</td></tr> <tr><td colspan="2">73</td><td>32</td><td>31</td><td>30</td><td>29</td><td>28</td><td>27</td><td>26</td><td>25</td><td>24</td><td></td><td></td><td></td><td></td><td></td><td></td><td></td><td></td></tr> <tr><td colspan="2"></td><td>16</td><td>15</td><td>14</td><td>13</td><td></td><td></td><td>10</td><td>9</td><td>8</td><td></td><td></td><td></td><td></td><td></td><td></td><td></td><td></td></tr> </table>	72	71	70	68	67	66				62	61	60	59	58	57	56	55	54	53	52	51	50	48	47	46				42	41	40	39	38	37	36	35	34	33	73		32	31	30	29	28	27	26	25	24											16	15	14	13			10	9	8												
72	71	70	68	67	66				62	61	60	59	58	57	56	55	54	53																																																																				
52	51	50	48	47	46				42	41	40	39	38	37	36	35	34	33																																																																				
73		32	31	30	29	28	27	26	25	24																																																																												
		16	15	14	13			10	9	8																																																																												
AVAILABLE	NOT APPLICABLE	34566-4033	0	C	BLUE	<table border="1"> <tr><td>72</td><td>70</td><td>68</td><td></td><td></td><td></td><td></td><td></td><td>63</td><td>62</td><td></td><td></td><td>59</td><td>58</td><td>57</td><td></td><td></td><td></td><td>53</td></tr> <tr><td>52</td><td>51</td><td>48</td><td>47</td><td></td><td></td><td></td><td>44</td><td>42</td><td></td><td>40</td><td>39</td><td>38</td><td></td><td></td><td></td><td></td><td>34</td><td>33</td></tr> <tr><td colspan="2">73</td><td>32</td><td></td><td>30</td><td></td><td></td><td></td><td>26</td><td>25</td><td></td><td></td><td>22</td><td>21</td><td>20</td><td></td><td></td><td></td><td>17</td></tr> <tr><td colspan="2"></td><td></td><td>15</td><td>14</td><td>13</td><td></td><td></td><td></td><td></td><td></td><td></td><td>6</td><td>5</td><td>4</td><td></td><td></td><td></td><td>1</td></tr> </table>	72	70	68						63	62			59	58	57				53	52	51	48	47				44	42		40	39	38					34	33	73		32		30				26	25			22	21	20				17				15	14	13							6	5	4				1				
72	70	68						63	62			59	58	57				53																																																																				
52	51	48	47				44	42		40	39	38					34	33																																																																				
73		32		30				26	25			22	21	20				17																																																																				
			15	14	13							6	5	4				1																																																																				
AVAILABLE	NOT APPLICABLE	34566-4043	0	A	BLACK	<table border="1"> <tr><td></td><td>71</td><td>70</td><td>69</td><td></td><td>67</td><td></td><td></td><td>64</td><td>63</td><td></td><td></td><td>60</td><td></td><td></td><td>57</td><td>56</td><td>55</td><td>54</td><td>53</td></tr> <tr><td>52</td><td>51</td><td></td><td>49</td><td></td><td></td><td></td><td>45</td><td>44</td><td>43</td><td>42</td><td>41</td><td></td><td></td><td>37</td><td>36</td><td></td><td></td><td>34</td><td></td></tr> <tr><td colspan="2">73</td><td></td><td>32</td><td></td><td>30</td><td></td><td></td><td>28</td><td>26</td><td></td><td></td><td>23</td><td></td><td></td><td></td><td></td><td>19</td><td>18</td><td></td></tr> <tr><td colspan="2"></td><td></td><td>16</td><td>15</td><td></td><td></td><td>12</td><td></td><td>10</td><td></td><td></td><td></td><td></td><td></td><td></td><td></td><td>3</td><td></td><td></td></tr> </table>		71	70	69		67			64	63			60			57	56	55	54	53	52	51		49				45	44	43	42	41			37	36			34		73			32		30			28	26			23					19	18					16	15			12		10								3		
	71	70	69		67			64	63			60			57	56	55	54	53																																																																			
52	51		49				45	44	43	42	41			37	36			34																																																																				
73			32		30			28	26			23					19	18																																																																				
			16	15			12		10								3																																																																					
AVAILABLE	NOT APPLICABLE	34566-4053	0	A	BLACK	<table border="1"> <tr><td>72</td><td></td><td></td><td>69</td><td>67</td><td>66</td><td>65</td><td></td><td>63</td><td></td><td></td><td>60</td><td></td><td></td><td>57</td><td>56</td><td></td><td></td><td></td><td>53</td></tr> <tr><td></td><td></td><td></td><td>49</td><td>47</td><td>46</td><td></td><td>44</td><td>43</td><td>42</td><td></td><td>40</td><td></td><td></td><td>37</td><td>36</td><td>35</td><td></td><td></td><td>33</td></tr> <tr><td colspan="2">73</td><td></td><td></td><td>31</td><td>30</td><td>29</td><td>28</td><td>27</td><td>26</td><td></td><td>24</td><td></td><td></td><td>21</td><td>20</td><td></td><td></td><td></td><td>17</td></tr> <tr><td colspan="2"></td><td></td><td></td><td>16</td><td>15</td><td>14</td><td>13</td><td></td><td>11</td><td>10</td><td></td><td></td><td></td><td>5</td><td>4</td><td>3</td><td>2</td><td></td><td>1</td></tr> </table>	72			69	67	66	65		63			60			57	56				53				49	47	46		44	43	42		40			37	36	35			33	73				31	30	29	28	27	26		24			21	20				17					16	15	14	13		11	10				5	4	3	2		1
72			69	67	66	65		63			60			57	56				53																																																																			
			49	47	46		44	43	42		40			37	36	35			33																																																																			
73				31	30	29	28	27	26		24			21	20				17																																																																			
				16	15	14	13		11	10				5	4	3	2		1																																																																			
AVAILABLE	NOT APPLICABLE	34566-4063	0	B	ST GRY	<table border="1"> <tr><td></td><td></td><td></td><td>68</td><td>67</td><td></td><td></td><td>64</td><td></td><td></td><td></td><td></td><td>59</td><td>58</td><td></td><td></td><td></td><td></td><td>54</td><td></td></tr> <tr><td></td><td></td><td></td><td></td><td></td><td>46</td><td>45</td><td></td><td></td><td></td><td></td><td></td><td>39</td><td>38</td><td></td><td></td><td></td><td></td><td></td><td></td></tr> <tr><td colspan="2">73</td><td></td><td>32</td><td></td><td>30</td><td>29</td><td>28</td><td>27</td><td></td><td></td><td></td><td>23</td><td>22</td><td></td><td></td><td></td><td></td><td></td><td>17</td></tr> <tr><td colspan="2"></td><td></td><td></td><td>15</td><td></td><td>13</td><td></td><td></td><td>10</td><td></td><td>8</td><td></td><td></td><td></td><td></td><td></td><td></td><td></td><td>1</td></tr> </table>				68	67			64					59	58					54							46	45						39	38							73			32		30	29	28	27				23	22						17					15		13			10		8								1
			68	67			64					59	58					54																																																																				
					46	45						39	38																																																																									
73			32		30	29	28	27				23	22						17																																																																			
				15		13			10		8								1																																																																			
AVAILABLE	NOT APPLICABLE	34566-4073	0	A	BLACK	<table border="1"> <tr><td>72</td><td>70</td><td></td><td></td><td></td><td>66</td><td></td><td></td><td>63</td><td>62</td><td></td><td></td><td>59</td><td></td><td>57</td><td>56</td><td>55</td><td></td><td>53</td></tr> <tr><td>52</td><td>51</td><td></td><td></td><td></td><td>46</td><td></td><td>44</td><td>42</td><td></td><td>40</td><td>39</td><td></td><td></td><td>37</td><td>36</td><td></td><td>34</td><td>33</td></tr> <tr><td colspan="2">73</td><td></td><td>32</td><td></td><td>30</td><td></td><td></td><td>26</td><td>25</td><td></td><td></td><td>22</td><td>21</td><td></td><td>19</td><td>18</td><td></td><td></td></tr> <tr><td colspan="2"></td><td></td><td></td><td>15</td><td>14</td><td></td><td></td><td>10</td><td>9</td><td></td><td></td><td>6</td><td></td><td></td><td>3</td><td></td><td></td><td></td></tr> </table>	72	70				66			63	62			59		57	56	55		53	52	51				46		44	42		40	39			37	36		34	33	73			32		30			26	25			22	21		19	18							15	14			10	9			6			3							
72	70				66			63	62			59		57	56	55		53																																																																				
52	51				46		44	42		40	39			37	36		34	33																																																																				
73			32		30			26	25			22	21		19	18																																																																						
				15	14			10	9			6			3																																																																							

QUALITY SYMBOLS = 0 = 0 = 0 = 0 = 0 = 0 = 0 = 0 = 0	THIS DRAWING CONTAINS INFORMATION THAT IS PROPRIETARY TO MOLEX ELECTRONIC TECHNOLOGIES, LLC AND SHOULD NOT BE USED WITHOUT WRITTEN PERMISSION									
	2017/03/27	2017/03/30	GENERAL TOLERANCES (UNLESS SPECIFIED)		DIMENSION UNITS	SCALE				
	DRWN: TYE	CHKD: JDENG02	ANGULAR TOL ± °		MM	1:1				
	EC NO: 115012 DRWN: TYE CHKD: JDENG02 REV APPR: JDENG02	4 PLACES ±	SKRAJENDRANA		DATE	2011/02/14				
		3 PLACES ±	CHKD BY		DATE	2011/02/14				
		2 PLACES ±	APPR BY		DATE					
		1 PLACE ±	DRAWING SIZE		THIRD ANGLE PROJECTION					
		0 PLACES ±	DRAFT WHERE APPLICABLE MUST REMAIN WITHIN DIMENSIONS		D					
	SERIES		MATERIAL NUMBER		CUSTOMER		PRODUCT CUSTOMER DRAWING			
	34566		SEE BOM TABLE		GENERAL MARKET					
DOCUMENT NUMBER		DOC TYPE		DOC PART		SHEET NUMBER				
SD-34566-001		PSD		000		47 OF 92				

STATUS	GM PART #	MATERIAL #	WIRE DRESS OPTION	KEY OPTION	COLOR (TPA)	NUMBERS INDICATE CAVITIES OPEN FOR CIRCUITS																																																																																				
AVAILABLE	NOT APPLICABLE	34566-4083	0	C	BLUE	<table border="1"> <tr><td>72</td><td></td><td>70</td><td></td><td>68</td><td></td><td></td><td></td><td>63</td><td>62</td><td></td><td></td><td>59</td><td>58</td><td>57</td><td></td><td></td><td></td><td>53</td></tr> <tr><td>52</td><td>51</td><td></td><td></td><td>48</td><td>47</td><td></td><td></td><td>44</td><td>42</td><td></td><td>40</td><td>39</td><td>38</td><td>37</td><td>36</td><td></td><td></td><td>34</td><td>33</td></tr> <tr><td colspan="2">73</td><td></td><td></td><td>32</td><td></td><td>30</td><td></td><td></td><td>27</td><td>26</td><td>25</td><td>24</td><td></td><td>22</td><td>21</td><td>20</td><td></td><td></td><td>17</td></tr> <tr><td colspan="2"></td><td></td><td></td><td>15</td><td>14</td><td>13</td><td></td><td></td><td></td><td></td><td></td><td>8</td><td></td><td>6</td><td>5</td><td>4</td><td></td><td></td><td>2</td><td>1</td></tr> </table>	72		70		68				63	62			59	58	57				53	52	51			48	47			44	42		40	39	38	37	36			34	33	73				32		30			27	26	25	24		22	21	20			17					15	14	13						8		6	5	4			2	1				
72		70		68				63	62			59	58	57				53																																																																								
52	51			48	47			44	42		40	39	38	37	36			34	33																																																																							
73				32		30			27	26	25	24		22	21	20			17																																																																							
				15	14	13						8		6	5	4			2	1																																																																						
AVAILABLE	NOT APPLICABLE	34566-4093	0	A	BLACK	<table border="1"> <tr><td></td><td>71</td><td>70</td><td>69</td><td></td><td>67</td><td></td><td></td><td>64</td><td>63</td><td></td><td></td><td>60</td><td></td><td></td><td>57</td><td>56</td><td>55</td><td>54</td><td>53</td></tr> <tr><td>52</td><td>51</td><td></td><td>49</td><td></td><td>47</td><td></td><td>45</td><td>44</td><td>43</td><td>42</td><td>41</td><td></td><td></td><td></td><td>37</td><td>36</td><td></td><td></td><td>34</td></tr> <tr><td colspan="2">73</td><td></td><td></td><td>32</td><td></td><td>30</td><td></td><td>28</td><td></td><td>26</td><td></td><td></td><td>23</td><td></td><td></td><td></td><td>19</td><td>18</td><td></td></tr> <tr><td colspan="2"></td><td></td><td></td><td>16</td><td>15</td><td></td><td></td><td>12</td><td>10</td><td></td><td></td><td></td><td></td><td></td><td></td><td></td><td>3</td><td></td><td></td></tr> </table>		71	70	69		67			64	63			60			57	56	55	54	53	52	51		49		47		45	44	43	42	41				37	36			34	73				32		30		28		26			23				19	18						16	15			12	10								3						
	71	70	69		67			64	63			60			57	56	55	54	53																																																																							
52	51		49		47		45	44	43	42	41				37	36			34																																																																							
73				32		30		28		26			23				19	18																																																																								
				16	15			12	10								3																																																																									
AVAILABLE	NOT APPLICABLE	34566-4113	0	B	ST GRY	<table border="1"> <tr><td></td><td></td><td></td><td></td><td>68</td><td>67</td><td></td><td></td><td>64</td><td></td><td></td><td></td><td></td><td></td><td></td><td>58</td><td></td><td></td><td></td><td></td></tr> <tr><td></td><td></td><td></td><td></td><td></td><td>46</td><td>45</td><td></td><td></td><td></td><td></td><td></td><td></td><td></td><td></td><td>38</td><td></td><td></td><td></td><td></td></tr> <tr><td colspan="2">73</td><td></td><td></td><td>32</td><td></td><td>30</td><td>29</td><td>28</td><td>27</td><td></td><td></td><td></td><td></td><td>22</td><td></td><td></td><td></td><td></td><td>17</td></tr> <tr><td colspan="2"></td><td></td><td></td><td>15</td><td></td><td>13</td><td></td><td></td><td>10</td><td></td><td></td><td></td><td></td><td></td><td></td><td></td><td></td><td></td><td>1</td></tr> </table>					68	67			64							58										46	45									38					73				32		30	29	28	27					22					17					15		13			10										1				
				68	67			64							58																																																																											
					46	45									38																																																																											
73				32		30	29	28	27					22					17																																																																							
				15		13			10										1																																																																							
AVAILABLE	NOT APPLICABLE	34566-4123	9	A	BLACK	<table border="1"> <tr><td>72</td><td></td><td></td><td>69</td><td></td><td>67</td><td>66</td><td>65</td><td></td><td>63</td><td></td><td></td><td>60</td><td></td><td></td><td>57</td><td>56</td><td></td><td></td><td>53</td></tr> <tr><td></td><td></td><td></td><td>49</td><td></td><td>47</td><td>46</td><td></td><td>44</td><td>43</td><td>42</td><td></td><td>40</td><td></td><td></td><td>37</td><td>36</td><td>35</td><td></td><td>33</td></tr> <tr><td colspan="2">73</td><td></td><td></td><td></td><td>31</td><td>30</td><td>29</td><td>28</td><td></td><td>26</td><td></td><td>24</td><td></td><td></td><td>21</td><td>20</td><td></td><td></td><td>17</td></tr> <tr><td colspan="2"></td><td></td><td></td><td>16</td><td>15</td><td>14</td><td>13</td><td></td><td>11</td><td>10</td><td></td><td></td><td></td><td></td><td>5</td><td>4</td><td>3</td><td>2</td><td>1</td></tr> </table>	72			69		67	66	65		63			60			57	56			53				49		47	46		44	43	42		40			37	36	35		33	73					31	30	29	28		26		24			21	20			17					16	15	14	13		11	10					5	4	3	2	1				
72			69		67	66	65		63			60			57	56			53																																																																							
			49		47	46		44	43	42		40			37	36	35		33																																																																							
73					31	30	29	28		26		24			21	20			17																																																																							
				16	15	14	13		11	10					5	4	3	2	1																																																																							
AVAILABLE	NOT APPLICABLE	34566-4133	9	B	ST GRY	<table border="1"> <tr><td></td><td></td><td></td><td></td><td>68</td><td>67</td><td></td><td></td><td>64</td><td></td><td></td><td></td><td></td><td>59</td><td>58</td><td></td><td></td><td></td><td></td><td>54</td></tr> <tr><td></td><td></td><td></td><td></td><td></td><td>46</td><td>45</td><td></td><td></td><td></td><td></td><td></td><td></td><td>39</td><td>38</td><td></td><td></td><td></td><td></td><td>17</td></tr> <tr><td colspan="2">73</td><td></td><td></td><td>32</td><td></td><td>30</td><td>29</td><td>28</td><td>27</td><td></td><td></td><td></td><td>23</td><td>22</td><td></td><td></td><td></td><td></td><td>1</td></tr> <tr><td colspan="2"></td><td></td><td></td><td>15</td><td></td><td>13</td><td></td><td></td><td>10</td><td>9</td><td>8</td><td></td><td></td><td></td><td></td><td></td><td></td><td></td><td></td></tr> </table>					68	67			64					59	58					54						46	45							39	38					17	73				32		30	29	28	27				23	22					1					15		13			10	9	8												
				68	67			64					59	58					54																																																																							
					46	45							39	38					17																																																																							
73				32		30	29	28	27				23	22					1																																																																							
				15		13			10	9	8																																																																															
AVAILABLE	NOT APPLICABLE	34566-4143	0	B	ST GRY	<table border="1"> <tr><td></td><td></td><td></td><td></td><td>68</td><td>67</td><td></td><td></td><td>64</td><td></td><td></td><td></td><td></td><td>59</td><td>58</td><td></td><td></td><td></td><td></td><td>54</td></tr> <tr><td></td><td></td><td></td><td></td><td></td><td>46</td><td>45</td><td></td><td></td><td></td><td></td><td></td><td></td><td>39</td><td>38</td><td></td><td></td><td></td><td></td><td>17</td></tr> <tr><td colspan="2">73</td><td></td><td></td><td>32</td><td></td><td>30</td><td>29</td><td>28</td><td>27</td><td></td><td></td><td></td><td>23</td><td>22</td><td></td><td></td><td></td><td></td><td>1</td></tr> <tr><td colspan="2"></td><td></td><td></td><td></td><td></td><td></td><td></td><td></td><td>10</td><td>9</td><td></td><td></td><td></td><td></td><td></td><td></td><td></td><td></td><td></td></tr> </table>					68	67			64					59	58					54						46	45							39	38					17	73				32		30	29	28	27				23	22					1										10	9													
				68	67			64					59	58					54																																																																							
					46	45							39	38					17																																																																							
73				32		30	29	28	27				23	22					1																																																																							
									10	9																																																																																
AVAILABLE	NOT APPLICABLE	34566-4153	0	B	ST GRY	<table border="1"> <tr><td>72</td><td></td><td>70</td><td></td><td>68</td><td></td><td>66</td><td></td><td></td><td></td><td></td><td></td><td>60</td><td>59</td><td></td><td></td><td></td><td></td><td>55</td><td>54</td><td>53</td></tr> <tr><td>52</td><td></td><td>50</td><td></td><td>48</td><td></td><td>46</td><td></td><td>44</td><td></td><td></td><td></td><td>40</td><td>39</td><td></td><td></td><td></td><td></td><td>35</td><td>34</td><td>33</td></tr> <tr><td colspan="2">73</td><td></td><td></td><td>32</td><td>31</td><td>30</td><td>29</td><td>28</td><td>27</td><td>26</td><td>25</td><td>24</td><td>23</td><td></td><td></td><td></td><td></td><td>19</td><td>18</td><td></td></tr> <tr><td colspan="2"></td><td></td><td></td><td>16</td><td></td><td></td><td></td><td></td><td></td><td>10</td><td>9</td><td>8</td><td>7</td><td></td><td></td><td></td><td></td><td></td><td></td><td></td></tr> </table>	72		70		68		66						60	59					55	54	53	52		50		48		46		44				40	39					35	34	33	73				32	31	30	29	28	27	26	25	24	23					19	18						16						10	9	8	7							
72		70		68		66						60	59					55	54	53																																																																						
52		50		48		46		44				40	39					35	34	33																																																																						
73				32	31	30	29	28	27	26	25	24	23					19	18																																																																							
				16						10	9	8	7																																																																													
AVAILABLE	NOT APPLICABLE	34566-4163	0	B	ST GRY	<table border="1"> <tr><td>72</td><td></td><td>70</td><td></td><td>68</td><td></td><td>66</td><td></td><td></td><td></td><td></td><td></td><td>60</td><td>59</td><td></td><td></td><td></td><td></td><td>55</td><td>54</td><td>53</td></tr> <tr><td>52</td><td></td><td>50</td><td></td><td>48</td><td></td><td>46</td><td></td><td></td><td></td><td></td><td></td><td>40</td><td>39</td><td></td><td></td><td></td><td></td><td>35</td><td>34</td><td>33</td></tr> <tr><td colspan="2">73</td><td></td><td></td><td>32</td><td>31</td><td>30</td><td>29</td><td>28</td><td>27</td><td>26</td><td>25</td><td>24</td><td></td><td></td><td></td><td></td><td></td><td></td><td>17</td><td></td></tr> <tr><td colspan="2"></td><td></td><td></td><td>16</td><td></td><td></td><td></td><td></td><td></td><td>10</td><td>8</td><td>7</td><td></td><td></td><td></td><td></td><td></td><td></td><td>2</td><td>1</td></tr> </table>	72		70		68		66						60	59					55	54	53	52		50		48		46						40	39					35	34	33	73				32	31	30	29	28	27	26	25	24							17						16						10	8	7							2	1
72		70		68		66						60	59					55	54	53																																																																						
52		50		48		46						40	39					35	34	33																																																																						
73				32	31	30	29	28	27	26	25	24							17																																																																							
				16						10	8	7							2	1																																																																						
AVAILABLE	NOT APPLICABLE	34566-4173	0	A	BLACK	<table border="1"> <tr><td>72</td><td>71</td><td>70</td><td>69</td><td></td><td></td><td></td><td></td><td>64</td><td>63</td><td></td><td></td><td>60</td><td>59</td><td>58</td><td></td><td>56</td><td>55</td><td>54</td><td>53</td></tr> <tr><td>52</td><td>51</td><td></td><td>49</td><td></td><td>47</td><td></td><td>45</td><td>44</td><td>43</td><td>42</td><td>41</td><td></td><td></td><td>38</td><td></td><td>36</td><td></td><td></td><td>34</td></tr> <tr><td colspan="2">73</td><td></td><td></td><td>32</td><td></td><td>30</td><td></td><td>28</td><td></td><td>26</td><td>25</td><td></td><td></td><td>21</td><td></td><td>19</td><td>18</td><td></td><td></td></tr> <tr><td colspan="2"></td><td></td><td></td><td>16</td><td>15</td><td></td><td></td><td>12</td><td>10</td><td>9</td><td>8</td><td></td><td></td><td>5</td><td></td><td>3</td><td></td><td></td><td></td></tr> </table>	72	71	70	69					64	63			60	59	58		56	55	54	53	52	51		49		47		45	44	43	42	41			38		36			34	73				32		30		28		26	25			21		19	18							16	15			12	10	9	8			5		3							
72	71	70	69					64	63			60	59	58		56	55	54	53																																																																							
52	51		49		47		45	44	43	42	41			38		36			34																																																																							
73				32		30		28		26	25			21		19	18																																																																									
				16	15			12	10	9	8			5		3																																																																										

QUALITY SYMBOLS 	THIS DRAWING CONTAINS INFORMATION THAT IS PROPRIETARY TO MOLEX ELECTRONIC TECHNOLOGIES, LLC AND SHOULD NOT BE USED WITHOUT WRITTEN PERMISSION									
	2017/03/27	2017/03/30	GENERAL TOLERANCES (UNLESS SPECIFIED)		DIMENSION UNITS	SCALE				
	DRWN: TYE	CHKD: JDENG02	ANGULAR TOL ± °		MM	1:1				
	REV: APPR: JDENG02	4 PLACES ±		DRWN BY	DATE					
	3 PLACES ±		SKRAJENDRANA	2011/02/14						
	2 PLACES ±		CHKD BY	DATE						
	1 PLACE ±		MVANSLAMBROU	2011/02/14						
	0 PLACES ±		APPR BY	DATE						
	DRAFT WHERE APPLICABLE MUST REMAIN WITHIN DIMENSIONS		DRAWING SIZE	THIRD ANGLE PROJECTION						
	D									
G49		SERIES	MATERIAL NUMBER	CUSTOMER						
		34566	SEE BOM TABLE	GENERAL MARKET						
		DOCUMENT NUMBER	DOC TYPE	DOC PART	SHEET NUMBER					
		SD-34566-001	PSD	000	48 OF 92					

STATUS	GM PART #	MATERIAL #	WIRE DRESS OPTION	KEY OPTION	COLOR (TPA)	NUMBERS INDICATE CAVITIES OPEN FOR CIRCUITS																																																																																					
AVAILABLE	NOT APPLICABLE	34566-4183	0	C	BLUE	<table border="1"> <tr><td>72</td><td></td><td>70</td><td></td><td>68</td><td></td><td>66</td><td></td><td></td><td>63</td><td>62</td><td></td><td></td><td>59</td><td>58</td><td>57</td><td></td><td></td><td></td><td>53</td></tr> <tr><td>52</td><td>51</td><td></td><td></td><td>48</td><td>47</td><td>46</td><td></td><td>44</td><td></td><td>42</td><td></td><td>40</td><td>39</td><td></td><td></td><td></td><td></td><td></td><td>34</td><td>33</td></tr> <tr><td colspan="2">73</td><td></td><td></td><td>32</td><td></td><td>30</td><td></td><td></td><td></td><td>26</td><td>25</td><td></td><td>23</td><td>22</td><td>21</td><td>20</td><td></td><td></td><td>17</td></tr> <tr><td colspan="2"></td><td></td><td></td><td>15</td><td>14</td><td>13</td><td></td><td></td><td></td><td>10</td><td>9</td><td></td><td>7</td><td>6</td><td>5</td><td>4</td><td></td><td></td><td>1</td></tr> </table>	72		70		68		66			63	62			59	58	57				53	52	51			48	47	46		44		42		40	39						34	33	73				32		30				26	25		23	22	21	20			17					15	14	13				10	9		7	6	5	4			1				
72		70		68		66			63	62			59	58	57				53																																																																								
52	51			48	47	46		44		42		40	39						34	33																																																																							
73				32		30				26	25		23	22	21	20			17																																																																								
				15	14	13				10	9		7	6	5	4			1																																																																								
AVAILABLE	NOT APPLICABLE	34566-4193	0	C	BLUE	<table border="1"> <tr><td></td><td>71</td><td></td><td>69</td><td></td><td></td><td></td><td></td><td>65</td><td>64</td><td></td><td></td><td>61</td><td>60</td><td></td><td>58</td><td></td><td>56</td><td>55</td><td>54</td><td></td></tr> <tr><td></td><td></td><td>50</td><td>49</td><td></td><td></td><td></td><td></td><td>45</td><td>43</td><td></td><td></td><td>41</td><td></td><td></td><td>38</td><td>37</td><td>36</td><td>35</td><td></td><td></td></tr> <tr><td colspan="2">73</td><td></td><td></td><td></td><td>31</td><td></td><td></td><td>29</td><td>28</td><td></td><td></td><td></td><td>24</td><td>23</td><td></td><td></td><td>20</td><td>19</td><td>18</td><td>17</td></tr> <tr><td colspan="2"></td><td></td><td></td><td>16</td><td></td><td></td><td></td><td>13</td><td>12</td><td>11</td><td></td><td></td><td>8</td><td>7</td><td></td><td></td><td>3</td><td>2</td><td>1</td><td></td></tr> </table>		71		69					65	64			61	60		58		56	55	54				50	49					45	43			41			38	37	36	35			73					31			29	28				24	23			20	19	18	17					16				13	12	11			8	7			3	2	1		
	71		69					65	64			61	60		58		56	55	54																																																																								
		50	49					45	43			41			38	37	36	35																																																																									
73					31			29	28				24	23			20	19	18	17																																																																							
				16				13	12	11			8	7			3	2	1																																																																								
AVAILABLE	NOT APPLICABLE	34566-4213	0	A	BLACK	<table border="1"> <tr><td>72</td><td>71</td><td></td><td></td><td>68</td><td>67</td><td>66</td><td>65</td><td>64</td><td></td><td></td><td></td><td>60</td><td>59</td><td>58</td><td></td><td></td><td></td><td></td><td></td><td></td></tr> <tr><td></td><td></td><td>50</td><td></td><td>48</td><td>47</td><td>46</td><td>45</td><td></td><td></td><td></td><td></td><td>40</td><td>39</td><td>38</td><td></td><td></td><td></td><td>35</td><td></td><td></td></tr> <tr><td colspan="2">73</td><td></td><td></td><td></td><td>31</td><td>30</td><td></td><td></td><td></td><td></td><td></td><td>25</td><td>24</td><td></td><td>22</td><td>21</td><td>20</td><td></td><td></td><td>17</td></tr> <tr><td colspan="2"></td><td></td><td></td><td></td><td></td><td>14</td><td></td><td></td><td></td><td></td><td></td><td>9</td><td>7</td><td>6</td><td>5</td><td>4</td><td></td><td></td><td>2</td><td>1</td></tr> </table>	72	71			68	67	66	65	64				60	59	58									50		48	47	46	45					40	39	38				35			73					31	30						25	24		22	21	20			17							14						9	7	6	5	4			2	1	
72	71			68	67	66	65	64				60	59	58																																																																													
		50		48	47	46	45					40	39	38				35																																																																									
73					31	30						25	24		22	21	20			17																																																																							
						14						9	7	6	5	4			2	1																																																																							
AVAILABLE	NOT APPLICABLE	34566-4223	0	A	BLACK	<table border="1"> <tr><td>72</td><td>71</td><td></td><td></td><td>68</td><td>67</td><td>66</td><td>65</td><td>64</td><td></td><td></td><td></td><td>60</td><td>59</td><td></td><td></td><td></td><td></td><td></td><td></td><td></td></tr> <tr><td></td><td></td><td>50</td><td></td><td>48</td><td>47</td><td>46</td><td>45</td><td></td><td></td><td></td><td></td><td>40</td><td>39</td><td>38</td><td></td><td></td><td></td><td>35</td><td></td><td>33</td></tr> <tr><td colspan="2">73</td><td></td><td></td><td></td><td>31</td><td>30</td><td></td><td></td><td></td><td></td><td></td><td>25</td><td>24</td><td>23</td><td>22</td><td>21</td><td>20</td><td></td><td></td><td>17</td></tr> <tr><td colspan="2"></td><td></td><td></td><td></td><td></td><td>14</td><td></td><td></td><td></td><td></td><td></td><td>9</td><td>8</td><td>7</td><td>6</td><td>5</td><td>4</td><td></td><td></td><td>2</td><td>1</td></tr> </table>	72	71			68	67	66	65	64				60	59										50		48	47	46	45					40	39	38				35		33	73					31	30						25	24	23	22	21	20			17							14						9	8	7	6	5	4			2	1
72	71			68	67	66	65	64				60	59																																																																														
		50		48	47	46	45					40	39	38				35		33																																																																							
73					31	30						25	24	23	22	21	20			17																																																																							
						14						9	8	7	6	5	4			2	1																																																																						
AVAILABLE	NOT APPLICABLE	34566-4233	0	B	ST GRY	<table border="1"> <tr><td></td><td></td><td></td><td>69</td><td></td><td></td><td></td><td></td><td>65</td><td>64</td><td>63</td><td></td><td></td><td></td><td></td><td></td><td></td><td></td><td></td><td></td><td></td></tr> <tr><td></td><td></td><td></td><td>49</td><td></td><td></td><td></td><td></td><td>45</td><td>44</td><td>43</td><td></td><td></td><td></td><td></td><td></td><td></td><td></td><td></td><td></td><td></td></tr> <tr><td colspan="2">73</td><td></td><td></td><td></td><td></td><td></td><td></td><td></td><td></td><td></td><td></td><td></td><td></td><td>23</td><td>22</td><td>21</td><td>20</td><td>19</td><td>18</td><td></td></tr> <tr><td colspan="2"></td><td></td><td></td><td></td><td></td><td></td><td></td><td></td><td></td><td>12</td><td>11</td><td></td><td>9</td><td>7</td><td>6</td><td>5</td><td>4</td><td>3</td><td></td><td></td></tr> </table>				69					65	64	63														49					45	44	43											73														23	22	21	20	19	18												12	11		9	7	6	5	4	3			
			69					65	64	63																																																																																	
			49					45	44	43																																																																																	
73														23	22	21	20	19	18																																																																								
										12	11		9	7	6	5	4	3																																																																									
AVAILABLE	NOT APPLICABLE	34566-4243	0	A	BLACK	<table border="1"> <tr><td></td><td>51</td><td>50</td><td></td><td></td><td></td><td>47</td><td>46</td><td></td><td></td><td></td><td></td><td>61</td><td></td><td></td><td>58</td><td>57</td><td>56</td><td></td><td></td><td></td></tr> <tr><td colspan="2">73</td><td></td><td></td><td></td><td></td><td>31</td><td>30</td><td></td><td></td><td></td><td></td><td>26</td><td></td><td></td><td>22</td><td>21</td><td>20</td><td></td><td></td><td></td></tr> <tr><td colspan="2"></td><td></td><td></td><td></td><td></td><td>15</td><td>14</td><td></td><td></td><td></td><td></td><td>10</td><td></td><td></td><td></td><td></td><td></td><td></td><td></td><td></td></tr> </table>		51	50				47	46					61			58	57	56				73						31	30					26			22	21	20										15	14					10																														
	51	50				47	46					61			58	57	56																																																																										
73						31	30					26			22	21	20																																																																										
						15	14					10																																																																															
AVAILABLE	NOT APPLICABLE	34566-4253	0	A	BLACK	<table border="1"> <tr><td></td><td>51</td><td>50</td><td></td><td></td><td></td><td>47</td><td>46</td><td>45</td><td></td><td></td><td></td><td>61</td><td></td><td></td><td>58</td><td>57</td><td>56</td><td></td><td></td><td></td></tr> <tr><td colspan="2">73</td><td></td><td></td><td></td><td></td><td>31</td><td>30</td><td></td><td></td><td></td><td></td><td>26</td><td></td><td></td><td>22</td><td>21</td><td>20</td><td></td><td></td><td></td></tr> <tr><td colspan="2"></td><td></td><td></td><td></td><td></td><td>15</td><td>14</td><td></td><td></td><td></td><td></td><td>10</td><td></td><td></td><td></td><td></td><td></td><td></td><td></td><td></td></tr> </table>		51	50				47	46	45				61			58	57	56				73						31	30					26			22	21	20										15	14					10																														
	51	50				47	46	45				61			58	57	56																																																																										
73						31	30					26			22	21	20																																																																										
						15	14					10																																																																															
AVAILABLE	NOT APPLICABLE	34566-4263	0	B	ST GRY	<table border="1"> <tr><td>72</td><td>71</td><td>70</td><td>69</td><td>68</td><td></td><td></td><td></td><td>65</td><td>64</td><td></td><td>62</td><td>61</td><td>60</td><td></td><td></td><td></td><td></td><td></td><td></td><td>54</td></tr> <tr><td>52</td><td>51</td><td></td><td></td><td></td><td></td><td>47</td><td>46</td><td></td><td>44</td><td></td><td>42</td><td>41</td><td>40</td><td></td><td></td><td></td><td></td><td></td><td></td><td></td></tr> <tr><td colspan="2">73</td><td></td><td></td><td></td><td></td><td>32</td><td>31</td><td>30</td><td></td><td>28</td><td>26</td><td>25</td><td>24</td><td></td><td></td><td></td><td>20</td><td>19</td><td></td><td>17</td></tr> <tr><td colspan="2"></td><td></td><td></td><td></td><td></td><td></td><td></td><td></td><td>12</td><td>11</td><td>10</td><td>9</td><td></td><td></td><td></td><td></td><td></td><td></td><td>2</td><td>1</td></tr> </table>	72	71	70	69	68				65	64		62	61	60							54	52	51					47	46		44		42	41	40								73						32	31	30		28	26	25	24				20	19		17										12	11	10	9							2	1	
72	71	70	69	68				65	64		62	61	60							54																																																																							
52	51					47	46		44		42	41	40																																																																														
73						32	31	30		28	26	25	24				20	19		17																																																																							
									12	11	10	9							2	1																																																																							
AVAILABLE	NOT APPLICABLE	34566-4273	0	B	ST GRY	<table border="1"> <tr><td>72</td><td>71</td><td>70</td><td>69</td><td>68</td><td>67</td><td>66</td><td>65</td><td>64</td><td></td><td>62</td><td>61</td><td>60</td><td></td><td></td><td></td><td></td><td></td><td></td><td></td><td>54</td></tr> <tr><td>52</td><td>51</td><td></td><td></td><td></td><td>47</td><td>46</td><td>45</td><td>44</td><td></td><td>42</td><td>41</td><td>40</td><td></td><td></td><td></td><td></td><td></td><td></td><td></td><td></td></tr> <tr><td colspan="2">73</td><td></td><td></td><td></td><td></td><td>32</td><td>31</td><td>30</td><td></td><td>28</td><td>26</td><td>25</td><td>24</td><td></td><td></td><td></td><td>20</td><td>19</td><td></td><td>17</td></tr> <tr><td colspan="2"></td><td></td><td></td><td></td><td></td><td></td><td></td><td></td><td>13</td><td>12</td><td>11</td><td>10</td><td>9</td><td>8</td><td></td><td></td><td></td><td></td><td></td><td>2</td><td>1</td></tr> </table>	72	71	70	69	68	67	66	65	64		62	61	60								54	52	51				47	46	45	44		42	41	40									73						32	31	30		28	26	25	24				20	19		17										13	12	11	10	9	8						2	1
72	71	70	69	68	67	66	65	64		62	61	60								54																																																																							
52	51				47	46	45	44		42	41	40																																																																															
73						32	31	30		28	26	25	24				20	19		17																																																																							
									13	12	11	10	9	8						2	1																																																																						

QUALITY SYMBOLS = 0 = 0 = 0 = 0 = 0 = 0 = 0 = 0 = 0	THIS DRAWING CONTAINS INFORMATION THAT IS PROPRIETARY TO MOLEX ELECTRONIC TECHNOLOGIES, LLC AND SHOULD NOT BE USED WITHOUT WRITTEN PERMISSION												
	EC NO: 115012	2017/03/27	2017/03/30	GENERAL TOLERANCES (UNLESS SPECIFIED)				DIMENSION UNITS	SCALE	 MX123 66/73/80CKT HRNS CONN ASSY PRODUCT CUSTOMER DRAWING			
	DRWN: TYE			ANGULAR TOL ± °				MM	1:1				
	CHKD:			4 PLACES ±				DRWN BY	DATE				
	REV APPR: JDENG02			3 PLACES ±				SKRAJENDRANA	2011/02/14				
					2 PLACES ±				CHKD BY			DATE	
					1 PLACE ±				MVANSLAMBROU			2011/02/14	
					0 PLACES ±				APPR BY			DATE	
					DRAFT WHERE APPLICABLE MUST REMAIN WITHIN DIMENSIONS				DRAWING SIZE			THIRD ANGLE PROJECTION	
									D				
												SERIES	MATERIAL NUMBER
										34566	SEE BOM TABLE	GENERAL MARKET	
										DOCUMENT NUMBER	DOC TYPE	DOC PART	SHEET NUMBER
										SD-34566-001	PSD	000	49 OF 92

STATUS	GM PART #	MATERIAL #	WIRE DRESS OPTION	KEY OPTION	COLOR (TPA)	NUMBERS INDICATE CAVITIES OPEN FOR CIRCUITS																																																																																								
AVAILABLE	NOT APPLICABLE	34566-4283	0	A	BLACK	<table border="1"> <tr><td></td><td></td><td>70</td><td>69</td><td></td><td></td><td></td><td></td><td></td><td></td><td>63</td><td>62</td><td>61</td><td>60</td><td></td><td></td><td>57</td><td>56</td><td>55</td><td>54</td><td>53</td></tr> <tr><td>52</td><td>51</td><td></td><td>49</td><td></td><td></td><td></td><td></td><td></td><td>44</td><td>43</td><td>42</td><td>41</td><td></td><td></td><td></td><td>37</td><td>36</td><td></td><td>34</td><td></td></tr> <tr><td colspan="2"></td><td colspan="2">73</td><td></td><td></td><td>32</td><td></td><td>29</td><td>28</td><td>27</td><td>26</td><td></td><td></td><td>23</td><td></td><td></td><td></td><td>19</td><td>18</td><td></td></tr> <tr><td colspan="2"></td><td colspan="2"></td><td>16</td><td>15</td><td></td><td></td><td>13</td><td>12</td><td>11</td><td>10</td><td></td><td>8</td><td></td><td></td><td></td><td></td><td>3</td><td></td><td></td></tr> </table>			70	69							63	62	61	60			57	56	55	54	53	52	51		49						44	43	42	41				37	36		34				73				32		29	28	27	26			23				19	18						16	15			13	12	11	10		8					3						
		70	69							63	62	61	60			57	56	55	54	53																																																																										
52	51		49						44	43	42	41				37	36		34																																																																											
		73				32		29	28	27	26			23				19	18																																																																											
				16	15			13	12	11	10		8					3																																																																												
AVAILABLE	NOT APPLICABLE	34566-4293	0	B	ST GRY	<table border="1"> <tr><td></td><td></td><td></td><td></td><td></td><td></td><td>67</td><td>66</td><td></td><td></td><td>63</td><td></td><td></td><td></td><td>59</td><td>58</td><td>57</td><td>56</td><td>55</td><td></td><td>53</td></tr> <tr><td></td><td></td><td>50</td><td>49</td><td>48</td><td></td><td></td><td></td><td>45</td><td>43</td><td></td><td></td><td></td><td></td><td>39</td><td>38</td><td>37</td><td>36</td><td>35</td><td>34</td><td>33</td></tr> <tr><td colspan="2"></td><td colspan="2">73</td><td></td><td></td><td></td><td></td><td>29</td><td>27</td><td></td><td></td><td></td><td></td><td>23</td><td>22</td><td>21</td><td></td><td></td><td>18</td><td></td></tr> <tr><td colspan="2"></td><td colspan="2"></td><td>16</td><td>15</td><td>14</td><td>13</td><td></td><td></td><td></td><td></td><td></td><td>8</td><td>7</td><td>6</td><td>5</td><td>4</td><td>3</td><td></td><td></td></tr> </table>							67	66			63				59	58	57	56	55		53			50	49	48				45	43					39	38	37	36	35	34	33			73						29	27					23	22	21			18						16	15	14	13						8	7	6	5	4	3						
						67	66			63				59	58	57	56	55		53																																																																										
		50	49	48				45	43					39	38	37	36	35	34	33																																																																										
		73						29	27					23	22	21			18																																																																											
				16	15	14	13						8	7	6	5	4	3																																																																												
AVAILABLE	NOT APPLICABLE	34566-4313	0	B	ST GRY	<table border="1"> <tr><td></td><td></td><td></td><td></td><td></td><td></td><td></td><td></td><td></td><td></td><td>63</td><td></td><td></td><td></td><td>59</td><td>58</td><td>57</td><td>56</td><td>55</td><td></td><td>53</td></tr> <tr><td></td><td></td><td>50</td><td>49</td><td>48</td><td></td><td>46</td><td></td><td></td><td></td><td>43</td><td></td><td></td><td></td><td>39</td><td>38</td><td>37</td><td>36</td><td>35</td><td>34</td><td>33</td></tr> <tr><td colspan="2"></td><td colspan="2">73</td><td></td><td></td><td></td><td></td><td>29</td><td>27</td><td></td><td></td><td></td><td></td><td>23</td><td>22</td><td>21</td><td></td><td></td><td>18</td><td></td></tr> <tr><td colspan="2"></td><td colspan="2"></td><td>16</td><td>15</td><td>14</td><td>13</td><td></td><td></td><td></td><td></td><td></td><td>7</td><td>6</td><td>5</td><td>4</td><td>3</td><td></td><td></td><td></td></tr> </table>											63				59	58	57	56	55		53			50	49	48		46				43				39	38	37	36	35	34	33			73						29	27					23	22	21			18						16	15	14	13						7	6	5	4	3							
										63				59	58	57	56	55		53																																																																										
		50	49	48		46				43				39	38	37	36	35	34	33																																																																										
		73						29	27					23	22	21			18																																																																											
				16	15	14	13						7	6	5	4	3																																																																													
AVAILABLE	NOT APPLICABLE	34566-4323	0	B	ST GRY	<table border="1"> <tr><td>72</td><td></td><td>70</td><td></td><td>68</td><td></td><td>66</td><td></td><td></td><td></td><td></td><td></td><td></td><td>60</td><td>59</td><td></td><td></td><td></td><td></td><td>55</td><td>54</td><td>53</td></tr> <tr><td>52</td><td></td><td>50</td><td></td><td>48</td><td></td><td>46</td><td></td><td></td><td></td><td></td><td></td><td></td><td>40</td><td>39</td><td></td><td></td><td></td><td></td><td>35</td><td>34</td><td>33</td></tr> <tr><td colspan="2"></td><td colspan="2">73</td><td></td><td></td><td>32</td><td>31</td><td>30</td><td>29</td><td>28</td><td>27</td><td>26</td><td>25</td><td>24</td><td></td><td></td><td></td><td></td><td>19</td><td>18</td><td>17</td></tr> <tr><td colspan="2"></td><td colspan="2"></td><td>16</td><td></td><td></td><td></td><td></td><td></td><td></td><td></td><td>10</td><td>8</td><td>7</td><td></td><td></td><td></td><td></td><td>2</td><td>1</td><td></td></tr> </table>	72		70		68		66							60	59					55	54	53	52		50		48		46							40	39					35	34	33			73				32	31	30	29	28	27	26	25	24					19	18	17					16								10	8	7					2	1	
72		70		68		66							60	59					55	54	53																																																																									
52		50		48		46							40	39					35	34	33																																																																									
		73				32	31	30	29	28	27	26	25	24					19	18	17																																																																									
				16								10	8	7					2	1																																																																										
AVAILABLE	NOT APPLICABLE	34566-4333	0	A	BLACK	<table border="1"> <tr><td>72</td><td>71</td><td>70</td><td>69</td><td></td><td>67</td><td></td><td></td><td>64</td><td>63</td><td></td><td></td><td></td><td>60</td><td>59</td><td></td><td></td><td></td><td>56</td><td>55</td><td>54</td><td>53</td></tr> <tr><td>52</td><td>51</td><td></td><td>49</td><td></td><td>47</td><td></td><td>45</td><td>44</td><td>43</td><td>42</td><td>41</td><td></td><td></td><td></td><td>38</td><td></td><td></td><td>36</td><td></td><td>34</td><td></td></tr> <tr><td colspan="2"></td><td colspan="2">73</td><td></td><td></td><td>32</td><td></td><td>30</td><td>28</td><td>26</td><td>25</td><td></td><td></td><td>23</td><td></td><td></td><td></td><td></td><td>19</td><td>18</td><td></td></tr> <tr><td colspan="2"></td><td colspan="2"></td><td>16</td><td>15</td><td></td><td></td><td>12</td><td>10</td><td>9</td><td></td><td></td><td></td><td></td><td></td><td></td><td></td><td></td><td>3</td><td></td><td></td></tr> </table>	72	71	70	69		67			64	63				60	59				56	55	54	53	52	51		49		47		45	44	43	42	41				38			36		34				73				32		30	28	26	25			23					19	18						16	15			12	10	9									3		
72	71	70	69		67			64	63				60	59				56	55	54	53																																																																									
52	51		49		47		45	44	43	42	41				38			36		34																																																																										
		73				32		30	28	26	25			23					19	18																																																																										
				16	15			12	10	9									3																																																																											
AVAILABLE	NOT APPLICABLE	34566-4343	0	A	BLACK	<table border="1"> <tr><td>72</td><td>71</td><td>70</td><td>69</td><td></td><td></td><td></td><td></td><td>64</td><td>63</td><td></td><td></td><td></td><td>60</td><td>59</td><td>58</td><td></td><td></td><td>56</td><td>55</td><td>54</td><td>53</td></tr> <tr><td>52</td><td>51</td><td></td><td>49</td><td></td><td>47</td><td></td><td>45</td><td>44</td><td>43</td><td>42</td><td>41</td><td></td><td></td><td></td><td>38</td><td></td><td></td><td>36</td><td></td><td>34</td><td></td></tr> <tr><td colspan="2"></td><td colspan="2">73</td><td></td><td></td><td>32</td><td></td><td>30</td><td>28</td><td>26</td><td>25</td><td></td><td></td><td></td><td></td><td></td><td></td><td></td><td>19</td><td>18</td><td></td></tr> <tr><td colspan="2"></td><td colspan="2"></td><td>16</td><td>15</td><td></td><td></td><td>12</td><td>10</td><td>9</td><td></td><td></td><td></td><td></td><td></td><td></td><td></td><td></td><td>3</td><td></td><td></td></tr> </table>	72	71	70	69					64	63				60	59	58			56	55	54	53	52	51		49		47		45	44	43	42	41				38			36		34				73				32		30	28	26	25								19	18						16	15			12	10	9									3		
72	71	70	69					64	63				60	59	58			56	55	54	53																																																																									
52	51		49		47		45	44	43	42	41				38			36		34																																																																										
		73				32		30	28	26	25								19	18																																																																										
				16	15			12	10	9									3																																																																											
AVAILABLE	NOT APPLICABLE	34566-4353	0	C	BLUE	<table border="1"> <tr><td>72</td><td></td><td>70</td><td></td><td>68</td><td></td><td></td><td></td><td></td><td></td><td>63</td><td>62</td><td></td><td></td><td>59</td><td>58</td><td>57</td><td></td><td></td><td></td><td></td><td>53</td></tr> <tr><td>52</td><td>51</td><td></td><td></td><td>48</td><td>47</td><td></td><td></td><td>44</td><td>42</td><td>40</td><td>39</td><td></td><td></td><td></td><td></td><td></td><td></td><td></td><td></td><td>34</td><td>33</td></tr> <tr><td colspan="2"></td><td colspan="2">73</td><td></td><td></td><td>32</td><td></td><td>30</td><td></td><td>26</td><td>25</td><td></td><td></td><td>23</td><td>22</td><td>21</td><td>20</td><td></td><td></td><td>17</td><td></td></tr> <tr><td colspan="2"></td><td colspan="2"></td><td></td><td></td><td>15</td><td>14</td><td>13</td><td></td><td></td><td></td><td></td><td></td><td>7</td><td>6</td><td>5</td><td>4</td><td></td><td></td><td></td><td>1</td></tr> </table>	72		70		68						63	62			59	58	57					53	52	51			48	47			44	42	40	39									34	33			73				32		30		26	25			23	22	21	20			17								15	14	13						7	6	5	4				1
72		70		68						63	62			59	58	57					53																																																																									
52	51			48	47			44	42	40	39									34	33																																																																									
		73				32		30		26	25			23	22	21	20			17																																																																										
						15	14	13						7	6	5	4				1																																																																									
AVAILABLE	NOT APPLICABLE	34566-4363	0	A	BLACK	<table border="1"> <tr><td></td><td></td><td>70</td><td>69</td><td></td><td></td><td></td><td></td><td></td><td></td><td>63</td><td>62</td><td>61</td><td>60</td><td></td><td></td><td>58</td><td>57</td><td>56</td><td>55</td><td>54</td><td>53</td></tr> <tr><td>52</td><td>51</td><td></td><td>49</td><td></td><td></td><td></td><td></td><td></td><td>44</td><td>43</td><td>42</td><td>41</td><td></td><td></td><td></td><td>37</td><td>36</td><td></td><td>34</td><td></td><td></td></tr> <tr><td colspan="2"></td><td colspan="2">73</td><td></td><td></td><td>32</td><td></td><td>29</td><td>28</td><td>27</td><td>26</td><td></td><td></td><td>23</td><td></td><td></td><td></td><td></td><td>19</td><td>18</td><td></td></tr> <tr><td colspan="2"></td><td colspan="2"></td><td>16</td><td>15</td><td></td><td></td><td>13</td><td>12</td><td>11</td><td>10</td><td></td><td>8</td><td></td><td></td><td></td><td></td><td></td><td>3</td><td></td><td></td></tr> </table>			70	69							63	62	61	60			58	57	56	55	54	53	52	51		49						44	43	42	41				37	36		34					73				32		29	28	27	26			23					19	18						16	15			13	12	11	10		8						3		
		70	69							63	62	61	60			58	57	56	55	54	53																																																																									
52	51		49						44	43	42	41				37	36		34																																																																											
		73				32		29	28	27	26			23					19	18																																																																										
				16	15			13	12	11	10		8						3																																																																											
AVAILABLE	NOT APPLICABLE	34566-4373	0	A	BLACK	<table border="1"> <tr><td></td><td></td><td>70</td><td>69</td><td></td><td></td><td></td><td></td><td></td><td></td><td>63</td><td></td><td></td><td></td><td></td><td></td><td>58</td><td></td><td>56</td><td></td><td>54</td><td></td></tr> <tr><td>52</td><td>51</td><td></td><td>49</td><td></td><td>47</td><td></td><td></td><td>44</td><td>43</td><td>42</td><td>41</td><td>40</td><td></td><td></td><td></td><td></td><td></td><td>36</td><td></td><td>34</td><td></td></tr> <tr><td colspan="2"></td><td colspan="2">73</td><td></td><td></td><td>32</td><td></td><td>28</td><td>26</td><td></td><td></td><td></td><td></td><td></td><td></td><td></td><td></td><td></td><td>19</td><td>18</td><td>17</td></tr> <tr><td colspan="2"></td><td colspan="2"></td><td>16</td><td></td><td></td><td></td><td>12</td><td>10</td><td></td><td></td><td></td><td></td><td></td><td></td><td></td><td></td><td></td><td>3</td><td>2</td><td>1</td></tr> </table>			70	69							63						58		56		54		52	51		49		47			44	43	42	41	40						36		34				73				32		28	26										19	18	17					16				12	10										3	2	1
		70	69							63						58		56		54																																																																										
52	51		49		47			44	43	42	41	40						36		34																																																																										
		73				32		28	26										19	18	17																																																																									
				16				12	10										3	2	1																																																																									

QUALITY SYMBOLS = 0 = 0 = 0 = 0 = 0 = 0 = 0 = 0 = 0	THIS DRAWING CONTAINS INFORMATION THAT IS PROPRIETARY TO MOLEX ELECTRONIC TECHNOLOGIES, LLC AND SHOULD NOT BE USED WITHOUT WRITTEN PERMISSION											
	EC NO: 115012	DRWN: TYE	CHKD: JDENG02	REV: APPR: JDENG02	2017/03/27	2017/03/30	GENERAL TOLERANCES (UNLESS SPECIFIED)		DIMENSION UNITS	SCALE	 MX123 66/73/80CKT HRNS CONN ASSY PRODUCT CUSTOMER DRAWING SERIES: 34566 MATERIAL NUMBER: SEE BOM TABLE CUSTOMER: GENERAL MARKET DOCUMENT NUMBER: SD-34566-001 DOC TYPE: PSD DOC PART: 000 SHEET NUMBER: 50 OF 92	
	ANGULAR TOL ±						4 PLACES ±		MM	1:1		
	3 PLACES ±						3 PLACES ±		DRWN BY	DATE		
	2 PLACES ±						2 PLACES ±		SKRAJENDRANA	2011/02/14		
	1 PLACE ±						1 PLACE ±		CHKD BY	DATE		
	0 PLACES ±						0 PLACES ±		MVANSLAMBROU	2011/02/14		
	DRAFT WHERE APPLICABLE MUST REMAIN WITHIN DIMENSIONS						DRAFT WHERE APPLICABLE MUST REMAIN WITHIN DIMENSIONS		APPR BY	DATE		
	D						D		DRAWING SIZE	THIRD ANGLE PROJECTION		

STATUS	GM PART #	MATERIAL #	WIRE DRESS OPTION	KEY OPTION	COLOR (TPA)	NUMBERS INDICATE CAVITIES OPEN FOR CIRCUITS																																																																																
AVAILABLE	NOT APPLICABLE	34566-4383	0	H	ST GRY	<table border="1"> <tr><td>79</td><td></td><td></td><td></td><td></td><td>74</td><td>73</td><td>72</td><td>71</td><td></td><td>69</td><td>68</td><td>67</td><td></td><td></td><td>64</td><td>62</td><td>61</td></tr> <tr><td>59</td><td></td><td></td><td></td><td></td><td>54</td><td></td><td>52</td><td></td><td></td><td>49</td><td>48</td><td>47</td><td></td><td></td><td></td><td>42</td><td>41</td></tr> <tr><td></td><td>38</td><td></td><td></td><td></td><td>33</td><td></td><td></td><td></td><td></td><td>29</td><td></td><td>27</td><td></td><td>25</td><td></td><td></td><td></td></tr> <tr><td></td><td>18</td><td></td><td></td><td>15</td><td>14</td><td></td><td></td><td>11</td><td>10</td><td>9</td><td>8</td><td>7</td><td></td><td></td><td></td><td></td><td></td></tr> </table>	79					74	73	72	71		69	68	67			64	62	61	59					54		52			49	48	47				42	41		38				33					29		27		25					18			15	14			11	10	9	8	7													
79					74	73	72	71		69	68	67			64	62	61																																																																					
59					54		52			49	48	47				42	41																																																																					
	38				33					29		27		25																																																																								
	18			15	14			11	10	9	8	7																																																																										
AVAILABLE	NOT APPLICABLE	34566-4393	0	G	BLUE	<table border="1"> <tr><td></td><td>78</td><td>77</td><td></td><td>75</td><td>74</td><td></td><td>72</td><td></td><td>70</td><td>69</td><td></td><td>67</td><td></td><td>65</td><td>64</td><td>63</td><td>62</td></tr> <tr><td>60</td><td>58</td><td>57</td><td></td><td>55</td><td>54</td><td></td><td>52</td><td>51</td><td>50</td><td>49</td><td></td><td>47</td><td></td><td>45</td><td></td><td></td><td></td></tr> <tr><td>40</td><td>38</td><td>37</td><td></td><td></td><td></td><td></td><td>33</td><td>32</td><td>31</td><td></td><td></td><td>27</td><td>26</td><td>25</td><td>24</td><td></td><td></td></tr> <tr><td>20</td><td>18</td><td>17</td><td></td><td></td><td></td><td></td><td></td><td></td><td>10</td><td>9</td><td>8</td><td></td><td>6</td><td>5</td><td></td><td>3</td><td>2</td><td>1</td></tr> </table>		78	77		75	74		72		70	69		67		65	64	63	62	60	58	57		55	54		52	51	50	49		47		45				40	38	37					33	32	31			27	26	25	24			20	18	17							10	9	8		6	5		3	2	1							
	78	77		75	74		72		70	69		67		65	64	63	62																																																																					
60	58	57		55	54		52	51	50	49		47		45																																																																								
40	38	37					33	32	31			27	26	25	24																																																																							
20	18	17							10	9	8		6	5		3	2	1																																																																				
AVAILABLE	NOT APPLICABLE	34566-4413	0	B	ST GRY	<table border="1"> <tr><td></td><td></td><td></td><td></td><td></td><td></td><td></td><td></td><td></td><td>63</td><td></td><td></td><td></td><td>59</td><td>58</td><td>57</td><td>56</td><td>55</td><td>53</td></tr> <tr><td></td><td>50</td><td>49</td><td>48</td><td></td><td>46</td><td></td><td></td><td>43</td><td></td><td></td><td></td><td>39</td><td>38</td><td>37</td><td>36</td><td>35</td><td>34</td><td>33</td></tr> <tr><td></td><td>73</td><td></td><td></td><td></td><td></td><td></td><td>29</td><td>27</td><td></td><td></td><td></td><td>23</td><td>22</td><td>21</td><td></td><td></td><td>18</td><td></td></tr> <tr><td></td><td></td><td></td><td>16</td><td>15</td><td>14</td><td></td><td></td><td></td><td></td><td></td><td></td><td>7</td><td>6</td><td>5</td><td>4</td><td>3</td><td></td><td></td></tr> </table>										63				59	58	57	56	55	53		50	49	48		46			43				39	38	37	36	35	34	33		73						29	27				23	22	21			18					16	15	14							7	6	5	4	3						
									63				59	58	57	56	55	53																																																																				
	50	49	48		46			43				39	38	37	36	35	34	33																																																																				
	73						29	27				23	22	21			18																																																																					
			16	15	14							7	6	5	4	3																																																																						
AVAILABLE	NOT APPLICABLE	34566-4423	9	C	BLUE	<table border="1"> <tr><td>72</td><td>70</td><td></td><td>68</td><td>67</td><td>66</td><td></td><td></td><td>63</td><td>62</td><td></td><td></td><td>59</td><td>57</td><td></td><td></td><td></td><td>53</td></tr> <tr><td>52</td><td>51</td><td></td><td>48</td><td>47</td><td>46</td><td></td><td>44</td><td></td><td>42</td><td></td><td>40</td><td>39</td><td>38</td><td>37</td><td>36</td><td></td><td>34</td><td>33</td></tr> <tr><td></td><td>73</td><td></td><td>32</td><td></td><td>30</td><td></td><td></td><td>27</td><td>26</td><td>25</td><td>24</td><td></td><td>22</td><td>21</td><td></td><td></td><td></td><td></td></tr> <tr><td></td><td></td><td></td><td></td><td>15</td><td>14</td><td></td><td></td><td></td><td>10</td><td>9</td><td>8</td><td></td><td>6</td><td>5</td><td>4</td><td></td><td></td><td>2</td></tr> </table>	72	70		68	67	66			63	62			59	57				53	52	51		48	47	46		44		42		40	39	38	37	36		34	33		73		32		30			27	26	25	24		22	21									15	14				10	9	8		6	5	4			2					
72	70		68	67	66			63	62			59	57				53																																																																					
52	51		48	47	46		44		42		40	39	38	37	36		34	33																																																																				
	73		32		30			27	26	25	24		22	21																																																																								
				15	14				10	9	8		6	5	4			2																																																																				
AVAILABLE	NOT APPLICABLE	34566-4433	9	A	BLACK	<table border="1"> <tr><td></td><td>70</td><td>69</td><td></td><td></td><td></td><td></td><td></td><td>63</td><td>62</td><td>61</td><td>60</td><td></td><td>58</td><td>57</td><td>56</td><td>55</td><td>54</td><td>53</td></tr> <tr><td>52</td><td>51</td><td>50</td><td>49</td><td></td><td></td><td></td><td>44</td><td>43</td><td>42</td><td>41</td><td>40</td><td></td><td></td><td>37</td><td>36</td><td></td><td>34</td><td></td></tr> <tr><td></td><td>73</td><td></td><td></td><td>32</td><td></td><td></td><td>29</td><td>28</td><td>27</td><td>26</td><td></td><td></td><td></td><td></td><td></td><td></td><td>19</td><td>18</td></tr> <tr><td></td><td></td><td></td><td></td><td>16</td><td>15</td><td>14</td><td>13</td><td>12</td><td>11</td><td>10</td><td></td><td></td><td></td><td></td><td></td><td></td><td>3</td><td></td></tr> </table>		70	69						63	62	61	60		58	57	56	55	54	53	52	51	50	49				44	43	42	41	40			37	36		34			73			32			29	28	27	26							19	18					16	15	14	13	12	11	10							3					
	70	69						63	62	61	60		58	57	56	55	54	53																																																																				
52	51	50	49				44	43	42	41	40			37	36		34																																																																					
	73			32			29	28	27	26							19	18																																																																				
				16	15	14	13	12	11	10							3																																																																					
AVAILABLE	NOT APPLICABLE	34566-4443	9	A	BLACK	<table border="1"> <tr><td></td><td></td><td></td><td></td><td>67</td><td>66</td><td></td><td></td><td></td><td></td><td></td><td></td><td></td><td></td><td></td><td></td><td></td><td></td><td></td></tr> <tr><td></td><td></td><td></td><td></td><td>48</td><td>47</td><td></td><td></td><td></td><td></td><td>41</td><td></td><td></td><td></td><td></td><td></td><td></td><td></td><td></td></tr> <tr><td></td><td>73</td><td></td><td>32</td><td>31</td><td>30</td><td>29</td><td></td><td>27</td><td>26</td><td>25</td><td></td><td></td><td>22</td><td>21</td><td></td><td>19</td><td>18</td><td>17</td></tr> <tr><td></td><td></td><td></td><td>16</td><td>15</td><td>14</td><td>13</td><td></td><td>11</td><td>10</td><td>9</td><td>8</td><td>7</td><td>6</td><td>5</td><td>4</td><td>3</td><td></td><td>1</td></tr> </table>					67	66																		48	47					41										73		32	31	30	29		27	26	25			22	21		19	18	17				16	15	14	13		11	10	9	8	7	6	5	4	3		1				
				67	66																																																																																	
				48	47					41																																																																												
	73		32	31	30	29		27	26	25			22	21		19	18	17																																																																				
			16	15	14	13		11	10	9	8	7	6	5	4	3		1																																																																				
AVAILABLE	NOT APPLICABLE	34566-4453	0	A	BLACK	<table border="1"> <tr><td>72</td><td>71</td><td>70</td><td>69</td><td>68</td><td></td><td></td><td>65</td><td>64</td><td>63</td><td>62</td><td>61</td><td>60</td><td>59</td><td>58</td><td>57</td><td>56</td><td>55</td><td>54</td><td>53</td></tr> <tr><td>52</td><td>51</td><td>50</td><td>49</td><td>48</td><td></td><td>46</td><td>45</td><td>44</td><td>43</td><td>42</td><td></td><td>40</td><td>39</td><td>38</td><td>37</td><td>36</td><td>35</td><td>34</td><td>33</td></tr> <tr><td></td><td>73</td><td></td><td></td><td></td><td></td><td></td><td></td><td>28</td><td></td><td></td><td></td><td>24</td><td>23</td><td></td><td></td><td>20</td><td></td><td></td><td></td></tr> <tr><td></td><td></td><td></td><td></td><td></td><td></td><td></td><td></td><td>12</td><td>11</td><td></td><td></td><td></td><td></td><td></td><td></td><td></td><td></td><td>2</td><td>1</td></tr> </table>	72	71	70	69	68			65	64	63	62	61	60	59	58	57	56	55	54	53	52	51	50	49	48		46	45	44	43	42		40	39	38	37	36	35	34	33		73							28				24	23			20												12	11									2	1
72	71	70	69	68			65	64	63	62	61	60	59	58	57	56	55	54	53																																																																			
52	51	50	49	48		46	45	44	43	42		40	39	38	37	36	35	34	33																																																																			
	73							28				24	23			20																																																																						
								12	11									2	1																																																																			
AVAILABLE	NOT APPLICABLE	34566-4463	9	B	ST GRY	<table border="1"> <tr><td></td><td></td><td></td><td></td><td></td><td></td><td></td><td></td><td>63</td><td></td><td></td><td></td><td></td><td></td><td></td><td></td><td></td><td></td><td>53</td></tr> <tr><td></td><td></td><td></td><td>48</td><td>47</td><td></td><td>45</td><td></td><td>43</td><td>42</td><td></td><td></td><td>39</td><td></td><td></td><td></td><td>35</td><td>34</td><td>33</td></tr> <tr><td></td><td>73</td><td></td><td></td><td></td><td></td><td></td><td></td><td></td><td>26</td><td></td><td></td><td>23</td><td>22</td><td></td><td></td><td>19</td><td></td><td></td></tr> <tr><td></td><td></td><td></td><td></td><td></td><td></td><td></td><td></td><td>11</td><td></td><td></td><td></td><td></td><td></td><td></td><td></td><td></td><td></td><td>1</td></tr> </table>									63										53				48	47		45		43	42			39				35	34	33		73								26			23	22			19											11										1				
								63										53																																																																				
			48	47		45		43	42			39				35	34	33																																																																				
	73								26			23	22			19																																																																						
								11										1																																																																				
AVAILABLE	NOT APPLICABLE	34566-4473	0	B	ST GRY	<table border="1"> <tr><td></td><td></td><td></td><td></td><td></td><td></td><td>64</td><td>63</td><td>62</td><td></td><td>59</td><td>58</td><td></td><td></td><td></td><td></td><td></td><td>35</td><td>34</td><td>33</td></tr> <tr><td></td><td></td><td></td><td>47</td><td>45</td><td></td><td>43</td><td>42</td><td></td><td></td><td>39</td><td></td><td></td><td></td><td></td><td></td><td></td><td></td><td></td><td></td></tr> <tr><td></td><td>73</td><td></td><td></td><td></td><td></td><td></td><td>26</td><td>25</td><td></td><td>23</td><td>22</td><td></td><td></td><td></td><td></td><td></td><td></td><td></td><td></td></tr> <tr><td></td><td></td><td></td><td></td><td></td><td></td><td></td><td></td><td></td><td></td><td></td><td></td><td></td><td></td><td></td><td></td><td>3</td><td></td><td></td><td>1</td></tr> </table>							64	63	62		59	58						35	34	33				47	45		43	42			39											73						26	25		23	22																									3			1
						64	63	62		59	58						35	34	33																																																																			
			47	45		43	42			39																																																																												
	73						26	25		23	22																																																																											
																3			1																																																																			

QUALITY SYMBOLS = 0 = 0 = 0 = 0 = 0 = 0 = 0 = 0 = 0	THIS DRAWING CONTAINS INFORMATION THAT IS PROPRIETARY TO MOLEX ELECTRONIC TECHNOLOGIES, LLC AND SHOULD NOT BE USED WITHOUT WRITTEN PERMISSION									
	2017/03/27	GENERAL TOLERANCES (UNLESS SPECIFIED)		DIMENSION UNITS	SCALE					
	2017/03/30	ANGULAR TOL ± °		MM	1:1					
	EC NO: 115012 DRWN: TYE CHKD: REV APPR: JDENG02	4 PLACES ±	SKRAJENDRANA		DATE	MX123 66/73/80CKT HRNS CONN ASSY PRODUCT CUSTOMER DRAWING				
		3 PLACES ±	MVANSLAMBROU		DATE					
		2 PLACES ±			DATE					
		1 PLACE ±			DATE					
		0 PLACES ±			DATE					
	DRAFT WHERE APPLICABLE MUST REMAIN WITHIN DIMENSIONS	DRAWING SIZE	THIRD ANGLE PROJECTION		SERIES: 34566 MATERIAL NUMBER: SEE BOM TABLE CUSTOMER: GENERAL MARKET					
		D			DOCUMENT NUMBER: SD-34566-001 DOC TYPE: PSD DOC PART: 000 SHEET NUMBER: 51 OF 92					

STATUS	GM PART #	MATERIAL #	WIRE DRESS OPTION	KEY OPTION	COLOR (TPA)	NUMBERS INDICATE CAVITIES OPEN FOR CIRCUITS																																																																																	
AVAILABLE	NOT APPLICABLE	34566-4483	9	C	BLUE	<table border="1"> <tr><td>72</td><td></td><td>70</td><td>68</td><td>67</td><td>66</td><td></td><td></td><td>63</td><td>62</td><td></td><td></td><td>59</td><td>58</td><td>57</td><td>56</td><td>55</td><td></td><td>53</td></tr> <tr><td>52</td><td>51</td><td></td><td>49</td><td>48</td><td>47</td><td>46</td><td></td><td>44</td><td></td><td></td><td></td><td>40</td><td>39</td><td>38</td><td>37</td><td>36</td><td></td><td>34</td><td>33</td></tr> <tr><td colspan="3">73</td><td></td><td>32</td><td></td><td>30</td><td></td><td></td><td>27</td><td>26</td><td>25</td><td>24</td><td>23</td><td>22</td><td>21</td><td>20</td><td>19</td><td>18</td><td>17</td></tr> <tr><td colspan="3"></td><td></td><td>15</td><td>14</td><td>13</td><td></td><td></td><td>10</td><td>9</td><td>8</td><td>7</td><td>6</td><td>5</td><td>4</td><td>3</td><td>2</td><td>1</td><td></td></tr> </table>	72		70	68	67	66			63	62			59	58	57	56	55		53	52	51		49	48	47	46		44				40	39	38	37	36		34	33	73				32		30			27	26	25	24	23	22	21	20	19	18	17					15	14	13			10	9	8	7	6	5	4	3	2	1			
72		70	68	67	66			63	62			59	58	57	56	55		53																																																																					
52	51		49	48	47	46		44				40	39	38	37	36		34	33																																																																				
73				32		30			27	26	25	24	23	22	21	20	19	18	17																																																																				
				15	14	13			10	9	8	7	6	5	4	3	2	1																																																																					
AVAILABLE	NOT APPLICABLE	34566-4493	9	A	BLACK	<table border="1"> <tr><td>72</td><td>71</td><td>70</td><td>69</td><td></td><td>67</td><td></td><td></td><td>64</td><td>63</td><td>62</td><td>61</td><td>60</td><td>59</td><td>58</td><td>57</td><td>56</td><td>55</td><td>54</td><td>53</td></tr> <tr><td>52</td><td>51</td><td>50</td><td>49</td><td>48</td><td>47</td><td></td><td>45</td><td>44</td><td>43</td><td>42</td><td>41</td><td>40</td><td>39</td><td></td><td>37</td><td>36</td><td></td><td>34</td><td></td></tr> <tr><td colspan="3">73</td><td></td><td>32</td><td></td><td>30</td><td>29</td><td>28</td><td>27</td><td>26</td><td></td><td>24</td><td>23</td><td></td><td>21</td><td></td><td>19</td><td>18</td><td>17</td></tr> <tr><td colspan="3"></td><td></td><td>16</td><td>15</td><td>14</td><td>13</td><td>12</td><td>11</td><td>10</td><td></td><td>8</td><td></td><td></td><td>5</td><td></td><td>3</td><td>2</td><td>1</td></tr> </table>	72	71	70	69		67			64	63	62	61	60	59	58	57	56	55	54	53	52	51	50	49	48	47		45	44	43	42	41	40	39		37	36		34		73				32		30	29	28	27	26		24	23		21		19	18	17					16	15	14	13	12	11	10		8			5		3	2	1	
72	71	70	69		67			64	63	62	61	60	59	58	57	56	55	54	53																																																																				
52	51	50	49	48	47		45	44	43	42	41	40	39		37	36		34																																																																					
73				32		30	29	28	27	26		24	23		21		19	18	17																																																																				
				16	15	14	13	12	11	10		8			5		3	2	1																																																																				
AVAILABLE	NOT APPLICABLE	34566-4513	9	B	ST GRY	<table border="1"> <tr><td>72</td><td>71</td><td>70</td><td></td><td>68</td><td>67</td><td>66</td><td></td><td></td><td></td><td>62</td><td>61</td><td>60</td><td>59</td><td>58</td><td>57</td><td>56</td><td>55</td><td>54</td><td>53</td></tr> <tr><td>52</td><td>51</td><td>50</td><td></td><td>48</td><td>47</td><td>46</td><td></td><td></td><td></td><td>42</td><td>41</td><td>40</td><td>39</td><td>38</td><td>37</td><td>36</td><td>35</td><td>34</td><td>33</td></tr> <tr><td colspan="3">73</td><td></td><td>32</td><td>31</td><td>30</td><td>29</td><td>28</td><td>27</td><td>26</td><td>25</td><td>24</td><td>23</td><td></td><td></td><td></td><td>19</td><td>18</td><td>17</td></tr> <tr><td colspan="3"></td><td></td><td>16</td><td>15</td><td>14</td><td>13</td><td></td><td></td><td>10</td><td></td><td>8</td><td>7</td><td></td><td></td><td></td><td>3</td><td>2</td><td>1</td></tr> </table>	72	71	70		68	67	66				62	61	60	59	58	57	56	55	54	53	52	51	50		48	47	46				42	41	40	39	38	37	36	35	34	33	73				32	31	30	29	28	27	26	25	24	23				19	18	17					16	15	14	13			10		8	7				3	2	1	
72	71	70		68	67	66				62	61	60	59	58	57	56	55	54	53																																																																				
52	51	50		48	47	46				42	41	40	39	38	37	36	35	34	33																																																																				
73				32	31	30	29	28	27	26	25	24	23				19	18	17																																																																				
				16	15	14	13			10		8	7				3	2	1																																																																				
AVAILABLE	NOT APPLICABLE	34566-4523	0	G	BLUE	<table border="1"> <tr><td></td><td></td><td>78</td><td>77</td><td></td><td>75</td><td>74</td><td></td><td>72</td><td></td><td>70</td><td>69</td><td></td><td>67</td><td></td><td>65</td><td>64</td><td>63</td><td>62</td><td></td></tr> <tr><td>60</td><td></td><td>58</td><td>57</td><td></td><td>55</td><td>54</td><td></td><td>52</td><td>51</td><td>50</td><td>49</td><td></td><td>47</td><td></td><td>45</td><td></td><td></td><td></td><td></td></tr> <tr><td>40</td><td></td><td>38</td><td>37</td><td></td><td></td><td></td><td></td><td></td><td>31</td><td></td><td></td><td></td><td>27</td><td>26</td><td>25</td><td>24</td><td></td><td></td><td></td></tr> <tr><td>20</td><td></td><td>18</td><td>17</td><td></td><td></td><td></td><td></td><td></td><td></td><td>10</td><td>9</td><td>8</td><td></td><td>6</td><td>5</td><td></td><td></td><td>3</td><td>2</td><td>1</td></tr> </table>			78	77		75	74		72		70	69		67		65	64	63	62		60		58	57		55	54		52	51	50	49		47		45					40		38	37						31				27	26	25	24				20		18	17							10	9	8		6	5			3	2	1
		78	77		75	74		72		70	69		67		65	64	63	62																																																																					
60		58	57		55	54		52	51	50	49		47		45																																																																								
40		38	37						31				27	26	25	24																																																																							
20		18	17							10	9	8		6	5			3	2	1																																																																			
AVAILABLE	NOT APPLICABLE	34566-4533	0	A	BLACK	<table border="1"> <tr><td>72</td><td></td><td></td><td>69</td><td>67</td><td></td><td>65</td><td></td><td>63</td><td></td><td></td><td></td><td>60</td><td></td><td></td><td>57</td><td>56</td><td></td><td></td><td>53</td></tr> <tr><td></td><td></td><td></td><td>49</td><td>47</td><td></td><td>44</td><td>43</td><td></td><td></td><td></td><td></td><td>40</td><td></td><td></td><td>37</td><td>36</td><td>35</td><td></td><td>33</td></tr> <tr><td colspan="3">73</td><td></td><td>31</td><td>30</td><td>29</td><td>28</td><td></td><td></td><td></td><td>24</td><td></td><td></td><td>21</td><td>20</td><td></td><td></td><td></td><td>17</td></tr> <tr><td colspan="3"></td><td></td><td>16</td><td>15</td><td>14</td><td>13</td><td></td><td>11</td><td>10</td><td></td><td></td><td></td><td>5</td><td>4</td><td>3</td><td>2</td><td>1</td><td></td></tr> </table>	72			69	67		65		63				60			57	56			53				49	47		44	43					40			37	36	35		33	73				31	30	29	28				24			21	20				17					16	15	14	13		11	10				5	4	3	2	1		
72			69	67		65		63				60			57	56			53																																																																				
			49	47		44	43					40			37	36	35		33																																																																				
73				31	30	29	28				24			21	20				17																																																																				
				16	15	14	13		11	10				5	4	3	2	1																																																																					
AVAILABLE	NOT APPLICABLE	34566-4543	0	B	ST GRY	<table border="1"> <tr><td></td><td></td><td></td><td></td><td>68</td><td>67</td><td></td><td></td><td>64</td><td>63</td><td></td><td></td><td></td><td></td><td>58</td><td>57</td><td></td><td>55</td><td>53</td><td></td></tr> <tr><td></td><td></td><td></td><td></td><td></td><td></td><td>46</td><td>45</td><td></td><td>43</td><td></td><td></td><td></td><td></td><td>38</td><td>37</td><td></td><td>35</td><td></td><td></td></tr> <tr><td colspan="3">73</td><td></td><td>32</td><td></td><td>30</td><td>29</td><td>28</td><td>27</td><td></td><td></td><td></td><td></td><td>22</td><td>21</td><td></td><td>19</td><td></td><td>17</td></tr> <tr><td colspan="3"></td><td></td><td></td><td></td><td></td><td></td><td>12</td><td></td><td>10</td><td></td><td></td><td></td><td></td><td></td><td></td><td></td><td></td><td>1</td></tr> </table>					68	67			64	63					58	57		55	53								46	45		43					38	37		35			73				32		30	29	28	27					22	21		19		17									12		10									1	
				68	67			64	63					58	57		55	53																																																																					
						46	45		43					38	37		35																																																																						
73				32		30	29	28	27					22	21		19		17																																																																				
								12		10									1																																																																				
AVAILABLE	NOT APPLICABLE	34566-4553	0	B	ST GRY	<table border="1"> <tr><td></td><td></td><td></td><td></td><td>68</td><td>67</td><td></td><td></td><td>64</td><td>63</td><td></td><td></td><td></td><td></td><td>58</td><td>57</td><td></td><td></td><td></td><td>53</td></tr> <tr><td></td><td></td><td></td><td></td><td></td><td></td><td>46</td><td>45</td><td></td><td>43</td><td></td><td></td><td></td><td></td><td>38</td><td>37</td><td></td><td></td><td></td><td></td></tr> <tr><td colspan="3">73</td><td></td><td>32</td><td></td><td>30</td><td>29</td><td>28</td><td>27</td><td></td><td></td><td></td><td></td><td>22</td><td>21</td><td></td><td></td><td></td><td>17</td></tr> <tr><td colspan="3"></td><td></td><td></td><td></td><td></td><td></td><td>12</td><td></td><td>10</td><td></td><td></td><td></td><td></td><td></td><td></td><td></td><td></td><td></td></tr> </table>					68	67			64	63					58	57				53							46	45		43					38	37					73				32		30	29	28	27					22	21				17									12		10										
				68	67			64	63					58	57				53																																																																				
						46	45		43					38	37																																																																								
73				32		30	29	28	27					22	21				17																																																																				
								12		10																																																																													
AVAILABLE	NOT APPLICABLE	34566-4563	0	B	ST GRY	<table border="1"> <tr><td></td><td></td><td></td><td></td><td>68</td><td>67</td><td></td><td></td><td>64</td><td>63</td><td></td><td></td><td></td><td></td><td>58</td><td></td><td></td><td>55</td><td>53</td><td></td></tr> <tr><td></td><td></td><td></td><td></td><td></td><td></td><td>46</td><td>45</td><td></td><td>43</td><td></td><td></td><td></td><td></td><td>38</td><td></td><td></td><td>35</td><td></td><td></td></tr> <tr><td colspan="3">73</td><td></td><td>32</td><td></td><td>30</td><td>29</td><td>28</td><td>27</td><td></td><td></td><td></td><td></td><td>22</td><td></td><td></td><td>19</td><td></td><td>17</td></tr> <tr><td colspan="3"></td><td></td><td></td><td></td><td></td><td></td><td>12</td><td></td><td>10</td><td></td><td></td><td></td><td></td><td></td><td></td><td></td><td></td><td>1</td></tr> </table>					68	67			64	63					58			55	53								46	45		43					38			35			73				32		30	29	28	27					22			19		17									12		10									1	
				68	67			64	63					58			55	53																																																																					
						46	45		43					38			35																																																																						
73				32		30	29	28	27					22			19		17																																																																				
								12		10									1																																																																				
AVAILABLE	NOT APPLICABLE	34566-4573	0	B	ST GRY	<table border="1"> <tr><td></td><td></td><td></td><td></td><td>68</td><td>67</td><td></td><td></td><td>64</td><td>63</td><td></td><td></td><td></td><td></td><td>58</td><td></td><td></td><td></td><td></td><td>53</td></tr> <tr><td></td><td></td><td></td><td></td><td></td><td></td><td>46</td><td>45</td><td></td><td>43</td><td></td><td></td><td></td><td></td><td>38</td><td></td><td></td><td></td><td></td><td></td></tr> <tr><td colspan="3">73</td><td></td><td>32</td><td></td><td>30</td><td>29</td><td>28</td><td>27</td><td></td><td></td><td></td><td></td><td>22</td><td></td><td></td><td></td><td></td><td>17</td></tr> <tr><td colspan="3"></td><td></td><td></td><td></td><td></td><td></td><td>12</td><td></td><td>10</td><td></td><td></td><td></td><td></td><td></td><td></td><td></td><td></td><td></td></tr> </table>					68	67			64	63					58					53							46	45		43					38						73				32		30	29	28	27					22					17									12		10										
				68	67			64	63					58					53																																																																				
						46	45		43					38																																																																									
73				32		30	29	28	27					22					17																																																																				
								12		10																																																																													

QUALITY SYMBOLS = 0 = 0 = 0 = 0 = 0 = 0 = 0 = 0 = 0	THIS DRAWING CONTAINS INFORMATION THAT IS PROPRIETARY TO MOLEX ELECTRONIC TECHNOLOGIES, LLC AND SHOULD NOT BE USED WITHOUT WRITTEN PERMISSION													
	EC NO: 115012	2017/03/27	2017/03/30	GENERAL TOLERANCES (UNLESS SPECIFIED)				DIMENSION UNITS	SCALE	 MX123 66/73/80CKT HRNS CONN ASSY PRODUCT CUSTOMER DRAWING				
	DRWN: TYE	CHKD: JDENG02		ANGULAR TOL ± °				MM	1:1					
	REV: G49	APPR: JDENG02		4 PLACES ±	SKRAJENDRANA		DATE		2011/02/14					
				3 PLACES ±	MVANSLAMBROU		DATE		2011/02/14					
				2 PLACES ±			APPR BY		DATE					
				1 PLACE ±			DRAWING SIZE		THIRD ANGLE PROJECTION					
				0 PLACES ±			D							
				DRAFT WHERE APPLICABLE MUST REMAIN WITHIN DIMENSIONS										
								SERIES				MATERIAL NUMBER		CUSTOMER
							34566		SEE BOM TABLE			GENERAL MARKET		
							DOCUMENT NUMBER		DOC TYPE		DOC PART SHEET NUMBER			
							SD-34566-001		PSD		000 52 OF 92			

STATUS	GM PART #	MATERIAL #	WIRE DRESS OPTION	KEY OPTION	COLOR (TPA)	NUMBERS INDICATE CAVITIES OPEN FOR CIRCUITS																																																																																				
AVAILABLE	NOT APPLICABLE	34566-4683	9	B	ST GRY	<table border="1"> <tr><td>72</td><td>71</td><td>70</td><td>69</td><td>68</td><td>67</td><td>66</td><td>65</td><td>64</td><td></td><td>62</td><td>61</td><td>60</td><td>59</td><td>58</td><td>57</td><td>56</td><td>55</td><td>54</td></tr> <tr><td>52</td><td>51</td><td>50</td><td>49</td><td></td><td></td><td>46</td><td></td><td>44</td><td></td><td></td><td>41</td><td>40</td><td></td><td>38</td><td>37</td><td>36</td><td></td><td></td></tr> <tr><td colspan="4">73</td><td>32</td><td>31</td><td>30</td><td>29</td><td>28</td><td>27</td><td></td><td>25</td><td>24</td><td></td><td>21</td><td>20</td><td></td><td>18</td><td>17</td></tr> <tr><td colspan="4"></td><td>16</td><td>15</td><td>14</td><td>13</td><td>12</td><td></td><td>10</td><td>9</td><td>8</td><td>7</td><td>6</td><td>5</td><td>4</td><td>3</td><td>2</td></tr> </table>	72	71	70	69	68	67	66	65	64		62	61	60	59	58	57	56	55	54	52	51	50	49			46		44			41	40		38	37	36			73				32	31	30	29	28	27		25	24		21	20		18	17					16	15	14	13	12		10	9	8	7	6	5	4	3	2								
72	71	70	69	68	67	66	65	64		62	61	60	59	58	57	56	55	54																																																																								
52	51	50	49			46		44			41	40		38	37	36																																																																										
73				32	31	30	29	28	27		25	24		21	20		18	17																																																																								
				16	15	14	13	12		10	9	8	7	6	5	4	3	2																																																																								
AVAILABLE	NOT APPLICABLE	34566-4693	0	B	ST GRY	<table border="1"> <tr><td>72</td><td>71</td><td>70</td><td>69</td><td>68</td><td>67</td><td>66</td><td>65</td><td></td><td></td><td>61</td><td>60</td><td></td><td></td><td>57</td><td>56</td><td>55</td><td>54</td><td></td></tr> <tr><td>52</td><td>51</td><td>50</td><td>49</td><td>48</td><td></td><td>46</td><td></td><td>44</td><td></td><td>41</td><td>40</td><td></td><td></td><td>38</td><td>37</td><td>36</td><td></td><td></td></tr> <tr><td colspan="4">73</td><td>32</td><td>31</td><td>30</td><td>29</td><td>28</td><td>27</td><td></td><td>24</td><td></td><td></td><td>21</td><td>20</td><td>19</td><td>18</td><td>17</td></tr> <tr><td colspan="4"></td><td>16</td><td>15</td><td>14</td><td>13</td><td>12</td><td>11</td><td>10</td><td>9</td><td>8</td><td>7</td><td>6</td><td>5</td><td>4</td><td></td><td>2</td></tr> </table>	72	71	70	69	68	67	66	65			61	60			57	56	55	54		52	51	50	49	48		46		44		41	40			38	37	36			73				32	31	30	29	28	27		24			21	20	19	18	17					16	15	14	13	12	11	10	9	8	7	6	5	4		2								
72	71	70	69	68	67	66	65			61	60			57	56	55	54																																																																									
52	51	50	49	48		46		44		41	40			38	37	36																																																																										
73				32	31	30	29	28	27		24			21	20	19	18	17																																																																								
				16	15	14	13	12	11	10	9	8	7	6	5	4		2																																																																								
AVAILABLE	NOT APPLICABLE	34566-4713	0	A	BLACK	<table border="1"> <tr><td>72</td><td>71</td><td>70</td><td>69</td><td></td><td>67</td><td></td><td></td><td>64</td><td>63</td><td></td><td></td><td>60</td><td>59</td><td></td><td></td><td>56</td><td>55</td><td>54</td><td>53</td></tr> <tr><td>52</td><td>51</td><td></td><td>49</td><td></td><td>47</td><td></td><td></td><td>45</td><td>44</td><td>43</td><td>42</td><td>41</td><td></td><td></td><td></td><td>36</td><td></td><td>34</td><td></td></tr> <tr><td colspan="4">73</td><td>32</td><td></td><td>30</td><td></td><td>28</td><td></td><td>26</td><td></td><td></td><td>23</td><td></td><td></td><td></td><td>19</td><td>18</td><td></td></tr> <tr><td colspan="4"></td><td>16</td><td>15</td><td></td><td></td><td>12</td><td></td><td>10</td><td></td><td></td><td></td><td></td><td></td><td></td><td>3</td><td></td><td></td></tr> </table>	72	71	70	69		67			64	63			60	59			56	55	54	53	52	51		49		47			45	44	43	42	41				36		34		73				32		30		28		26			23				19	18						16	15			12		10							3						
72	71	70	69		67			64	63			60	59			56	55	54	53																																																																							
52	51		49		47			45	44	43	42	41				36		34																																																																								
73				32		30		28		26			23				19	18																																																																								
				16	15			12		10							3																																																																									
AVAILABLE	NOT APPLICABLE	34566-4723	0	A	BLACK	<table border="1"> <tr><td>72</td><td>71</td><td>70</td><td>69</td><td></td><td></td><td></td><td></td><td>64</td><td>63</td><td></td><td></td><td>60</td><td>59</td><td>58</td><td></td><td>56</td><td>55</td><td>54</td><td>53</td></tr> <tr><td>52</td><td>51</td><td></td><td>49</td><td></td><td>47</td><td></td><td></td><td>45</td><td>44</td><td>43</td><td>42</td><td>41</td><td></td><td></td><td></td><td>36</td><td></td><td>34</td><td></td></tr> <tr><td colspan="4">73</td><td>32</td><td></td><td>30</td><td></td><td>28</td><td></td><td>26</td><td></td><td></td><td></td><td></td><td></td><td></td><td>19</td><td>18</td><td></td></tr> <tr><td colspan="4"></td><td>16</td><td>15</td><td></td><td></td><td>12</td><td></td><td>10</td><td></td><td></td><td></td><td></td><td></td><td></td><td>3</td><td></td><td></td></tr> </table>	72	71	70	69					64	63			60	59	58		56	55	54	53	52	51		49		47			45	44	43	42	41				36		34		73				32		30		28		26							19	18						16	15			12		10							3						
72	71	70	69					64	63			60	59	58		56	55	54	53																																																																							
52	51		49		47			45	44	43	42	41				36		34																																																																								
73				32		30		28		26							19	18																																																																								
				16	15			12		10							3																																																																									
AVAILABLE	NOT APPLICABLE	34566-4733	0	A	BLACK	<table border="1"> <tr><td>72</td><td>71</td><td>70</td><td>69</td><td></td><td></td><td></td><td></td><td>64</td><td>63</td><td></td><td></td><td>60</td><td>59</td><td>58</td><td></td><td>56</td><td>55</td><td>54</td><td>53</td></tr> <tr><td>52</td><td>51</td><td></td><td>49</td><td></td><td>47</td><td></td><td></td><td>45</td><td>44</td><td>43</td><td>42</td><td>41</td><td></td><td></td><td></td><td>36</td><td></td><td>34</td><td></td></tr> <tr><td colspan="4">73</td><td>32</td><td></td><td>30</td><td></td><td>28</td><td></td><td>26</td><td></td><td></td><td></td><td>21</td><td></td><td>19</td><td>18</td><td></td><td></td></tr> <tr><td colspan="4"></td><td>16</td><td>15</td><td></td><td></td><td>12</td><td></td><td>10</td><td></td><td>8</td><td></td><td>5</td><td></td><td>3</td><td></td><td></td><td></td></tr> </table>	72	71	70	69					64	63			60	59	58		56	55	54	53	52	51		49		47			45	44	43	42	41				36		34		73				32		30		28		26				21		19	18							16	15			12		10		8		5		3							
72	71	70	69					64	63			60	59	58		56	55	54	53																																																																							
52	51		49		47			45	44	43	42	41				36		34																																																																								
73				32		30		28		26				21		19	18																																																																									
				16	15			12		10		8		5		3																																																																										
AVAILABLE	NOT APPLICABLE	34566-4743	9	A	BLACK	<table border="1"> <tr><td>72</td><td>71</td><td>70</td><td>69</td><td></td><td>67</td><td></td><td></td><td>65</td><td>64</td><td>63</td><td>62</td><td>61</td><td>60</td><td>59</td><td>58</td><td>57</td><td>56</td><td>55</td><td>54</td><td>53</td></tr> <tr><td>52</td><td>51</td><td>50</td><td>49</td><td>48</td><td>47</td><td></td><td></td><td>45</td><td>44</td><td>43</td><td>42</td><td>41</td><td>40</td><td>39</td><td></td><td>37</td><td>36</td><td></td><td>34</td><td></td></tr> <tr><td colspan="4">73</td><td>32</td><td></td><td>30</td><td>29</td><td>28</td><td>27</td><td>26</td><td></td><td>24</td><td>23</td><td>21</td><td></td><td>19</td><td>18</td><td>17</td><td></td><td></td></tr> <tr><td colspan="4"></td><td>16</td><td>15</td><td>14</td><td>13</td><td>12</td><td>11</td><td>10</td><td></td><td>8</td><td></td><td>5</td><td></td><td>3</td><td>2</td><td>1</td><td></td><td></td></tr> </table>	72	71	70	69		67			65	64	63	62	61	60	59	58	57	56	55	54	53	52	51	50	49	48	47			45	44	43	42	41	40	39		37	36		34		73				32		30	29	28	27	26		24	23	21		19	18	17							16	15	14	13	12	11	10		8		5		3	2	1		
72	71	70	69		67			65	64	63	62	61	60	59	58	57	56	55	54	53																																																																						
52	51	50	49	48	47			45	44	43	42	41	40	39		37	36		34																																																																							
73				32		30	29	28	27	26		24	23	21		19	18	17																																																																								
				16	15	14	13	12	11	10		8		5		3	2	1																																																																								
AVAILABLE	NOT APPLICABLE	34566-4753	0	B	ST.GRY	<table border="1"> <tr><td></td><td></td><td></td><td></td><td>68</td><td>67</td><td></td><td></td><td>64</td><td></td><td></td><td></td><td></td><td></td><td></td><td>58</td><td></td><td></td><td></td><td></td></tr> <tr><td></td><td></td><td></td><td></td><td></td><td></td><td>46</td><td>45</td><td></td><td></td><td></td><td></td><td></td><td></td><td></td><td>38</td><td></td><td></td><td></td><td></td></tr> <tr><td colspan="4">73</td><td>32</td><td></td><td>30</td><td>29</td><td>28</td><td>27</td><td></td><td></td><td></td><td></td><td>22</td><td></td><td></td><td></td><td></td><td>17</td></tr> <tr><td colspan="4"></td><td></td><td>15</td><td></td><td>13</td><td></td><td></td><td>10</td><td></td><td></td><td>6</td><td></td><td></td><td></td><td></td><td></td><td>1</td></tr> </table>					68	67			64							58											46	45								38					73				32		30	29	28	27					22					17						15		13			10			6						1				
				68	67			64							58																																																																											
						46	45								38																																																																											
73				32		30	29	28	27					22					17																																																																							
					15		13			10			6						1																																																																							
AVAILABLE	NOT APPLICABLE	34566-4763	0	B	ST.GRY	<table border="1"> <tr><td></td><td></td><td></td><td></td><td>68</td><td>67</td><td></td><td></td><td>64</td><td></td><td></td><td></td><td></td><td></td><td></td><td></td><td></td><td></td><td></td><td></td></tr> <tr><td></td><td></td><td></td><td></td><td></td><td></td><td>46</td><td>45</td><td></td><td></td><td></td><td></td><td></td><td></td><td></td><td></td><td></td><td></td><td></td><td></td></tr> <tr><td colspan="4">73</td><td>32</td><td></td><td>30</td><td>29</td><td>28</td><td>27</td><td></td><td></td><td></td><td></td><td></td><td></td><td></td><td></td><td></td><td>17</td></tr> <tr><td colspan="4"></td><td></td><td>15</td><td></td><td>13</td><td></td><td></td><td>10</td><td></td><td></td><td>6</td><td></td><td></td><td></td><td></td><td></td><td></td></tr> </table>					68	67			64																		46	45													73				32		30	29	28	27										17						15		13			10			6										
				68	67			64																																																																																		
						46	45																																																																																			
73				32		30	29	28	27										17																																																																							
					15		13			10			6																																																																													
AVAILABLE	NOT APPLICABLE	34566-4773	0	B	ST.GRY	<table border="1"> <tr><td></td><td></td><td></td><td></td><td>68</td><td>67</td><td></td><td></td><td>64</td><td></td><td></td><td></td><td></td><td>59</td><td>58</td><td></td><td></td><td></td><td></td><td>54</td></tr> <tr><td></td><td></td><td></td><td></td><td></td><td></td><td>46</td><td>45</td><td></td><td></td><td></td><td></td><td></td><td>39</td><td>38</td><td></td><td></td><td></td><td></td><td></td></tr> <tr><td colspan="4">73</td><td>32</td><td></td><td>30</td><td>29</td><td>28</td><td>27</td><td></td><td></td><td></td><td>23</td><td>22</td><td></td><td></td><td></td><td></td><td>17</td></tr> <tr><td colspan="4"></td><td></td><td>15</td><td></td><td>13</td><td></td><td></td><td>10</td><td></td><td>8</td><td></td><td>6</td><td></td><td></td><td></td><td></td><td>1</td></tr> </table>					68	67			64					59	58					54							46	45						39	38						73				32		30	29	28	27				23	22					17						15		13			10		8		6					1				
				68	67			64					59	58					54																																																																							
						46	45						39	38																																																																												
73				32		30	29	28	27				23	22					17																																																																							
					15		13			10		8		6					1																																																																							

QUALITY SYMBOLS = 0 = 0 = 0 = 0 = 0 = 0 = 0 = 0 = 0	THIS DRAWING CONTAINS INFORMATION THAT IS PROPRIETARY TO MOLEX ELECTRONIC TECHNOLOGIES, LLC AND SHOULD NOT BE USED WITHOUT WRITTEN PERMISSION									
	2017/03/27	2017/03/30	GENERAL TOLERANCES (UNLESS SPECIFIED)		DIMENSION UNITS	SCALE				
	DRWN BY	DATE	MM	1:1						
	ANGULAR TOL ± °		SKRAJENDRANA	2011/02/14						
	4 PLACES ±	CHKD BY	DATE							
	3 PLACES ±	MVANSLAMBROU	2011/02/14							
	2 PLACES ±	APPR BY	DATE							
	1 PLACE ±									
	0 PLACES ±									
	DRAFT WHERE APPLICABLE MUST REMAIN WITHIN DIMENSIONS		DRAWING SIZE	THIRD ANGLE PROJECTION						
D										
EC NO: 115012	DRWN: TYE	CHKD:	REV: APPR: JDENG02	SERIES		MATERIAL NUMBER		CUSTOMER		
G49				34566	SEE BOM TABLE	GENERAL MARKET				
				DOCUMENT NUMBER		DOC TYPE	DOC PART	SHEET NUMBER		
				SD-34566-001		PSD	000	54 OF 92		

STATUS	GM PART #	MATERIAL #	WIRE DRESS OPTION	KEY OPTION	COLOR (TPA)	NUMBERS INDICATE CAVITIES OPEN FOR CIRCUITS																																																																																								
AVAILABLE	NOT APPLICABLE	34566-4783	0	B	ST.GRY	<table border="1"> <tr><td></td><td></td><td></td><td></td><td>68</td><td>67</td><td></td><td></td><td>64</td><td>63</td><td></td><td></td><td></td><td></td><td>58</td><td></td><td></td><td>55</td><td></td><td></td></tr> <tr><td></td><td></td><td></td><td></td><td></td><td></td><td>46</td><td>45</td><td></td><td>43</td><td></td><td></td><td></td><td></td><td>38</td><td></td><td></td><td>35</td><td></td><td></td></tr> <tr><td></td><td></td><td></td><td>73</td><td></td><td></td><td>32</td><td>30</td><td>29</td><td>28</td><td>27</td><td></td><td></td><td></td><td>22</td><td></td><td></td><td>19</td><td></td><td>17</td></tr> <tr><td></td><td></td><td></td><td></td><td></td><td>15</td><td></td><td>13</td><td></td><td></td><td></td><td>10</td><td></td><td></td><td>6</td><td></td><td></td><td></td><td></td><td>1</td></tr> </table>					68	67			64	63					58			55									46	45		43					38			35						73			32	30	29	28	27				22			19		17						15		13				10			6					1								
				68	67			64	63					58			55																																																																													
						46	45		43					38			35																																																																													
			73			32	30	29	28	27				22			19		17																																																																											
					15		13				10			6					1																																																																											
AVAILABLE	NOT APPLICABLE	34566-4793	0	B	ST.GRY	<table border="1"> <tr><td></td><td></td><td></td><td></td><td>68</td><td>67</td><td></td><td></td><td>64</td><td>63</td><td></td><td></td><td></td><td></td><td>58</td><td></td><td></td><td></td><td></td><td></td></tr> <tr><td></td><td></td><td></td><td></td><td></td><td></td><td>46</td><td>45</td><td></td><td>43</td><td></td><td></td><td></td><td></td><td>38</td><td></td><td></td><td></td><td></td><td></td></tr> <tr><td></td><td></td><td></td><td>73</td><td></td><td></td><td>32</td><td>30</td><td>29</td><td>28</td><td>27</td><td></td><td></td><td></td><td>22</td><td></td><td></td><td></td><td></td><td>17</td></tr> <tr><td></td><td></td><td></td><td></td><td></td><td>15</td><td></td><td>13</td><td></td><td></td><td></td><td>10</td><td></td><td></td><td>6</td><td></td><td></td><td></td><td></td><td></td></tr> </table>					68	67			64	63					58												46	45		43					38									73			32	30	29	28	27				22					17						15		13				10			6													
				68	67			64	63					58																																																																																
						46	45		43					38																																																																																
			73			32	30	29	28	27				22					17																																																																											
					15		13				10			6																																																																																
AVAILABLE	NOT APPLICABLE	34566-4813	9	B	ST.GRY	<table border="1"> <tr><td></td><td></td><td></td><td></td><td>68</td><td>67</td><td></td><td></td><td>64</td><td></td><td></td><td></td><td></td><td></td><td>59</td><td>58</td><td></td><td></td><td></td><td>54</td></tr> <tr><td></td><td></td><td></td><td></td><td></td><td></td><td>46</td><td>45</td><td></td><td></td><td></td><td></td><td></td><td></td><td>39</td><td>38</td><td></td><td></td><td></td><td></td></tr> <tr><td></td><td></td><td></td><td>73</td><td></td><td></td><td>32</td><td>30</td><td>29</td><td>28</td><td>27</td><td></td><td></td><td></td><td>23</td><td>22</td><td></td><td></td><td></td><td>17</td></tr> <tr><td></td><td></td><td></td><td></td><td></td><td>15</td><td></td><td>13</td><td></td><td></td><td></td><td>10</td><td>9</td><td>8</td><td></td><td>6</td><td></td><td></td><td></td><td>1</td></tr> </table>					68	67			64						59	58				54							46	45							39	38								73			32	30	29	28	27				23	22				17						15		13				10	9	8		6				1								
				68	67			64						59	58				54																																																																											
						46	45							39	38																																																																															
			73			32	30	29	28	27				23	22				17																																																																											
					15		13				10	9	8		6				1																																																																											
AVAILABLE	NOT APPLICABLE	34566-4823	0	C	BLUE	<table border="1"> <tr><td></td><td></td><td></td><td></td><td>68</td><td>67</td><td>66</td><td>65</td><td>64</td><td></td><td></td><td></td><td></td><td></td><td>59</td><td>58</td><td>57</td><td></td><td></td><td>55</td><td>54</td><td>53</td></tr> <tr><td></td><td>51</td><td>50</td><td>49</td><td>48</td><td>47</td><td>46</td><td>45</td><td></td><td>43</td><td>42</td><td>41</td><td>40</td><td>39</td><td>38</td><td>37</td><td></td><td></td><td>35</td><td></td><td>33</td><td></td></tr> <tr><td></td><td></td><td></td><td></td><td>73</td><td></td><td>32</td><td>31</td><td>30</td><td></td><td></td><td>26</td><td>24</td><td>23</td><td>22</td><td></td><td></td><td>20</td><td></td><td></td><td></td><td></td></tr> <tr><td></td><td></td><td></td><td></td><td></td><td></td><td>16</td><td></td><td></td><td>13</td><td></td><td>10</td><td>9</td><td>8</td><td>7</td><td>6</td><td>5</td><td>4</td><td>3</td><td>2</td><td></td><td></td></tr> </table>					68	67	66	65	64						59	58	57			55	54	53		51	50	49	48	47	46	45		43	42	41	40	39	38	37			35		33						73		32	31	30			26	24	23	22			20											16			13		10	9	8	7	6	5	4	3	2		
				68	67	66	65	64						59	58	57			55	54	53																																																																									
	51	50	49	48	47	46	45		43	42	41	40	39	38	37			35		33																																																																										
				73		32	31	30			26	24	23	22			20																																																																													
						16			13		10	9	8	7	6	5	4	3	2																																																																											
AVAILABLE	NOT APPLICABLE	34566-4833	0	C	BLUE	<table border="1"> <tr><td>72</td><td></td><td>70</td><td></td><td>68</td><td>67</td><td>66</td><td></td><td></td><td>63</td><td>62</td><td></td><td></td><td></td><td>59</td><td></td><td>57</td><td></td><td></td><td></td><td></td><td>53</td></tr> <tr><td>52</td><td>51</td><td></td><td></td><td>48</td><td>47</td><td>46</td><td></td><td>44</td><td></td><td>42</td><td></td><td>40</td><td>39</td><td></td><td>37</td><td>36</td><td></td><td></td><td>34</td><td>33</td><td></td></tr> <tr><td></td><td></td><td></td><td></td><td>73</td><td></td><td>32</td><td></td><td>30</td><td></td><td></td><td>27</td><td>26</td><td>25</td><td>24</td><td></td><td>22</td><td>21</td><td></td><td></td><td></td><td></td></tr> <tr><td></td><td></td><td></td><td></td><td></td><td></td><td>15</td><td>14</td><td></td><td></td><td></td><td>10</td><td>9</td><td>8</td><td></td><td>6</td><td>5</td><td>4</td><td></td><td></td><td></td><td>2</td></tr> </table>	72		70		68	67	66			63	62				59		57					53	52	51			48	47	46		44		42		40	39		37	36			34	33						73		32		30			27	26	25	24		22	21											15	14				10	9	8		6	5	4				2
72		70		68	67	66			63	62				59		57					53																																																																									
52	51			48	47	46		44		42		40	39		37	36			34	33																																																																										
				73		32		30			27	26	25	24		22	21																																																																													
						15	14				10	9	8		6	5	4				2																																																																									
AVAILABLE	NOT APPLICABLE	34566-4843	0	C	BLUE	<table border="1"> <tr><td>72</td><td></td><td>70</td><td></td><td>68</td><td>67</td><td>66</td><td></td><td></td><td>63</td><td>62</td><td></td><td></td><td></td><td>59</td><td></td><td>57</td><td></td><td></td><td></td><td></td><td>53</td></tr> <tr><td>52</td><td>51</td><td></td><td></td><td>48</td><td>47</td><td>46</td><td></td><td>44</td><td></td><td>42</td><td></td><td>40</td><td>39</td><td></td><td>37</td><td>36</td><td></td><td></td><td>34</td><td>33</td><td></td></tr> <tr><td></td><td></td><td></td><td></td><td>73</td><td></td><td>32</td><td></td><td>30</td><td></td><td></td><td>27</td><td>26</td><td>25</td><td>24</td><td></td><td>22</td><td>21</td><td></td><td></td><td></td><td></td></tr> <tr><td></td><td></td><td></td><td></td><td></td><td></td><td>15</td><td>14</td><td></td><td></td><td></td><td>10</td><td>9</td><td>8</td><td></td><td>6</td><td>5</td><td>4</td><td></td><td></td><td></td><td>2</td></tr> </table>	72		70		68	67	66			63	62				59		57					53	52	51			48	47	46		44		42		40	39		37	36			34	33						73		32		30			27	26	25	24		22	21											15	14				10	9	8		6	5	4				2
72		70		68	67	66			63	62				59		57					53																																																																									
52	51			48	47	46		44		42		40	39		37	36			34	33																																																																										
				73		32		30			27	26	25	24		22	21																																																																													
						15	14				10	9	8		6	5	4				2																																																																									
AVAILABLE	NOT APPLICABLE	34566-4853	0	C	BLUE	<table border="1"> <tr><td>72</td><td></td><td>70</td><td></td><td>68</td><td></td><td>66</td><td></td><td></td><td>63</td><td>62</td><td></td><td></td><td></td><td>59</td><td></td><td>57</td><td>56</td><td>55</td><td></td><td></td><td>53</td></tr> <tr><td>52</td><td>51</td><td></td><td></td><td>48</td><td>47</td><td>46</td><td></td><td>44</td><td></td><td>42</td><td></td><td>40</td><td>39</td><td></td><td>37</td><td>36</td><td></td><td></td><td>34</td><td>33</td><td></td></tr> <tr><td></td><td></td><td></td><td></td><td>73</td><td></td><td>32</td><td></td><td>30</td><td></td><td></td><td>27</td><td>26</td><td>25</td><td>24</td><td></td><td>22</td><td>21</td><td></td><td>19</td><td>18</td><td></td></tr> <tr><td></td><td></td><td></td><td></td><td></td><td></td><td>15</td><td>14</td><td></td><td></td><td></td><td>10</td><td>9</td><td>8</td><td></td><td>6</td><td>5</td><td>4</td><td>3</td><td>2</td><td></td><td></td></tr> </table>	72		70		68		66			63	62				59		57	56	55			53	52	51			48	47	46		44		42		40	39		37	36			34	33						73		32		30			27	26	25	24		22	21		19	18								15	14				10	9	8		6	5	4	3	2		
72		70		68		66			63	62				59		57	56	55			53																																																																									
52	51			48	47	46		44		42		40	39		37	36			34	33																																																																										
				73		32		30			27	26	25	24		22	21		19	18																																																																										
						15	14				10	9	8		6	5	4	3	2																																																																											
AVAILABLE	NOT APPLICABLE	34566-4863	0	C	BLUE	<table border="1"> <tr><td>72</td><td></td><td>70</td><td></td><td>68</td><td></td><td>66</td><td></td><td></td><td>63</td><td>62</td><td></td><td></td><td></td><td>59</td><td></td><td>57</td><td></td><td></td><td></td><td></td><td>53</td></tr> <tr><td>52</td><td>51</td><td></td><td></td><td>48</td><td>47</td><td>46</td><td></td><td>44</td><td></td><td>42</td><td></td><td>40</td><td>39</td><td></td><td>38</td><td>37</td><td>36</td><td></td><td></td><td>34</td><td>33</td></tr> <tr><td></td><td></td><td></td><td></td><td>73</td><td></td><td>32</td><td></td><td>30</td><td></td><td></td><td>27</td><td>26</td><td>25</td><td>24</td><td></td><td>22</td><td>21</td><td></td><td></td><td></td><td></td></tr> <tr><td></td><td></td><td></td><td></td><td></td><td></td><td>15</td><td>14</td><td></td><td></td><td></td><td>10</td><td>9</td><td>8</td><td></td><td>6</td><td>5</td><td>4</td><td></td><td></td><td></td><td>2</td></tr> </table>	72		70		68		66			63	62				59		57					53	52	51			48	47	46		44		42		40	39		38	37	36			34	33					73		32		30			27	26	25	24		22	21											15	14				10	9	8		6	5	4				2
72		70		68		66			63	62				59		57					53																																																																									
52	51			48	47	46		44		42		40	39		38	37	36			34	33																																																																									
				73		32		30			27	26	25	24		22	21																																																																													
						15	14				10	9	8		6	5	4				2																																																																									
AVAILABLE	NOT APPLICABLE	34566-4873	0	C	BLUE	<table border="1"> <tr><td>72</td><td></td><td>70</td><td></td><td>68</td><td></td><td>66</td><td></td><td></td><td>63</td><td>62</td><td></td><td></td><td></td><td>59</td><td></td><td>57</td><td></td><td></td><td></td><td></td><td>53</td></tr> <tr><td>52</td><td>51</td><td></td><td></td><td>48</td><td>47</td><td>46</td><td></td><td>44</td><td></td><td>42</td><td></td><td>40</td><td>39</td><td></td><td>37</td><td>36</td><td></td><td></td><td>34</td><td>33</td><td></td></tr> <tr><td></td><td></td><td></td><td></td><td>73</td><td></td><td>32</td><td></td><td>30</td><td></td><td></td><td>27</td><td>26</td><td>25</td><td>24</td><td></td><td>22</td><td>21</td><td></td><td></td><td></td><td></td></tr> <tr><td></td><td></td><td></td><td></td><td></td><td></td><td>15</td><td>14</td><td></td><td></td><td></td><td>10</td><td>9</td><td>8</td><td></td><td>6</td><td>5</td><td>4</td><td></td><td></td><td></td><td>2</td></tr> </table>	72		70		68		66			63	62				59		57					53	52	51			48	47	46		44		42		40	39		37	36			34	33						73		32		30			27	26	25	24		22	21											15	14				10	9	8		6	5	4				2
72		70		68		66			63	62				59		57					53																																																																									
52	51			48	47	46		44		42		40	39		37	36			34	33																																																																										
				73		32		30			27	26	25	24		22	21																																																																													
						15	14				10	9	8		6	5	4				2																																																																									

QUALITY SYMBOLS = 0 = 0 = 0 = 0 = 0 = 0 = 0 = 0 = 0		THIS DRAWING CONTAINS INFORMATION THAT IS PROPRIETARY TO MOLEX ELECTRONIC TECHNOLOGIES, LLC AND SHOULD NOT BE USED WITHOUT WRITTEN PERMISSION		GENERAL TOLERANCES (UNLESS SPECIFIED) DIMENSION UNITS: MM SCALE: 1:1 ANGULAR TOL ± °		molex MX123 66/73/80CKT HRNS CONN ASSY	
EC NO: 115012 DRWN: TYE CHKD: JDENG02 REV: APPR:		2017/03/27 2017/03/30		4 PLACES ± 3 PLACES ± 2 PLACES ± 1 PLACE ± 0 PLACES ±		DRWN BY: SKRAJENDRANA DATE: 2011/02/14 CHKD BY: MVANSLAMBROU DATE: 2011/02/14 APPR BY:	
G49		DRAFT WHERE APPLICABLE MUST REMAIN WITHIN DIMENSIONS		DRAWING SIZE: D THIRD ANGLE PROJECTION		PRODUCT CUSTOMER DRAWING	
RELEASE STATUS:		RELEASE DATE:		SERIES: 34566 MATERIAL NUMBER: SEE BOM TABLE CUSTOMER: GENERAL MARKET		DOCUMENT NUMBER: SD-34566-001 DOC TYPE: PSD DOC PART: 000 SHEET NUMBER: 55 OF 92	

STATUS	GM PART #	MATERIAL #	WIRE DRESS OPTION	KEY OPTION	COLOR (TPA)	NUMBERS INDICATE CAVITIES OPEN FOR CIRCUITS																																																																												
AVAILABLE	NOT APPLICABLE	34566-4883	9	A	BLACK	<table border="1"> <tr><td>72</td><td></td><td>69</td><td>67</td><td>65</td><td>63</td><td></td><td>60</td><td></td><td>57</td><td>56</td><td></td><td>53</td></tr> <tr><td></td><td></td><td>49</td><td>47</td><td>46</td><td>44</td><td>43</td><td></td><td>40</td><td></td><td>37</td><td>36</td><td>35</td><td>33</td></tr> <tr><td></td><td>73</td><td></td><td>31</td><td>30</td><td>29</td><td>28</td><td></td><td>24</td><td></td><td>21</td><td>20</td><td></td><td>17</td></tr> <tr><td></td><td></td><td></td><td>16</td><td>15</td><td>14</td><td>13</td><td></td><td>11</td><td>10</td><td></td><td>5</td><td>4</td><td>3</td><td>2</td><td>1</td></tr> </table>	72		69	67	65	63		60		57	56		53			49	47	46	44	43		40		37	36	35	33		73		31	30	29	28		24		21	20		17				16	15	14	13		11	10		5	4	3	2	1																			
72		69	67	65	63		60		57	56		53																																																																						
		49	47	46	44	43		40		37	36	35	33																																																																					
	73		31	30	29	28		24		21	20		17																																																																					
			16	15	14	13		11	10		5	4	3	2	1																																																																			
AVAILABLE	NOT APPLICABLE	34566-4893	9	B	ST.GRAY	<table border="1"> <tr><td></td><td></td><td>68</td><td>67</td><td></td><td>64</td><td>63</td><td></td><td></td><td>58</td><td></td><td>55</td><td></td><td></td></tr> <tr><td></td><td></td><td></td><td>46</td><td>45</td><td></td><td>43</td><td></td><td></td><td>38</td><td></td><td>35</td><td></td><td></td></tr> <tr><td></td><td>73</td><td></td><td>32</td><td></td><td>30</td><td>29</td><td>28</td><td>27</td><td></td><td>22</td><td></td><td>19</td><td>17</td></tr> <tr><td></td><td></td><td></td><td>15</td><td></td><td>13</td><td></td><td></td><td>10</td><td></td><td></td><td></td><td></td><td></td><td>1</td></tr> </table>			68	67		64	63			58		55						46	45		43			38		35				73		32		30	29	28	27		22		19	17				15		13			10						1																			
		68	67		64	63			58		55																																																																							
			46	45		43			38		35																																																																							
	73		32		30	29	28	27		22		19	17																																																																					
			15		13			10						1																																																																				
AVAILABLE	NOT APPLICABLE	34566-4913	9	B	ST.GRAY	<table border="1"> <tr><td></td><td></td><td>68</td><td>67</td><td></td><td>64</td><td>63</td><td></td><td></td><td>58</td><td>57</td><td>55</td><td>53</td></tr> <tr><td></td><td></td><td></td><td>46</td><td>45</td><td></td><td>43</td><td></td><td></td><td>38</td><td>37</td><td>35</td><td></td></tr> <tr><td></td><td>73</td><td></td><td>32</td><td></td><td>30</td><td>29</td><td>28</td><td>27</td><td></td><td>22</td><td>21</td><td>19</td><td>17</td></tr> <tr><td></td><td></td><td></td><td></td><td></td><td></td><td></td><td>12</td><td>10</td><td></td><td></td><td></td><td></td><td></td><td>1</td></tr> </table>			68	67		64	63			58	57	55	53				46	45		43			38	37	35			73		32		30	29	28	27		22	21	19	17								12	10						1																					
		68	67		64	63			58	57	55	53																																																																						
			46	45		43			38	37	35																																																																							
	73		32		30	29	28	27		22	21	19	17																																																																					
							12	10						1																																																																				
AVAILABLE	NOT APPLICABLE	34566-4923	9	A	BLACK	<table border="1"> <tr><td>72</td><td></td><td>69</td><td>67</td><td>65</td><td>63</td><td></td><td>60</td><td></td><td>57</td><td>56</td><td></td><td>53</td></tr> <tr><td></td><td></td><td>49</td><td>47</td><td></td><td>44</td><td>43</td><td></td><td>40</td><td></td><td>37</td><td>36</td><td>35</td><td>33</td></tr> <tr><td></td><td>73</td><td></td><td>31</td><td>30</td><td>29</td><td>28</td><td></td><td>24</td><td></td><td>21</td><td>20</td><td></td><td>17</td></tr> <tr><td></td><td></td><td></td><td>16</td><td>15</td><td>14</td><td>13</td><td></td><td>11</td><td>10</td><td></td><td>5</td><td>4</td><td>3</td><td>2</td><td>1</td></tr> </table>	72		69	67	65	63		60		57	56		53			49	47		44	43		40		37	36	35	33		73		31	30	29	28		24		21	20		17				16	15	14	13		11	10		5	4	3	2	1																			
72		69	67	65	63		60		57	56		53																																																																						
		49	47		44	43		40		37	36	35	33																																																																					
	73		31	30	29	28		24		21	20		17																																																																					
			16	15	14	13		11	10		5	4	3	2	1																																																																			
AVAILABLE	NOT APPLICABLE	34566-4933	0	C	BLUE	<table border="1"> <tr><td>72</td><td></td><td>70</td><td>68</td><td>67</td><td>66</td><td></td><td>63</td><td>62</td><td></td><td>59</td><td>57</td><td></td><td>53</td></tr> <tr><td>52</td><td>51</td><td></td><td>48</td><td>47</td><td>46</td><td></td><td>44</td><td></td><td></td><td>40</td><td>39</td><td>37</td><td>36</td><td>35</td><td>34</td><td>33</td></tr> <tr><td></td><td>73</td><td></td><td>32</td><td></td><td>30</td><td></td><td>27</td><td>26</td><td>25</td><td>24</td><td>22</td><td>21</td><td></td><td></td><td></td><td></td></tr> <tr><td></td><td></td><td></td><td>15</td><td>14</td><td></td><td></td><td>10</td><td>9</td><td>8</td><td>6</td><td>5</td><td>4</td><td></td><td>2</td><td></td><td></td></tr> </table>	72		70	68	67	66		63	62		59	57		53	52	51		48	47	46		44			40	39	37	36	35	34	33		73		32		30		27	26	25	24	22	21								15	14			10	9	8	6	5	4		2													
72		70	68	67	66		63	62		59	57		53																																																																					
52	51		48	47	46		44			40	39	37	36	35	34	33																																																																		
	73		32		30		27	26	25	24	22	21																																																																						
			15	14			10	9	8	6	5	4		2																																																																				
AVAILABLE	NOT APPLICABLE	34566-4943	0	A	BLACK	<table border="1"> <tr><td></td><td></td><td>70</td><td>69</td><td>68</td><td>67</td><td></td><td></td><td>63</td><td>62</td><td>61</td><td>60</td><td>59</td><td>58</td><td>57</td><td>56</td><td>55</td><td>54</td><td>53</td></tr> <tr><td>52</td><td>51</td><td>50</td><td>49</td><td></td><td></td><td></td><td></td><td>44</td><td>43</td><td>42</td><td>41</td><td></td><td>39</td><td>38</td><td>37</td><td>36</td><td></td><td>34</td></tr> <tr><td></td><td>73</td><td></td><td>32</td><td>31</td><td></td><td>29</td><td>28</td><td>27</td><td>26</td><td>25</td><td>23</td><td></td><td></td><td></td><td></td><td>19</td><td>18</td><td></td></tr> <tr><td></td><td></td><td></td><td>16</td><td>15</td><td>14</td><td>13</td><td>12</td><td>11</td><td>10</td><td>9</td><td>8</td><td></td><td></td><td></td><td>3</td><td></td><td></td><td></td></tr> </table>			70	69	68	67			63	62	61	60	59	58	57	56	55	54	53	52	51	50	49					44	43	42	41		39	38	37	36		34		73		32	31		29	28	27	26	25	23					19	18					16	15	14	13	12	11	10	9	8				3			
		70	69	68	67			63	62	61	60	59	58	57	56	55	54	53																																																																
52	51	50	49					44	43	42	41		39	38	37	36		34																																																																
	73		32	31		29	28	27	26	25	23					19	18																																																																	
			16	15	14	13	12	11	10	9	8				3																																																																			
AVAILABLE	NOT APPLICABLE	34566-4953	0	B	ST.GRAY	<table border="1"> <tr><td>72</td><td>71</td><td>70</td><td>69</td><td>68</td><td>67</td><td>66</td><td>65</td><td>64</td><td>63</td><td></td><td></td><td>59</td><td></td><td></td><td></td><td></td><td>53</td></tr> <tr><td>52</td><td>51</td><td>50</td><td>49</td><td>48</td><td>47</td><td>46</td><td>45</td><td>44</td><td>43</td><td></td><td></td><td>39</td><td></td><td></td><td></td><td></td><td>34</td><td>33</td></tr> <tr><td></td><td>73</td><td></td><td>32</td><td>31</td><td>30</td><td>29</td><td>28</td><td>27</td><td>26</td><td>25</td><td>24</td><td>23</td><td></td><td></td><td></td><td>19</td><td>18</td><td>17</td></tr> <tr><td></td><td></td><td></td><td>16</td><td>15</td><td>14</td><td>13</td><td>12</td><td>11</td><td>10</td><td></td><td>8</td><td>7</td><td></td><td></td><td></td><td>3</td><td>2</td><td>1</td></tr> </table>	72	71	70	69	68	67	66	65	64	63			59					53	52	51	50	49	48	47	46	45	44	43			39					34	33		73		32	31	30	29	28	27	26	25	24	23				19	18	17				16	15	14	13	12	11	10		8	7				3	2	1	
72	71	70	69	68	67	66	65	64	63			59					53																																																																	
52	51	50	49	48	47	46	45	44	43			39					34	33																																																																
	73		32	31	30	29	28	27	26	25	24	23				19	18	17																																																																
			16	15	14	13	12	11	10		8	7				3	2	1																																																																
AVAILABLE	NOT APPLICABLE	34566-4963	9	A	BLACK	<table border="1"> <tr><td>72</td><td></td><td>69</td><td>67</td><td>66</td><td>65</td><td></td><td>63</td><td></td><td>60</td><td></td><td>57</td><td>56</td><td></td><td>53</td></tr> <tr><td></td><td></td><td>49</td><td>47</td><td>46</td><td></td><td>44</td><td>43</td><td>42</td><td>40</td><td></td><td>37</td><td>36</td><td>35</td><td>33</td></tr> <tr><td></td><td>73</td><td></td><td>31</td><td>30</td><td>29</td><td>28</td><td>27</td><td>26</td><td>24</td><td></td><td>21</td><td>20</td><td></td><td>17</td></tr> <tr><td></td><td></td><td></td><td>16</td><td>15</td><td>14</td><td>13</td><td></td><td>11</td><td>10</td><td></td><td>5</td><td>4</td><td>3</td><td>2</td><td>1</td></tr> </table>	72		69	67	66	65		63		60		57	56		53			49	47	46		44	43	42	40		37	36	35	33		73		31	30	29	28	27	26	24		21	20		17				16	15	14	13		11	10		5	4	3	2	1															
72		69	67	66	65		63		60		57	56		53																																																																				
		49	47	46		44	43	42	40		37	36	35	33																																																																				
	73		31	30	29	28	27	26	24		21	20		17																																																																				
			16	15	14	13		11	10		5	4	3	2	1																																																																			
AVAILABLE	NOT APPLICABLE	34566-4973	9	B	ST.GRAY	<table border="1"> <tr><td></td><td></td><td>68</td><td>67</td><td></td><td>64</td><td></td><td></td><td></td><td>59</td><td>58</td><td></td><td></td><td>54</td></tr> <tr><td></td><td></td><td></td><td>46</td><td>45</td><td>44</td><td>43</td><td></td><td></td><td>39</td><td>38</td><td></td><td></td><td></td></tr> <tr><td></td><td>73</td><td></td><td>32</td><td></td><td>30</td><td>29</td><td>28</td><td>27</td><td></td><td>23</td><td>22</td><td></td><td>17</td></tr> <tr><td></td><td></td><td></td><td>15</td><td></td><td>13</td><td>12</td><td></td><td>10</td><td></td><td>6</td><td></td><td></td><td></td><td>1</td></tr> </table>			68	67		64				59	58			54				46	45	44	43			39	38					73		32		30	29	28	27		23	22		17				15		13	12		10		6				1																			
		68	67		64				59	58			54																																																																					
			46	45	44	43			39	38																																																																								
	73		32		30	29	28	27		23	22		17																																																																					
			15		13	12		10		6				1																																																																				

QUALITY SYMBOLS = 0 = 0 = 0 = 0 = 0 = 0 = 0 = 0 = 0		THIS DRAWING CONTAINS INFORMATION THAT IS PROPRIETARY TO MOLEX ELECTRONIC TECHNOLOGIES, LLC AND SHOULD NOT BE USED WITHOUT WRITTEN PERMISSION		DIMENSION UNITS: MM SCALE: 1:1					
EC NO: 115012 DRWN: TYE CHKD: JDENG02 REV APPR: JDENG02		2017/03/27 2017/03/30		GENERAL TOLERANCES (UNLESS SPECIFIED) ANGULAR TOL ± ° 4 PLACES ± 3 PLACES ± 2 PLACES ± 1 PLACE ± 0 PLACES ±		DRWN BY: SKRAJENDRANA DATE: 2011/02/14 CHKD BY: MVANSLAMBROU DATE: 2011/02/14 APPR BY: _____ DATE: _____		MX123 66/73/80CKT HRNS CONN ASSY	
DRAFT WHERE APPLICABLE MUST REMAIN WITHIN DIMENSIONS		DRAWING SIZE: D		THIRD ANGLE PROJECTION		PRODUCT CUSTOMER DRAWING		SERIES: 34566 MATERIAL NUMBER: SEE BOM TABLE CUSTOMER: GENERAL MARKET	
RELEASE STATUS		RELEASE DATE		DOCUMENT NUMBER: SD-34566-001		DOC TYPE: PSD		DOC PART: 000 SHEET NUMBER: 56 OF 92	

STATUS	GM PART #	MATERIAL #	WIRE DRESS OPTION	KEY OPTION F	COLOR (TPA) F	NUMBERS INDICATE CAVITIES OPEN FOR CIRCUITS F																																																																																
AVAILABLE	NOT APPLICABLE	34566-4983	0	B	ST.GRAY	<table border="1"> <tr><td>72</td><td>70</td><td>68</td><td>66</td><td></td><td></td><td></td><td></td><td>60</td><td>59</td><td></td><td></td><td>55</td><td>54</td><td>53</td></tr> <tr><td>52</td><td>50</td><td>48</td><td>46</td><td></td><td>44</td><td></td><td></td><td>40</td><td>39</td><td></td><td></td><td>35</td><td>34</td><td>33</td></tr> <tr><td colspan="2">73</td><td>32</td><td>31</td><td>30</td><td>29</td><td>28</td><td>27</td><td>26</td><td>25</td><td>24</td><td>23</td><td></td><td>19</td><td>18</td><td>17</td></tr> <tr><td colspan="2"></td><td>16</td><td></td><td></td><td></td><td></td><td></td><td>10</td><td>8</td><td>7</td><td></td><td></td><td>2</td><td>1</td><td></td></tr> </table>	72	70	68	66					60	59			55	54	53	52	50	48	46		44			40	39			35	34	33	73		32	31	30	29	28	27	26	25	24	23		19	18	17			16						10	8	7			2	1																			
72	70	68	66					60	59			55	54	53																																																																								
52	50	48	46		44			40	39			35	34	33																																																																								
73		32	31	30	29	28	27	26	25	24	23		19	18	17																																																																							
		16						10	8	7			2	1																																																																								
AVAILABLE	NOT APPLICABLE	34566-4993	0	A	BLACK	<table border="1"> <tr><td>72</td><td>71</td><td>70</td><td>69</td><td>67</td><td></td><td></td><td>64</td><td>63</td><td></td><td></td><td>60</td><td>59</td><td></td><td>56</td><td>55</td><td>54</td><td>53</td></tr> <tr><td>52</td><td>51</td><td></td><td>49</td><td>47</td><td></td><td>45</td><td>44</td><td>43</td><td>42</td><td>41</td><td></td><td></td><td></td><td>36</td><td></td><td>34</td><td></td></tr> <tr><td colspan="2">73</td><td>32</td><td></td><td>30</td><td></td><td>28</td><td></td><td>26</td><td></td><td></td><td></td><td></td><td></td><td>19</td><td>18</td><td></td><td></td></tr> <tr><td colspan="2"></td><td>16</td><td>15</td><td></td><td></td><td>12</td><td></td><td>10</td><td></td><td></td><td></td><td></td><td></td><td>3</td><td></td><td></td><td></td></tr> </table>	72	71	70	69	67			64	63			60	59		56	55	54	53	52	51		49	47		45	44	43	42	41				36		34		73		32		30		28		26						19	18					16	15			12		10						3											
72	71	70	69	67			64	63			60	59		56	55	54	53																																																																					
52	51		49	47		45	44	43	42	41				36		34																																																																						
73		32		30		28		26						19	18																																																																							
		16	15			12		10						3																																																																								
AVAILABLE	NOT APPLICABLE	34566-5013	9	B	ST.GRAY	<table border="1"> <tr><td></td><td></td><td></td><td>68</td><td>67</td><td></td><td></td><td>64</td><td>63</td><td></td><td></td><td></td><td>59</td><td>58</td><td></td><td>55</td><td>54</td><td></td></tr> <tr><td></td><td></td><td></td><td></td><td></td><td>46</td><td>45</td><td>44</td><td>43</td><td></td><td></td><td></td><td>39</td><td>38</td><td></td><td>35</td><td></td><td></td></tr> <tr><td colspan="2">73</td><td>32</td><td></td><td>30</td><td>29</td><td>28</td><td>27</td><td></td><td></td><td></td><td></td><td>23</td><td>22</td><td></td><td>19</td><td>17</td><td></td></tr> <tr><td colspan="2"></td><td></td><td>15</td><td></td><td>13</td><td>12</td><td></td><td>10</td><td></td><td></td><td></td><td>6</td><td></td><td></td><td></td><td></td><td>1</td></tr> </table>				68	67			64	63				59	58		55	54							46	45	44	43				39	38		35			73		32		30	29	28	27					23	22		19	17					15		13	12		10				6					1								
			68	67			64	63				59	58		55	54																																																																						
					46	45	44	43				39	38		35																																																																							
73		32		30	29	28	27					23	22		19	17																																																																						
			15		13	12		10				6					1																																																																					
AVAILABLE	NOT APPLICABLE	34566-5023	0	C	BLUE	<table border="1"> <tr><td>72</td><td>70</td><td>68</td><td>67</td><td></td><td></td><td></td><td>63</td><td>62</td><td></td><td></td><td>59</td><td></td><td>57</td><td></td><td></td><td></td><td>53</td></tr> <tr><td>52</td><td>51</td><td></td><td>48</td><td>47</td><td>46</td><td></td><td>44</td><td></td><td>42</td><td></td><td>40</td><td>39</td><td></td><td>37</td><td>36</td><td></td><td>34</td><td>33</td></tr> <tr><td colspan="2">73</td><td>32</td><td></td><td>30</td><td></td><td></td><td></td><td>26</td><td>25</td><td>24</td><td></td><td></td><td>22</td><td>21</td><td>20</td><td></td><td></td><td></td></tr> <tr><td colspan="2"></td><td></td><td>15</td><td>14</td><td></td><td></td><td></td><td></td><td>8</td><td></td><td>6</td><td>5</td><td>4</td><td></td><td></td><td>2</td><td></td><td></td></tr> </table>	72	70	68	67				63	62			59		57				53	52	51		48	47	46		44		42		40	39		37	36		34	33	73		32		30				26	25	24			22	21	20							15	14					8		6	5	4			2							
72	70	68	67				63	62			59		57				53																																																																					
52	51		48	47	46		44		42		40	39		37	36		34	33																																																																				
73		32		30				26	25	24			22	21	20																																																																							
			15	14					8		6	5	4			2																																																																						
AVAILABLE	NOT APPLICABLE	34566-5033	0	A	BLACK	<table border="1"> <tr><td></td><td></td><td>70</td><td>69</td><td></td><td></td><td></td><td></td><td>63</td><td>62</td><td>61</td><td>60</td><td></td><td>58</td><td>57</td><td>56</td><td>55</td><td>54</td><td>53</td></tr> <tr><td>52</td><td>51</td><td></td><td>49</td><td></td><td></td><td></td><td>44</td><td>43</td><td>42</td><td>41</td><td></td><td></td><td></td><td>37</td><td>36</td><td>35</td><td>34</td><td>33</td></tr> <tr><td colspan="2">73</td><td>32</td><td></td><td></td><td>29</td><td>28</td><td>27</td><td>26</td><td>25</td><td></td><td></td><td></td><td></td><td></td><td></td><td>19</td><td>18</td><td></td></tr> <tr><td colspan="2"></td><td>16</td><td>15</td><td></td><td>13</td><td>12</td><td>11</td><td>10</td><td></td><td></td><td></td><td></td><td></td><td></td><td></td><td>3</td><td></td><td></td></tr> </table>			70	69					63	62	61	60		58	57	56	55	54	53	52	51		49				44	43	42	41				37	36	35	34	33	73		32			29	28	27	26	25							19	18				16	15		13	12	11	10								3						
		70	69					63	62	61	60		58	57	56	55	54	53																																																																				
52	51		49				44	43	42	41				37	36	35	34	33																																																																				
73		32			29	28	27	26	25							19	18																																																																					
		16	15		13	12	11	10								3																																																																						
AVAILABLE	NOT APPLICABLE	34566-5043	0	A	BLACK	<table border="1"> <tr><td></td><td></td><td></td><td></td><td></td><td></td><td></td><td></td><td></td><td></td><td></td><td></td><td></td><td></td><td></td><td></td><td></td><td></td><td></td></tr> <tr><td colspan="2">73</td><td></td><td></td><td></td><td></td><td>31</td><td></td><td></td><td></td><td></td><td></td><td></td><td></td><td></td><td></td><td></td><td></td><td></td></tr> </table>																				73						31																																																						
73						31																																																																																
AVAILABLE	NOT APPLICABLE	34566-5053	0	B	ST.GRAY	<table border="1"> <tr><td></td><td></td><td></td><td></td><td></td><td></td><td></td><td></td><td></td><td></td><td></td><td></td><td></td><td></td><td></td><td></td><td></td><td></td><td></td></tr> <tr><td colspan="2">73</td><td></td><td></td><td></td><td></td><td>47</td><td></td><td></td><td></td><td></td><td></td><td></td><td></td><td></td><td></td><td></td><td></td><td></td></tr> <tr><td colspan="2"></td><td></td><td></td><td></td><td></td><td>31</td><td></td><td></td><td></td><td></td><td></td><td></td><td></td><td></td><td>20</td><td></td><td></td><td>17</td></tr> <tr><td colspan="2"></td><td></td><td></td><td></td><td></td><td></td><td></td><td></td><td></td><td></td><td></td><td></td><td></td><td></td><td></td><td></td><td></td><td>1</td></tr> </table>																				73						47																			31									20			17																			1				
73						47																																																																																
						31									20			17																																																																				
																		1																																																																				
AVAILABLE	NOT APPLICABLE	34566-5063	9	H	ST.GRAY	<table border="1"> <tr><td>80</td><td>79</td><td>78</td><td>77</td><td>76</td><td>75</td><td>74</td><td>73</td><td>72</td><td>71</td><td>70</td><td>69</td><td>68</td><td>67</td><td>66</td><td>65</td><td>64</td><td>63</td><td>62</td><td>61</td></tr> <tr><td>60</td><td>59</td><td>58</td><td>57</td><td>56</td><td>55</td><td>54</td><td>53</td><td>52</td><td>51</td><td>50</td><td>49</td><td>48</td><td>47</td><td>46</td><td>45</td><td>44</td><td>43</td><td>42</td><td>41</td></tr> <tr><td>40</td><td>39</td><td>38</td><td>37</td><td></td><td>35</td><td>34</td><td>33</td><td>32</td><td></td><td>30</td><td>29</td><td></td><td>27</td><td>26</td><td></td><td>24</td><td>23</td><td>22</td><td>21</td></tr> <tr><td>20</td><td>19</td><td>18</td><td>17</td><td></td><td></td><td>14</td><td>13</td><td>12</td><td>11</td><td>10</td><td>9</td><td>8</td><td></td><td>6</td><td>5</td><td></td><td>3</td><td>2</td><td></td></tr> </table>	80	79	78	77	76	75	74	73	72	71	70	69	68	67	66	65	64	63	62	61	60	59	58	57	56	55	54	53	52	51	50	49	48	47	46	45	44	43	42	41	40	39	38	37		35	34	33	32		30	29		27	26		24	23	22	21	20	19	18	17			14	13	12	11	10	9	8		6	5		3	2	
80	79	78	77	76	75	74	73	72	71	70	69	68	67	66	65	64	63	62	61																																																																			
60	59	58	57	56	55	54	53	52	51	50	49	48	47	46	45	44	43	42	41																																																																			
40	39	38	37		35	34	33	32		30	29		27	26		24	23	22	21																																																																			
20	19	18	17			14	13	12	11	10	9	8		6	5		3	2																																																																				
AVAILABLE	NOT APPLICABLE	34566-5073	9	A	BLACK	<table border="1"> <tr><td>72</td><td>71</td><td>70</td><td>69</td><td>68</td><td>67</td><td>66</td><td>65</td><td>64</td><td>63</td><td>62</td><td>61</td><td>60</td><td>59</td><td>58</td><td>57</td><td>56</td><td>55</td><td>54</td><td>53</td></tr> <tr><td>52</td><td>51</td><td>50</td><td>49</td><td>48</td><td>47</td><td>46</td><td>45</td><td>44</td><td>43</td><td>42</td><td>41</td><td>40</td><td>39</td><td>38</td><td>37</td><td>36</td><td></td><td>34</td><td>33</td></tr> <tr><td colspan="2">73</td><td>32</td><td>31</td><td>30</td><td>29</td><td>28</td><td>27</td><td>26</td><td></td><td></td><td>24</td><td>23</td><td>22</td><td>21</td><td>20</td><td>19</td><td>18</td><td></td><td></td></tr> <tr><td colspan="2"></td><td>16</td><td></td><td></td><td></td><td>13</td><td>12</td><td>11</td><td>10</td><td>9</td><td>8</td><td></td><td></td><td></td><td></td><td></td><td></td><td></td><td>1</td></tr> </table>	72	71	70	69	68	67	66	65	64	63	62	61	60	59	58	57	56	55	54	53	52	51	50	49	48	47	46	45	44	43	42	41	40	39	38	37	36		34	33	73		32	31	30	29	28	27	26			24	23	22	21	20	19	18					16				13	12	11	10	9	8								1
72	71	70	69	68	67	66	65	64	63	62	61	60	59	58	57	56	55	54	53																																																																			
52	51	50	49	48	47	46	45	44	43	42	41	40	39	38	37	36		34	33																																																																			
73		32	31	30	29	28	27	26			24	23	22	21	20	19	18																																																																					
		16				13	12	11	10	9	8								1																																																																			

QUALITY SYMBOLS = 0 = 0 = 0 = 0 = 0 = 0 = 0 = 0 = 0	THIS DRAWING CONTAINS INFORMATION THAT IS PROPRIETARY TO MOLEX ELECTRONIC TECHNOLOGIES, LLC AND SHOULD NOT BE USED WITHOUT WRITTEN PERMISSION									
	2017/03/27	2017/03/30	GENERAL TOLERANCES (UNLESS SPECIFIED)		DIMENSION UNITS	SCALE				
	EC NO: 115012 DRWN: TYE CHKD: JDENG02 REV APPR: JDENG02	ANGULAR TOL ± °		MM	1:1					
		4 PLACES ±	SKRAJENDRANA	DATE	2011/02/14					
		3 PLACES ±	CHKD BY	DATE						
		2 PLACES ±	MVANSLAMBROU	DATE	2011/02/14					
		1 PLACE ±	APPR BY	DATE						
	0 PLACES ±	DRAWING SIZE		THIRD ANGLE PROJECTION						
	DRAFT WHERE APPLICABLE MUST REMAIN WITHIN DIMENSIONS		D							
	G49		SERIES	MATERIAL NUMBER	CUSTOMER					
		34566	SEE BOM TABLE	GENERAL MARKET						
		DOCUMENT NUMBER	DOC TYPE	DOC PART	SHEET NUMBER					
		SD-34566-001	PSD	000	57 OF 92					

STATUS	GM PART #	MATERIAL #	WIRE DRESS OPTION	KEY OPTION	COLOR (TPA)	NUMBERS INDICATE CAVITIES OPEN FOR CIRCUITS																																																																																				
AVAILABLE	NOT APPLICABLE	34566-5083	9	A	BLACK	<table border="1"> <tr><td></td><td></td><td>70</td><td>69</td><td></td><td></td><td></td><td></td><td></td><td></td><td>63</td><td>62</td><td>61</td><td>60</td><td></td><td>58</td><td>57</td><td>56</td><td>55</td><td>54</td><td>53</td></tr> <tr><td>52</td><td>51</td><td></td><td>49</td><td></td><td></td><td></td><td></td><td></td><td>44</td><td>43</td><td>42</td><td>41</td><td></td><td></td><td>38</td><td>37</td><td></td><td></td><td>34</td><td></td></tr> <tr><td colspan="2">73</td><td></td><td>32</td><td></td><td></td><td>29</td><td>28</td><td>27</td><td>26</td><td></td><td></td><td></td><td>23</td><td></td><td></td><td></td><td></td><td>19</td><td>18</td><td></td></tr> <tr><td colspan="2"></td><td></td><td>16</td><td>15</td><td></td><td>13</td><td>12</td><td>11</td><td>10</td><td></td><td></td><td>8</td><td></td><td></td><td></td><td></td><td></td><td>3</td><td></td><td></td></tr> </table>			70	69							63	62	61	60		58	57	56	55	54	53	52	51		49						44	43	42	41			38	37			34		73			32			29	28	27	26				23					19	18					16	15		13	12	11	10			8						3		
		70	69							63	62	61	60		58	57	56	55	54	53																																																																						
52	51		49						44	43	42	41			38	37			34																																																																							
73			32			29	28	27	26				23					19	18																																																																							
			16	15		13	12	11	10			8						3																																																																								
AVAILABLE	NOT APPLICABLE	34566-5093	0	B	ST,GRAY	<table border="1"> <tr><td>72</td><td>71</td><td>70</td><td>69</td><td>68</td><td>67</td><td>66</td><td>65</td><td>64</td><td>63</td><td>62</td><td>61</td><td>60</td><td>59</td><td>58</td><td>57</td><td>56</td><td>55</td><td>54</td><td>53</td></tr> <tr><td>52</td><td>51</td><td>50</td><td>49</td><td>48</td><td>47</td><td>46</td><td>45</td><td>44</td><td>43</td><td>42</td><td>41</td><td>40</td><td>39</td><td>38</td><td>37</td><td>36</td><td>35</td><td>34</td><td>33</td></tr> <tr><td colspan="2">73</td><td></td><td></td><td></td><td></td><td>29</td><td></td><td>27</td><td></td><td></td><td></td><td></td><td>23</td><td>22</td><td>21</td><td></td><td></td><td>18</td><td></td></tr> <tr><td colspan="2"></td><td></td><td>16</td><td>15</td><td>14</td><td>13</td><td></td><td></td><td></td><td></td><td></td><td>8</td><td>7</td><td>6</td><td>5</td><td>4</td><td>3</td><td></td><td></td></tr> </table>	72	71	70	69	68	67	66	65	64	63	62	61	60	59	58	57	56	55	54	53	52	51	50	49	48	47	46	45	44	43	42	41	40	39	38	37	36	35	34	33	73						29		27					23	22	21			18					16	15	14	13						8	7	6	5	4	3						
72	71	70	69	68	67	66	65	64	63	62	61	60	59	58	57	56	55	54	53																																																																							
52	51	50	49	48	47	46	45	44	43	42	41	40	39	38	37	36	35	34	33																																																																							
73						29		27					23	22	21			18																																																																								
			16	15	14	13						8	7	6	5	4	3																																																																									
AVAILABLE	NOT APPLICABLE	34566-5113	0	A	BLACK	<table border="1"> <tr><td>72</td><td>71</td><td>70</td><td>69</td><td>68</td><td>67</td><td>66</td><td></td><td>64</td><td>63</td><td>62</td><td></td><td>60</td><td>59</td><td></td><td></td><td></td><td>55</td><td>54</td><td>53</td></tr> <tr><td>52</td><td></td><td></td><td>49</td><td>48</td><td></td><td></td><td></td><td>44</td><td>43</td><td>42</td><td>41</td><td>40</td><td>39</td><td></td><td></td><td></td><td>35</td><td>34</td><td>33</td></tr> <tr><td colspan="2">73</td><td></td><td>32</td><td></td><td></td><td>29</td><td></td><td>27</td><td></td><td>25</td><td>24</td><td>23</td><td></td><td></td><td></td><td></td><td>19</td><td>18</td><td>17</td></tr> <tr><td colspan="2"></td><td></td><td>16</td><td></td><td></td><td>13</td><td>12</td><td>11</td><td></td><td>9</td><td>8</td><td>7</td><td>6</td><td>5</td><td>4</td><td>3</td><td>2</td><td>1</td><td></td></tr> </table>	72	71	70	69	68	67	66		64	63	62		60	59				55	54	53	52			49	48				44	43	42	41	40	39				35	34	33	73			32			29		27		25	24	23					19	18	17				16			13	12	11		9	8	7	6	5	4	3	2	1					
72	71	70	69	68	67	66		64	63	62		60	59				55	54	53																																																																							
52			49	48				44	43	42	41	40	39				35	34	33																																																																							
73			32			29		27		25	24	23					19	18	17																																																																							
			16			13	12	11		9	8	7	6	5	4	3	2	1																																																																								
AVAILABLE	NOT APPLICABLE	34566-5123	9	C	BLUE	<table border="1"> <tr><td>72</td><td></td><td>70</td><td></td><td>68</td><td>67</td><td>66</td><td></td><td></td><td>63</td><td>62</td><td></td><td></td><td>59</td><td>57</td><td></td><td></td><td></td><td></td><td>53</td></tr> <tr><td>52</td><td>51</td><td></td><td></td><td>48</td><td>47</td><td>46</td><td>45</td><td>44</td><td></td><td></td><td></td><td>40</td><td>39</td><td>38</td><td>37</td><td>36</td><td></td><td>34</td><td>33</td></tr> <tr><td colspan="2">73</td><td></td><td>32</td><td></td><td>30</td><td></td><td></td><td></td><td>27</td><td>26</td><td>25</td><td>24</td><td></td><td>22</td><td>21</td><td>20</td><td></td><td></td><td></td></tr> <tr><td colspan="2"></td><td></td><td></td><td>15</td><td>14</td><td></td><td></td><td></td><td>10</td><td>9</td><td>8</td><td></td><td>6</td><td>5</td><td>4</td><td></td><td></td><td>2</td><td></td></tr> </table>	72		70		68	67	66			63	62			59	57					53	52	51			48	47	46	45	44				40	39	38	37	36		34	33	73			32		30				27	26	25	24		22	21	20								15	14				10	9	8		6	5	4			2					
72		70		68	67	66			63	62			59	57					53																																																																							
52	51			48	47	46	45	44				40	39	38	37	36		34	33																																																																							
73			32		30				27	26	25	24		22	21	20																																																																										
				15	14				10	9	8		6	5	4			2																																																																								
AVAILABLE	NOT APPLICABLE	34566-5133	9	B	ST.GRAY	<table border="1"> <tr><td>72</td><td>71</td><td>70</td><td></td><td>68</td><td>67</td><td>66</td><td></td><td></td><td></td><td>62</td><td>61</td><td>60</td><td>59</td><td>58</td><td>57</td><td>56</td><td>55</td><td>54</td><td>53</td></tr> <tr><td>52</td><td>51</td><td>50</td><td></td><td>48</td><td>47</td><td>46</td><td></td><td></td><td></td><td>42</td><td>41</td><td>40</td><td>39</td><td>38</td><td>37</td><td>36</td><td>35</td><td>34</td><td>33</td></tr> <tr><td colspan="2">73</td><td></td><td>32</td><td>31</td><td>30</td><td>29</td><td>28</td><td>27</td><td>26</td><td>25</td><td>24</td><td>23</td><td></td><td></td><td></td><td></td><td></td><td></td><td></td></tr> <tr><td colspan="2"></td><td></td><td>16</td><td>15</td><td>14</td><td>13</td><td></td><td></td><td>10</td><td>9</td><td>8</td><td></td><td></td><td></td><td></td><td></td><td></td><td></td><td></td></tr> </table>	72	71	70		68	67	66				62	61	60	59	58	57	56	55	54	53	52	51	50		48	47	46				42	41	40	39	38	37	36	35	34	33	73			32	31	30	29	28	27	26	25	24	23											16	15	14	13			10	9	8												
72	71	70		68	67	66				62	61	60	59	58	57	56	55	54	53																																																																							
52	51	50		48	47	46				42	41	40	39	38	37	36	35	34	33																																																																							
73			32	31	30	29	28	27	26	25	24	23																																																																														
			16	15	14	13			10	9	8																																																																															
AVAILABLE	NOT APPLICABLE	34566-5143	0	C	BLUE	<table border="1"> <tr><td>72</td><td></td><td>70</td><td></td><td>68</td><td>67</td><td>66</td><td></td><td></td><td>63</td><td>62</td><td></td><td></td><td>59</td><td>57</td><td></td><td></td><td></td><td></td><td>53</td></tr> <tr><td>52</td><td>51</td><td></td><td></td><td>48</td><td>47</td><td>46</td><td></td><td>44</td><td></td><td>42</td><td></td><td>40</td><td>39</td><td></td><td>37</td><td>36</td><td></td><td>34</td><td>33</td></tr> <tr><td colspan="2">73</td><td></td><td>32</td><td></td><td>30</td><td></td><td></td><td></td><td>26</td><td>25</td><td>24</td><td></td><td></td><td>22</td><td>21</td><td>20</td><td></td><td></td><td></td></tr> <tr><td colspan="2"></td><td></td><td></td><td>15</td><td>14</td><td></td><td></td><td></td><td>10</td><td>9</td><td>8</td><td></td><td>6</td><td>5</td><td>4</td><td></td><td></td><td>2</td><td></td></tr> </table>	72		70		68	67	66			63	62			59	57					53	52	51			48	47	46		44		42		40	39		37	36		34	33	73			32		30				26	25	24			22	21	20								15	14				10	9	8		6	5	4			2					
72		70		68	67	66			63	62			59	57					53																																																																							
52	51			48	47	46		44		42		40	39		37	36		34	33																																																																							
73			32		30				26	25	24			22	21	20																																																																										
				15	14				10	9	8		6	5	4			2																																																																								
AVAILABLE	NOT APPLICABLE	34566-5153	0	A	BLACK	<table border="1"> <tr><td></td><td></td><td>70</td><td>69</td><td></td><td></td><td></td><td></td><td></td><td></td><td>63</td><td>62</td><td>61</td><td>60</td><td></td><td>58</td><td>57</td><td>56</td><td>55</td><td>54</td><td>53</td></tr> <tr><td>52</td><td>51</td><td></td><td>49</td><td></td><td>47</td><td></td><td></td><td></td><td>44</td><td>43</td><td>42</td><td>41</td><td></td><td></td><td></td><td>37</td><td>36</td><td>35</td><td>34</td><td>33</td></tr> <tr><td colspan="2">73</td><td></td><td>32</td><td></td><td></td><td>29</td><td>28</td><td>27</td><td>26</td><td>25</td><td></td><td></td><td></td><td></td><td></td><td></td><td></td><td>19</td><td>18</td><td></td></tr> <tr><td colspan="2"></td><td></td><td>16</td><td>15</td><td></td><td>13</td><td>12</td><td>11</td><td>10</td><td></td><td></td><td></td><td></td><td></td><td></td><td></td><td></td><td>3</td><td></td><td></td></tr> </table>			70	69							63	62	61	60		58	57	56	55	54	53	52	51		49		47				44	43	42	41				37	36	35	34	33	73			32			29	28	27	26	25								19	18					16	15		13	12	11	10									3		
		70	69							63	62	61	60		58	57	56	55	54	53																																																																						
52	51		49		47				44	43	42	41				37	36	35	34	33																																																																						
73			32			29	28	27	26	25								19	18																																																																							
			16	15		13	12	11	10									3																																																																								
AVAILABLE	NOT APPLICABLE	34566-5163	9	A	BLACK	<table border="1"> <tr><td>72</td><td></td><td></td><td>69</td><td>67</td><td></td><td>65</td><td></td><td>63</td><td></td><td></td><td></td><td>60</td><td></td><td></td><td>57</td><td>56</td><td></td><td></td><td>53</td></tr> <tr><td></td><td></td><td></td><td>49</td><td>47</td><td></td><td></td><td>44</td><td>43</td><td></td><td></td><td></td><td>40</td><td></td><td></td><td>37</td><td>36</td><td>35</td><td></td><td>33</td></tr> <tr><td colspan="2">73</td><td></td><td></td><td>31</td><td>30</td><td>29</td><td>28</td><td></td><td></td><td></td><td></td><td>24</td><td></td><td></td><td>21</td><td>20</td><td></td><td></td><td>17</td></tr> <tr><td colspan="2"></td><td></td><td>16</td><td>15</td><td>14</td><td></td><td></td><td>11</td><td>10</td><td></td><td></td><td></td><td></td><td></td><td>5</td><td>4</td><td>3</td><td>2</td><td>1</td></tr> </table>	72			69	67		65		63				60			57	56			53				49	47			44	43				40			37	36	35		33	73				31	30	29	28					24			21	20			17				16	15	14			11	10						5	4	3	2	1				
72			69	67		65		63				60			57	56			53																																																																							
			49	47			44	43				40			37	36	35		33																																																																							
73				31	30	29	28					24			21	20			17																																																																							
			16	15	14			11	10						5	4	3	2	1																																																																							
AVAILABLE	NOT APPLICABLE	34566-5173	9	B	ST.GRAY	<table border="1"> <tr><td></td><td></td><td></td><td></td><td>68</td><td>67</td><td></td><td></td><td>64</td><td>63</td><td></td><td></td><td></td><td>59</td><td>57</td><td></td><td></td><td></td><td></td><td></td></tr> <tr><td></td><td></td><td></td><td></td><td></td><td>46</td><td>45</td><td></td><td>43</td><td></td><td></td><td></td><td></td><td>39</td><td>37</td><td></td><td></td><td></td><td></td><td></td></tr> <tr><td colspan="2">73</td><td></td><td>32</td><td></td><td>30</td><td>29</td><td>28</td><td>27</td><td></td><td></td><td></td><td></td><td></td><td>21</td><td></td><td></td><td></td><td></td><td></td></tr> <tr><td colspan="2"></td><td></td><td></td><td></td><td></td><td></td><td></td><td></td><td>10</td><td></td><td></td><td></td><td>6</td><td>5</td><td>4</td><td>3</td><td></td><td></td><td></td></tr> </table>					68	67			64	63				59	57											46	45		43					39	37						73			32		30	29	28	27						21															10				6	5	4	3							
				68	67			64	63				59	57																																																																												
					46	45		43					39	37																																																																												
73			32		30	29	28	27						21																																																																												
									10				6	5	4	3																																																																										

QUALITY SYMBOLS 	THIS DRAWING CONTAINS INFORMATION THAT IS PROPRIETARY TO MOLEX ELECTRONIC TECHNOLOGIES, LLC AND SHOULD NOT BE USED WITHOUT WRITTEN PERMISSION										
	EC NO: 115012 DRWN: TYE CHKD: REV APPR: JDENG02	2017/03/27	2017/03/30	GENERAL TOLERANCES (UNLESS SPECIFIED)		DIMENSION UNITS	SCALE	 MX123 66/73/80CKT HRNS CONN ASSY PRODUCT CUSTOMER DRAWING			
		ANGULAR TOL ± °		MM	1:1						
		4 PLACES ±	DRWN BY	DATE	SKRAJENDRANA	2011/02/14					
		3 PLACES ±	CHKD BY	DATE	MVANSLAMBROU	2011/02/14					
		2 PLACES ±	APPR BY	DATE							
	1 PLACE ±	DRAWING SIZE		THIRD ANGLE PROJECTION		SERIES: 34566 MATERIAL NUMBER: SEE BOM TABLE CUSTOMER: GENERAL MARKET					
	0 PLACES ±	DRAFT WHERE APPLICABLE MUST REMAIN WITHIN DIMENSIONS		D		DOCUMENT NUMBER: SD-34566-001 DOC TYPE: PSD DOC PART: 000 SHEET NUMBER: 58 OF 92					

STATUS	GM PART #	MATERIAL #	WIRE DRESS OPTION	KEY OPTION	COLOR (TPA)	NUMBERS INDICATE CAVITIES OPEN FOR CIRCUITS F _p																																																																																
AVAILABLE	NOT APPLICABLE	34566-5283	0	C	BLUE	<table border="1"> <tr><td>72</td><td></td><td>70</td><td></td><td>68</td><td>67</td><td>66</td><td></td><td></td><td>63</td><td>62</td><td></td><td></td><td>59</td><td></td><td>57</td><td>56</td><td>55</td><td>54</td><td>53</td></tr> <tr><td>52</td><td>51</td><td></td><td></td><td>48</td><td>47</td><td>46</td><td></td><td>44</td><td>42</td><td></td><td>40</td><td>39</td><td></td><td></td><td></td><td></td><td></td><td>34</td><td>33</td></tr> <tr><td colspan="2">73</td><td></td><td>32</td><td></td><td>30</td><td></td><td></td><td></td><td>26</td><td>25</td><td></td><td></td><td></td><td>22</td><td>21</td><td></td><td>19</td><td>18</td><td></td></tr> <tr><td colspan="2"></td><td></td><td></td><td>15</td><td>14</td><td></td><td></td><td></td><td>10</td><td>9</td><td></td><td></td><td></td><td>6</td><td>5</td><td>4</td><td>3</td><td></td><td></td></tr> </table>	72		70		68	67	66			63	62			59		57	56	55	54	53	52	51			48	47	46		44	42		40	39						34	33	73			32		30				26	25				22	21		19	18						15	14				10	9				6	5	4	3		
72		70		68	67	66			63	62			59		57	56	55	54	53																																																																			
52	51			48	47	46		44	42		40	39						34	33																																																																			
73			32		30				26	25				22	21		19	18																																																																				
				15	14				10	9				6	5	4	3																																																																					
AVAILABLE	NOT APPLICABLE	34566-5293	0	A	BLACK	<table border="1"> <tr><td></td><td></td><td>70</td><td>69</td><td></td><td></td><td></td><td></td><td></td><td>63</td><td>62</td><td>61</td><td>60</td><td></td><td>58</td><td>57</td><td>56</td><td>55</td><td>54</td><td>53</td></tr> <tr><td>52</td><td>51</td><td></td><td>49</td><td></td><td></td><td></td><td></td><td>44</td><td>43</td><td>42</td><td>41</td><td>40</td><td></td><td></td><td>37</td><td>36</td><td></td><td>34</td><td></td></tr> <tr><td colspan="2">73</td><td></td><td>32</td><td></td><td></td><td>29</td><td>28</td><td>27</td><td>26</td><td></td><td></td><td></td><td></td><td></td><td></td><td></td><td>19</td><td>18</td><td>17</td></tr> <tr><td colspan="2"></td><td></td><td>16</td><td>15</td><td></td><td>13</td><td>12</td><td>11</td><td>10</td><td></td><td></td><td></td><td></td><td></td><td></td><td></td><td>3</td><td>2</td><td>1</td></tr> </table>			70	69						63	62	61	60		58	57	56	55	54	53	52	51		49					44	43	42	41	40			37	36		34		73			32			29	28	27	26								19	18	17				16	15		13	12	11	10								3	2	1
		70	69						63	62	61	60		58	57	56	55	54	53																																																																			
52	51		49					44	43	42	41	40			37	36		34																																																																				
73			32			29	28	27	26								19	18	17																																																																			
			16	15		13	12	11	10								3	2	1																																																																			
AVAILABLE	NOT APPLICABLE	34566-5313	0	C	BLUE	<table border="1"> <tr><td>72</td><td></td><td>70</td><td></td><td>68</td><td>67</td><td>66</td><td></td><td></td><td>63</td><td>62</td><td></td><td></td><td>59</td><td></td><td>57</td><td>56</td><td>55</td><td>54</td><td>53</td></tr> <tr><td>52</td><td>51</td><td></td><td></td><td>48</td><td>47</td><td>46</td><td></td><td>44</td><td>42</td><td></td><td>40</td><td>39</td><td>38</td><td>37</td><td>36</td><td></td><td></td><td>34</td><td>33</td></tr> <tr><td colspan="2">73</td><td></td><td>32</td><td></td><td>30</td><td></td><td></td><td>27</td><td>26</td><td>25</td><td>24</td><td></td><td>22</td><td>21</td><td></td><td>19</td><td>18</td><td></td><td></td></tr> <tr><td colspan="2"></td><td></td><td></td><td>15</td><td>14</td><td></td><td></td><td></td><td>10</td><td>9</td><td>8</td><td></td><td>6</td><td>5</td><td>4</td><td>3</td><td>2</td><td></td><td></td></tr> </table>	72		70		68	67	66			63	62			59		57	56	55	54	53	52	51			48	47	46		44	42		40	39	38	37	36			34	33	73			32		30			27	26	25	24		22	21		19	18							15	14				10	9	8		6	5	4	3	2		
72		70		68	67	66			63	62			59		57	56	55	54	53																																																																			
52	51			48	47	46		44	42		40	39	38	37	36			34	33																																																																			
73			32		30			27	26	25	24		22	21		19	18																																																																					
				15	14				10	9	8		6	5	4	3	2																																																																					
AVAILABLE	NOT APPLICABLE	34566-5323	0	G	BLUE	<table border="1"> <tr><td>80</td><td>78</td><td>77</td><td></td><td>75</td><td>74</td><td>73</td><td>72</td><td></td><td>70</td><td>69</td><td></td><td>67</td><td></td><td>65</td><td>64</td><td>63</td><td>62</td><td></td><td></td></tr> <tr><td>60</td><td>58</td><td>57</td><td></td><td>55</td><td>54</td><td></td><td>52</td><td>51</td><td>50</td><td>49</td><td></td><td>47</td><td></td><td>45</td><td></td><td></td><td></td><td></td><td></td></tr> <tr><td>40</td><td>38</td><td>37</td><td></td><td></td><td></td><td>33</td><td>32</td><td>31</td><td></td><td></td><td></td><td>27</td><td>26</td><td>25</td><td>24</td><td></td><td></td><td></td><td></td></tr> <tr><td>20</td><td>18</td><td>17</td><td></td><td></td><td></td><td></td><td></td><td></td><td>10</td><td>9</td><td>8</td><td></td><td>6</td><td>5</td><td>4</td><td>3</td><td>2</td><td>1</td><td></td></tr> </table>	80	78	77		75	74	73	72		70	69		67		65	64	63	62			60	58	57		55	54		52	51	50	49		47		45						40	38	37				33	32	31				27	26	25	24					20	18	17							10	9	8		6	5	4	3	2	1	
80	78	77		75	74	73	72		70	69		67		65	64	63	62																																																																					
60	58	57		55	54		52	51	50	49		47		45																																																																								
40	38	37				33	32	31				27	26	25	24																																																																							
20	18	17							10	9	8		6	5	4	3	2	1																																																																				
AVAILABLE	NOT APPLICABLE	34566-5333	0	A	BLACK	<table border="1"> <tr><td>72</td><td>71</td><td>70</td><td></td><td>68</td><td>67</td><td>66</td><td>65</td><td>64</td><td>63</td><td>62</td><td></td><td>60</td><td>59</td><td></td><td></td><td>56</td><td></td><td></td><td>53</td></tr> <tr><td></td><td>51</td><td></td><td>49</td><td>48</td><td>47</td><td>46</td><td>45</td><td>44</td><td>43</td><td></td><td>41</td><td>40</td><td></td><td></td><td></td><td></td><td></td><td></td><td></td></tr> <tr><td colspan="2">73</td><td></td><td></td><td></td><td></td><td>30</td><td>29</td><td>28</td><td></td><td>26</td><td>25</td><td>24</td><td></td><td></td><td></td><td>20</td><td></td><td></td><td>17</td></tr> <tr><td colspan="2"></td><td></td><td></td><td></td><td></td><td></td><td></td><td>12</td><td>11</td><td></td><td></td><td></td><td></td><td></td><td></td><td></td><td></td><td></td><td></td></tr> </table>	72	71	70		68	67	66	65	64	63	62		60	59			56			53		51		49	48	47	46	45	44	43		41	40								73						30	29	28		26	25	24				20			17									12	11										
72	71	70		68	67	66	65	64	63	62		60	59			56			53																																																																			
	51		49	48	47	46	45	44	43		41	40																																																																										
73						30	29	28		26	25	24				20			17																																																																			
								12	11																																																																													
AVAILABLE	NOT APPLICABLE	34566-5343	0	B	ST.GRAY	<table border="1"> <tr><td></td><td></td><td></td><td></td><td>68</td><td>67</td><td></td><td></td><td>64</td><td></td><td></td><td></td><td></td><td>59</td><td>58</td><td></td><td></td><td></td><td>54</td><td></td></tr> <tr><td></td><td></td><td></td><td></td><td></td><td></td><td>46</td><td>45</td><td></td><td></td><td></td><td></td><td></td><td>39</td><td>38</td><td></td><td></td><td></td><td></td><td></td></tr> <tr><td colspan="2">73</td><td></td><td>32</td><td></td><td>30</td><td>29</td><td>28</td><td>27</td><td></td><td></td><td></td><td></td><td>23</td><td>22</td><td></td><td></td><td></td><td></td><td>17</td></tr> <tr><td colspan="2"></td><td></td><td></td><td></td><td></td><td></td><td></td><td>12</td><td></td><td>10</td><td></td><td>8</td><td></td><td>6</td><td></td><td></td><td></td><td></td><td>1</td></tr> </table>					68	67			64					59	58				54								46	45						39	38						73			32		30	29	28	27					23	22					17									12		10		8		6					1
				68	67			64					59	58				54																																																																				
						46	45						39	38																																																																								
73			32		30	29	28	27					23	22					17																																																																			
								12		10		8		6					1																																																																			
AVAILABLE	NOT APPLICABLE	34566-5353	9	B	ST.GRAY	<table border="1"> <tr><td></td><td></td><td></td><td></td><td>68</td><td>67</td><td></td><td></td><td>64</td><td>63</td><td></td><td></td><td></td><td>59</td><td>58</td><td></td><td></td><td>55</td><td>54</td><td></td></tr> <tr><td></td><td></td><td></td><td></td><td></td><td></td><td>46</td><td>45</td><td>44</td><td>43</td><td></td><td></td><td></td><td>39</td><td>38</td><td></td><td></td><td>35</td><td>34</td><td></td></tr> <tr><td colspan="2">73</td><td></td><td>32</td><td></td><td>30</td><td>29</td><td>28</td><td>27</td><td></td><td></td><td></td><td></td><td>23</td><td>22</td><td></td><td></td><td>19</td><td>17</td><td></td></tr> <tr><td colspan="2"></td><td></td><td></td><td></td><td>15</td><td></td><td>13</td><td>12</td><td></td><td>10</td><td></td><td></td><td>6</td><td></td><td></td><td></td><td></td><td></td><td>1</td></tr> </table>					68	67			64	63				59	58			55	54								46	45	44	43				39	38			35	34		73			32		30	29	28	27					23	22			19	17							15		13	12		10			6						1
				68	67			64	63				59	58			55	54																																																																				
						46	45	44	43				39	38			35	34																																																																				
73			32		30	29	28	27					23	22			19	17																																																																				
					15		13	12		10			6						1																																																																			
AVAILABLE	NOT APPLICABLE	34566-5363	0	C	BLUE	<table border="1"> <tr><td>72</td><td></td><td>70</td><td></td><td>68</td><td></td><td>66</td><td></td><td></td><td>63</td><td>62</td><td></td><td></td><td>59</td><td></td><td>57</td><td></td><td></td><td></td><td>53</td></tr> <tr><td>52</td><td>51</td><td></td><td></td><td>48</td><td>47</td><td>46</td><td></td><td>44</td><td></td><td>42</td><td></td><td>40</td><td>39</td><td>38</td><td></td><td></td><td></td><td>34</td><td>33</td></tr> <tr><td colspan="2">73</td><td></td><td>32</td><td></td><td>30</td><td></td><td></td><td></td><td></td><td>26</td><td>25</td><td></td><td></td><td>22</td><td>21</td><td></td><td></td><td></td><td></td></tr> <tr><td colspan="2"></td><td></td><td></td><td>15</td><td>14</td><td></td><td></td><td></td><td></td><td>10</td><td>9</td><td></td><td></td><td>6</td><td>5</td><td>4</td><td></td><td></td><td></td></tr> </table>	72		70		68		66			63	62			59		57				53	52	51			48	47	46		44		42		40	39	38				34	33	73			32		30					26	25			22	21									15	14					10	9			6	5	4			
72		70		68		66			63	62			59		57				53																																																																			
52	51			48	47	46		44		42		40	39	38				34	33																																																																			
73			32		30					26	25			22	21																																																																							
				15	14					10	9			6	5	4																																																																						
AVAILABLE	NOT APPLICABLE	34566-5373	0	C	BLUE	<table border="1"> <tr><td>72</td><td></td><td>70</td><td></td><td>68</td><td></td><td>66</td><td></td><td></td><td>63</td><td>62</td><td></td><td></td><td>59</td><td></td><td>57</td><td></td><td></td><td></td><td>53</td></tr> <tr><td>52</td><td>51</td><td></td><td></td><td>48</td><td>47</td><td>46</td><td></td><td>44</td><td></td><td>42</td><td></td><td>40</td><td>39</td><td></td><td></td><td></td><td></td><td>34</td><td>33</td></tr> <tr><td colspan="2">73</td><td></td><td>32</td><td></td><td>30</td><td></td><td></td><td></td><td></td><td>26</td><td>25</td><td></td><td></td><td>22</td><td>21</td><td></td><td></td><td></td><td></td></tr> <tr><td colspan="2"></td><td></td><td></td><td>15</td><td>14</td><td></td><td></td><td></td><td></td><td>10</td><td>9</td><td></td><td></td><td>6</td><td></td><td></td><td></td><td></td><td></td></tr> </table>	72		70		68		66			63	62			59		57				53	52	51			48	47	46		44		42		40	39					34	33	73			32		30					26	25			22	21									15	14					10	9			6					
72		70		68		66			63	62			59		57				53																																																																			
52	51			48	47	46		44		42		40	39					34	33																																																																			
73			32		30					26	25			22	21																																																																							
				15	14					10	9			6																																																																								

QUALITY SYMBOLS = 0 = 0 = 0 = 0 = 0 = 0 = 0 = 0 = 0	THIS DRAWING CONTAINS INFORMATION THAT IS PROPRIETARY TO MOLEX ELECTRONIC TECHNOLOGIES, LLC AND SHOULD NOT BE USED WITHOUT WRITTEN PERMISSION										
	EC NO: 115012	DRWN: TYE	CHKD: JDENG02	REV: APPR: JDENG02	GENERAL TOLERANCES (UNLESS SPECIFIED)		DIMENSION UNITS	SCALE	 MX123 66/73/80CKT HRNS CONN ASSY		
	2017/03/27	2017/03/30			MM	1:1					
	ANGULAR TOL ± °		DRWN BY	DATE	PRODUCT CUSTOMER DRAWING SERIES: 34566 MATERIAL NUMBER: SEE BOM TABLE CUSTOMER: GENERAL MARKET						
	4 PLACES ±	SKRAJENDRANA	2011/02/14								
	3 PLACES ±	CHKD BY	DATE	DOCUMENT NUMBER: SD-34566-001 DOC TYPE: PSD DOC PART: 000 SHEET NUMBER: 60 OF 92							
	2 PLACES ±	MVANSLAMBROU	2011/02/14								
	1 PLACE ±	APPR BY	DATE	DRAWING SIZE: D THIRD ANGLE PROJECTION:							
	0 PLACES ±										
	DRAFT WHERE APPLICABLE MUST REMAIN WITHIN DIMENSIONS										

STATUS	GM PART #	MATERIAL #	WIRE DRESS OPTION	KEY OPTION	COLOR (TPA)	NUMBERS INDICATE CAVITIES OPEN FOR CIRCUITS F _P																																																										
AVAILABLE	NOT APPLICABLE	34566-5383	0	C	BLUE	<table border="1"> <tr><td>72</td><td>70</td><td>68</td><td>66</td><td>63</td><td>62</td><td>59</td><td>57</td><td>53</td></tr> <tr><td>52</td><td>51</td><td>48</td><td>47</td><td>46</td><td>44</td><td>42</td><td>40</td><td>39</td><td>37</td><td>36</td><td>34</td><td>33</td></tr> <tr><td colspan="2">73</td><td>32</td><td>30</td><td>26</td><td>25</td><td>24</td><td>22</td><td>21</td><td></td><td></td><td></td><td></td></tr> <tr><td colspan="2"></td><td>15</td><td>14</td><td>10</td><td>9</td><td>8</td><td>6</td><td>5</td><td>4</td><td></td><td>2</td><td></td></tr> </table>	72	70	68	66	63	62	59	57	53	52	51	48	47	46	44	42	40	39	37	36	34	33	73		32	30	26	25	24	22	21							15	14	10	9	8	6	5	4		2											
72	70	68	66	63	62	59	57	53																																																								
52	51	48	47	46	44	42	40	39	37	36	34	33																																																				
73		32	30	26	25	24	22	21																																																								
		15	14	10	9	8	6	5	4		2																																																					
AVAILABLE	NOT APPLICABLE	34566-5393	0	A	BLACK	<table border="1"> <tr><td>70</td><td>69</td><td>63</td><td>56</td><td>55</td><td>54</td><td>53</td></tr> <tr><td>52</td><td>51</td><td>49</td><td>44</td><td>43</td><td>42</td><td>41</td><td>36</td><td>34</td></tr> <tr><td colspan="2">73</td><td>32</td><td>28</td><td>26</td><td>23</td><td>21</td><td>19</td><td>18</td></tr> <tr><td colspan="2"></td><td>16</td><td>12</td><td>10</td><td>8</td><td>5</td><td>3</td><td></td></tr> </table>	70	69	63	56	55	54	53	52	51	49	44	43	42	41	36	34	73		32	28	26	23	21	19	18			16	12	10	8	5	3																									
70	69	63	56	55	54	53																																																										
52	51	49	44	43	42	41	36	34																																																								
73		32	28	26	23	21	19	18																																																								
		16	12	10	8	5	3																																																									
AVAILABLE	NOT APPLICABLE	34566-5413	0	A	BLACK	<table border="1"> <tr><td>70</td><td>69</td><td>63</td><td>56</td><td>55</td><td>54</td><td>53</td></tr> <tr><td>52</td><td>51</td><td>49</td><td>44</td><td>43</td><td>42</td><td>41</td><td>36</td><td>34</td></tr> <tr><td colspan="2">73</td><td>32</td><td>28</td><td>26</td><td>23</td><td>21</td><td>19</td><td>18</td></tr> <tr><td colspan="2"></td><td>16</td><td>15</td><td>12</td><td>10</td><td>8</td><td>5</td><td>3</td></tr> </table>	70	69	63	56	55	54	53	52	51	49	44	43	42	41	36	34	73		32	28	26	23	21	19	18			16	15	12	10	8	5	3																								
70	69	63	56	55	54	53																																																										
52	51	49	44	43	42	41	36	34																																																								
73		32	28	26	23	21	19	18																																																								
		16	15	12	10	8	5	3																																																								
AVAILABLE ^B	NOT APPLICABLE	34566-5423	0	A	BLACK	<table border="1"> <tr><td>70</td><td>69</td><td>63</td><td>58</td><td>56</td><td>55</td><td>54</td><td>53</td></tr> <tr><td>52</td><td>51</td><td>49</td><td>44</td><td>43</td><td>42</td><td>41</td><td>36</td><td>34</td></tr> <tr><td colspan="2">73</td><td>32</td><td>28</td><td>26</td><td></td><td></td><td>19</td><td>18</td></tr> <tr><td colspan="2"></td><td>16</td><td>12</td><td>10</td><td></td><td></td><td>3</td><td></td></tr> </table>	70	69	63	58	56	55	54	53	52	51	49	44	43	42	41	36	34	73		32	28	26			19	18			16	12	10			3																								
70	69	63	58	56	55	54	53																																																									
52	51	49	44	43	42	41	36	34																																																								
73		32	28	26			19	18																																																								
		16	12	10			3																																																									
AVAILABLE	NOT APPLICABLE	34566-5433	9	B	ST.GRAY	<table border="1"> <tr><td>68</td><td>67</td><td>64</td><td>59</td><td>58</td><td>54</td></tr> <tr><td></td><td>46</td><td>45</td><td>39</td><td>38</td><td></td></tr> <tr><td colspan="2">73</td><td>32</td><td>30</td><td>29</td><td>28</td><td>27</td><td>23</td><td>22</td><td>17</td></tr> <tr><td colspan="2"></td><td></td><td></td><td>10</td><td></td><td></td><td>6</td><td></td><td>1</td></tr> </table>	68	67	64	59	58	54		46	45	39	38		73		32	30	29	28	27	23	22	17					10			6		1																										
68	67	64	59	58	54																																																											
	46	45	39	38																																																												
73		32	30	29	28	27	23	22	17																																																							
				10			6		1																																																							
AVAILABLE ^B	NOT APPLICABLE ^B	34566-5443	9	B	ST.GRAY	<table border="1"> <tr><td>68</td><td>67</td><td>64</td><td>59</td><td>58</td><td>54</td></tr> <tr><td></td><td>46</td><td>45</td><td>39</td><td>38</td><td></td></tr> <tr><td colspan="2">73</td><td>32</td><td>30</td><td>29</td><td>28</td><td>27</td><td>23</td><td>22</td><td>17</td></tr> <tr><td colspan="2"></td><td>15</td><td>13</td><td>10</td><td></td><td></td><td>6</td><td></td><td>1</td></tr> </table>	68	67	64	59	58	54		46	45	39	38		73		32	30	29	28	27	23	22	17			15	13	10			6		1																										
68	67	64	59	58	54																																																											
	46	45	39	38																																																												
73		32	30	29	28	27	23	22	17																																																							
		15	13	10			6		1																																																							
AVAILABLE	NOT APPLICABLE	34566-5453	0	B	ST.GRAY	<table border="1"> <tr><td>68</td><td>67</td><td>64</td><td>59</td><td>58</td><td>54</td></tr> <tr><td></td><td>46</td><td>45</td><td>39</td><td>38</td><td></td></tr> <tr><td colspan="2">73</td><td>32</td><td>30</td><td>29</td><td>28</td><td>27</td><td>23</td><td>22</td><td>17</td></tr> <tr><td colspan="2"></td><td>15</td><td>13</td><td>10</td><td></td><td></td><td>6</td><td></td><td>1</td></tr> </table>	68	67	64	59	58	54		46	45	39	38		73		32	30	29	28	27	23	22	17			15	13	10			6		1																										
68	67	64	59	58	54																																																											
	46	45	39	38																																																												
73		32	30	29	28	27	23	22	17																																																							
		15	13	10			6		1																																																							
AVAILABLE	NOT APPLICABLE	34566-5463	0	A	BLACK	<table border="1"> <tr><td>72</td><td>70</td><td>63</td><td></td><td></td><td></td><td></td><td></td><td></td><td></td><td></td><td></td><td></td></tr> <tr><td>52</td><td>51</td><td>49</td><td></td><td></td><td></td><td>41</td><td></td><td></td><td></td><td></td><td></td><td></td></tr> <tr><td colspan="2">73</td><td>31</td><td>30</td><td>28</td><td>27</td><td>26</td><td>23</td><td>20</td><td>19</td><td></td><td></td><td></td></tr> <tr><td colspan="2"></td><td>16</td><td>15</td><td>14</td><td>12</td><td>10</td><td>6</td><td></td><td></td><td></td><td></td><td></td></tr> </table>	72	70	63											52	51	49				41							73		31	30	28	27	26	23	20	19						16	15	14	12	10	6											
72	70	63																																																														
52	51	49				41																																																										
73		31	30	28	27	26	23	20	19																																																							
		16	15	14	12	10	6																																																									
AVAILABLE	NOT APPLICABLE	34566-5473	0	A	BLACK	<table border="1"> <tr><td>72</td><td>71</td><td>70</td><td>68</td><td>67</td><td>66</td><td>65</td><td>64</td><td>63</td><td>62</td><td>60</td><td>59</td><td>56</td><td>53</td></tr> <tr><td>52</td><td>51</td><td></td><td>48</td><td>47</td><td>46</td><td>45</td><td>44</td><td>43</td><td>42</td><td>41</td><td>40</td><td></td><td></td></tr> <tr><td colspan="2">73</td><td></td><td>31</td><td>30</td><td>29</td><td>28</td><td>27</td><td>26</td><td>25</td><td>24</td><td>23</td><td>20</td><td>19</td><td>17</td></tr> <tr><td colspan="2"></td><td></td><td>16</td><td>15</td><td>14</td><td>12</td><td>11</td><td>10</td><td></td><td></td><td>6</td><td></td><td></td><td></td></tr> </table>	72	71	70	68	67	66	65	64	63	62	60	59	56	53	52	51		48	47	46	45	44	43	42	41	40			73			31	30	29	28	27	26	25	24	23	20	19	17				16	15	14	12	11	10			6			
72	71	70	68	67	66	65	64	63	62	60	59	56	53																																																			
52	51		48	47	46	45	44	43	42	41	40																																																					
73			31	30	29	28	27	26	25	24	23	20	19	17																																																		
			16	15	14	12	11	10			6																																																					

QUALITY SYMBOLS 	THIS DRAWING CONTAINS INFORMATION THAT IS PROPRIETARY TO MOLEX ELECTRONIC TECHNOLOGIES, LLC AND SHOULD NOT BE USED WITHOUT WRITTEN PERMISSION										
	EC NO: 115012 DRWN: TYE CHKD: JDENG02 REV APPR: JDENG02	GENERAL TOLERANCES (UNLESS SPECIFIED)		DIMENSION UNITS	SCALE						
		ANGULAR TOL ± °		MM	1:1						
		4 PLACES ±	DRWN BY	DATE							
		3 PLACES ±	SKRAJENDRANA	2011/02/14							
		2 PLACES ±	CHKD BY	DATE							
	1 PLACE ±	MVANSLAMBROU	2011/02/14								
	0 PLACES ±	APPR BY	DATE	DRAWING SIZE		THIRD ANGLE PROJECTION		SERIES: 34566 MATERIAL NUMBER: SEE BOM TABLE CUSTOMER: GENERAL MARKET			
	DRAFT WHERE APPLICABLE MUST REMAIN WITHIN DIMENSIONS		D			DOCUMENT NUMBER: SD-34566-001		DOC TYPE: PSD	DOC PART: 000	SHEET NUMBER: 61 OF 92	

STATUS	GM PART #	MATERIAL #	WIRE DRESS OPTION	KEY OPTION	COLOR (TPA)	NUMBERS INDICATE CAVITIES OPEN FOR CIRCUITS F _p																																																																												
AVAILABLE	NOT APPLICABLE	34566-5483	0	B	ST.GRAY	<table border="1"> <tr><td>72</td><td>70</td><td>68</td><td>66</td><td>64</td><td>63</td><td>60</td><td>59</td><td>55</td><td>54</td><td>53</td></tr> <tr><td>52</td><td>50</td><td>48</td><td>46</td><td></td><td></td><td>40</td><td>39</td><td>35</td><td>34</td><td>33</td></tr> <tr><td colspan="2">73</td><td>32</td><td>31</td><td>30</td><td>29</td><td>28</td><td>27</td><td>26</td><td>25</td><td>24</td><td>20</td><td>17</td></tr> <tr><td colspan="2"></td><td>16</td><td></td><td></td><td></td><td>10</td><td>8</td><td>5</td><td>4</td><td>2</td><td>1</td><td></td></tr> </table>	72	70	68	66	64	63	60	59	55	54	53	52	50	48	46			40	39	35	34	33	73		32	31	30	29	28	27	26	25	24	20	17			16				10	8	5	4	2	1																													
72	70	68	66	64	63	60	59	55	54	53																																																																								
52	50	48	46			40	39	35	34	33																																																																								
73		32	31	30	29	28	27	26	25	24	20	17																																																																						
		16				10	8	5	4	2	1																																																																							
AVAILABLE	NOT APPLICABLE	34566-5493	0	A	BLACK	<table border="1"> <tr><td>72</td><td>70</td><td>69</td><td></td><td></td><td></td><td>63</td><td>60</td><td>59</td><td>58</td><td>57</td><td>56</td><td>55</td><td>54</td><td>53</td></tr> <tr><td>52</td><td>51</td><td>49</td><td></td><td></td><td></td><td>44</td><td>43</td><td>42</td><td>41</td><td>40</td><td>37</td><td>36</td><td>34</td><td></td></tr> <tr><td colspan="2">73</td><td>32</td><td></td><td></td><td></td><td>28</td><td>26</td><td></td><td></td><td></td><td></td><td>19</td><td>18</td><td>17</td></tr> <tr><td colspan="2"></td><td>16</td><td>15</td><td></td><td></td><td>12</td><td>10</td><td></td><td></td><td></td><td></td><td>3</td><td>2</td><td>1</td></tr> </table>	72	70	69				63	60	59	58	57	56	55	54	53	52	51	49				44	43	42	41	40	37	36	34		73		32				28	26					19	18	17			16	15			12	10					3	2	1																
72	70	69				63	60	59	58	57	56	55	54	53																																																																				
52	51	49				44	43	42	41	40	37	36	34																																																																					
73		32				28	26					19	18	17																																																																				
		16	15			12	10					3	2	1																																																																				
AVAILABLE	NOT APPLICABLE	34566-5513	9	B	ST.GRAY	<table border="1"> <tr><td></td><td></td><td>68</td><td>67</td><td></td><td></td><td>64</td><td>63</td><td></td><td></td><td></td><td>58</td><td></td><td>55</td><td></td></tr> <tr><td></td><td></td><td></td><td></td><td>46</td><td>45</td><td></td><td>43</td><td></td><td></td><td></td><td>38</td><td></td><td>35</td><td></td></tr> <tr><td colspan="2">73</td><td>32</td><td></td><td>30</td><td>29</td><td>28</td><td>27</td><td></td><td></td><td></td><td>22</td><td></td><td>19</td><td>17</td></tr> <tr><td colspan="2"></td><td></td><td></td><td></td><td></td><td></td><td>10</td><td></td><td></td><td></td><td></td><td></td><td></td><td>1</td></tr> </table>			68	67			64	63				58		55						46	45		43				38		35		73		32		30	29	28	27				22		19	17								10							1																
		68	67			64	63				58		55																																																																					
				46	45		43				38		35																																																																					
73		32		30	29	28	27				22		19	17																																																																				
							10							1																																																																				
AVAILABLE	NOT APPLICABLE	34566-5523	9	A	BLACK	<table border="1"> <tr><td>72</td><td></td><td>69</td><td>67</td><td>66</td><td>65</td><td></td><td>63</td><td></td><td></td><td>60</td><td></td><td>57</td><td>56</td><td></td><td>53</td></tr> <tr><td></td><td></td><td>49</td><td>47</td><td></td><td></td><td>44</td><td>43</td><td>42</td><td></td><td>40</td><td></td><td>37</td><td>36</td><td>35</td><td>33</td></tr> <tr><td colspan="2">73</td><td></td><td>31</td><td>30</td><td>29</td><td>28</td><td>27</td><td>26</td><td></td><td>24</td><td></td><td>21</td><td>20</td><td></td><td>17</td></tr> <tr><td colspan="2"></td><td></td><td>16</td><td>15</td><td>14</td><td>13</td><td></td><td>11</td><td>10</td><td></td><td></td><td>5</td><td>4</td><td>3</td><td>2</td><td>1</td></tr> </table>	72		69	67	66	65		63			60		57	56		53			49	47			44	43	42		40		37	36	35	33	73			31	30	29	28	27	26		24		21	20		17				16	15	14	13		11	10			5	4	3	2	1											
72		69	67	66	65		63			60		57	56		53																																																																			
		49	47			44	43	42		40		37	36	35	33																																																																			
73			31	30	29	28	27	26		24		21	20		17																																																																			
			16	15	14	13		11	10			5	4	3	2	1																																																																		
AVAILABLE	NOT APPLICABLE	34566-5533	9	B	ST.GRAY	<table border="1"> <tr><td></td><td></td><td>68</td><td>67</td><td></td><td></td><td>64</td><td></td><td></td><td></td><td></td><td>59</td><td>58</td><td></td><td></td><td>54</td></tr> <tr><td></td><td></td><td></td><td></td><td>46</td><td>45</td><td></td><td></td><td></td><td></td><td></td><td>39</td><td>38</td><td></td><td></td><td></td></tr> <tr><td colspan="2">73</td><td>32</td><td></td><td>30</td><td>29</td><td>28</td><td>27</td><td></td><td></td><td></td><td>23</td><td>22</td><td></td><td></td><td>17</td></tr> <tr><td colspan="2"></td><td></td><td></td><td></td><td></td><td></td><td>10</td><td>9</td><td>8</td><td></td><td>6</td><td></td><td></td><td></td><td>1</td></tr> </table>			68	67			64					59	58			54					46	45						39	38				73		32		30	29	28	27				23	22			17								10	9	8		6				1												
		68	67			64					59	58			54																																																																			
				46	45						39	38																																																																						
73		32		30	29	28	27				23	22			17																																																																			
							10	9	8		6				1																																																																			
AVAILABLE	NOT APPLICABLE	34566-5543	9	A	BLACK	<table border="1"> <tr><td></td><td></td><td>68</td><td>67</td><td></td><td></td><td>64</td><td></td><td></td><td></td><td></td><td>59</td><td>58</td><td></td><td></td><td>54</td></tr> <tr><td></td><td></td><td></td><td></td><td>46</td><td>45</td><td></td><td></td><td></td><td></td><td></td><td>39</td><td>38</td><td></td><td></td><td></td></tr> <tr><td colspan="2">73</td><td>32</td><td></td><td>30</td><td>29</td><td>28</td><td>27</td><td></td><td></td><td></td><td>23</td><td>22</td><td></td><td></td><td>17</td></tr> <tr><td colspan="2"></td><td></td><td></td><td></td><td></td><td>12</td><td>10</td><td></td><td>8</td><td></td><td>6</td><td></td><td></td><td></td><td>1</td></tr> </table>			68	67			64					59	58			54					46	45						39	38				73		32		30	29	28	27				23	22			17							12	10		8		6				1												
		68	67			64					59	58			54																																																																			
				46	45						39	38																																																																						
73		32		30	29	28	27				23	22			17																																																																			
						12	10		8		6				1																																																																			
AVAILABLE	NOT APPLICABLE	34566-5553	9	B	ST.GRAY	<table border="1"> <tr><td></td><td></td><td>68</td><td>67</td><td></td><td></td><td>64</td><td></td><td></td><td></td><td></td><td>59</td><td>58</td><td></td><td></td><td>54</td></tr> <tr><td></td><td></td><td></td><td></td><td>46</td><td>45</td><td></td><td></td><td></td><td></td><td></td><td>39</td><td>38</td><td></td><td></td><td></td></tr> <tr><td colspan="2">73</td><td>32</td><td></td><td>30</td><td>29</td><td>28</td><td>27</td><td></td><td></td><td></td><td>23</td><td>22</td><td></td><td></td><td>17</td></tr> <tr><td colspan="2"></td><td></td><td></td><td></td><td></td><td>12</td><td>10</td><td></td><td>8</td><td></td><td>6</td><td></td><td></td><td></td><td>1</td></tr> </table>			68	67			64					59	58			54					46	45						39	38				73		32		30	29	28	27				23	22			17							12	10		8		6				1												
		68	67			64					59	58			54																																																																			
				46	45						39	38																																																																						
73		32		30	29	28	27				23	22			17																																																																			
						12	10		8		6				1																																																																			
AVAILABLE	NOT APPLICABLE	34566-5563	0	A	BLACK	<table border="1"> <tr><td>72</td><td>71</td><td>70</td><td>69</td><td></td><td></td><td></td><td>64</td><td>63</td><td></td><td></td><td>60</td><td>59</td><td>58</td><td>57</td><td>56</td><td>55</td><td>54</td><td>53</td></tr> <tr><td>52</td><td>51</td><td></td><td>49</td><td>48</td><td>47</td><td></td><td>45</td><td>44</td><td>43</td><td>42</td><td>41</td><td></td><td></td><td>37</td><td>36</td><td></td><td>34</td><td>33</td></tr> <tr><td colspan="2">73</td><td></td><td>32</td><td></td><td>30</td><td></td><td>28</td><td></td><td>26</td><td></td><td></td><td></td><td></td><td></td><td></td><td>19</td><td>18</td><td>17</td></tr> <tr><td colspan="2"></td><td></td><td>16</td><td>15</td><td></td><td></td><td>12</td><td></td><td>10</td><td></td><td></td><td></td><td></td><td></td><td></td><td>3</td><td>2</td><td>1</td></tr> </table>	72	71	70	69				64	63			60	59	58	57	56	55	54	53	52	51		49	48	47		45	44	43	42	41			37	36		34	33	73			32		30		28		26							19	18	17				16	15			12		10							3	2	1
72	71	70	69				64	63			60	59	58	57	56	55	54	53																																																																
52	51		49	48	47		45	44	43	42	41			37	36		34	33																																																																
73			32		30		28		26							19	18	17																																																																
			16	15			12		10							3	2	1																																																																
AVAILABLE	NOT APPLICABLE	34566-5573	0	C	BLUE	<table border="1"> <tr><td>72</td><td>70</td><td>68</td><td></td><td>66</td><td></td><td></td><td>63</td><td>62</td><td></td><td></td><td>59</td><td>58</td><td>57</td><td>56</td><td>55</td><td></td><td>53</td></tr> <tr><td>52</td><td>51</td><td></td><td>49</td><td>48</td><td>47</td><td>46</td><td></td><td>44</td><td>42</td><td></td><td>40</td><td>39</td><td>38</td><td>37</td><td>36</td><td></td><td>34</td><td>33</td></tr> <tr><td colspan="2">73</td><td></td><td>32</td><td></td><td>30</td><td></td><td></td><td>26</td><td>25</td><td>24</td><td>23</td><td>22</td><td>21</td><td>20</td><td>19</td><td>18</td><td>17</td><td></td></tr> <tr><td colspan="2"></td><td></td><td></td><td>15</td><td>14</td><td>13</td><td></td><td>10</td><td>9</td><td>8</td><td>7</td><td>6</td><td>5</td><td>4</td><td>2</td><td>1</td><td></td><td></td></tr> </table>	72	70	68		66			63	62			59	58	57	56	55		53	52	51		49	48	47	46		44	42		40	39	38	37	36		34	33	73			32		30			26	25	24	23	22	21	20	19	18	17						15	14	13		10	9	8	7	6	5	4	2	1			
72	70	68		66			63	62			59	58	57	56	55		53																																																																	
52	51		49	48	47	46		44	42		40	39	38	37	36		34	33																																																																
73			32		30			26	25	24	23	22	21	20	19	18	17																																																																	
				15	14	13		10	9	8	7	6	5	4	2	1																																																																		

QUALITY SYMBOLS = 0 = 0 = 0 = 0 = 0 = 0 = 0 = 0 = 0	THIS DRAWING CONTAINS INFORMATION THAT IS PROPRIETARY TO MOLEX ELECTRONIC TECHNOLOGIES, LLC AND SHOULD NOT BE USED WITHOUT WRITTEN PERMISSION										
	2017/03/27	GENERAL TOLERANCES (UNLESS SPECIFIED)		DIMENSION UNITS	SCALE						
	2017/03/30	ANGULAR TOL ± °		MM	1:1						
	EC NO: 115012 DRWN: TYE CHKD: REV APPR: JDENG02	4 PLACES ±	SKRAJENDRANA	2011/02/14							
		3 PLACES ±	CHKD BY	DATE							
		2 PLACES ±	MVANSLAMBROU	2011/02/14							
		1 PLACE ±	APPR BY	DATE							
		0 PLACES ±									
	DRAFT WHERE APPLICABLE MUST REMAIN WITHIN DIMENSIONS		DRAWING SIZE	THIRD ANGLE PROJECTION	SERIES: 34566 MATERIAL NUMBER: SEE BOM TABLE CUSTOMER: GENERAL MARKET						
			D		DOCUMENT NUMBER: SD-34566-001						
				DOC TYPE: PSD	DOC PART: 000						SHEET NUMBER: 62 OF 92

STATUS	GM PART #	MATERIAL #	WIRE DRESS OPTION	KEY OPTION	COLOR (TPA)	NUMBERS INDICATE CAVITIES OPEN FOR CIRCUITS F _P																																																															
AVAILABLE	NOT APPLICABLE	34566-5583	0	B	ST.GRAY	<table border="1"> <tr><td>72</td><td>70</td><td>68</td><td>66</td><td>64</td><td>63</td><td>60</td><td>59</td><td>55</td><td>54</td><td>53</td></tr> <tr><td>52</td><td>50</td><td>48</td><td>46</td><td></td><td></td><td>40</td><td>39</td><td>35</td><td>34</td><td>33</td></tr> <tr><td colspan="2">73</td><td>32</td><td>31</td><td>30</td><td>29</td><td>28</td><td>27</td><td>26</td><td>25</td><td>24</td><td>23</td><td>20</td><td>17</td></tr> <tr><td colspan="2"></td><td>16</td><td></td><td></td><td></td><td>10</td><td>8</td><td>7</td><td>5</td><td>4</td><td>2</td><td>1</td><td></td></tr> </table>	72	70	68	66	64	63	60	59	55	54	53	52	50	48	46			40	39	35	34	33	73		32	31	30	29	28	27	26	25	24	23	20	17			16				10	8	7	5	4	2	1														
72	70	68	66	64	63	60	59	55	54	53																																																											
52	50	48	46			40	39	35	34	33																																																											
73		32	31	30	29	28	27	26	25	24	23	20	17																																																								
		16				10	8	7	5	4	2	1																																																									
AVAILABLE	NOT APPLICABLE	34566-5593	0	C	BLUE	<table border="1"> <tr><td>72</td><td>70</td><td>68</td><td>66</td><td>64</td><td>63</td><td>62</td><td>59</td><td>57</td><td>55</td><td>53</td></tr> <tr><td>52</td><td>51</td><td>48</td><td>47</td><td>46</td><td>44</td><td>42</td><td>40</td><td>39</td><td></td><td>34</td><td>33</td></tr> <tr><td colspan="2">73</td><td>32</td><td>30</td><td></td><td></td><td>26</td><td>25</td><td>23</td><td>22</td><td>21</td><td></td><td></td><td></td></tr> <tr><td colspan="2"></td><td>15</td><td>14</td><td></td><td></td><td>10</td><td>9</td><td>7</td><td>6</td><td>5</td><td>4</td><td></td><td></td></tr> </table>	72	70	68	66	64	63	62	59	57	55	53	52	51	48	47	46	44	42	40	39		34	33	73		32	30			26	25	23	22	21						15	14			10	9	7	6	5	4														
72	70	68	66	64	63	62	59	57	55	53																																																											
52	51	48	47	46	44	42	40	39		34	33																																																										
73		32	30			26	25	23	22	21																																																											
		15	14			10	9	7	6	5	4																																																										
AVAILABLE	NOT APPLICABLE	34566-5613	0	C	BLUE	<table border="1"> <tr><td>72</td><td>70</td><td>68</td><td></td><td></td><td>63</td><td>62</td><td>59</td><td>58</td><td>57</td><td></td><td></td><td>53</td></tr> <tr><td>52</td><td>51</td><td>48</td><td>47</td><td></td><td>44</td><td>42</td><td>40</td><td>39</td><td>37</td><td>36</td><td></td><td>34</td><td>33</td></tr> <tr><td colspan="2">73</td><td>32</td><td>30</td><td></td><td>27</td><td>26</td><td>25</td><td>24</td><td>23</td><td>22</td><td>21</td><td>20</td><td>17</td></tr> <tr><td colspan="2"></td><td>15</td><td>14</td><td>13</td><td></td><td></td><td>8</td><td>7</td><td>6</td><td>5</td><td>4</td><td>2</td><td>1</td></tr> </table>	72	70	68			63	62	59	58	57			53	52	51	48	47		44	42	40	39	37	36		34	33	73		32	30		27	26	25	24	23	22	21	20	17			15	14	13			8	7	6	5	4	2	1								
72	70	68			63	62	59	58	57			53																																																									
52	51	48	47		44	42	40	39	37	36		34	33																																																								
73		32	30		27	26	25	24	23	22	21	20	17																																																								
		15	14	13			8	7	6	5	4	2	1																																																								
AVAILABLE	NOT APPLICABLE	34566-5623	0	C	BLUE	<table border="1"> <tr><td>72</td><td>70</td><td>68</td><td></td><td></td><td>63</td><td>62</td><td>59</td><td>57</td><td></td><td></td><td></td><td>53</td></tr> <tr><td>52</td><td>51</td><td>48</td><td>47</td><td></td><td>44</td><td>42</td><td>40</td><td>39</td><td>37</td><td>36</td><td></td><td>34</td><td>33</td></tr> <tr><td colspan="2">73</td><td>32</td><td>30</td><td></td><td>27</td><td>26</td><td>25</td><td>24</td><td>23</td><td>22</td><td>21</td><td>20</td><td></td></tr> <tr><td colspan="2"></td><td>15</td><td>14</td><td>13</td><td></td><td></td><td>8</td><td>7</td><td>6</td><td>5</td><td>4</td><td>2</td><td></td></tr> </table>	72	70	68			63	62	59	57				53	52	51	48	47		44	42	40	39	37	36		34	33	73		32	30		27	26	25	24	23	22	21	20				15	14	13			8	7	6	5	4	2									
72	70	68			63	62	59	57				53																																																									
52	51	48	47		44	42	40	39	37	36		34	33																																																								
73		32	30		27	26	25	24	23	22	21	20																																																									
		15	14	13			8	7	6	5	4	2																																																									
AVAILABLE	NOT APPLICABLE	34566-5633	0	B	ST.GRAY	<table border="1"> <tr><td>72</td><td></td><td></td><td></td><td></td><td></td><td>62</td><td>61</td><td></td><td></td><td></td><td></td><td></td><td></td></tr> <tr><td>52</td><td></td><td></td><td>48</td><td>46</td><td>44</td><td>43</td><td>41</td><td>40</td><td></td><td></td><td></td><td></td><td></td></tr> <tr><td colspan="2">73</td><td></td><td></td><td>30</td><td></td><td></td><td></td><td></td><td></td><td></td><td>20</td><td>19</td><td>18</td></tr> <tr><td colspan="2"></td><td>16</td><td>15</td><td>14</td><td></td><td></td><td></td><td></td><td></td><td></td><td>4</td><td></td><td></td></tr> </table>	72						62	61							52			48	46	44	43	41	40						73				30							20	19	18			16	15	14							4									
72						62	61																																																														
52			48	46	44	43	41	40																																																													
73				30							20	19	18																																																								
		16	15	14							4																																																										
AVAILABLE	NOT APPLICABLE	34566-5643	0	B	ST.GRAY	<table border="1"> <tr><td>72</td><td></td><td></td><td></td><td></td><td></td><td>62</td><td>61</td><td></td><td></td><td></td><td></td><td></td><td></td></tr> <tr><td>52</td><td></td><td></td><td>48</td><td>46</td><td>43</td><td>41</td><td>40</td><td></td><td></td><td></td><td></td><td></td><td></td></tr> <tr><td colspan="2">73</td><td></td><td></td><td>30</td><td></td><td></td><td></td><td></td><td></td><td></td><td>20</td><td>19</td><td>18</td></tr> <tr><td colspan="2"></td><td>16</td><td>15</td><td>14</td><td></td><td></td><td></td><td></td><td></td><td></td><td>4</td><td></td><td></td></tr> </table>	72						62	61							52			48	46	43	41	40							73				30							20	19	18			16	15	14							4									
72						62	61																																																														
52			48	46	43	41	40																																																														
73				30							20	19	18																																																								
		16	15	14							4																																																										
AVAILABLE	NOT APPLICABLE	34566-5653	0	A	BLACK	<table border="1"> <tr><td>72</td><td>71</td><td>70</td><td>69</td><td>68</td><td>66</td><td>65</td><td>64</td><td>63</td><td>61</td><td>60</td><td>57</td><td>56</td><td>54</td><td>53</td></tr> <tr><td>52</td><td>51</td><td>50</td><td>49</td><td>48</td><td>46</td><td>45</td><td>44</td><td>43</td><td>40</td><td>39</td><td>38</td><td>37</td><td>36</td><td>34</td><td>33</td></tr> <tr><td colspan="2">73</td><td>32</td><td>31</td><td>30</td><td>29</td><td>28</td><td></td><td></td><td>26</td><td>25</td><td>23</td><td>22</td><td>21</td><td></td><td>17</td></tr> <tr><td colspan="2"></td><td>15</td><td>14</td><td>13</td><td>12</td><td></td><td></td><td></td><td>9</td><td>7</td><td>6</td><td>5</td><td></td><td></td><td>2</td></tr> </table>	72	71	70	69	68	66	65	64	63	61	60	57	56	54	53	52	51	50	49	48	46	45	44	43	40	39	38	37	36	34	33	73		32	31	30	29	28			26	25	23	22	21		17			15	14	13	12				9	7	6	5			2
72	71	70	69	68	66	65	64	63	61	60	57	56	54	53																																																							
52	51	50	49	48	46	45	44	43	40	39	38	37	36	34	33																																																						
73		32	31	30	29	28			26	25	23	22	21		17																																																						
		15	14	13	12				9	7	6	5			2																																																						
AVAILABLE	NOT APPLICABLE	34566-5663	0	C	BLUE	<table border="1"> <tr><td></td><td></td><td>69</td><td>67</td><td>66</td><td>64</td><td>62</td><td>60</td><td></td><td>57</td><td>55</td><td>54</td><td></td><td></td></tr> <tr><td>52</td><td>51</td><td>50</td><td>48</td><td>46</td><td>45</td><td>44</td><td>42</td><td></td><td>37</td><td>35</td><td>34</td><td>33</td><td></td></tr> <tr><td colspan="2">73</td><td>32</td><td>31</td><td></td><td>28</td><td>27</td><td>26</td><td></td><td></td><td>19</td><td>18</td><td></td><td></td></tr> <tr><td colspan="2"></td><td>16</td><td>15</td><td>14</td><td>13</td><td>12</td><td>11</td><td>10</td><td>9</td><td></td><td></td><td></td><td></td></tr> </table>			69	67	66	64	62	60		57	55	54			52	51	50	48	46	45	44	42		37	35	34	33		73		32	31		28	27	26			19	18					16	15	14	13	12	11	10	9											
		69	67	66	64	62	60		57	55	54																																																										
52	51	50	48	46	45	44	42		37	35	34	33																																																									
73		32	31		28	27	26			19	18																																																										
		16	15	14	13	12	11	10	9																																																												
AVAILABLE	NOT APPLICABLE	34566-5673	0	C	BLUE	<table border="1"> <tr><td></td><td></td><td>69</td><td>67</td><td>66</td><td>64</td><td>61</td><td>60</td><td></td><td>57</td><td></td><td>54</td><td></td><td></td></tr> <tr><td>52</td><td>51</td><td>50</td><td>49</td><td>48</td><td>46</td><td>45</td><td>44</td><td>41</td><td></td><td>37</td><td></td><td>34</td><td>33</td></tr> <tr><td colspan="2">73</td><td>32</td><td>31</td><td></td><td>28</td><td>27</td><td>25</td><td></td><td></td><td></td><td></td><td>18</td><td></td></tr> <tr><td colspan="2"></td><td>16</td><td>15</td><td>14</td><td>13</td><td>12</td><td>11</td><td>10</td><td>9</td><td></td><td></td><td></td><td></td></tr> </table>			69	67	66	64	61	60		57		54			52	51	50	49	48	46	45	44	41		37		34	33	73		32	31		28	27	25					18				16	15	14	13	12	11	10	9											
		69	67	66	64	61	60		57		54																																																										
52	51	50	49	48	46	45	44	41		37		34	33																																																								
73		32	31		28	27	25					18																																																									
		16	15	14	13	12	11	10	9																																																												

QUALITY SYMBOLS = 0 = 0 = 0 = 0 = 0 = 0 = 0 = 0 = 0	THIS DRAWING CONTAINS INFORMATION THAT IS PROPRIETARY TO MOLEX ELECTRONIC TECHNOLOGIES, LLC AND SHOULD NOT BE USED WITHOUT WRITTEN PERMISSION									
	2017/03/27	2017/03/30	GENERAL TOLERANCES (UNLESS SPECIFIED)		DIMENSION UNITS	SCALE				
	DRWN BY: TYE		ANGULAR TOL ± °		MM	1:1				
	CHKD: JDENG02		4 PLACES ±		DRWN BY: SKRAJENDRANA	DATE: 2011/02/14				
	REV APPR: JDENG02		3 PLACES ±		CHKD BY: MVANSLAMBROU	DATE: 2011/02/14				
	EC NO: 115012		2 PLACES ±		APPR BY: DATE:					
	DRWN: TYE		1 PLACE ±		DRAWING SIZE: D					
	CHKD: JDENG02		0 PLACES ±		THIRD ANGLE PROJECTION					
	REV APPR: JDENG02		DRAFT WHERE APPLICABLE MUST REMAIN WITHIN DIMENSIONS		SERIES: 34566					
	G49				MATERIAL NUMBER: SEE BOM TABLE					
				CUSTOMER: GENERAL MARKET						
				DOCUMENT NUMBER: SD-34566-001						
				DOC TYPE: PSD						
				DOC PART: 000						
				SHEET NUMBER: 63 OF 92						

STATUS	GM PART #	MATERIAL #	WIRE DRESS OPTION	KEY OPTION	COLOR (TPA)	NUMBERS INDICATE CAVITIES OPEN FOR CIRCUITS F _P																																																																								
AVAILABLE	NOT APPLICABLE	34566-5783	0	C	BLUE	<table border="1"> <tr><td>72</td><td>70</td><td>68</td><td></td><td></td><td></td><td>63</td><td>62</td><td></td><td></td><td>59</td><td>57</td><td></td><td></td><td>53</td></tr> <tr><td>52</td><td>51</td><td>48</td><td>47</td><td></td><td>44</td><td>42</td><td>40</td><td>39</td><td></td><td>37</td><td>36</td><td></td><td>34</td><td>33</td></tr> <tr><td colspan="2">73</td><td>32</td><td>30</td><td></td><td>27</td><td>26</td><td>25</td><td>24</td><td></td><td>22</td><td>21</td><td>20</td><td></td><td></td></tr> <tr><td colspan="2"></td><td>15</td><td>14</td><td>13</td><td></td><td></td><td></td><td>8</td><td></td><td>6</td><td>5</td><td>4</td><td></td><td>2</td></tr> </table>	72	70	68				63	62			59	57			53	52	51	48	47		44	42	40	39		37	36		34	33	73		32	30		27	26	25	24		22	21	20					15	14	13				8		6	5	4		2												
72	70	68				63	62			59	57			53																																																																
52	51	48	47		44	42	40	39		37	36		34	33																																																																
73		32	30		27	26	25	24		22	21	20																																																																		
		15	14	13				8		6	5	4		2																																																																
G28 AVAILABLE	NOT APPLICABLE	34566-5793 SAME AS P/N 34566-4013	0	B	ST.GRAY	<table border="1"> <tr><td>72</td><td>70</td><td>68</td><td>66</td><td></td><td></td><td></td><td></td><td>60</td><td>59</td><td></td><td></td><td></td><td>55</td><td>54</td><td>53</td></tr> <tr><td>52</td><td>50</td><td>48</td><td>46</td><td></td><td></td><td></td><td></td><td>40</td><td>39</td><td></td><td></td><td></td><td>35</td><td>34</td><td>33</td></tr> <tr><td colspan="2">73</td><td>32</td><td>31</td><td>30</td><td>29</td><td>28</td><td>27</td><td>26</td><td>25</td><td>24</td><td></td><td></td><td></td><td></td><td>17</td></tr> <tr><td colspan="2"></td><td>16</td><td></td><td></td><td></td><td></td><td></td><td>10</td><td>8</td><td></td><td></td><td></td><td></td><td>2</td><td>1</td></tr> </table>	72	70	68	66					60	59				55	54	53	52	50	48	46					40	39				35	34	33	73		32	31	30	29	28	27	26	25	24					17			16						10	8					2	1								
72	70	68	66					60	59				55	54	53																																																															
52	50	48	46					40	39				35	34	33																																																															
73		32	31	30	29	28	27	26	25	24					17																																																															
		16						10	8					2	1																																																															
AVAILABLE	NOT APPLICABLE	34566-5813	0	B	ST.GRAY	<table border="1"> <tr><td>72</td><td>70</td><td>68</td><td>66</td><td></td><td></td><td></td><td></td><td>60</td><td>59</td><td></td><td></td><td></td><td>55</td><td>54</td><td>53</td></tr> <tr><td>52</td><td>50</td><td>48</td><td>46</td><td></td><td></td><td></td><td></td><td>40</td><td>39</td><td></td><td></td><td></td><td>35</td><td>34</td><td>33</td></tr> <tr><td colspan="2">73</td><td>32</td><td>31</td><td>30</td><td>29</td><td>28</td><td>27</td><td>26</td><td>25</td><td>24</td><td>23</td><td></td><td>19</td><td>18</td><td>17</td></tr> <tr><td colspan="2"></td><td>16</td><td></td><td></td><td></td><td></td><td></td><td>10</td><td>8</td><td>7</td><td></td><td></td><td></td><td>2</td><td>1</td></tr> </table>	72	70	68	66					60	59				55	54	53	52	50	48	46					40	39				35	34	33	73		32	31	30	29	28	27	26	25	24	23		19	18	17			16						10	8	7				2	1								
72	70	68	66					60	59				55	54	53																																																															
52	50	48	46					40	39				35	34	33																																																															
73		32	31	30	29	28	27	26	25	24	23		19	18	17																																																															
		16						10	8	7				2	1																																																															
AVAILABLE	NOT APPLICABLE	34566-5823	0	A	BLACK	<table border="1"> <tr><td>72</td><td>70</td><td></td><td></td><td></td><td></td><td>63</td><td></td><td></td><td></td><td></td><td></td><td></td><td></td><td></td><td></td></tr> <tr><td>52</td><td></td><td>49</td><td></td><td></td><td></td><td>43</td><td>41</td><td></td><td></td><td></td><td></td><td></td><td></td><td></td><td></td></tr> <tr><td colspan="2">73</td><td></td><td>31</td><td>30</td><td>28</td><td>27</td><td>26</td><td></td><td></td><td>23</td><td></td><td></td><td>20</td><td>19</td><td></td></tr> <tr><td colspan="2"></td><td></td><td>16</td><td>15</td><td>14</td><td></td><td></td><td>10</td><td></td><td></td><td>6</td><td></td><td></td><td></td><td></td></tr> </table>	72	70					63										52		49				43	41									73			31	30	28	27	26			23			20	19					16	15	14			10			6												
72	70					63																																																																								
52		49				43	41																																																																							
73			31	30	28	27	26			23			20	19																																																																
			16	15	14			10			6																																																																			
AVAILABLE	NOT APPLICABLE	34566-5833	0	A	BLACK	<table border="1"> <tr><td>72</td><td>70</td><td></td><td></td><td></td><td></td><td>63</td><td></td><td></td><td></td><td></td><td></td><td></td><td></td><td></td><td></td></tr> <tr><td>52</td><td></td><td>49</td><td></td><td></td><td></td><td>43</td><td>41</td><td></td><td></td><td></td><td></td><td></td><td></td><td></td><td></td></tr> <tr><td colspan="2">73</td><td></td><td>31</td><td>30</td><td>28</td><td>27</td><td>26</td><td></td><td></td><td>23</td><td></td><td></td><td>20</td><td>19</td><td></td></tr> <tr><td colspan="2"></td><td></td><td>16</td><td>15</td><td>14</td><td>12</td><td></td><td>10</td><td></td><td></td><td>6</td><td></td><td></td><td></td><td></td></tr> </table>	72	70					63										52		49				43	41									73			31	30	28	27	26			23			20	19					16	15	14	12		10			6												
72	70					63																																																																								
52		49				43	41																																																																							
73			31	30	28	27	26			23			20	19																																																																
			16	15	14	12		10			6																																																																			
AVAILABLE	NOT APPLICABLE	34566-5843	0	H	ST.GRAY	<table border="1"> <tr><td></td><td>79</td><td></td><td></td><td></td><td>74</td><td>73</td><td>72</td><td>71</td><td></td><td>68</td><td>67</td><td></td><td>65</td><td>64</td><td>63</td><td>62</td><td>61</td></tr> <tr><td></td><td>59</td><td></td><td>57</td><td></td><td>54</td><td>52</td><td></td><td></td><td></td><td></td><td></td><td></td><td></td><td></td><td></td><td>42</td><td>41</td></tr> <tr><td></td><td></td><td>38</td><td></td><td></td><td>34</td><td>33</td><td></td><td></td><td>29</td><td>27</td><td></td><td>25</td><td></td><td></td><td></td><td></td><td></td></tr> <tr><td></td><td></td><td></td><td>18</td><td></td><td>15</td><td>14</td><td></td><td>11</td><td>10</td><td>9</td><td>8</td><td>7</td><td></td><td></td><td></td><td></td><td></td></tr> </table>		79				74	73	72	71		68	67		65	64	63	62	61		59		57		54	52										42	41			38			34	33			29	27		25									18		15	14		11	10	9	8	7					
	79				74	73	72	71		68	67		65	64	63	62	61																																																													
	59		57		54	52										42	41																																																													
		38			34	33			29	27		25																																																																		
			18		15	14		11	10	9	8	7																																																																		
AVAILABLE	NOT APPLICABLE	34566-5853	0	H	ST.GRAY	<table border="1"> <tr><td></td><td>79</td><td></td><td></td><td></td><td>74</td><td>73</td><td>72</td><td>71</td><td></td><td>68</td><td>67</td><td></td><td>65</td><td>64</td><td>63</td><td>62</td><td>61</td></tr> <tr><td></td><td>59</td><td></td><td>57</td><td></td><td>54</td><td>52</td><td></td><td></td><td></td><td></td><td></td><td></td><td></td><td></td><td>43</td><td>42</td><td>41</td></tr> <tr><td></td><td></td><td>38</td><td></td><td></td><td>33</td><td></td><td></td><td></td><td>29</td><td>27</td><td></td><td>25</td><td></td><td></td><td></td><td></td><td></td></tr> <tr><td></td><td></td><td></td><td>18</td><td></td><td>15</td><td>14</td><td></td><td>11</td><td>10</td><td>9</td><td>8</td><td>7</td><td></td><td></td><td></td><td></td><td></td></tr> </table>		79				74	73	72	71		68	67		65	64	63	62	61		59		57		54	52									43	42	41			38			33				29	27		25									18		15	14		11	10	9	8	7					
	79				74	73	72	71		68	67		65	64	63	62	61																																																													
	59		57		54	52									43	42	41																																																													
		38			33				29	27		25																																																																		
			18		15	14		11	10	9	8	7																																																																		
AVAILABLE	NOT APPLICABLE	34566-5863	0	C	BLUE	<table border="1"> <tr><td>72</td><td>70</td><td></td><td></td><td>66</td><td></td><td>63</td><td>62</td><td></td><td></td><td>59</td><td>57</td><td>56</td><td>55</td><td></td><td>53</td></tr> <tr><td>52</td><td>51</td><td></td><td></td><td>46</td><td>44</td><td>42</td><td>40</td><td>39</td><td></td><td>37</td><td>36</td><td></td><td>34</td><td>33</td></tr> <tr><td colspan="2">73</td><td>32</td><td>30</td><td></td><td></td><td>26</td><td>25</td><td></td><td></td><td>22</td><td>21</td><td></td><td>19</td><td>18</td></tr> <tr><td colspan="2"></td><td>15</td><td>14</td><td></td><td></td><td>10</td><td>9</td><td></td><td></td><td>6</td><td></td><td></td><td>3</td><td></td></tr> </table>	72	70			66		63	62			59	57	56	55		53	52	51			46	44	42	40	39		37	36		34	33	73		32	30			26	25			22	21		19	18			15	14			10	9			6			3												
72	70			66		63	62			59	57	56	55		53																																																															
52	51			46	44	42	40	39		37	36		34	33																																																																
73		32	30			26	25			22	21		19	18																																																																
		15	14			10	9			6			3																																																																	
AVAILABLE	NOT APPLICABLE	34566-5873	0	B	ST.GRAY	<table border="1"> <tr><td>72</td><td></td><td></td><td></td><td></td><td></td><td></td><td>62</td><td>61</td><td></td><td></td><td></td><td></td><td></td><td></td><td></td><td></td></tr> <tr><td>52</td><td></td><td></td><td>48</td><td>47</td><td>46</td><td>44</td><td>43</td><td>41</td><td>40</td><td></td><td></td><td></td><td></td><td></td><td>20</td><td>19</td><td>18</td></tr> <tr><td colspan="2">73</td><td></td><td></td><td>30</td><td></td><td></td><td></td><td></td><td></td><td></td><td></td><td></td><td></td><td></td><td>4</td><td></td><td></td></tr> <tr><td colspan="2"></td><td>16</td><td>15</td><td>14</td><td></td><td></td><td></td><td></td><td></td><td></td><td></td><td></td><td></td><td></td><td></td><td></td><td></td></tr> </table>	72							62	61									52			48	47	46	44	43	41	40						20	19	18	73				30											4					16	15	14														
72							62	61																																																																						
52			48	47	46	44	43	41	40						20	19	18																																																													
73				30											4																																																															
		16	15	14																																																																										

QUALITY SYMBOLS 	THIS DRAWING CONTAINS INFORMATION THAT IS PROPRIETARY TO MOLEX ELECTRONIC TECHNOLOGIES, LLC AND SHOULD NOT BE USED WITHOUT WRITTEN PERMISSION										
	2017/03/27	2017/03/30	GENERAL TOLERANCES (UNLESS SPECIFIED)		DIMENSION UNITS	SCALE					
	EC NO: 115012	DRWN: TYE	CHKD: JDENG02	REV: APPR: JDENG02	MM	1:1					
	ANGULAR TOL ± °				DRWN BY	DATE					
	4 PLACES ±				SKRAJENDRANA	2011/02/14					
	3 PLACES ±				CHKD BY	DATE					
	2 PLACES ±				MVANSLAMBROU	2011/02/14					
	1 PLACE ±				APPR BY	DATE					
	0 PLACES ±										
	DRAFT WHERE APPLICABLE MUST REMAIN WITHIN DIMENSIONS				DRAWING SIZE	THIRD ANGLE PROJECTION					
				D							
SERIES			MATERIAL NUMBER			CUSTOMER					
34566			SEE BOM TABLE			GENERAL MARKET					
DOCUMENT NUMBER			DOC TYPE			DOC PART			SHEET NUMBER		
SD-34566-001			PSD			000			65 OF 92		


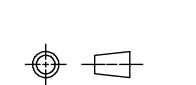
STATUS	GM PART #	MATERIAL #	WIRE DRESS OPTION	KEY OPTION	COLOR (TPA)	NUMBERS INDICATE CAVITIES OPEN FOR CIRCUITS F _P																																																																																				
AVAILABLE	NOT APPLICABLE	34566-5993	0	A	BLACK	<table border="1"> <tr><td></td><td>71</td><td>70</td><td>69</td><td></td><td>67</td><td>66</td><td>65</td><td></td><td>63</td><td>62</td><td>61</td><td>60</td><td></td><td>58</td><td>57</td><td>56</td><td>55</td><td>54</td><td>53</td></tr> <tr><td>52</td><td>51</td><td>50</td><td>49</td><td></td><td>47</td><td></td><td>45</td><td>44</td><td>43</td><td>42</td><td>41</td><td>40</td><td>39</td><td></td><td>37</td><td>36</td><td>35</td><td>34</td><td></td></tr> <tr><td colspan="3">73</td><td></td><td>32</td><td>31</td><td>30</td><td>29</td><td>28</td><td>27</td><td>26</td><td>25</td><td>24</td><td>23</td><td></td><td>21</td><td>20</td><td>19</td><td>18</td><td>17</td></tr> <tr><td colspan="3"></td><td></td><td>16</td><td>15</td><td>14</td><td>13</td><td>12</td><td>11</td><td>10</td><td>9</td><td>8</td><td></td><td>6</td><td>5</td><td></td><td>3</td><td></td><td>1</td></tr> </table>		71	70	69		67	66	65		63	62	61	60		58	57	56	55	54	53	52	51	50	49		47		45	44	43	42	41	40	39		37	36	35	34		73				32	31	30	29	28	27	26	25	24	23		21	20	19	18	17					16	15	14	13	12	11	10	9	8		6	5		3		1				
	71	70	69		67	66	65		63	62	61	60		58	57	56	55	54	53																																																																							
52	51	50	49		47		45	44	43	42	41	40	39		37	36	35	34																																																																								
73				32	31	30	29	28	27	26	25	24	23		21	20	19	18	17																																																																							
				16	15	14	13	12	11	10	9	8		6	5		3		1																																																																							
AVAILABLE	NOT APPLICABLE	34566-6013	0	B	ST.GRAY	<table border="1"> <tr><td></td><td></td><td></td><td>69</td><td></td><td>67</td><td></td><td>65</td><td></td><td></td><td></td><td>61</td><td>60</td><td>59</td><td>58</td><td>57</td><td></td><td></td><td></td><td>54</td><td>53</td></tr> <tr><td></td><td>51</td><td>50</td><td>49</td><td>48</td><td>47</td><td>46</td><td>45</td><td></td><td>43</td><td></td><td></td><td>40</td><td>39</td><td></td><td>37</td><td></td><td></td><td></td><td>34</td><td>33</td></tr> <tr><td colspan="3">73</td><td></td><td>32</td><td>31</td><td>30</td><td>29</td><td></td><td></td><td>26</td><td></td><td>24</td><td>23</td><td>22</td><td>21</td><td>20</td><td></td><td></td><td>18</td><td></td></tr> <tr><td colspan="3"></td><td></td><td>16</td><td>15</td><td>14</td><td>13</td><td></td><td></td><td>10</td><td>9</td><td>8</td><td>7</td><td>6</td><td>5</td><td>4</td><td></td><td></td><td></td><td></td></tr> </table>				69		67		65				61	60	59	58	57				54	53		51	50	49	48	47	46	45		43			40	39		37				34	33	73				32	31	30	29			26		24	23	22	21	20			18						16	15	14	13			10	9	8	7	6	5	4				
			69		67		65				61	60	59	58	57				54	53																																																																						
	51	50	49	48	47	46	45		43			40	39		37				34	33																																																																						
73				32	31	30	29			26		24	23	22	21	20			18																																																																							
				16	15	14	13			10	9	8	7	6	5	4																																																																										
AVAILABLE	NOT APPLICABLE	34566-6023	0	A	BLACK	<table border="1"> <tr><td>72</td><td>71</td><td>70</td><td>69</td><td>68</td><td>67</td><td></td><td></td><td></td><td></td><td></td><td></td><td>60</td><td>59</td><td>58</td><td>57</td><td>56</td><td></td><td></td><td>54</td><td>53</td></tr> <tr><td>52</td><td>51</td><td>50</td><td>49</td><td>48</td><td>47</td><td></td><td>45</td><td>44</td><td>43</td><td></td><td></td><td>40</td><td>39</td><td>38</td><td>37</td><td>36</td><td>35</td><td>34</td><td>33</td><td></td></tr> <tr><td colspan="3">73</td><td></td><td>32</td><td>31</td><td>30</td><td>29</td><td>28</td><td></td><td></td><td>24</td><td>23</td><td>22</td><td>21</td><td>20</td><td>19</td><td></td><td></td><td>17</td><td></td></tr> <tr><td colspan="3"></td><td></td><td>16</td><td>15</td><td></td><td>13</td><td>12</td><td>11</td><td>10</td><td></td><td></td><td>7</td><td>6</td><td>5</td><td>4</td><td>3</td><td>2</td><td>1</td><td></td></tr> </table>	72	71	70	69	68	67							60	59	58	57	56			54	53	52	51	50	49	48	47		45	44	43			40	39	38	37	36	35	34	33		73				32	31	30	29	28			24	23	22	21	20	19			17						16	15		13	12	11	10			7	6	5	4	3	2	1	
72	71	70	69	68	67							60	59	58	57	56			54	53																																																																						
52	51	50	49	48	47		45	44	43			40	39	38	37	36	35	34	33																																																																							
73				32	31	30	29	28			24	23	22	21	20	19			17																																																																							
				16	15		13	12	11	10			7	6	5	4	3	2	1																																																																							
AVAILABLE	NOT APPLICABLE	34566-6033	0	A	BLACK	<table border="1"> <tr><td></td><td></td><td>70</td><td>69</td><td></td><td></td><td></td><td></td><td></td><td></td><td>63</td><td>62</td><td>61</td><td></td><td></td><td>58</td><td>57</td><td>56</td><td>55</td><td>54</td><td>53</td></tr> <tr><td>52</td><td>51</td><td></td><td>49</td><td></td><td></td><td></td><td></td><td>44</td><td>43</td><td>42</td><td>41</td><td></td><td></td><td></td><td>37</td><td>36</td><td></td><td></td><td>34</td><td></td></tr> <tr><td colspan="3">73</td><td></td><td>32</td><td></td><td></td><td>29</td><td>28</td><td>27</td><td>26</td><td></td><td></td><td></td><td></td><td>21</td><td></td><td>19</td><td>18</td><td></td><td></td></tr> <tr><td colspan="3"></td><td></td><td>16</td><td>15</td><td></td><td>13</td><td>12</td><td>11</td><td>10</td><td></td><td>8</td><td></td><td></td><td>5</td><td>3</td><td></td><td></td><td></td><td></td></tr> </table>			70	69							63	62	61			58	57	56	55	54	53	52	51		49					44	43	42	41				37	36			34		73				32			29	28	27	26					21		19	18							16	15		13	12	11	10		8			5	3				
		70	69							63	62	61			58	57	56	55	54	53																																																																						
52	51		49					44	43	42	41				37	36			34																																																																							
73				32			29	28	27	26					21		19	18																																																																								
				16	15		13	12	11	10		8			5	3																																																																										
AVAILABLE	NOT APPLICABLE	34566-6043	0	B	ST.GRAY	<table border="1"> <tr><td></td><td></td><td></td><td></td><td>68</td><td>67</td><td>66</td><td>65</td><td>64</td><td></td><td></td><td></td><td></td><td></td><td>58</td><td></td><td></td><td>55</td><td></td><td></td><td></td></tr> <tr><td></td><td></td><td></td><td></td><td></td><td>46</td><td>45</td><td></td><td></td><td></td><td></td><td></td><td></td><td></td><td>38</td><td></td><td></td><td>35</td><td></td><td></td><td></td></tr> <tr><td colspan="3">73</td><td></td><td>32</td><td></td><td>30</td><td>29</td><td>28</td><td>27</td><td></td><td></td><td></td><td></td><td>22</td><td></td><td></td><td>19</td><td></td><td>17</td><td></td></tr> <tr><td colspan="3"></td><td></td><td>16</td><td></td><td></td><td></td><td></td><td></td><td>10</td><td></td><td></td><td></td><td></td><td></td><td></td><td></td><td></td><td></td><td>1</td></tr> </table>					68	67	66	65	64						58			55									46	45								38			35				73				32		30	29	28	27					22			19		17						16						10										1
				68	67	66	65	64						58			55																																																																									
					46	45								38			35																																																																									
73				32		30	29	28	27					22			19		17																																																																							
				16						10										1																																																																						
AVAILABLE	NOT APPLICABLE	34566-6053	0	B	ST.GRAY	<table border="1"> <tr><td>72</td><td></td><td></td><td></td><td></td><td></td><td></td><td></td><td></td><td></td><td>62</td><td>61</td><td></td><td></td><td></td><td></td><td></td><td></td><td></td><td></td><td></td></tr> <tr><td>52</td><td></td><td></td><td></td><td>48</td><td>47</td><td>46</td><td></td><td></td><td>43</td><td>41</td><td>40</td><td></td><td></td><td></td><td></td><td></td><td></td><td></td><td></td><td></td></tr> <tr><td colspan="3">73</td><td></td><td></td><td></td><td>30</td><td></td><td></td><td></td><td></td><td></td><td></td><td></td><td></td><td></td><td>20</td><td>19</td><td>18</td><td></td><td></td></tr> <tr><td colspan="3"></td><td></td><td>16</td><td>15</td><td>14</td><td></td><td></td><td></td><td></td><td></td><td></td><td></td><td></td><td></td><td>4</td><td></td><td>2</td><td></td><td></td></tr> </table>	72										62	61										52				48	47	46			43	41	40										73						30										20	19	18							16	15	14										4		2		
72										62	61																																																																															
52				48	47	46			43	41	40																																																																															
73						30										20	19	18																																																																								
				16	15	14										4		2																																																																								
AVAILABLE	NOT APPLICABLE	34566-6063	0	C	BLUE	<table border="1"> <tr><td></td><td></td><td></td><td>69</td><td></td><td>67</td><td>66</td><td></td><td>64</td><td></td><td>62</td><td></td><td>60</td><td></td><td></td><td>57</td><td></td><td>55</td><td>54</td><td></td><td></td></tr> <tr><td>52</td><td>51</td><td>50</td><td></td><td>48</td><td></td><td>46</td><td>45</td><td>44</td><td></td><td>42</td><td></td><td></td><td></td><td></td><td>37</td><td></td><td>35</td><td>34</td><td>33</td><td></td></tr> <tr><td colspan="3">73</td><td></td><td>32</td><td></td><td></td><td></td><td>28</td><td>27</td><td>26</td><td></td><td></td><td></td><td></td><td></td><td></td><td>19</td><td>18</td><td>17</td><td></td></tr> <tr><td colspan="3"></td><td></td><td>16</td><td>15</td><td>14</td><td>13</td><td>12</td><td>11</td><td>10</td><td>9</td><td></td><td></td><td></td><td></td><td></td><td></td><td></td><td></td><td></td></tr> </table>				69		67	66		64		62		60			57		55	54			52	51	50		48		46	45	44		42					37		35	34	33		73				32				28	27	26							19	18	17						16	15	14	13	12	11	10	9									
			69		67	66		64		62		60			57		55	54																																																																								
52	51	50		48		46	45	44		42					37		35	34	33																																																																							
73				32				28	27	26							19	18	17																																																																							
				16	15	14	13	12	11	10	9																																																																															
AVAILABLE	NOT APPLICABLE	34566-6073	0	C	BLUE	<table border="1"> <tr><td></td><td></td><td></td><td>69</td><td></td><td>67</td><td>66</td><td></td><td>64</td><td></td><td>61</td><td>60</td><td></td><td></td><td></td><td>57</td><td></td><td></td><td></td><td>54</td><td></td></tr> <tr><td>52</td><td>51</td><td>50</td><td>49</td><td>48</td><td></td><td>46</td><td>45</td><td>44</td><td></td><td>41</td><td></td><td></td><td></td><td></td><td>37</td><td></td><td></td><td></td><td>34</td><td>33</td></tr> <tr><td colspan="3">73</td><td></td><td>32</td><td></td><td></td><td></td><td>28</td><td>27</td><td></td><td>25</td><td></td><td></td><td></td><td></td><td></td><td></td><td></td><td>18</td><td>17</td></tr> <tr><td colspan="3"></td><td></td><td>16</td><td>15</td><td>14</td><td>13</td><td>12</td><td>11</td><td>10</td><td>9</td><td></td><td></td><td></td><td></td><td></td><td></td><td></td><td></td><td></td></tr> </table>				69		67	66		64		61	60				57				54		52	51	50	49	48		46	45	44		41					37				34	33	73				32				28	27		25								18	17					16	15	14	13	12	11	10	9									
			69		67	66		64		61	60				57				54																																																																							
52	51	50	49	48		46	45	44		41					37				34	33																																																																						
73				32				28	27		25								18	17																																																																						
				16	15	14	13	12	11	10	9																																																																															
AVAILABLE	NOT APPLICABLE	34566-6083	0	C	BLUE	<table border="1"> <tr><td>72</td><td></td><td>70</td><td></td><td>68</td><td>67</td><td>66</td><td></td><td></td><td>63</td><td>62</td><td></td><td></td><td>59</td><td></td><td>57</td><td></td><td></td><td></td><td></td><td>53</td></tr> <tr><td>52</td><td>51</td><td></td><td></td><td>48</td><td>47</td><td>46</td><td></td><td>44</td><td></td><td>42</td><td></td><td>40</td><td>39</td><td></td><td>37</td><td>36</td><td></td><td></td><td>34</td><td>33</td></tr> <tr><td colspan="3">73</td><td></td><td>32</td><td></td><td>30</td><td></td><td></td><td>26</td><td>25</td><td></td><td></td><td></td><td>22</td><td>21</td><td></td><td></td><td></td><td></td><td></td></tr> <tr><td colspan="3"></td><td></td><td></td><td>15</td><td>14</td><td></td><td></td><td></td><td>10</td><td>9</td><td></td><td></td><td>6</td><td>5</td><td>4</td><td></td><td></td><td></td><td>2</td></tr> </table>	72		70		68	67	66			63	62			59		57					53	52	51			48	47	46		44		42		40	39		37	36			34	33	73				32		30			26	25				22	21											15	14				10	9			6	5	4				2
72		70		68	67	66			63	62			59		57					53																																																																						
52	51			48	47	46		44		42		40	39		37	36			34	33																																																																						
73				32		30			26	25				22	21																																																																											
					15	14				10	9			6	5	4				2																																																																						

QUALITY SYMBOLS = 0 = 0 = 0 = 0 = 0 = 0 = 0 = 0 = 0	THIS DRAWING CONTAINS INFORMATION THAT IS PROPRIETARY TO MOLEX ELECTRONIC TECHNOLOGIES, LLC AND SHOULD NOT BE USED WITHOUT WRITTEN PERMISSION										
	2017/03/27	2017/03/30	GENERAL TOLERANCES (UNLESS SPECIFIED)		DIMENSION UNITS	SCALE					
	EC NO: 115012	CHKD: JDENG02	ANGULAR TOL ± °		MM	1:1					
	DRWN: TYE	REV: APPR: JDENG02	4 PLACES ±	SKRAJENDRANA	DATE	2011/02/14					
			3 PLACES ±	CHKD BY	DATE						
			2 PLACES ±	MVANSLAMBROU	DATE	2011/02/14					
			1 PLACE ±	APPR BY	DATE						
			0 PLACES ±	DRAWING SIZE							THIRD ANGLE PROJECTION
			DRAFT WHERE APPLICABLE MUST REMAIN WITHIN DIMENSIONS			D					
SERIES		MATERIAL NUMBER		CUSTOMER							
34566		SEE BOM TABLE		GENERAL MARKET							
DOCUMENT NUMBER				DOC TYPE	DOC PART	SHEET NUMBER					
SD-34566-001				PSD	000	67 OF 92					

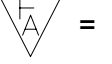
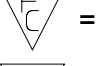
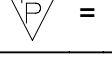
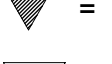



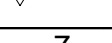

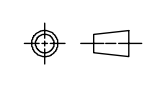
STATUS	GM PART #	MATERIAL #	WIRE DRESS OPTION	KEY OPTION	COLOR (TPA)	NUMBERS INDICATE CAVITIES OPEN FOR CIRCUITS F _P																																																																																
AVAILABLE	NOT APPLICABLE	34566-6093	0	B	ST.GRAY	<table border="1"> <tr><td>72</td><td>70</td><td></td><td></td><td>67</td><td></td><td></td><td>63</td><td>62</td><td>61</td><td>60</td><td>59</td><td></td><td></td><td></td><td></td><td></td><td></td><td></td><td></td></tr> <tr><td>52</td><td></td><td></td><td></td><td></td><td>46</td><td></td><td>43</td><td></td><td>41</td><td>40</td><td></td><td></td><td></td><td></td><td></td><td>20</td><td>19</td><td>18</td><td></td></tr> <tr><td></td><td>73</td><td></td><td></td><td></td><td></td><td></td><td>27</td><td></td><td></td><td></td><td></td><td></td><td></td><td></td><td></td><td>4</td><td></td><td></td><td></td></tr> <tr><td></td><td></td><td></td><td></td><td></td><td>16</td><td>14</td><td></td><td></td><td>11</td><td></td><td></td><td></td><td></td><td></td><td></td><td></td><td></td><td></td><td></td></tr> </table>	72	70			67			63	62	61	60	59									52					46		43		41	40						20	19	18			73						27									4									16	14			11										
72	70			67			63	62	61	60	59																																																																											
52					46		43		41	40						20	19	18																																																																				
	73						27									4																																																																						
					16	14			11																																																																													
AVAILABLE	NOT APPLICABLE	34566-6113	0	A	BLACK	<table border="1"> <tr><td>72</td><td>71</td><td>70</td><td>69</td><td>68</td><td></td><td>66</td><td>65</td><td>64</td><td>63</td><td>62</td><td>61</td><td>60</td><td></td><td>58</td><td>57</td><td>56</td><td>55</td><td>54</td><td>53</td></tr> <tr><td>52</td><td>51</td><td>50</td><td>49</td><td>48</td><td></td><td>46</td><td>45</td><td>44</td><td>43</td><td>42</td><td>41</td><td>40</td><td>39</td><td>38</td><td>37</td><td>36</td><td></td><td>34</td><td>33</td></tr> <tr><td></td><td>73</td><td></td><td></td><td>32</td><td>31</td><td>30</td><td>29</td><td>28</td><td>27</td><td>26</td><td>25</td><td></td><td>23</td><td>22</td><td>21</td><td>20</td><td>19</td><td>18</td><td></td></tr> <tr><td></td><td></td><td></td><td></td><td>16</td><td>15</td><td>14</td><td>13</td><td>12</td><td>11</td><td>10</td><td>9</td><td>8</td><td>7</td><td>6</td><td>5</td><td>4</td><td>3</td><td>2</td><td></td></tr> </table>	72	71	70	69	68		66	65	64	63	62	61	60		58	57	56	55	54	53	52	51	50	49	48		46	45	44	43	42	41	40	39	38	37	36		34	33		73			32	31	30	29	28	27	26	25		23	22	21	20	19	18						16	15	14	13	12	11	10	9	8	7	6	5	4	3	2	
72	71	70	69	68		66	65	64	63	62	61	60		58	57	56	55	54	53																																																																			
52	51	50	49	48		46	45	44	43	42	41	40	39	38	37	36		34	33																																																																			
	73			32	31	30	29	28	27	26	25		23	22	21	20	19	18																																																																				
				16	15	14	13	12	11	10	9	8	7	6	5	4	3	2																																																																				
AVAILABLE	NOT APPLICABLE	34566-6123	0	C	BLUE	<table border="1"> <tr><td></td><td></td><td></td><td>69</td><td></td><td>67</td><td>66</td><td></td><td>64</td><td></td><td>62</td><td></td><td>60</td><td></td><td></td><td>57</td><td></td><td></td><td></td><td>54</td></tr> <tr><td>52</td><td>51</td><td>50</td><td></td><td>48</td><td></td><td>46</td><td>45</td><td>44</td><td></td><td>42</td><td></td><td></td><td></td><td></td><td>37</td><td></td><td></td><td>34</td><td>33</td></tr> <tr><td></td><td>73</td><td></td><td></td><td></td><td></td><td></td><td></td><td>28</td><td>27</td><td>26</td><td></td><td></td><td></td><td></td><td></td><td></td><td></td><td></td><td></td></tr> <tr><td></td><td></td><td></td><td></td><td>16</td><td>15</td><td>14</td><td>13</td><td>12</td><td>11</td><td>10</td><td>9</td><td>8</td><td>7</td><td></td><td></td><td></td><td></td><td></td><td></td></tr> </table>				69		67	66		64		62		60			57				54	52	51	50		48		46	45	44		42					37			34	33		73							28	27	26														16	15	14	13	12	11	10	9	8	7						
			69		67	66		64		62		60			57				54																																																																			
52	51	50		48		46	45	44		42					37			34	33																																																																			
	73							28	27	26																																																																												
				16	15	14	13	12	11	10	9	8	7																																																																									
AVAILABLE	NOT APPLICABLE	34566-6133	9	C	BLUE	<table border="1"> <tr><td>72</td><td></td><td>70</td><td></td><td>68</td><td>67</td><td></td><td></td><td></td><td>63</td><td>62</td><td></td><td></td><td>59</td><td></td><td>57</td><td></td><td></td><td></td><td>53</td></tr> <tr><td>52</td><td>51</td><td></td><td></td><td>48</td><td>47</td><td></td><td></td><td>44</td><td></td><td>42</td><td></td><td>40</td><td>39</td><td>38</td><td>37</td><td>36</td><td></td><td>34</td><td>33</td></tr> <tr><td></td><td>73</td><td></td><td></td><td>32</td><td></td><td>30</td><td></td><td></td><td></td><td>26</td><td>25</td><td>24</td><td></td><td>22</td><td>21</td><td></td><td></td><td></td><td></td></tr> <tr><td></td><td></td><td></td><td></td><td></td><td>15</td><td>14</td><td></td><td></td><td></td><td></td><td>9</td><td>8</td><td></td><td>6</td><td>5</td><td>4</td><td></td><td></td><td>2</td></tr> </table>	72		70		68	67				63	62			59		57				53	52	51			48	47			44		42		40	39	38	37	36		34	33		73			32		30				26	25	24		22	21										15	14					9	8		6	5	4			2
72		70		68	67				63	62			59		57				53																																																																			
52	51			48	47			44		42		40	39	38	37	36		34	33																																																																			
	73			32		30				26	25	24		22	21																																																																							
					15	14					9	8		6	5	4			2																																																																			
AVAILABLE	NOT APPLICABLE	34566-6173	9	B	ST.GRAY	<table border="1"> <tr><td></td><td></td><td></td><td></td><td></td><td>67</td><td>66</td><td></td><td></td><td></td><td></td><td></td><td></td><td></td><td></td><td></td><td></td><td></td><td></td><td></td></tr> <tr><td></td><td></td><td></td><td></td><td>48</td><td>47</td><td></td><td></td><td></td><td></td><td></td><td>41</td><td></td><td></td><td></td><td></td><td></td><td></td><td></td><td></td></tr> <tr><td></td><td>73</td><td></td><td></td><td>32</td><td>31</td><td>30</td><td>29</td><td></td><td>27</td><td>26</td><td>25</td><td>24</td><td></td><td>22</td><td>21</td><td></td><td>19</td><td>18</td><td>17</td></tr> <tr><td></td><td></td><td></td><td></td><td>16</td><td>15</td><td>14</td><td>13</td><td></td><td>11</td><td>10</td><td>9</td><td>8</td><td>7</td><td>6</td><td>5</td><td>4</td><td>3</td><td></td><td>1</td></tr> </table>						67	66																		48	47						41										73			32	31	30	29		27	26	25	24		22	21		19	18	17					16	15	14	13		11	10	9	8	7	6	5	4	3		1
					67	66																																																																																
				48	47						41																																																																											
	73			32	31	30	29		27	26	25	24		22	21		19	18	17																																																																			
				16	15	14	13		11	10	9	8	7	6	5	4	3		1																																																																			
AVAILABLE	NOT APPLICABLE	34566-6183	9	A	BLACK	<table border="1"> <tr><td></td><td></td><td></td><td></td><td></td><td></td><td>66</td><td></td><td></td><td></td><td></td><td></td><td></td><td></td><td></td><td></td><td></td><td></td><td></td><td></td></tr> <tr><td></td><td></td><td></td><td></td><td>48</td><td>47</td><td></td><td></td><td></td><td></td><td></td><td>41</td><td></td><td></td><td></td><td></td><td></td><td></td><td></td><td></td></tr> <tr><td></td><td>73</td><td></td><td></td><td>32</td><td>31</td><td>30</td><td>29</td><td></td><td>27</td><td>26</td><td>25</td><td>24</td><td></td><td>22</td><td>21</td><td></td><td>19</td><td>18</td><td>17</td></tr> <tr><td></td><td></td><td></td><td></td><td>16</td><td>15</td><td>14</td><td>13</td><td></td><td>11</td><td>10</td><td>9</td><td>8</td><td>7</td><td>6</td><td>5</td><td>4</td><td>3</td><td></td><td>1</td></tr> </table>							66																		48	47						41										73			32	31	30	29		27	26	25	24		22	21		19	18	17					16	15	14	13		11	10	9	8	7	6	5	4	3		1
						66																																																																																
				48	47						41																																																																											
	73			32	31	30	29		27	26	25	24		22	21		19	18	17																																																																			
				16	15	14	13		11	10	9	8	7	6	5	4	3		1																																																																			
AVAILABLE	NOT APPLICABLE	34566-6193	9	B	ST.GRAY	<table border="1"> <tr><td>72</td><td>71</td><td>70</td><td>69</td><td>68</td><td>67</td><td>66</td><td>65</td><td>64</td><td></td><td>62</td><td>61</td><td>60</td><td>59</td><td>58</td><td>57</td><td>56</td><td>55</td><td>54</td><td></td></tr> <tr><td>52</td><td>51</td><td>50</td><td>49</td><td></td><td></td><td>46</td><td></td><td>44</td><td></td><td></td><td>41</td><td>40</td><td></td><td>38</td><td>37</td><td>36</td><td></td><td></td><td></td></tr> <tr><td></td><td>73</td><td></td><td></td><td>32</td><td>31</td><td>30</td><td>29</td><td>28</td><td>27</td><td>26</td><td>25</td><td>24</td><td></td><td></td><td>21</td><td>20</td><td></td><td>18</td><td>17</td></tr> <tr><td></td><td></td><td></td><td></td><td>16</td><td>15</td><td>14</td><td>13</td><td>12</td><td></td><td>10</td><td>9</td><td>8</td><td>7</td><td>6</td><td>5</td><td>4</td><td>3</td><td>2</td><td></td></tr> </table>	72	71	70	69	68	67	66	65	64		62	61	60	59	58	57	56	55	54		52	51	50	49			46		44			41	40		38	37	36					73			32	31	30	29	28	27	26	25	24			21	20		18	17					16	15	14	13	12		10	9	8	7	6	5	4	3	2	
72	71	70	69	68	67	66	65	64		62	61	60	59	58	57	56	55	54																																																																				
52	51	50	49			46		44			41	40		38	37	36																																																																						
	73			32	31	30	29	28	27	26	25	24			21	20		18	17																																																																			
				16	15	14	13	12		10	9	8	7	6	5	4	3	2																																																																				
AVAILABLE	NOT APPLICABLE	34566-6213	9	A	BLACK	<table border="1"> <tr><td></td><td></td><td></td><td></td><td></td><td>67</td><td>66</td><td></td><td></td><td></td><td></td><td></td><td></td><td></td><td></td><td></td><td></td><td></td><td></td><td></td></tr> <tr><td></td><td></td><td></td><td></td><td>48</td><td>47</td><td></td><td></td><td></td><td></td><td></td><td>41</td><td></td><td></td><td></td><td></td><td></td><td></td><td></td><td></td></tr> <tr><td></td><td>73</td><td></td><td></td><td>32</td><td>31</td><td>30</td><td>29</td><td></td><td>27</td><td>26</td><td>25</td><td>24</td><td></td><td>22</td><td>21</td><td></td><td>19</td><td>18</td><td>17</td></tr> <tr><td></td><td></td><td></td><td></td><td>16</td><td>15</td><td>14</td><td>13</td><td></td><td>11</td><td>10</td><td>9</td><td>8</td><td>7</td><td>6</td><td>5</td><td>4</td><td>3</td><td></td><td>1</td></tr> </table>						67	66																		48	47						41										73			32	31	30	29		27	26	25	24		22	21		19	18	17					16	15	14	13		11	10	9	8	7	6	5	4	3		1
					67	66																																																																																
				48	47						41																																																																											
	73			32	31	30	29		27	26	25	24		22	21		19	18	17																																																																			
				16	15	14	13		11	10	9	8	7	6	5	4	3		1																																																																			
AVAILABLE	NOT APPLICABLE	34566-6223	9	C	BLUE	<table border="1"> <tr><td>72</td><td></td><td>70</td><td></td><td>68</td><td></td><td>66</td><td></td><td></td><td>63</td><td>62</td><td></td><td></td><td>59</td><td></td><td>57</td><td></td><td></td><td></td><td>53</td></tr> <tr><td>52</td><td>51</td><td></td><td></td><td>48</td><td>47</td><td>46</td><td></td><td>44</td><td></td><td></td><td></td><td>40</td><td>39</td><td></td><td></td><td></td><td></td><td>34</td><td>33</td></tr> <tr><td></td><td>73</td><td></td><td></td><td>32</td><td></td><td>30</td><td></td><td></td><td>27</td><td>26</td><td>25</td><td></td><td></td><td>22</td><td>21</td><td>20</td><td></td><td></td><td></td></tr> <tr><td></td><td></td><td></td><td></td><td></td><td>15</td><td>14</td><td>13</td><td></td><td></td><td>10</td><td>9</td><td></td><td></td><td>6</td><td>5</td><td>4</td><td></td><td></td><td></td></tr> </table>	72		70		68		66			63	62			59		57				53	52	51			48	47	46		44				40	39					34	33		73			32		30			27	26	25			22	21	20									15	14	13			10	9			6	5	4			
72		70		68		66			63	62			59		57				53																																																																			
52	51			48	47	46		44				40	39					34	33																																																																			
	73			32		30			27	26	25			22	21	20																																																																						
					15	14	13			10	9			6	5	4																																																																						

QUALITY SYMBOLS = 0 = 0 = 0 = 0 = 0 = 0 = 0 = 0 = 0	THIS DRAWING CONTAINS INFORMATION THAT IS PROPRIETARY TO MOLEX ELECTRONIC TECHNOLOGIES, LLC AND SHOULD NOT BE USED WITHOUT WRITTEN PERMISSION									
	2017/03/27	2017/03/30	GENERAL TOLERANCES (UNLESS SPECIFIED)		DIMENSION UNITS	SCALE				
	EC NO: 115012	DRWN: TYE	ANGULAR TOL ± °		MM	1:1				
	CHKD:	APPR: JDENG02	4 PLACES ±	SKRAJENDRANA	DATE	2011/02/14				
	REV:		3 PLACES ±	CHKD BY	DATE					
			2 PLACES ±	MVANSLAMBROU	DATE	2011/02/14				
			1 PLACE ±	APPR BY	DATE					
			0 PLACES ±	DRAWING SIZE		THIRD ANGLE PROJECTION				
			DRAFT WHERE APPLICABLE MUST REMAIN WITHIN DIMENSIONS		D					
SERIES		MATERIAL NUMBER		CUSTOMER						
34566		SEE BOM TABLE		GENERAL MARKET						
DOCUMENT NUMBER		DOC TYPE		DOC PART SHEET NUMBER						
SD-34566-001		PSD		000 68 OF 92						


STATUS	GM PART #	MATERIAL #	WIRE DRESS OPTION	KEY OPTION ▽	COLOR (TPA) ▽	NUMBERS INDICATE CAVITIES OPEN FOR CIRCUITS F _p																																																																																				
AVAILABLE	NOT APPLICABLE	34566-6233	9	B	ST.GRAY	<table border="1"> <tr><td>72</td><td>70</td><td>68</td><td>66</td><td></td><td></td><td></td><td></td><td>60</td><td>59</td><td></td><td></td><td></td><td></td><td>55</td><td>54</td><td>53</td></tr> <tr><td>52</td><td>50</td><td>48</td><td>46</td><td></td><td></td><td></td><td></td><td>40</td><td>39</td><td></td><td></td><td></td><td></td><td>35</td><td>34</td><td>33</td></tr> <tr><td colspan="2">73</td><td>32</td><td>31</td><td>30</td><td>29</td><td>28</td><td>27</td><td>26</td><td>25</td><td>24</td><td></td><td></td><td></td><td></td><td></td><td>17</td></tr> <tr><td colspan="2"></td><td>16</td><td></td><td></td><td></td><td></td><td></td><td>10</td><td>8</td><td></td><td></td><td></td><td></td><td></td><td>2</td><td>1</td></tr> </table>	72	70	68	66					60	59					55	54	53	52	50	48	46					40	39					35	34	33	73		32	31	30	29	28	27	26	25	24						17			16						10	8						2	1																
72	70	68	66					60	59					55	54	53																																																																										
52	50	48	46					40	39					35	34	33																																																																										
73		32	31	30	29	28	27	26	25	24						17																																																																										
		16						10	8						2	1																																																																										
AVAILABLE	NOT APPLICABLE	34566-6243	9	A	BLACK	<table border="1"> <tr><td></td><td>71</td><td>70</td><td>69</td><td></td><td></td><td></td><td></td><td>64</td><td>63</td><td></td><td></td><td>60</td><td>59</td><td>58</td><td>57</td><td>56</td><td>55</td><td>54</td><td>53</td></tr> <tr><td>52</td><td>51</td><td>50</td><td>49</td><td></td><td></td><td></td><td></td><td>45</td><td>44</td><td>43</td><td>42</td><td>41</td><td></td><td>39</td><td>37</td><td>36</td><td></td><td></td><td>34</td></tr> <tr><td colspan="2">73</td><td>32</td><td></td><td>30</td><td></td><td>28</td><td></td><td>26</td><td></td><td></td><td></td><td></td><td></td><td></td><td></td><td></td><td>19</td><td>18</td><td></td></tr> <tr><td colspan="2"></td><td>16</td><td>15</td><td>14</td><td></td><td>12</td><td></td><td>10</td><td></td><td></td><td></td><td></td><td></td><td></td><td></td><td>3</td><td></td><td></td><td></td></tr> </table>		71	70	69					64	63			60	59	58	57	56	55	54	53	52	51	50	49					45	44	43	42	41		39	37	36			34	73		32		30		28		26									19	18				16	15	14		12		10								3							
	71	70	69					64	63			60	59	58	57	56	55	54	53																																																																							
52	51	50	49					45	44	43	42	41		39	37	36			34																																																																							
73		32		30		28		26									19	18																																																																								
		16	15	14		12		10								3																																																																										
AVAILABLE	NOT APPLICABLE	34566-6253	9	C	BLUE	<table border="1"> <tr><td>72</td><td>70</td><td>68</td><td>67</td><td>66</td><td></td><td></td><td></td><td>63</td><td>62</td><td></td><td></td><td>59</td><td>57</td><td></td><td></td><td></td><td></td><td></td><td>53</td></tr> <tr><td>52</td><td>51</td><td></td><td>49</td><td>48</td><td>47</td><td>46</td><td></td><td>44</td><td></td><td></td><td></td><td>40</td><td>39</td><td></td><td>37</td><td>36</td><td></td><td></td><td>34</td></tr> <tr><td colspan="2">73</td><td>32</td><td></td><td>30</td><td></td><td></td><td></td><td>27</td><td>26</td><td>25</td><td>24</td><td></td><td></td><td>22</td><td>21</td><td>20</td><td></td><td></td><td></td></tr> <tr><td colspan="2"></td><td></td><td>15</td><td>14</td><td>13</td><td></td><td></td><td>10</td><td>9</td><td>8</td><td></td><td></td><td>6</td><td>5</td><td>4</td><td></td><td></td><td></td><td>2</td></tr> </table>	72	70	68	67	66				63	62			59	57						53	52	51		49	48	47	46		44				40	39		37	36			34	73		32		30				27	26	25	24			22	21	20							15	14	13			10	9	8			6	5	4				2				
72	70	68	67	66				63	62			59	57						53																																																																							
52	51		49	48	47	46		44				40	39		37	36			34																																																																							
73		32		30				27	26	25	24			22	21	20																																																																										
			15	14	13			10	9	8			6	5	4				2																																																																							
AVAILABLE	NOT APPLICABLE	34566-6263	9	B	ST.GRAY	<table border="1"> <tr><td>72</td><td>71</td><td>70</td><td></td><td>68</td><td>67</td><td>66</td><td></td><td></td><td></td><td>62</td><td>61</td><td>60</td><td>59</td><td>58</td><td>57</td><td>56</td><td>55</td><td>54</td><td>53</td></tr> <tr><td>52</td><td>51</td><td>50</td><td></td><td>48</td><td>47</td><td>46</td><td></td><td></td><td></td><td>42</td><td>41</td><td>40</td><td>39</td><td>38</td><td>37</td><td>36</td><td>35</td><td>34</td><td>33</td></tr> <tr><td colspan="2">73</td><td>32</td><td>31</td><td>30</td><td>29</td><td>28</td><td>27</td><td>26</td><td>25</td><td>24</td><td></td><td></td><td></td><td></td><td></td><td></td><td></td><td>18</td><td>17</td></tr> <tr><td colspan="2"></td><td>16</td><td>15</td><td>14</td><td>13</td><td></td><td></td><td>10</td><td></td><td>8</td><td></td><td></td><td></td><td></td><td></td><td></td><td>3</td><td>2</td><td>1</td></tr> </table>	72	71	70		68	67	66				62	61	60	59	58	57	56	55	54	53	52	51	50		48	47	46				42	41	40	39	38	37	36	35	34	33	73		32	31	30	29	28	27	26	25	24								18	17			16	15	14	13			10		8							3	2	1				
72	71	70		68	67	66				62	61	60	59	58	57	56	55	54	53																																																																							
52	51	50		48	47	46				42	41	40	39	38	37	36	35	34	33																																																																							
73		32	31	30	29	28	27	26	25	24								18	17																																																																							
		16	15	14	13			10		8							3	2	1																																																																							
AVAILABLE	NOT APPLICABLE	34566-6273	9	B	ST.GRAY	<table border="1"> <tr><td></td><td>71</td><td>70</td><td>69</td><td></td><td></td><td></td><td></td><td>65</td><td>64</td><td>63</td><td>62</td><td>61</td><td>60</td><td></td><td>58</td><td>57</td><td>56</td><td>55</td><td>54</td><td>53</td></tr> <tr><td>52</td><td>51</td><td>50</td><td>49</td><td>48</td><td>47</td><td></td><td></td><td>45</td><td>44</td><td>43</td><td>42</td><td>41</td><td></td><td>39</td><td></td><td>37</td><td>36</td><td></td><td></td><td>34</td></tr> <tr><td colspan="2">73</td><td>32</td><td></td><td>30</td><td>29</td><td>28</td><td>27</td><td>26</td><td></td><td>24</td><td></td><td></td><td></td><td></td><td></td><td></td><td></td><td>19</td><td>18</td><td></td></tr> <tr><td colspan="2"></td><td>16</td><td>15</td><td>14</td><td>13</td><td>12</td><td>11</td><td>10</td><td></td><td></td><td></td><td></td><td></td><td></td><td></td><td></td><td></td><td>3</td><td></td><td></td></tr> </table>		71	70	69					65	64	63	62	61	60		58	57	56	55	54	53	52	51	50	49	48	47			45	44	43	42	41		39		37	36			34	73		32		30	29	28	27	26		24								19	18				16	15	14	13	12	11	10										3		
	71	70	69					65	64	63	62	61	60		58	57	56	55	54	53																																																																						
52	51	50	49	48	47			45	44	43	42	41		39		37	36			34																																																																						
73		32		30	29	28	27	26		24								19	18																																																																							
		16	15	14	13	12	11	10										3																																																																								
AVAILABLE	NOT APPLICABLE	34566-6283	9	C	BLUE	<table border="1"> <tr><td>72</td><td>70</td><td>68</td><td>67</td><td>66</td><td></td><td></td><td></td><td>63</td><td>62</td><td></td><td></td><td>59</td><td>57</td><td></td><td></td><td></td><td></td><td></td><td>53</td></tr> <tr><td>52</td><td>51</td><td></td><td>48</td><td>47</td><td>46</td><td></td><td></td><td>44</td><td></td><td></td><td></td><td>40</td><td>39</td><td></td><td></td><td></td><td></td><td></td><td>34</td></tr> <tr><td colspan="2">73</td><td>32</td><td></td><td>30</td><td></td><td></td><td></td><td>27</td><td>26</td><td>25</td><td></td><td></td><td></td><td>22</td><td>21</td><td></td><td></td><td></td><td></td></tr> <tr><td colspan="2"></td><td></td><td>15</td><td>14</td><td></td><td></td><td></td><td>10</td><td>9</td><td></td><td></td><td></td><td>6</td><td>5</td><td>4</td><td></td><td></td><td></td><td></td></tr> </table>	72	70	68	67	66				63	62			59	57						53	52	51		48	47	46			44				40	39						34	73		32		30				27	26	25				22	21								15	14				10	9				6	5	4								
72	70	68	67	66				63	62			59	57						53																																																																							
52	51		48	47	46			44				40	39						34																																																																							
73		32		30				27	26	25				22	21																																																																											
			15	14				10	9				6	5	4																																																																											
AVAILABLE	NOT APPLICABLE	34566-6293	9	B	ST.GRAY	<table border="1"> <tr><td>72</td><td>71</td><td>70</td><td></td><td>68</td><td>67</td><td>66</td><td></td><td></td><td></td><td>62</td><td>61</td><td>60</td><td>59</td><td>58</td><td>57</td><td>56</td><td>55</td><td>54</td><td>53</td></tr> <tr><td>52</td><td>51</td><td>50</td><td></td><td>48</td><td>47</td><td>46</td><td></td><td></td><td></td><td>42</td><td>41</td><td>40</td><td>39</td><td>38</td><td>37</td><td>36</td><td>35</td><td>34</td><td>33</td></tr> <tr><td colspan="2">73</td><td>32</td><td>31</td><td>30</td><td>29</td><td>28</td><td>27</td><td>26</td><td>25</td><td>24</td><td></td><td></td><td></td><td></td><td></td><td></td><td></td><td></td><td>17</td></tr> <tr><td colspan="2"></td><td>16</td><td>15</td><td>14</td><td>13</td><td></td><td></td><td>10</td><td></td><td>8</td><td></td><td></td><td></td><td></td><td></td><td></td><td></td><td>2</td><td>1</td></tr> </table>	72	71	70		68	67	66				62	61	60	59	58	57	56	55	54	53	52	51	50		48	47	46				42	41	40	39	38	37	36	35	34	33	73		32	31	30	29	28	27	26	25	24									17			16	15	14	13			10		8								2	1				
72	71	70		68	67	66				62	61	60	59	58	57	56	55	54	53																																																																							
52	51	50		48	47	46				42	41	40	39	38	37	36	35	34	33																																																																							
73		32	31	30	29	28	27	26	25	24									17																																																																							
		16	15	14	13			10		8								2	1																																																																							
AVAILABLE	NOT APPLICABLE	34566-6313	9	B	ST.GRAY	<table border="1"> <tr><td></td><td></td><td>70</td><td>69</td><td></td><td></td><td></td><td></td><td></td><td></td><td>63</td><td>62</td><td>61</td><td>60</td><td></td><td>58</td><td>57</td><td>56</td><td>55</td><td>54</td><td>53</td></tr> <tr><td>52</td><td>51</td><td>50</td><td>49</td><td></td><td></td><td></td><td></td><td>44</td><td>43</td><td>42</td><td>41</td><td></td><td>39</td><td></td><td>37</td><td>36</td><td></td><td></td><td></td><td>34</td></tr> <tr><td colspan="2">73</td><td>32</td><td></td><td></td><td></td><td>29</td><td>28</td><td>27</td><td>26</td><td></td><td></td><td></td><td></td><td></td><td></td><td></td><td></td><td></td><td>19</td><td>18</td></tr> <tr><td colspan="2"></td><td>16</td><td>15</td><td>14</td><td>13</td><td>12</td><td>11</td><td>10</td><td></td><td></td><td></td><td></td><td></td><td></td><td></td><td></td><td></td><td></td><td>3</td><td></td></tr> </table>			70	69							63	62	61	60		58	57	56	55	54	53	52	51	50	49					44	43	42	41		39		37	36				34	73		32				29	28	27	26										19	18			16	15	14	13	12	11	10											3	
		70	69							63	62	61	60		58	57	56	55	54	53																																																																						
52	51	50	49					44	43	42	41		39		37	36				34																																																																						
73		32				29	28	27	26										19	18																																																																						
		16	15	14	13	12	11	10											3																																																																							
AVAILABLE	NOT APPLICABLE	34566-6323	9	B	ST.GRAY	<table border="1"> <tr><td></td><td>71</td><td>70</td><td>69</td><td></td><td></td><td></td><td></td><td>64</td><td>63</td><td></td><td></td><td>60</td><td>59</td><td>58</td><td>57</td><td>56</td><td>55</td><td>54</td><td>53</td></tr> <tr><td>52</td><td>51</td><td>50</td><td>49</td><td></td><td></td><td></td><td></td><td>45</td><td>44</td><td>43</td><td>42</td><td>41</td><td></td><td>39</td><td>37</td><td>36</td><td></td><td></td><td></td><td>34</td></tr> <tr><td colspan="2">73</td><td>32</td><td></td><td>30</td><td></td><td></td><td></td><td>28</td><td></td><td>26</td><td></td><td></td><td></td><td></td><td></td><td></td><td></td><td></td><td>19</td><td>18</td></tr> <tr><td colspan="2"></td><td>16</td><td>15</td><td>14</td><td></td><td></td><td></td><td>12</td><td></td><td>10</td><td></td><td></td><td></td><td></td><td></td><td></td><td></td><td></td><td>3</td><td></td></tr> </table>		71	70	69					64	63			60	59	58	57	56	55	54	53	52	51	50	49					45	44	43	42	41		39	37	36				34	73		32		30				28		26									19	18			16	15	14				12		10									3		
	71	70	69					64	63			60	59	58	57	56	55	54	53																																																																							
52	51	50	49					45	44	43	42	41		39	37	36				34																																																																						
73		32		30				28		26									19	18																																																																						
		16	15	14				12		10									3																																																																							

QUALITY SYMBOLS ▽ = 0 ▽ = 0 ▽ = 0 ▽ = 0 ▽ = 0 ▽ = 0 ▽ = 0 ▽ = 0 ▽ = 0	THIS DRAWING CONTAINS INFORMATION THAT IS PROPRIETARY TO MOLEX ELECTRONIC TECHNOLOGIES, LLC AND SHOULD NOT BE USED WITHOUT WRITTEN PERMISSION									
	2017/03/27	2017/03/30	GENERAL TOLERANCES (UNLESS SPECIFIED)		DIMENSION UNITS	SCALE	 MX123 66/73/80CKT HRNS CONN ASSY PRODUCT CUSTOMER DRAWING			
	DRWN: TYE	CHKD: JDENG02	ANGULAR TOL ± °		MM	1:1				
	EC NO: 115012	REV: APPR: JDENG02	4 PLACES ±	SKRAJENDRANA	DATE	2011/02/14				
			3 PLACES ±	CHKD BY	DATE					
			2 PLACES ±	MVANSLAMBROU	DATE	2011/02/14				
			1 PLACE ±	APPR BY	DATE					
			0 PLACES ±	DRAWING SIZE		THIRD ANGLE PROJECTION				
			DRAFT WHERE APPLICABLE MUST REMAIN WITHIN DIMENSIONS		D					
					SERIES	MATERIAL NUMBER				
				34566	SEE BOM TABLE	GENERAL MARKET				
				DOCUMENT NUMBER	DOC TYPE	DOC PART	SHEET NUMBER			
				SD-34566-001	PSD	000	69 OF 92			

STATUS	GM PART #	MATERIAL #	WIRE DRESS OPTION	KEY OPTION	COLOR (TPA)	NUMBERS INDICATE CAVITIES OPEN FOR CIRCUITS F _p																																																																																
AVAILABLE	NOT APPLICABLE	34566-6333	9	C	BLUE	<table border="1"> <tr><td>72</td><td></td><td>70</td><td></td><td>68</td><td>67</td><td>66</td><td></td><td></td><td>63</td><td>62</td><td></td><td></td><td>59</td><td></td><td>57</td><td>56</td><td>55</td><td></td><td>53</td></tr> <tr><td>52</td><td>51</td><td></td><td></td><td>48</td><td>47</td><td>46</td><td></td><td>44</td><td></td><td></td><td></td><td>40</td><td>39</td><td></td><td></td><td></td><td></td><td>34</td><td>33</td></tr> <tr><td colspan="2">73</td><td></td><td></td><td>32</td><td></td><td>30</td><td></td><td></td><td>27</td><td>26</td><td>25</td><td></td><td></td><td>22</td><td>21</td><td></td><td>19</td><td>18</td><td></td></tr> <tr><td colspan="2"></td><td></td><td></td><td>15</td><td>14</td><td></td><td></td><td></td><td></td><td>10</td><td>9</td><td></td><td></td><td>6</td><td>5</td><td>4</td><td>3</td><td></td><td></td></tr> </table>	72		70		68	67	66			63	62			59		57	56	55		53	52	51			48	47	46		44				40	39					34	33	73				32		30			27	26	25			22	21		19	18						15	14					10	9			6	5	4	3		
72		70		68	67	66			63	62			59		57	56	55		53																																																																			
52	51			48	47	46		44				40	39					34	33																																																																			
73				32		30			27	26	25			22	21		19	18																																																																				
				15	14					10	9			6	5	4	3																																																																					
AVAILABLE	NOT APPLICABLE	34566-6343	9	A	BLACK	<table border="1"> <tr><td></td><td></td><td>70</td><td>69</td><td></td><td></td><td></td><td></td><td></td><td>63</td><td>62</td><td>61</td><td>60</td><td></td><td>58</td><td>57</td><td>56</td><td>55</td><td>54</td><td>53</td></tr> <tr><td>52</td><td>51</td><td>50</td><td>49</td><td></td><td></td><td></td><td></td><td>44</td><td>43</td><td>42</td><td>41</td><td>40</td><td>39</td><td></td><td>37</td><td>36</td><td></td><td>34</td><td></td></tr> <tr><td colspan="2">73</td><td></td><td></td><td>32</td><td></td><td></td><td>29</td><td>28</td><td>27</td><td>26</td><td></td><td></td><td></td><td></td><td></td><td></td><td>19</td><td>18</td><td>17</td></tr> <tr><td colspan="2"></td><td></td><td></td><td>16</td><td>15</td><td>14</td><td>13</td><td>12</td><td>11</td><td>10</td><td></td><td></td><td></td><td></td><td></td><td></td><td>3</td><td>2</td><td>1</td></tr> </table>			70	69						63	62	61	60		58	57	56	55	54	53	52	51	50	49					44	43	42	41	40	39		37	36		34		73				32			29	28	27	26							19	18	17					16	15	14	13	12	11	10							3	2	1
		70	69						63	62	61	60		58	57	56	55	54	53																																																																			
52	51	50	49					44	43	42	41	40	39		37	36		34																																																																				
73				32			29	28	27	26							19	18	17																																																																			
				16	15	14	13	12	11	10							3	2	1																																																																			
AVAILABLE	NOT APPLICABLE	34566-6353	9	C	BLUE	<table border="1"> <tr><td>72</td><td></td><td>70</td><td></td><td>68</td><td></td><td>66</td><td></td><td></td><td>63</td><td>62</td><td></td><td></td><td>59</td><td>58</td><td>57</td><td>56</td><td>55</td><td></td><td>53</td></tr> <tr><td>52</td><td>51</td><td></td><td></td><td>48</td><td>47</td><td>46</td><td></td><td>44</td><td></td><td></td><td></td><td>40</td><td>39</td><td></td><td></td><td></td><td></td><td>34</td><td>33</td></tr> <tr><td colspan="2">73</td><td></td><td></td><td>32</td><td></td><td>30</td><td></td><td></td><td>27</td><td>26</td><td>25</td><td></td><td>23</td><td>22</td><td>21</td><td>20</td><td></td><td>17</td><td></td></tr> <tr><td colspan="2"></td><td></td><td></td><td>15</td><td>14</td><td>13</td><td></td><td></td><td>10</td><td>9</td><td></td><td>7</td><td>6</td><td>5</td><td>4</td><td></td><td></td><td></td><td>1</td></tr> </table>	72		70		68		66			63	62			59	58	57	56	55		53	52	51			48	47	46		44				40	39					34	33	73				32		30			27	26	25		23	22	21	20		17						15	14	13			10	9		7	6	5	4				1
72		70		68		66			63	62			59	58	57	56	55		53																																																																			
52	51			48	47	46		44				40	39					34	33																																																																			
73				32		30			27	26	25		23	22	21	20		17																																																																				
				15	14	13			10	9		7	6	5	4				1																																																																			
AVAILABLE	NOT APPLICABLE	34566-6363	9	B	ST.GRAY	<table border="1"> <tr><td>72</td><td></td><td>70</td><td></td><td>68</td><td></td><td>66</td><td></td><td></td><td></td><td></td><td></td><td>60</td><td>59</td><td></td><td></td><td></td><td>55</td><td>54</td><td>53</td></tr> <tr><td>52</td><td></td><td>50</td><td></td><td>48</td><td></td><td>46</td><td></td><td></td><td></td><td></td><td></td><td>40</td><td>39</td><td></td><td></td><td></td><td>35</td><td>34</td><td>33</td></tr> <tr><td colspan="2">73</td><td></td><td></td><td>32</td><td>31</td><td>30</td><td>29</td><td>28</td><td>27</td><td>26</td><td>25</td><td>24</td><td>23</td><td></td><td></td><td></td><td>19</td><td>18</td><td>17</td></tr> <tr><td colspan="2"></td><td></td><td></td><td>16</td><td></td><td></td><td></td><td></td><td></td><td>10</td><td>8</td><td>7</td><td></td><td></td><td></td><td></td><td>2</td><td>1</td><td></td></tr> </table>	72		70		68		66						60	59				55	54	53	52		50		48		46						40	39				35	34	33	73				32	31	30	29	28	27	26	25	24	23				19	18	17					16						10	8	7					2	1	
72		70		68		66						60	59				55	54	53																																																																			
52		50		48		46						40	39				35	34	33																																																																			
73				32	31	30	29	28	27	26	25	24	23				19	18	17																																																																			
				16						10	8	7					2	1																																																																				
AVAILABLE	NOT APPLICABLE	34566-6373	9	A	BLACK	<table border="1"> <tr><td>72</td><td>71</td><td>70</td><td>69</td><td></td><td>67</td><td></td><td></td><td>64</td><td>63</td><td></td><td></td><td>60</td><td>59</td><td>58</td><td>57</td><td>56</td><td>55</td><td>54</td><td>53</td></tr> <tr><td>52</td><td>51</td><td>50</td><td>49</td><td></td><td>47</td><td></td><td>45</td><td>44</td><td>43</td><td>42</td><td>41</td><td>40</td><td>39</td><td></td><td>37</td><td>36</td><td></td><td>34</td><td></td></tr> <tr><td colspan="2">73</td><td></td><td></td><td>32</td><td></td><td>30</td><td></td><td>28</td><td></td><td>26</td><td></td><td></td><td>23</td><td>21</td><td></td><td>19</td><td>18</td><td>17</td><td></td></tr> <tr><td colspan="2"></td><td></td><td></td><td>16</td><td>15</td><td>14</td><td></td><td>12</td><td></td><td>10</td><td></td><td>8</td><td></td><td>5</td><td>3</td><td>2</td><td>1</td><td></td><td></td></tr> </table>	72	71	70	69		67			64	63			60	59	58	57	56	55	54	53	52	51	50	49		47		45	44	43	42	41	40	39		37	36		34		73				32		30		28		26			23	21		19	18	17						16	15	14		12		10		8		5	3	2	1		
72	71	70	69		67			64	63			60	59	58	57	56	55	54	53																																																																			
52	51	50	49		47		45	44	43	42	41	40	39		37	36		34																																																																				
73				32		30		28		26			23	21		19	18	17																																																																				
				16	15	14		12		10		8		5	3	2	1																																																																					
AVAILABLE	NOT APPLICABLE	34566-6383	9	A	BLACK	<table border="1"> <tr><td>72</td><td>71</td><td>70</td><td>69</td><td>68</td><td></td><td>66</td><td>65</td><td>64</td><td>63</td><td></td><td>61</td><td>60</td><td></td><td></td><td>57</td><td>56</td><td></td><td>54</td><td>53</td></tr> <tr><td>52</td><td>51</td><td>50</td><td>49</td><td>48</td><td></td><td>46</td><td>45</td><td>44</td><td>43</td><td>42</td><td>41</td><td>40</td><td>39</td><td>38</td><td>37</td><td>36</td><td></td><td>34</td><td>33</td></tr> <tr><td colspan="2">73</td><td></td><td></td><td>32</td><td>31</td><td>30</td><td>29</td><td>28</td><td></td><td></td><td></td><td></td><td>23</td><td>22</td><td>21</td><td></td><td></td><td>2</td><td>1</td></tr> <tr><td colspan="2"></td><td></td><td></td><td>15</td><td>14</td><td>13</td><td>12</td><td></td><td></td><td></td><td>9</td><td>7</td><td>6</td><td>5</td><td></td><td></td><td></td><td></td><td></td></tr> </table>	72	71	70	69	68		66	65	64	63		61	60			57	56		54	53	52	51	50	49	48		46	45	44	43	42	41	40	39	38	37	36		34	33	73				32	31	30	29	28					23	22	21			2	1					15	14	13	12				9	7	6	5					
72	71	70	69	68		66	65	64	63		61	60			57	56		54	53																																																																			
52	51	50	49	48		46	45	44	43	42	41	40	39	38	37	36		34	33																																																																			
73				32	31	30	29	28					23	22	21			2	1																																																																			
				15	14	13	12				9	7	6	5																																																																								
AVAILABLE	NOT APPLICABLE	34566-6393	9	C	BLUE	<table border="1"> <tr><td></td><td>71</td><td>70</td><td>69</td><td></td><td>67</td><td>66</td><td>65</td><td>64</td><td></td><td>62</td><td>61</td><td>60</td><td></td><td>58</td><td>57</td><td></td><td>55</td><td>54</td><td></td></tr> <tr><td>52</td><td>51</td><td>50</td><td>49</td><td>48</td><td>47</td><td>46</td><td>45</td><td>44</td><td></td><td>42</td><td>41</td><td></td><td></td><td>38</td><td>37</td><td></td><td>35</td><td>34</td><td>33</td></tr> <tr><td colspan="2">73</td><td></td><td></td><td>32</td><td></td><td></td><td></td><td>28</td><td>27</td><td>26</td><td>25</td><td></td><td></td><td></td><td></td><td></td><td>19</td><td>18</td><td>17</td></tr> <tr><td colspan="2"></td><td></td><td></td><td>16</td><td>15</td><td>14</td><td>13</td><td>12</td><td>11</td><td>10</td><td>9</td><td></td><td></td><td></td><td></td><td></td><td></td><td></td><td></td></tr> </table>		71	70	69		67	66	65	64		62	61	60		58	57		55	54		52	51	50	49	48	47	46	45	44		42	41			38	37		35	34	33	73				32				28	27	26	25						19	18	17					16	15	14	13	12	11	10	9								
	71	70	69		67	66	65	64		62	61	60		58	57		55	54																																																																				
52	51	50	49	48	47	46	45	44		42	41			38	37		35	34	33																																																																			
73				32				28	27	26	25						19	18	17																																																																			
				16	15	14	13	12	11	10	9																																																																											
AVAILABLE	NOT APPLICABLE	34566-6413	9	B	ST.GRAY	<table border="1"> <tr><td>72</td><td></td><td></td><td></td><td>68</td><td>67</td><td></td><td></td><td></td><td>63</td><td>62</td><td>61</td><td>60</td><td>59</td><td></td><td></td><td></td><td>55</td><td></td><td></td></tr> <tr><td>52</td><td></td><td></td><td></td><td>48</td><td>47</td><td>46</td><td></td><td>44</td><td>43</td><td></td><td>41</td><td>40</td><td></td><td>38</td><td>37</td><td>36</td><td>35</td><td></td><td></td></tr> <tr><td colspan="2">73</td><td></td><td></td><td></td><td></td><td>30</td><td></td><td></td><td>27</td><td></td><td></td><td></td><td></td><td></td><td></td><td>20</td><td>19</td><td>18</td><td>17</td></tr> <tr><td colspan="2"></td><td></td><td></td><td>16</td><td>15</td><td>14</td><td></td><td></td><td>11</td><td></td><td></td><td>8</td><td></td><td></td><td>4</td><td></td><td></td><td></td><td>1</td></tr> </table>	72				68	67				63	62	61	60	59				55			52				48	47	46		44	43		41	40		38	37	36	35			73						30			27							20	19	18	17					16	15	14			11			8			4				1
72				68	67				63	62	61	60	59				55																																																																					
52				48	47	46		44	43		41	40		38	37	36	35																																																																					
73						30			27							20	19	18	17																																																																			
				16	15	14			11			8			4				1																																																																			
AVAILABLE	NOT APPLICABLE	34566-6423	9	C	BLUE	<table border="1"> <tr><td>72</td><td>71</td><td>70</td><td>69</td><td></td><td>67</td><td>66</td><td>65</td><td>64</td><td></td><td></td><td></td><td></td><td></td><td></td><td></td><td>56</td><td></td><td>54</td><td></td></tr> <tr><td>52</td><td>51</td><td>50</td><td>49</td><td></td><td>47</td><td>46</td><td>45</td><td>44</td><td></td><td></td><td></td><td></td><td>39</td><td>38</td><td></td><td></td><td></td><td>34</td><td></td></tr> <tr><td colspan="2">73</td><td></td><td></td><td></td><td>31</td><td>30</td><td>29</td><td>28</td><td></td><td>26</td><td>25</td><td></td><td>23</td><td>22</td><td>21</td><td></td><td></td><td>17</td><td></td></tr> <tr><td colspan="2"></td><td></td><td></td><td>16</td><td>15</td><td>14</td><td>13</td><td>12</td><td></td><td></td><td>9</td><td>7</td><td>6</td><td>5</td><td></td><td></td><td></td><td></td><td></td></tr> </table>	72	71	70	69		67	66	65	64								56		54		52	51	50	49		47	46	45	44					39	38				34		73					31	30	29	28		26	25		23	22	21			17						16	15	14	13	12			9	7	6	5					
72	71	70	69		67	66	65	64								56		54																																																																				
52	51	50	49		47	46	45	44					39	38				34																																																																				
73					31	30	29	28		26	25		23	22	21			17																																																																				
				16	15	14	13	12			9	7	6	5																																																																								

QUALITY SYMBOLS  = 0  = 0  = 0  = 0  = 0  = 0  = 0  = 0	THIS DRAWING CONTAINS INFORMATION THAT IS PROPRIETARY TO MOLEX ELECTRONIC TECHNOLOGIES, LLC AND SHOULD NOT BE USED WITHOUT WRITTEN PERMISSION									
	2017/03/27	2017/03/30	GENERAL TOLERANCES (UNLESS SPECIFIED)		DIMENSION UNITS	SCALE	 MX123 66/73/80CKT HRNS CONN ASSY PRODUCT CUSTOMER DRAWING			
	DRWN: TYE		ANGULAR TOL ± °		MM	1:1				
	CHKD: JDENG02		4 PLACES ±		DRWN BY	DATE				
	REV: APPR: JDENG02		3 PLACES ±		SKRAJENDRANA	2011/02/14				
			2 PLACES ±		CHKD BY	DATE				
			1 PLACE ±		MVANSLAMBROU	2011/02/14				
			0 PLACES ±		APPR BY	DATE				
			DRAFT WHERE APPLICABLE MUST REMAIN WITHIN DIMENSIONS		DRAWING SIZE	THIRD ANGLE PROJECTION				
					D					
EC NO: 115012	G49		SERIES		MATERIAL NUMBER	CUSTOMER				
		34566		SEE BOM TABLE		GENERAL MARKET				
		SD-34566-001		DOC TYPE	DOC PART	SHEET NUMBER				
		PSD		000	70 OF 92					


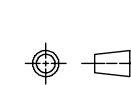
STATUS	GM PART #	MATERIAL #	WIRE DRESS OPTION	KEY OPTION ▽	COLOR (TPA) ▽	NUMBERS INDICATE CAVITIES OPEN FOR CIRCUITS F _P																																																																															
AVAILABLE	NOT APPLICABLE	34566-6433	9	A	BLACK	<table border="1"> <tr><td>72</td><td>70</td><td></td><td>67</td><td></td><td></td><td>63</td><td></td><td>60</td><td>59</td><td>58</td><td>57</td><td>56</td><td>55</td><td></td><td></td></tr> <tr><td>52</td><td>51</td><td></td><td>48</td><td>47</td><td>46</td><td></td><td>43</td><td>42</td><td>40</td><td>39</td><td>38</td><td>37</td><td>36</td><td>35</td><td></td></tr> <tr><td colspan="3">73</td><td></td><td></td><td></td><td>28</td><td>27</td><td></td><td></td><td>22</td><td>21</td><td></td><td></td><td>18</td><td>17</td></tr> <tr><td colspan="3">73</td><td></td><td></td><td></td><td>12</td><td>11</td><td>9</td><td>7</td><td></td><td></td><td></td><td></td><td>2</td><td>1</td></tr> </table>	72	70		67			63		60	59	58	57	56	55			52	51		48	47	46		43	42	40	39	38	37	36	35		73						28	27			22	21			18	17	73						12	11	9	7					2	1															
72	70		67			63		60	59	58	57	56	55																																																																								
52	51		48	47	46		43	42	40	39	38	37	36	35																																																																							
73						28	27			22	21			18	17																																																																						
73						12	11	9	7					2	1																																																																						
AVAILABLE	NOT APPLICABLE	34566-6443	9	B	ST.GRAY	<table border="1"> <tr><td>72</td><td>71</td><td>70</td><td>69</td><td>68</td><td>67</td><td>66</td><td>65</td><td>64</td><td>63</td><td></td><td>61</td><td>60</td><td></td><td>57</td><td>56</td><td>55</td><td></td><td></td></tr> <tr><td>52</td><td>51</td><td>50</td><td>49</td><td>48</td><td>47</td><td>46</td><td>45</td><td>44</td><td>43</td><td></td><td>41</td><td>40</td><td></td><td>38</td><td>37</td><td>36</td><td>35</td><td>34</td><td>33</td></tr> <tr><td colspan="3">73</td><td></td><td>32</td><td>31</td><td>30</td><td>29</td><td>28</td><td></td><td>26</td><td>25</td><td>24</td><td>23</td><td>22</td><td>21</td><td>20</td><td>19</td><td>18</td><td>17</td></tr> <tr><td colspan="3">73</td><td></td><td>16</td><td>15</td><td>14</td><td>13</td><td>12</td><td>11</td><td></td><td>9</td><td>8</td><td>7</td><td>6</td><td>5</td><td>4</td><td>3</td><td>2</td><td>1</td></tr> </table>	72	71	70	69	68	67	66	65	64	63		61	60		57	56	55			52	51	50	49	48	47	46	45	44	43		41	40		38	37	36	35	34	33	73				32	31	30	29	28		26	25	24	23	22	21	20	19	18	17	73				16	15	14	13	12	11		9	8	7	6	5	4	3	2	1
72	71	70	69	68	67	66	65	64	63		61	60		57	56	55																																																																					
52	51	50	49	48	47	46	45	44	43		41	40		38	37	36	35	34	33																																																																		
73				32	31	30	29	28		26	25	24	23	22	21	20	19	18	17																																																																		
73				16	15	14	13	12	11		9	8	7	6	5	4	3	2	1																																																																		
AVAILABLE	NOT APPLICABLE	34566-6453	0	C	BLUE	<table border="1"> <tr><td></td><td>71</td><td>70</td><td>69</td><td></td><td>67</td><td></td><td>65</td><td>64</td><td></td><td>62</td><td>61</td><td>60</td><td></td><td>57</td><td></td><td>54</td><td></td><td></td></tr> <tr><td>52</td><td>51</td><td>50</td><td>49</td><td>48</td><td>47</td><td>46</td><td>45</td><td>44</td><td></td><td>42</td><td>41</td><td></td><td></td><td>37</td><td></td><td>34</td><td>33</td><td></td></tr> <tr><td colspan="3">73</td><td></td><td>32</td><td></td><td></td><td>28</td><td>27</td><td>26</td><td>25</td><td></td><td></td><td></td><td></td><td></td><td>18</td><td>17</td><td></td></tr> <tr><td colspan="3">73</td><td></td><td>16</td><td>15</td><td>14</td><td>13</td><td>12</td><td>11</td><td>10</td><td>9</td><td>8</td><td>7</td><td></td><td></td><td></td><td></td><td></td></tr> </table>		71	70	69		67		65	64		62	61	60		57		54			52	51	50	49	48	47	46	45	44		42	41			37		34	33		73				32			28	27	26	25						18	17		73				16	15	14	13	12	11	10	9	8	7								
	71	70	69		67		65	64		62	61	60		57		54																																																																					
52	51	50	49	48	47	46	45	44		42	41			37		34	33																																																																				
73				32			28	27	26	25						18	17																																																																				
73				16	15	14	13	12	11	10	9	8	7																																																																								
AVAILABLE	NOT APPLICABLE	34566-6463	0	B	ST.GRAY	<table border="1"> <tr><td>72</td><td></td><td></td><td>68</td><td>67</td><td></td><td></td><td></td><td>62</td><td>61</td><td></td><td></td><td></td><td></td><td>55</td><td></td><td></td><td></td><td></td></tr> <tr><td>52</td><td></td><td></td><td>48</td><td>47</td><td>46</td><td></td><td></td><td>43</td><td></td><td>40</td><td></td><td></td><td></td><td></td><td></td><td></td><td></td><td></td></tr> <tr><td colspan="3">73</td><td></td><td></td><td>30</td><td></td><td></td><td></td><td></td><td></td><td></td><td></td><td></td><td>20</td><td>19</td><td>18</td><td></td><td></td></tr> <tr><td colspan="3">73</td><td></td><td>16</td><td>15</td><td>14</td><td></td><td></td><td></td><td>8</td><td></td><td></td><td></td><td>4</td><td></td><td>2</td><td></td><td></td></tr> </table>	72			68	67				62	61					55					52			48	47	46			43		40									73					30									20	19	18			73				16	15	14				8				4		2					
72			68	67				62	61					55																																																																							
52			48	47	46			43		40																																																																											
73					30									20	19	18																																																																					
73				16	15	14				8				4		2																																																																					
AVAILABLE	NOT APPLICABLE	34566-6473	9	C	BLUE	<table border="1"> <tr><td></td><td></td><td>70</td><td>69</td><td></td><td>67</td><td>66</td><td></td><td>64</td><td></td><td>62</td><td></td><td>60</td><td></td><td>57</td><td></td><td>55</td><td>54</td><td></td></tr> <tr><td>52</td><td>51</td><td>50</td><td>49</td><td>48</td><td>47</td><td>46</td><td>45</td><td>44</td><td></td><td>42</td><td></td><td></td><td></td><td>37</td><td></td><td>35</td><td>34</td><td>33</td></tr> <tr><td colspan="3">73</td><td></td><td>32</td><td></td><td></td><td>28</td><td>27</td><td>26</td><td></td><td></td><td></td><td></td><td></td><td></td><td>19</td><td>18</td><td>17</td></tr> <tr><td colspan="3">73</td><td></td><td>16</td><td>15</td><td>14</td><td>13</td><td>12</td><td>11</td><td>10</td><td>9</td><td>8</td><td>7</td><td></td><td></td><td></td><td></td><td></td></tr> </table>			70	69		67	66		64		62		60		57		55	54		52	51	50	49	48	47	46	45	44		42				37		35	34	33	73				32			28	27	26							19	18	17	73				16	15	14	13	12	11	10	9	8	7								
		70	69		67	66		64		62		60		57		55	54																																																																				
52	51	50	49	48	47	46	45	44		42				37		35	34	33																																																																			
73				32			28	27	26							19	18	17																																																																			
73				16	15	14	13	12	11	10	9	8	7																																																																								
AVAILABLE	NOT APPLICABLE	34566-6483	9	A	BLACK	<table border="1"> <tr><td>72</td><td>71</td><td>70</td><td>69</td><td>68</td><td></td><td>66</td><td>65</td><td>64</td><td>63</td><td></td><td>61</td><td>60</td><td></td><td>57</td><td>56</td><td>54</td><td>53</td><td></td></tr> <tr><td>52</td><td>51</td><td>50</td><td>49</td><td>48</td><td></td><td>46</td><td>45</td><td>44</td><td>43</td><td></td><td>40</td><td>39</td><td>38</td><td>37</td><td>36</td><td>34</td><td>33</td><td></td></tr> <tr><td colspan="3">73</td><td></td><td>32</td><td>31</td><td>30</td><td>29</td><td>28</td><td></td><td>26</td><td>25</td><td>23</td><td>22</td><td>21</td><td>20</td><td></td><td></td><td></td></tr> <tr><td colspan="3">73</td><td></td><td></td><td>15</td><td>14</td><td>13</td><td>12</td><td></td><td>9</td><td>7</td><td>6</td><td>5</td><td></td><td></td><td>2</td><td></td><td></td></tr> </table>	72	71	70	69	68		66	65	64	63		61	60		57	56	54	53		52	51	50	49	48		46	45	44	43		40	39	38	37	36	34	33		73				32	31	30	29	28		26	25	23	22	21	20				73					15	14	13	12		9	7	6	5			2					
72	71	70	69	68		66	65	64	63		61	60		57	56	54	53																																																																				
52	51	50	49	48		46	45	44	43		40	39	38	37	36	34	33																																																																				
73				32	31	30	29	28		26	25	23	22	21	20																																																																						
73					15	14	13	12		9	7	6	5			2																																																																					
AVAILABLE	NOT APPLICABLE	34566-6493	9	B	ST.GRAY	<table border="1"> <tr><td>72</td><td></td><td>70</td><td></td><td></td><td></td><td></td><td></td><td></td><td>62</td><td>61</td><td></td><td></td><td></td><td>55</td><td></td><td></td><td></td><td></td></tr> <tr><td>52</td><td></td><td></td><td>48</td><td>47</td><td>46</td><td></td><td></td><td>43</td><td>41</td><td>40</td><td></td><td></td><td></td><td></td><td></td><td></td><td></td><td></td></tr> <tr><td colspan="3">73</td><td></td><td></td><td>30</td><td></td><td></td><td></td><td></td><td></td><td></td><td></td><td></td><td>20</td><td>19</td><td>18</td><td></td><td></td></tr> <tr><td colspan="3">73</td><td></td><td>16</td><td>15</td><td>14</td><td></td><td></td><td></td><td></td><td></td><td></td><td></td><td>4</td><td></td><td>2</td><td></td><td></td></tr> </table>	72		70							62	61				55					52			48	47	46			43	41	40									73					30									20	19	18			73				16	15	14								4		2					
72		70							62	61				55																																																																							
52			48	47	46			43	41	40																																																																											
73					30									20	19	18																																																																					
73				16	15	14								4		2																																																																					
AVAILABLE	NOT APPLICABLE	34566-6513	0	B	ST.GRAY	<table border="1"> <tr><td>72</td><td></td><td></td><td>68</td><td>67</td><td></td><td></td><td></td><td>62</td><td>61</td><td></td><td></td><td></td><td></td><td>55</td><td>54</td><td></td><td></td><td></td></tr> <tr><td>52</td><td></td><td></td><td></td><td>46</td><td></td><td></td><td></td><td>43</td><td></td><td>40</td><td></td><td></td><td></td><td></td><td></td><td></td><td></td><td></td></tr> <tr><td colspan="3">73</td><td></td><td></td><td></td><td></td><td></td><td></td><td></td><td></td><td></td><td></td><td></td><td>20</td><td>19</td><td>18</td><td>17</td><td></td></tr> <tr><td colspan="3">73</td><td></td><td>16</td><td>15</td><td>14</td><td></td><td></td><td></td><td>8</td><td></td><td></td><td></td><td>4</td><td>3</td><td>2</td><td></td><td></td></tr> </table>	72			68	67				62	61					55	54				52				46				43		40									73														20	19	18	17		73				16	15	14				8				4	3	2					
72			68	67				62	61					55	54																																																																						
52				46				43		40																																																																											
73														20	19	18	17																																																																				
73				16	15	14				8				4	3	2																																																																					
AVAILABLE	NOT APPLICABLE	34566-6523	0	B	ST.GRAY	<table border="1"> <tr><td></td><td></td><td></td><td>68</td><td>67</td><td></td><td></td><td>64</td><td></td><td></td><td></td><td>59</td><td>58</td><td></td><td></td><td>54</td><td></td><td></td><td></td></tr> <tr><td></td><td></td><td></td><td></td><td>46</td><td>45</td><td></td><td></td><td></td><td></td><td></td><td>39</td><td>38</td><td></td><td></td><td></td><td></td><td></td><td></td></tr> <tr><td colspan="3">73</td><td>32</td><td>30</td><td>29</td><td>28</td><td>27</td><td></td><td></td><td></td><td>23</td><td>22</td><td></td><td></td><td></td><td></td><td></td><td>17</td></tr> <tr><td colspan="3">73</td><td></td><td>15</td><td>13</td><td>11</td><td>10</td><td></td><td></td><td></td><td>6</td><td></td><td></td><td></td><td></td><td></td><td></td><td>1</td></tr> </table>				68	67			64				59	58			54								46	45						39	38							73			32	30	29	28	27				23	22						17	73				15	13	11	10				6							1			
			68	67			64				59	58			54																																																																						
				46	45						39	38																																																																									
73			32	30	29	28	27				23	22						17																																																																			
73				15	13	11	10				6							1																																																																			

QUALITY SYMBOLS ▽ = 0 ▽ = 0 ▽ = 0 ▽ = 0 ▽ = 0 ▽ = 0 ▽ = 0 ▽ = 0 ▽ = 0	THIS DRAWING CONTAINS INFORMATION THAT IS PROPRIETARY TO MOLEX ELECTRONIC TECHNOLOGIES, LLC AND SHOULD NOT BE USED WITHOUT WRITTEN PERMISSION											
	EC NO: 115012	DRWN: TYE	CHKD: JDENG02	REV: APPR: JDENG02	GENERAL TOLERANCES (UNLESS SPECIFIED)		DIMENSION UNITS	SCALE	 MX123 66/73/80CKT HRNS CONN ASSY PRODUCT CUSTOMER DRAWING			
	2017/03/27				ANGULAR TOL ± °		MM	1:1				
	2017/03/30				4 PLACES ±	SKRAJENDRANA	DATE	2011/02/14				
					3 PLACES ±	CHKD BY	DATE					
					2 PLACES ±	MVANSLAMBROU	DATE	2011/02/14				
					1 PLACE ±	APPR BY	DATE					
					0 PLACES ±	DRAWING SIZE		THIRD ANGLE PROJECTION	SERIES: 34566 MATERIAL NUMBER: SEE BOM TABLE CUSTOMER: GENERAL MARKET			
					DRAFT WHERE APPLICABLE MUST REMAIN WITHIN DIMENSIONS				D	DOCUMENT NUMBER: SD-34566-001 DOC TYPE: PSD DOC PART: 000 SHEET NUMBER: 71 OF 92		


STATUS	GM PART #	MATERIAL #	WIRE DRESS OPTION	KEY OPTION	COLOR (TPA)	NUMBERS INDICATE CAVITIES OPEN FOR CIRCUITS Fp																																																																																
AVAILABLE	NOT APPLICABLE	34566-6633	9	C	BLUE	<table border="1"> <tr><td></td><td></td><td></td><td>69</td><td>67</td><td>66</td><td></td><td>64</td><td>62</td><td>60</td><td></td><td></td><td>57</td><td></td><td>54</td><td></td></tr> <tr><td>52</td><td>51</td><td>50</td><td>48</td><td></td><td>46</td><td>45</td><td>44</td><td>42</td><td></td><td></td><td></td><td>37</td><td></td><td>34</td><td>33</td></tr> <tr><td colspan="3">73</td><td></td><td></td><td></td><td></td><td>28</td><td>27</td><td>26</td><td></td><td></td><td></td><td></td><td></td><td></td></tr> <tr><td></td><td></td><td></td><td>16</td><td>15</td><td>14</td><td>13</td><td>12</td><td>11</td><td>10</td><td>9</td><td>8</td><td>7</td><td></td><td></td><td></td></tr> </table>				69	67	66		64	62	60			57		54		52	51	50	48		46	45	44	42				37		34	33	73							28	27	26										16	15	14	13	12	11	10	9	8	7																			
			69	67	66		64	62	60			57		54																																																																								
52	51	50	48		46	45	44	42				37		34	33																																																																							
73							28	27	26																																																																													
			16	15	14	13	12	11	10	9	8	7																																																																										
AVAILABLE	NOT APPLICABLE	34566-6643	9	C	BLUE	<table border="1"> <tr><td></td><td>71</td><td></td><td></td><td>68</td><td>67</td><td></td><td>65</td><td>64</td><td>63</td><td></td><td>61</td><td>60</td><td></td><td>58</td><td>57</td><td></td><td>54</td><td></td></tr> <tr><td>52</td><td>51</td><td>50</td><td>48</td><td></td><td></td><td></td><td>45</td><td></td><td>43</td><td></td><td>41</td><td></td><td></td><td>38</td><td>37</td><td></td><td>34</td><td>33</td></tr> <tr><td colspan="3">73</td><td></td><td></td><td></td><td></td><td></td><td>28</td><td>27</td><td></td><td>25</td><td></td><td></td><td></td><td></td><td></td><td>18</td><td></td></tr> <tr><td></td><td></td><td></td><td>16</td><td>15</td><td>14</td><td>13</td><td>12</td><td>11</td><td>10</td><td>9</td><td>8</td><td>7</td><td></td><td></td><td></td><td></td><td></td><td></td></tr> </table>		71			68	67		65	64	63		61	60		58	57		54		52	51	50	48				45		43		41			38	37		34	33	73								28	27		25						18					16	15	14	13	12	11	10	9	8	7										
	71			68	67		65	64	63		61	60		58	57		54																																																																					
52	51	50	48				45		43		41			38	37		34	33																																																																				
73								28	27		25						18																																																																					
			16	15	14	13	12	11	10	9	8	7																																																																										
AVAILABLE	NOT APPLICABLE	34566-6653	9	B	ST.GRAY	<table border="1"> <tr><td>72</td><td></td><td></td><td></td><td>68</td><td></td><td></td><td></td><td></td><td></td><td>62</td><td>61</td><td>60</td><td>59</td><td></td><td></td><td></td><td>55</td><td></td></tr> <tr><td>52</td><td></td><td></td><td></td><td>48</td><td>47</td><td>46</td><td></td><td>44</td><td>43</td><td></td><td>41</td><td>40</td><td></td><td>38</td><td>37</td><td>36</td><td>35</td><td></td></tr> <tr><td colspan="3">73</td><td></td><td></td><td>30</td><td></td><td></td><td></td><td></td><td></td><td></td><td>8</td><td></td><td></td><td></td><td>20</td><td>19</td><td>18</td></tr> <tr><td></td><td></td><td></td><td>16</td><td></td><td>14</td><td></td><td></td><td></td><td></td><td></td><td></td><td></td><td></td><td></td><td>5</td><td>4</td><td></td><td>1</td></tr> </table>	72				68						62	61	60	59				55		52				48	47	46		44	43		41	40		38	37	36	35		73					30							8				20	19	18				16		14										5	4		1				
72				68						62	61	60	59				55																																																																					
52				48	47	46		44	43		41	40		38	37	36	35																																																																					
73					30							8				20	19	18																																																																				
			16		14										5	4		1																																																																				
AVAILABLE	NOT APPLICABLE	34566-6663	9	A	BLACK	<table border="1"> <tr><td>72</td><td>71</td><td>70</td><td>69</td><td>68</td><td></td><td>66</td><td>65</td><td>64</td><td>63</td><td></td><td></td><td>60</td><td></td><td></td><td>57</td><td>56</td><td></td><td>54</td></tr> <tr><td>52</td><td>51</td><td>50</td><td>49</td><td>48</td><td></td><td>46</td><td>45</td><td>44</td><td>43</td><td>42</td><td></td><td>40</td><td>39</td><td>38</td><td>37</td><td>36</td><td></td><td>34</td></tr> <tr><td colspan="3">73</td><td></td><td>32</td><td>31</td><td>30</td><td>29</td><td>28</td><td></td><td>26</td><td>25</td><td></td><td>23</td><td>22</td><td>21</td><td>20</td><td></td><td></td></tr> <tr><td></td><td></td><td></td><td></td><td></td><td>15</td><td>14</td><td>13</td><td>12</td><td></td><td></td><td>9</td><td></td><td>7</td><td>6</td><td>5</td><td>4</td><td></td><td>2</td></tr> </table>	72	71	70	69	68		66	65	64	63			60			57	56		54	52	51	50	49	48		46	45	44	43	42		40	39	38	37	36		34	73				32	31	30	29	28		26	25		23	22	21	20								15	14	13	12			9		7	6	5	4		2				
72	71	70	69	68		66	65	64	63			60			57	56		54																																																																				
52	51	50	49	48		46	45	44	43	42		40	39	38	37	36		34																																																																				
73				32	31	30	29	28		26	25		23	22	21	20																																																																						
					15	14	13	12			9		7	6	5	4		2																																																																				
AVAILABLE	NOT APPLICABLE	34566-6673	9	B	ST.GRAY	<table border="1"> <tr><td>72</td><td>71</td><td>70</td><td>69</td><td>68</td><td>67</td><td>66</td><td>65</td><td>64</td><td>63</td><td></td><td>61</td><td>60</td><td>59</td><td></td><td>57</td><td>56</td><td>55</td><td></td></tr> <tr><td>52</td><td>51</td><td>50</td><td>49</td><td>48</td><td>47</td><td>46</td><td>45</td><td>44</td><td>43</td><td></td><td>41</td><td>40</td><td>39</td><td>38</td><td>37</td><td>36</td><td>35</td><td>34</td><td>33</td></tr> <tr><td colspan="3">73</td><td></td><td>32</td><td>31</td><td>30</td><td>29</td><td>28</td><td></td><td>26</td><td>25</td><td>24</td><td>23</td><td>22</td><td>21</td><td>20</td><td>19</td><td>18</td><td>17</td></tr> <tr><td></td><td></td><td></td><td></td><td>16</td><td>15</td><td>14</td><td>13</td><td>12</td><td>11</td><td></td><td>9</td><td>8</td><td>7</td><td>6</td><td>5</td><td>4</td><td>3</td><td>2</td><td>1</td></tr> </table>	72	71	70	69	68	67	66	65	64	63		61	60	59		57	56	55		52	51	50	49	48	47	46	45	44	43		41	40	39	38	37	36	35	34	33	73				32	31	30	29	28		26	25	24	23	22	21	20	19	18	17					16	15	14	13	12	11		9	8	7	6	5	4	3	2	1	
72	71	70	69	68	67	66	65	64	63		61	60	59		57	56	55																																																																					
52	51	50	49	48	47	46	45	44	43		41	40	39	38	37	36	35	34	33																																																																			
73				32	31	30	29	28		26	25	24	23	22	21	20	19	18	17																																																																			
				16	15	14	13	12	11		9	8	7	6	5	4	3	2	1																																																																			
AVAILABLE	NOT APPLICABLE	34566-6683	9	A	BLACK	<table border="1"> <tr><td>72</td><td></td><td>70</td><td></td><td></td><td>67</td><td></td><td></td><td></td><td></td><td>63</td><td></td><td>60</td><td>59</td><td>58</td><td>57</td><td></td><td></td><td></td></tr> <tr><td>52</td><td></td><td></td><td></td><td>48</td><td>47</td><td>46</td><td></td><td></td><td>43</td><td>42</td><td></td><td>40</td><td>39</td><td>38</td><td>37</td><td></td><td></td><td></td></tr> <tr><td colspan="3">73</td><td></td><td>32</td><td>31</td><td>30</td><td>29</td><td>28</td><td>27</td><td></td><td></td><td></td><td></td><td>22</td><td>21</td><td></td><td></td><td></td></tr> <tr><td></td><td></td><td></td><td></td><td>16</td><td>15</td><td>14</td><td>13</td><td>12</td><td>11</td><td></td><td>9</td><td></td><td></td><td>6</td><td></td><td></td><td></td><td>2</td><td>1</td></tr> </table>	72		70			67					63		60	59	58	57				52				48	47	46			43	42		40	39	38	37				73				32	31	30	29	28	27					22	21								16	15	14	13	12	11		9			6				2	1			
72		70			67					63		60	59	58	57																																																																							
52				48	47	46			43	42		40	39	38	37																																																																							
73				32	31	30	29	28	27					22	21																																																																							
				16	15	14	13	12	11		9			6				2	1																																																																			
AVAILABLE	NOT APPLICABLE	34566-6693	9	C	BLUE	<table border="1"> <tr><td>72</td><td>71</td><td>70</td><td>69</td><td></td><td>67</td><td>66</td><td>65</td><td>64</td><td></td><td></td><td></td><td></td><td></td><td></td><td>56</td><td></td><td></td><td>54</td></tr> <tr><td>52</td><td>51</td><td>50</td><td>49</td><td></td><td>47</td><td>46</td><td>45</td><td>44</td><td></td><td></td><td></td><td></td><td>39</td><td>38</td><td></td><td></td><td></td><td>34</td></tr> <tr><td colspan="3">73</td><td></td><td></td><td>31</td><td>30</td><td>29</td><td>28</td><td></td><td>26</td><td>25</td><td>24</td><td>23</td><td>22</td><td>21</td><td></td><td></td><td>17</td></tr> <tr><td></td><td></td><td></td><td></td><td></td><td>16</td><td>15</td><td>14</td><td>13</td><td>12</td><td></td><td>9</td><td>8</td><td>7</td><td>6</td><td>5</td><td></td><td></td><td></td></tr> </table>	72	71	70	69		67	66	65	64							56			54	52	51	50	49		47	46	45	44					39	38				34	73					31	30	29	28		26	25	24	23	22	21			17						16	15	14	13	12		9	8	7	6	5							
72	71	70	69		67	66	65	64							56			54																																																																				
52	51	50	49		47	46	45	44					39	38				34																																																																				
73					31	30	29	28		26	25	24	23	22	21			17																																																																				
					16	15	14	13	12		9	8	7	6	5																																																																							
AVAILABLE	NOT APPLICABLE	34822-0063	9	A	BLACK	<table border="1"> <tr><td></td><td>63</td><td>62</td><td>61</td><td>60</td><td>59</td><td></td><td></td><td></td><td></td><td>54</td><td>53</td><td></td><td>51</td><td></td><td>49</td><td></td><td></td><td>66</td></tr> <tr><td></td><td>47</td><td></td><td></td><td></td><td></td><td></td><td></td><td></td><td></td><td>38</td><td>37</td><td></td><td>35</td><td></td><td>33</td><td></td><td></td><td></td></tr> <tr><td colspan="3">65</td><td></td><td></td><td></td><td></td><td></td><td>28</td><td></td><td>25</td><td></td><td></td><td>22</td><td>21</td><td>20</td><td>19</td><td>18</td><td>17</td></tr> <tr><td></td><td></td><td></td><td></td><td></td><td>15</td><td>14</td><td>13</td><td></td><td></td><td></td><td>8</td><td>7</td><td></td><td></td><td></td><td>3</td><td>2</td><td>1</td></tr> </table>		63	62	61	60	59					54	53		51		49			66		47									38	37		35		33				65								28		25			22	21	20	19	18	17						15	14	13				8	7				3	2	1				
	63	62	61	60	59					54	53		51		49			66																																																																				
	47									38	37		35		33																																																																							
65								28		25			22	21	20	19	18	17																																																																				
					15	14	13				8	7				3	2	1																																																																				
AVAILABLE	NOT APPLICABLE	34566-6713	9	A	BLACK	<table border="1"> <tr><td>72</td><td>71</td><td>70</td><td>69</td><td>68</td><td></td><td>66</td><td>65</td><td>64</td><td>63</td><td></td><td>61</td><td>60</td><td></td><td></td><td>57</td><td>56</td><td></td><td>54</td><td>53</td></tr> <tr><td>52</td><td>51</td><td>50</td><td>49</td><td>48</td><td></td><td>46</td><td>45</td><td>44</td><td>43</td><td>42</td><td>41</td><td>40</td><td>39</td><td>38</td><td>37</td><td>36</td><td></td><td>34</td><td>33</td></tr> <tr><td colspan="3">73</td><td></td><td>32</td><td>31</td><td>30</td><td>29</td><td>28</td><td></td><td>26</td><td>25</td><td></td><td>23</td><td>22</td><td>21</td><td></td><td></td><td></td><td></td></tr> <tr><td></td><td></td><td></td><td></td><td></td><td>15</td><td>14</td><td>13</td><td>12</td><td></td><td></td><td>9</td><td></td><td>7</td><td>6</td><td>5</td><td></td><td></td><td>2</td><td>1</td></tr> </table>	72	71	70	69	68		66	65	64	63		61	60			57	56		54	53	52	51	50	49	48		46	45	44	43	42	41	40	39	38	37	36		34	33	73				32	31	30	29	28		26	25		23	22	21										15	14	13	12			9		7	6	5			2	1
72	71	70	69	68		66	65	64	63		61	60			57	56		54	53																																																																			
52	51	50	49	48		46	45	44	43	42	41	40	39	38	37	36		34	33																																																																			
73				32	31	30	29	28		26	25		23	22	21																																																																							
					15	14	13	12			9		7	6	5			2	1																																																																			

QUALITY SYMBOLS 	THIS DRAWING CONTAINS INFORMATION THAT IS PROPRIETARY TO MOLEX ELECTRONIC TECHNOLOGIES, LLC AND SHOULD NOT BE USED WITHOUT WRITTEN PERMISSION									
	EC NO: 115012 DRWN: TYE CHKD: REV APPR: JDENG02	2017/03/27 2017/03/30	GENERAL TOLERANCES (UNLESS SPECIFIED)		DIMENSION UNITS	SCALE				
			ANGULAR TOL ± °		MM	1:1				
			4 PLACES ±	DRWN BY	DATE					
			3 PLACES ±	SKRAJENDRANA	2011/02/14					
			2 PLACES ±	CHKD BY	DATE					
	1 PLACE ±	MVANSLAMBROU	2011/02/14							
	0 PLACES ±	APPR BY	DATE	DRAWING SIZE		THIRD ANGLE PROJECTION	PRODUCT CUSTOMER DRAWING			
	DRAFT WHERE APPLICABLE MUST REMAIN WITHIN DIMENSIONS		D			SERIES	MATERIAL NUMBER	CUSTOMER		
					34566	SEE BOM TABLE	GENERAL MARKET			
				DOCUMENT NUMBER		DOC TYPE	DOC PART	SHEET NUMBER		
				SD-34566-001		PSD	000	73 OF 92		

STATUS	GM PART #	MATERIAL #	WIRE DRESS OPTION	KEY OPTION ▽	COLOR (TPA) ▽	NUMBERS INDICATE CAVITIES OPEN FOR CIRCUITS F _P																																																																																								
AVAILABLE	NOT APPLICABLE	34566-6723	0	H	ST.GRAY	<table border="1"> <tr><td>79</td><td></td><td></td><td></td><td></td><td></td><td>74</td><td>73</td><td></td><td></td><td></td><td></td><td></td><td></td><td>67</td><td></td><td>65</td><td>64</td><td>63</td><td>62</td><td>61</td></tr> <tr><td>59</td><td></td><td></td><td></td><td></td><td></td><td></td><td>53</td><td>52</td><td></td><td></td><td></td><td></td><td></td><td></td><td></td><td></td><td>44</td><td>43</td><td>42</td><td>41</td></tr> <tr><td></td><td></td><td>38</td><td></td><td></td><td></td><td></td><td>33</td><td></td><td></td><td></td><td></td><td></td><td></td><td>27</td><td></td><td>25</td><td></td><td></td><td></td><td></td></tr> <tr><td></td><td></td><td>18</td><td></td><td></td><td></td><td>15</td><td>14</td><td>13</td><td>12</td><td></td><td></td><td></td><td>10</td><td>9</td><td>8</td><td>7</td><td></td><td></td><td></td><td></td></tr> </table>	79						74	73							67		65	64	63	62	61	59							53	52									44	43	42	41			38					33							27		25							18				15	14	13	12				10	9	8	7								
79						74	73							67		65	64	63	62	61																																																																										
59							53	52									44	43	42	41																																																																										
		38					33							27		25																																																																														
		18				15	14	13	12				10	9	8	7																																																																														
AVAILABLE	NOT APPLICABLE	34566-6733	0	G	BLUE	<table border="1"> <tr><td></td><td></td><td>78</td><td>77</td><td></td><td>75</td><td>74</td><td></td><td>72</td><td></td><td>70</td><td></td><td></td><td></td><td></td><td></td><td></td><td>64</td><td>63</td><td></td><td></td></tr> <tr><td>60</td><td></td><td>58</td><td>57</td><td></td><td>55</td><td>54</td><td></td><td>52</td><td>51</td><td>50</td><td>49</td><td></td><td></td><td>47</td><td></td><td>45</td><td></td><td></td><td></td><td></td></tr> <tr><td>40</td><td>39</td><td>38</td><td>37</td><td></td><td></td><td></td><td></td><td>33</td><td>32</td><td>31</td><td></td><td></td><td></td><td>27</td><td>26</td><td></td><td></td><td></td><td></td><td></td></tr> <tr><td>20</td><td>19</td><td>18</td><td>17</td><td></td><td></td><td></td><td></td><td></td><td></td><td></td><td></td><td></td><td>10</td><td>9</td><td>8</td><td>6</td><td></td><td>4</td><td>3</td><td>2</td><td>1</td></tr> </table>			78	77		75	74		72		70							64	63			60		58	57		55	54		52	51	50	49			47		45					40	39	38	37					33	32	31				27	26						20	19	18	17										10	9	8	6		4	3	2	1			
		78	77		75	74		72		70							64	63																																																																												
60		58	57		55	54		52	51	50	49			47		45																																																																														
40	39	38	37					33	32	31				27	26																																																																															
20	19	18	17										10	9	8	6		4	3	2	1																																																																									
AVAILABLE	NOT APPLICABLE	34566-6743	9	C	BLUE	<table border="1"> <tr><td>71</td><td></td><td>69</td><td>68</td><td>67</td><td></td><td>65</td><td>64</td><td>63</td><td></td><td>61</td><td>60</td><td></td><td></td><td>57</td><td></td><td></td><td></td><td></td><td></td><td></td></tr> <tr><td>52</td><td>51</td><td>50</td><td></td><td>48</td><td></td><td>46</td><td>45</td><td></td><td>43</td><td></td><td>41</td><td></td><td></td><td>37</td><td></td><td></td><td></td><td></td><td>34</td><td>33</td></tr> <tr><td></td><td></td><td>73</td><td></td><td></td><td></td><td></td><td></td><td></td><td>28</td><td>27</td><td>25</td><td></td><td></td><td></td><td></td><td></td><td></td><td></td><td></td><td></td></tr> <tr><td></td><td></td><td></td><td></td><td></td><td></td><td>16</td><td>15</td><td>14</td><td>13</td><td>12</td><td>11</td><td>10</td><td>9</td><td>8</td><td>7</td><td></td><td></td><td></td><td></td><td></td></tr> </table>	71		69	68	67		65	64	63		61	60			57							52	51	50		48		46	45		43		41			37					34	33			73							28	27	25																16	15	14	13	12	11	10	9	8	7									
71		69	68	67		65	64	63		61	60			57																																																																																
52	51	50		48		46	45		43		41			37					34	33																																																																										
		73							28	27	25																																																																																			
						16	15	14	13	12	11	10	9	8	7																																																																															
AVAILABLE	NOT APPLICABLE	34566-6753	9	A	BLACK	<table border="1"> <tr><td>72</td><td>71</td><td>70</td><td>69</td><td>68</td><td></td><td>66</td><td>65</td><td>64</td><td></td><td></td><td>61</td><td>60</td><td></td><td></td><td>57</td><td>56</td><td></td><td>54</td><td>53</td></tr> <tr><td>52</td><td>51</td><td>50</td><td>49</td><td>48</td><td></td><td>46</td><td>45</td><td>44</td><td>43</td><td>42</td><td></td><td>40</td><td>39</td><td>38</td><td>37</td><td>36</td><td></td><td>34</td><td>33</td></tr> <tr><td></td><td></td><td>73</td><td></td><td></td><td></td><td>31</td><td>30</td><td>29</td><td>28</td><td></td><td></td><td></td><td>23</td><td>22</td><td>21</td><td>20</td><td></td><td></td><td></td></tr> <tr><td></td><td></td><td></td><td></td><td></td><td></td><td>15</td><td>14</td><td>13</td><td>12</td><td></td><td></td><td></td><td>7</td><td>6</td><td>5</td><td>4</td><td></td><td></td><td>2</td></tr> </table>	72	71	70	69	68		66	65	64			61	60			57	56		54	53	52	51	50	49	48		46	45	44	43	42		40	39	38	37	36		34	33			73				31	30	29	28				23	22	21	20										15	14	13	12				7	6	5	4			2								
72	71	70	69	68		66	65	64			61	60			57	56		54	53																																																																											
52	51	50	49	48		46	45	44	43	42		40	39	38	37	36		34	33																																																																											
		73				31	30	29	28				23	22	21	20																																																																														
						15	14	13	12				7	6	5	4			2																																																																											
AVAILABLE	NOT APPLICABLE	34566-6763	9	B	ST.GRAY	<table border="1"> <tr><td>72</td><td></td><td></td><td></td><td>68</td><td></td><td></td><td></td><td></td><td></td><td>62</td><td>61</td><td></td><td></td><td></td><td></td><td></td><td></td><td></td><td>55</td><td></td></tr> <tr><td>52</td><td></td><td>50</td><td>49</td><td></td><td></td><td>46</td><td>45</td><td></td><td>43</td><td></td><td></td><td>40</td><td></td><td></td><td></td><td></td><td></td><td></td><td>34</td><td></td></tr> <tr><td></td><td></td><td>73</td><td></td><td></td><td></td><td></td><td></td><td>29</td><td></td><td></td><td></td><td></td><td></td><td></td><td>22</td><td>21</td><td>20</td><td>19</td><td>18</td><td></td></tr> <tr><td></td><td></td><td></td><td></td><td></td><td></td><td>16</td><td>14</td><td></td><td></td><td></td><td></td><td>8</td><td></td><td>6</td><td>5</td><td>4</td><td></td><td></td><td></td><td></td></tr> </table>	72				68						62	61								55		52		50	49			46	45		43			40							34				73						29							22	21	20	19	18								16	14					8		6	5	4								
72				68						62	61								55																																																																											
52		50	49			46	45		43			40							34																																																																											
		73						29							22	21	20	19	18																																																																											
						16	14					8		6	5	4																																																																														
AVAILABLE	NOT APPLICABLE	34566-6773	0	C	BLUE	<table border="1"> <tr><td>72</td><td></td><td>70</td><td></td><td>68</td><td></td><td>66</td><td></td><td></td><td></td><td>63</td><td>62</td><td></td><td></td><td>59</td><td>58</td><td>57</td><td></td><td></td><td></td><td>53</td></tr> <tr><td>52</td><td>51</td><td></td><td>49</td><td>48</td><td>47</td><td>46</td><td></td><td>44</td><td></td><td>42</td><td></td><td>40</td><td>39</td><td></td><td></td><td></td><td></td><td></td><td>34</td><td>33</td></tr> <tr><td></td><td></td><td>73</td><td></td><td></td><td></td><td>32</td><td>30</td><td></td><td></td><td></td><td>26</td><td>25</td><td></td><td></td><td>22</td><td>21</td><td></td><td>19</td><td>18</td><td>17</td></tr> <tr><td></td><td></td><td></td><td></td><td></td><td></td><td>15</td><td>14</td><td></td><td></td><td></td><td>10</td><td>9</td><td></td><td></td><td>6</td><td>5</td><td>4</td><td></td><td></td><td>1</td></tr> </table>	72		70		68		66				63	62			59	58	57				53	52	51		49	48	47	46		44		42		40	39						34	33			73				32	30				26	25			22	21		19	18	17							15	14				10	9			6	5	4			1				
72		70		68		66				63	62			59	58	57				53																																																																										
52	51		49	48	47	46		44		42		40	39						34	33																																																																										
		73				32	30				26	25			22	21		19	18	17																																																																										
						15	14				10	9			6	5	4			1																																																																										
AVAILABLE	NOT APPLICABLE	34566-6783	0	B	ST.GRAY	<table border="1"> <tr><td>72</td><td></td><td>70</td><td></td><td>68</td><td></td><td>66</td><td></td><td></td><td></td><td></td><td></td><td>60</td><td>59</td><td></td><td></td><td></td><td></td><td></td><td>55</td><td>54</td><td>53</td></tr> <tr><td>52</td><td></td><td>50</td><td></td><td>48</td><td></td><td>46</td><td></td><td></td><td>43</td><td></td><td></td><td>40</td><td>39</td><td></td><td></td><td></td><td></td><td></td><td>35</td><td>34</td><td>33</td></tr> <tr><td></td><td></td><td>73</td><td></td><td></td><td></td><td>32</td><td>31</td><td>30</td><td>29</td><td>28</td><td>27</td><td>26</td><td>25</td><td>24</td><td>23</td><td></td><td></td><td></td><td></td><td></td><td>17</td></tr> <tr><td></td><td></td><td></td><td></td><td></td><td></td><td>16</td><td></td><td></td><td></td><td></td><td></td><td>10</td><td>8</td><td>7</td><td></td><td></td><td></td><td></td><td></td><td>2</td><td>1</td></tr> </table>	72		70		68		66						60	59						55	54	53	52		50		48		46			43			40	39						35	34	33			73				32	31	30	29	28	27	26	25	24	23						17							16						10	8	7						2	1
72		70		68		66						60	59						55	54	53																																																																									
52		50		48		46			43			40	39						35	34	33																																																																									
		73				32	31	30	29	28	27	26	25	24	23						17																																																																									
						16						10	8	7						2	1																																																																									
AVAILABLE	NOT APPLICABLE	34566-6793	0	B	ST.GRAY	<table border="1"> <tr><td>72</td><td></td><td>70</td><td></td><td>68</td><td></td><td>66</td><td></td><td>64</td><td>63</td><td></td><td></td><td>60</td><td>59</td><td></td><td></td><td></td><td></td><td></td><td>55</td><td>54</td><td>53</td></tr> <tr><td>52</td><td></td><td>50</td><td></td><td>48</td><td></td><td>46</td><td></td><td></td><td>43</td><td></td><td></td><td>40</td><td>39</td><td></td><td></td><td></td><td></td><td></td><td>35</td><td>34</td><td>33</td></tr> <tr><td></td><td></td><td>73</td><td></td><td></td><td></td><td>32</td><td>31</td><td>30</td><td>29</td><td>28</td><td>27</td><td>26</td><td>25</td><td>24</td><td>23</td><td></td><td></td><td>20</td><td></td><td></td><td>17</td></tr> <tr><td></td><td></td><td></td><td></td><td></td><td></td><td>16</td><td></td><td></td><td></td><td></td><td></td><td>10</td><td>8</td><td>7</td><td></td><td></td><td></td><td>5</td><td>4</td><td></td><td>1</td></tr> </table>	72		70		68		66		64	63			60	59						55	54	53	52		50		48		46			43			40	39						35	34	33			73				32	31	30	29	28	27	26	25	24	23			20			17							16						10	8	7				5	4		1
72		70		68		66		64	63			60	59						55	54	53																																																																									
52		50		48		46			43			40	39						35	34	33																																																																									
		73				32	31	30	29	28	27	26	25	24	23			20			17																																																																									
						16						10	8	7				5	4		1																																																																									
AVAILABLE	NOT APPLICABLE	34566-6813	9	A	BLACK	<table border="1"> <tr><td>71</td><td>70</td><td>69</td><td>68</td><td>67</td><td></td><td>65</td><td>64</td><td>63</td><td>62</td><td>61</td><td>60</td><td></td><td></td><td>58</td><td>57</td><td>56</td><td>55</td><td>54</td><td>53</td></tr> <tr><td>52</td><td>51</td><td>50</td><td>49</td><td>48</td><td>47</td><td>45</td><td>44</td><td>43</td><td>42</td><td>41</td><td>40</td><td>39</td><td></td><td></td><td>37</td><td>36</td><td></td><td></td><td>34</td></tr> <tr><td></td><td></td><td>73</td><td></td><td></td><td></td><td>32</td><td>30</td><td>29</td><td>28</td><td>27</td><td>26</td><td>25</td><td>24</td><td></td><td></td><td>21</td><td></td><td></td><td>18</td></tr> <tr><td></td><td></td><td></td><td></td><td></td><td></td><td>16</td><td>15</td><td>14</td><td>13</td><td>12</td><td>11</td><td>10</td><td>9</td><td>8</td><td></td><td>5</td><td>3</td><td></td><td></td><td></td></tr> </table>	71	70	69	68	67		65	64	63	62	61	60			58	57	56	55	54	53	52	51	50	49	48	47	45	44	43	42	41	40	39			37	36			34			73				32	30	29	28	27	26	25	24			21			18							16	15	14	13	12	11	10	9	8		5	3										
71	70	69	68	67		65	64	63	62	61	60			58	57	56	55	54	53																																																																											
52	51	50	49	48	47	45	44	43	42	41	40	39			37	36			34																																																																											
		73				32	30	29	28	27	26	25	24			21			18																																																																											
						16	15	14	13	12	11	10	9	8		5	3																																																																													

QUALITY SYMBOLS ▽ = 0 ▽ = 0 ▽ = 0 ▽ = 0 ▽ = 0 ▽ = 0 ▽ = 0 ▽ = 0 ▽ = 0 ▽ = 0	THIS DRAWING CONTAINS INFORMATION THAT IS PROPRIETARY TO MOLEX ELECTRONIC TECHNOLOGIES, LLC AND SHOULD NOT BE USED WITHOUT WRITTEN PERMISSION									
	2017/03/27	2017/03/30	GENERAL TOLERANCES (UNLESS SPECIFIED)		DIMENSION UNITS	SCALE	 MX123 66/73/80CKT HRNS CONN ASSY PRODUCT CUSTOMER DRAWING			
	DRWN: TYE	CHKD: JDENG02	ANGULAR TOL ± °		MM	1:1				
	REV: G49	APPR: JDENG02	4 PLACES ±	SKRAJENDRANA	DATE	2011/02/14				
			3 PLACES ±	CHKD BY	DATE					
			2 PLACES ±	MVANSLAMBROU	DATE	2011/02/14				
			1 PLACE ±	APPR BY	DATE					
			0 PLACES ±	DRAWING SIZE		THIRD ANGLE PROJECTION				
			DRAFT WHERE APPLICABLE MUST REMAIN WITHIN DIMENSIONS		D					
			SERIES	MATERIAL NUMBER	CUSTOMER					
		34566	SEE BOM TABLE	GENERAL MARKET						
		DOCUMENT NUMBER	DOC TYPE	DOC PART	SHEET NUMBER					
		SD-34566-001	PSD	000	74 OF 92					

STATUS	GM PART #	MATERIAL #	WIRE DRESS OPTION	KEY OPTION ▽	COLOR (TPA) ▽	NUMBERS INDICATE CAVITIES OPEN FOR CIRCUITS F _P																																																																																				
AVAILABLE	NOT APPLICABLE	34566-6823	9	C	BLUE	<table border="1"> <tr><td>72</td><td></td><td>70</td><td></td><td>68</td><td>67</td><td>66</td><td></td><td></td><td>63</td><td>62</td><td></td><td></td><td>59</td><td></td><td>57</td><td></td><td></td><td></td><td>53</td></tr> <tr><td>52</td><td>51</td><td></td><td>49</td><td>48</td><td>47</td><td>46</td><td></td><td>44</td><td></td><td></td><td>41</td><td>40</td><td>39</td><td></td><td>37</td><td>36</td><td>35</td><td>34</td><td>33</td></tr> <tr><td colspan="2"></td><td colspan="2">73</td><td colspan="2"></td><td>32</td><td>30</td><td></td><td></td><td>27</td><td>26</td><td>25</td><td>24</td><td></td><td>22</td><td>21</td><td>20</td><td></td><td></td></tr> <tr><td colspan="2"></td><td colspan="2"></td><td>15</td><td>14</td><td>13</td><td></td><td></td><td></td><td>10</td><td>9</td><td>8</td><td></td><td>6</td><td>5</td><td>4</td><td></td><td></td><td>2</td></tr> </table>	72		70		68	67	66			63	62			59		57				53	52	51		49	48	47	46		44			41	40	39		37	36	35	34	33			73				32	30			27	26	25	24		22	21	20							15	14	13				10	9	8		6	5	4			2				
72		70		68	67	66			63	62			59		57				53																																																																							
52	51		49	48	47	46		44			41	40	39		37	36	35	34	33																																																																							
		73				32	30			27	26	25	24		22	21	20																																																																									
				15	14	13				10	9	8		6	5	4			2																																																																							
AVAILABLE	NOT APPLICABLE	34566-6833	0	A	BLACK	<table border="1"> <tr><td></td><td></td><td>70</td><td>69</td><td></td><td></td><td></td><td></td><td></td><td>63</td><td></td><td></td><td>60</td><td>59</td><td>58</td><td>57</td><td>56</td><td>55</td><td>54</td><td>53</td></tr> <tr><td>52</td><td>51</td><td></td><td>49</td><td>48</td><td>47</td><td></td><td></td><td>44</td><td>43</td><td>42</td><td>41</td><td>40</td><td></td><td></td><td>37</td><td>36</td><td></td><td>34</td><td>33</td></tr> <tr><td colspan="2"></td><td colspan="2">73</td><td colspan="2"></td><td>32</td><td></td><td></td><td>28</td><td>26</td><td></td><td></td><td></td><td></td><td></td><td></td><td>19</td><td>18</td><td></td></tr> <tr><td colspan="2"></td><td colspan="2"></td><td>16</td><td>15</td><td></td><td></td><td>12</td><td>10</td><td></td><td></td><td></td><td></td><td></td><td></td><td></td><td>3</td><td></td><td></td></tr> </table>			70	69						63			60	59	58	57	56	55	54	53	52	51		49	48	47			44	43	42	41	40			37	36		34	33			73				32			28	26							19	18						16	15			12	10								3						
		70	69						63			60	59	58	57	56	55	54	53																																																																							
52	51		49	48	47			44	43	42	41	40			37	36		34	33																																																																							
		73				32			28	26							19	18																																																																								
				16	15			12	10								3																																																																									
AVAILABLE	NOT APPLICABLE	34566-6843	0	A	BLACK	<table border="1"> <tr><td>72</td><td>71</td><td>70</td><td>69</td><td>68</td><td></td><td>66</td><td>65</td><td>64</td><td>63</td><td></td><td>61</td><td>60</td><td></td><td></td><td>57</td><td>56</td><td></td><td>54</td><td>53</td></tr> <tr><td>52</td><td>51</td><td>50</td><td>49</td><td>48</td><td></td><td>46</td><td>45</td><td>44</td><td>43</td><td></td><td></td><td>40</td><td>39</td><td>38</td><td>37</td><td>36</td><td></td><td>34</td><td>33</td></tr> <tr><td colspan="2"></td><td colspan="2">73</td><td colspan="2"></td><td>32</td><td>31</td><td>30</td><td>29</td><td>28</td><td></td><td>26</td><td>25</td><td></td><td>23</td><td>22</td><td>21</td><td>20</td><td></td><td>17</td></tr> <tr><td colspan="2"></td><td colspan="2"></td><td>15</td><td>14</td><td>13</td><td>12</td><td></td><td></td><td></td><td>9</td><td></td><td>7</td><td>6</td><td>5</td><td>4</td><td></td><td></td><td></td><td>2</td></tr> </table>	72	71	70	69	68		66	65	64	63		61	60			57	56		54	53	52	51	50	49	48		46	45	44	43			40	39	38	37	36		34	33			73				32	31	30	29	28		26	25		23	22	21	20		17					15	14	13	12				9		7	6	5	4				2		
72	71	70	69	68		66	65	64	63		61	60			57	56		54	53																																																																							
52	51	50	49	48		46	45	44	43			40	39	38	37	36		34	33																																																																							
		73				32	31	30	29	28		26	25		23	22	21	20		17																																																																						
				15	14	13	12				9		7	6	5	4				2																																																																						
AVAILABLE	NOT APPLICABLE	34566-6853	0	C	BLUE	<table border="1"> <tr><td></td><td></td><td></td><td>69</td><td></td><td>67</td><td>66</td><td></td><td>64</td><td></td><td>62</td><td>61</td><td>60</td><td></td><td></td><td>57</td><td></td><td>55</td><td>54</td><td></td></tr> <tr><td>52</td><td>51</td><td>50</td><td>49</td><td>48</td><td></td><td>46</td><td>45</td><td>44</td><td></td><td>42</td><td>41</td><td></td><td></td><td></td><td>37</td><td></td><td>35</td><td>34</td><td>33</td></tr> <tr><td colspan="2"></td><td colspan="2">73</td><td colspan="2"></td><td>32</td><td></td><td></td><td>28</td><td>27</td><td>26</td><td>25</td><td></td><td></td><td></td><td></td><td>19</td><td>18</td><td>17</td></tr> <tr><td colspan="2"></td><td colspan="2"></td><td>16</td><td>15</td><td>14</td><td>13</td><td>12</td><td>11</td><td>10</td><td>9</td><td>8</td><td>7</td><td></td><td></td><td></td><td></td><td></td><td></td></tr> </table>				69		67	66		64		62	61	60			57		55	54		52	51	50	49	48		46	45	44		42	41				37		35	34	33			73				32			28	27	26	25					19	18	17					16	15	14	13	12	11	10	9	8	7										
			69		67	66		64		62	61	60			57		55	54																																																																								
52	51	50	49	48		46	45	44		42	41				37		35	34	33																																																																							
		73				32			28	27	26	25					19	18	17																																																																							
				16	15	14	13	12	11	10	9	8	7																																																																													
AVAILABLE	NOT APPLICABLE	34566-6863	0	A	BLACK	<table border="1"> <tr><td>72</td><td>71</td><td>70</td><td>69</td><td>68</td><td></td><td>66</td><td>65</td><td>64</td><td>63</td><td></td><td>61</td><td>60</td><td></td><td></td><td>57</td><td>56</td><td></td><td>54</td><td>53</td></tr> <tr><td>52</td><td>51</td><td>50</td><td>49</td><td>48</td><td></td><td>46</td><td>45</td><td>44</td><td>43</td><td>42</td><td></td><td>40</td><td>39</td><td>38</td><td>37</td><td>36</td><td></td><td>34</td><td>33</td></tr> <tr><td colspan="2"></td><td colspan="2">73</td><td colspan="2"></td><td>32</td><td>31</td><td>30</td><td>29</td><td>28</td><td></td><td>26</td><td>25</td><td></td><td>23</td><td>22</td><td>21</td><td>20</td><td></td></tr> <tr><td colspan="2"></td><td colspan="2"></td><td>15</td><td>14</td><td>13</td><td>12</td><td></td><td></td><td></td><td>9</td><td></td><td>7</td><td>6</td><td>5</td><td>4</td><td></td><td></td><td>2</td></tr> </table>	72	71	70	69	68		66	65	64	63		61	60			57	56		54	53	52	51	50	49	48		46	45	44	43	42		40	39	38	37	36		34	33			73				32	31	30	29	28		26	25		23	22	21	20						15	14	13	12				9		7	6	5	4			2				
72	71	70	69	68		66	65	64	63		61	60			57	56		54	53																																																																							
52	51	50	49	48		46	45	44	43	42		40	39	38	37	36		34	33																																																																							
		73				32	31	30	29	28		26	25		23	22	21	20																																																																								
				15	14	13	12				9		7	6	5	4			2																																																																							
AVAILABLE	NOT APPLICABLE	34566-6873	9	B	ST.GRAY	<table border="1"> <tr><td>72</td><td></td><td></td><td></td><td>68</td><td>67</td><td></td><td></td><td></td><td>63</td><td>62</td><td>61</td><td>60</td><td>59</td><td></td><td></td><td></td><td></td><td>55</td><td>53</td></tr> <tr><td>52</td><td></td><td></td><td></td><td>48</td><td>47</td><td>46</td><td></td><td>44</td><td>43</td><td></td><td>41</td><td>40</td><td></td><td></td><td>38</td><td>37</td><td>36</td><td>35</td><td></td></tr> <tr><td colspan="2"></td><td colspan="2">73</td><td colspan="2"></td><td></td><td></td><td>30</td><td></td><td>27</td><td></td><td></td><td></td><td></td><td></td><td></td><td>20</td><td>19</td><td>18</td><td>17</td></tr> <tr><td colspan="2"></td><td colspan="2"></td><td>16</td><td>15</td><td>14</td><td></td><td></td><td>11</td><td></td><td></td><td>8</td><td></td><td></td><td></td><td></td><td>4</td><td></td><td></td><td>1</td></tr> </table>	72				68	67				63	62	61	60	59					55	53	52				48	47	46		44	43		41	40			38	37	36	35				73						30		27							20	19	18	17					16	15	14			11			8					4			1		
72				68	67				63	62	61	60	59					55	53																																																																							
52				48	47	46		44	43		41	40			38	37	36	35																																																																								
		73						30		27							20	19	18	17																																																																						
				16	15	14			11			8					4			1																																																																						
AVAILABLE	NOT APPLICABLE	34566-6883	9	A	BLACK	<table border="1"> <tr><td>72</td><td></td><td>70</td><td></td><td></td><td>67</td><td></td><td></td><td></td><td>63</td><td></td><td></td><td>60</td><td>59</td><td>58</td><td>57</td><td>56</td><td>55</td><td></td><td></td></tr> <tr><td>52</td><td>51</td><td></td><td></td><td>48</td><td>47</td><td>46</td><td></td><td></td><td>43</td><td>42</td><td></td><td>40</td><td>39</td><td>38</td><td>37</td><td>36</td><td>35</td><td></td><td></td></tr> <tr><td colspan="2"></td><td colspan="2">73</td><td colspan="2"></td><td></td><td></td><td></td><td>28</td><td>27</td><td></td><td></td><td></td><td></td><td>22</td><td>21</td><td></td><td>18</td><td>17</td></tr> <tr><td colspan="2"></td><td colspan="2"></td><td></td><td></td><td></td><td></td><td>12</td><td>11</td><td></td><td>9</td><td></td><td>7</td><td></td><td>5</td><td></td><td></td><td>2</td><td>1</td></tr> </table>	72		70			67				63			60	59	58	57	56	55			52	51			48	47	46			43	42		40	39	38	37	36	35					73							28	27					22	21		18	17									12	11		9		7		5			2	1				
72		70			67				63			60	59	58	57	56	55																																																																									
52	51			48	47	46			43	42		40	39	38	37	36	35																																																																									
		73							28	27					22	21		18	17																																																																							
								12	11		9		7		5			2	1																																																																							
AVAILABLE	NOT APPLICABLE	34566-6893	0	B	ST.GRAY	<table border="1"> <tr><td>72</td><td>71</td><td>70</td><td>69</td><td>68</td><td>67</td><td>66</td><td>65</td><td>64</td><td>63</td><td>62</td><td>61</td><td>60</td><td>59</td><td></td><td>57</td><td>56</td><td>55</td><td></td><td></td></tr> <tr><td>52</td><td>51</td><td>50</td><td>49</td><td>48</td><td>47</td><td>46</td><td>45</td><td>44</td><td>43</td><td></td><td>41</td><td>40</td><td>39</td><td>38</td><td>37</td><td>36</td><td>35</td><td>34</td><td>33</td></tr> <tr><td colspan="2"></td><td colspan="2">73</td><td colspan="2"></td><td>32</td><td>31</td><td>30</td><td>29</td><td>28</td><td></td><td>26</td><td></td><td>24</td><td>23</td><td>22</td><td>21</td><td>20</td><td>19</td><td>18</td><td>17</td></tr> <tr><td colspan="2"></td><td colspan="2"></td><td>16</td><td>15</td><td>14</td><td>13</td><td>12</td><td>11</td><td></td><td>9</td><td>8</td><td>7</td><td>6</td><td>5</td><td>4</td><td>3</td><td>2</td><td>1</td><td></td><td></td></tr> </table>	72	71	70	69	68	67	66	65	64	63	62	61	60	59		57	56	55			52	51	50	49	48	47	46	45	44	43		41	40	39	38	37	36	35	34	33			73				32	31	30	29	28		26		24	23	22	21	20	19	18	17					16	15	14	13	12	11		9	8	7	6	5	4	3	2	1		
72	71	70	69	68	67	66	65	64	63	62	61	60	59		57	56	55																																																																									
52	51	50	49	48	47	46	45	44	43		41	40	39	38	37	36	35	34	33																																																																							
		73				32	31	30	29	28		26		24	23	22	21	20	19	18	17																																																																					
				16	15	14	13	12	11		9	8	7	6	5	4	3	2	1																																																																							
AVAILABLE	NOT APPLICABLE	34566-6913	9	A	BLACK	<table border="1"> <tr><td>72</td><td>71</td><td>70</td><td>69</td><td>68</td><td>67</td><td>66</td><td>65</td><td>64</td><td>63</td><td></td><td></td><td>60</td><td>59</td><td>58</td><td>57</td><td>56</td><td>55</td><td>54</td><td></td></tr> <tr><td>52</td><td>51</td><td>50</td><td>49</td><td>48</td><td>47</td><td>46</td><td>45</td><td>44</td><td>43</td><td>42</td><td></td><td>40</td><td>39</td><td>38</td><td>37</td><td>36</td><td>35</td><td>34</td><td></td></tr> <tr><td colspan="2"></td><td colspan="2">73</td><td colspan="2"></td><td>32</td><td>31</td><td>30</td><td>29</td><td>28</td><td>27</td><td>26</td><td>25</td><td></td><td>23</td><td>22</td><td>21</td><td>20</td><td></td><td>18</td><td>17</td></tr> <tr><td colspan="2"></td><td colspan="2"></td><td>16</td><td>15</td><td>14</td><td>13</td><td>12</td><td>11</td><td></td><td>9</td><td></td><td>7</td><td>6</td><td>5</td><td>4</td><td></td><td></td><td>2</td><td>1</td></tr> </table>	72	71	70	69	68	67	66	65	64	63			60	59	58	57	56	55	54		52	51	50	49	48	47	46	45	44	43	42		40	39	38	37	36	35	34				73				32	31	30	29	28	27	26	25		23	22	21	20		18	17					16	15	14	13	12	11		9		7	6	5	4			2	1	
72	71	70	69	68	67	66	65	64	63			60	59	58	57	56	55	54																																																																								
52	51	50	49	48	47	46	45	44	43	42		40	39	38	37	36	35	34																																																																								
		73				32	31	30	29	28	27	26	25		23	22	21	20		18	17																																																																					
				16	15	14	13	12	11		9		7	6	5	4			2	1																																																																						

QUALITY SYMBOLS ▽ = 0 ▽ = 0 ▽ = 0 ▽ = 0 ▽ = 0 ▽ = 0 ▽ = 0 ▽ = 0 ▽ = 0	THIS DRAWING CONTAINS INFORMATION THAT IS PROPRIETARY TO MOLEX ELECTRONIC TECHNOLOGIES, LLC AND SHOULD NOT BE USED WITHOUT WRITTEN PERMISSION									
	2017/03/27	2017/03/30	GENERAL TOLERANCES (UNLESS SPECIFIED)		DIMENSION UNITS	SCALE	 MX123 66/73/80CKT HRNS CONN ASSY PRODUCT CUSTOMER DRAWING			
	EC NO: 115012 DRWN: TYE CHKD: REV APPR: JDENG02	G49	ANGULAR TOL ± °		MM	1:1				
			4 PLACES ±	SKRAJENDRANA	2011/02/14					
			3 PLACES ±	CHKD BY	DATE					
			2 PLACES ±	MVANSLAMBROU	2011/02/14					
			1 PLACE ±	APPR BY	DATE					
	0 PLACES ±	DRAFT WHERE APPLICABLE MUST REMAIN WITHIN DIMENSIONS		DRAWING SIZE	THIRD ANGLE PROJECTION					
	SERIES		MATERIAL NUMBER		CUSTOMER					
	34566		SEE BOM TABLE		GENERAL MARKET					
DOCUMENT NUMBER		DOC TYPE		DOC PART		SHEET NUMBER				
SD-34566-001		PSD		000		75 OF 92				

STATUS	GM PART #	MATERIAL #	WIRE DRESS OPTION	KEY OPTION	COLOR (TPA)	NUMBERS INDICATE CAVITIES OPEN FOR CIRCUITS F _P																																																																																			
AVAILABLE	NOT APPLICABLE	34566-6923	9	C	BLUE	<table border="1"> <tr><td>72</td><td>71</td><td>70</td><td>69</td><td></td><td>67</td><td>66</td><td>65</td><td>64</td><td></td><td>61</td><td>60</td><td></td><td>58</td><td>57</td><td>56</td><td></td><td>54</td><td></td></tr> <tr><td>52</td><td>51</td><td>50</td><td>49</td><td>48</td><td>47</td><td>46</td><td>45</td><td>44</td><td></td><td>41</td><td></td><td>39</td><td>38</td><td>37</td><td></td><td></td><td>34</td><td>33</td></tr> <tr><td colspan="4">73</td><td>32</td><td>31</td><td>30</td><td>29</td><td>28</td><td>27</td><td>26</td><td>25</td><td>24</td><td>23</td><td>22</td><td>21</td><td></td><td>18</td><td>17</td></tr> <tr><td colspan="4"></td><td>16</td><td>15</td><td>14</td><td>13</td><td>12</td><td>11</td><td>10</td><td>9</td><td>8</td><td>7</td><td>6</td><td>5</td><td></td><td></td><td></td></tr> </table>	72	71	70	69		67	66	65	64		61	60		58	57	56		54		52	51	50	49	48	47	46	45	44		41		39	38	37			34	33	73				32	31	30	29	28	27	26	25	24	23	22	21		18	17					16	15	14	13	12	11	10	9	8	7	6	5										
72	71	70	69		67	66	65	64		61	60		58	57	56		54																																																																								
52	51	50	49	48	47	46	45	44		41		39	38	37			34	33																																																																							
73				32	31	30	29	28	27	26	25	24	23	22	21		18	17																																																																							
				16	15	14	13	12	11	10	9	8	7	6	5																																																																										
AVAILABLE	NOT APPLICABLE	34566-6933	9	B	ST.GRAY	<table border="1"> <tr><td>72</td><td></td><td></td><td></td><td>68</td><td>67</td><td></td><td></td><td></td><td></td><td>63</td><td>62</td><td>61</td><td>60</td><td>59</td><td></td><td></td><td>55</td><td></td><td>53</td></tr> <tr><td>52</td><td></td><td></td><td></td><td>48</td><td>47</td><td>46</td><td></td><td>44</td><td>43</td><td></td><td>41</td><td>40</td><td></td><td></td><td>38</td><td>37</td><td>36</td><td>35</td><td></td><td>17</td></tr> <tr><td colspan="4">73</td><td></td><td></td><td>30</td><td></td><td></td><td>27</td><td></td><td></td><td></td><td></td><td>22</td><td>21</td><td>20</td><td>19</td><td>18</td><td></td><td>1</td></tr> <tr><td colspan="4"></td><td>16</td><td>15</td><td>14</td><td></td><td></td><td>11</td><td></td><td></td><td>8</td><td></td><td>6</td><td></td><td>4</td><td></td><td></td><td></td><td></td></tr> </table>	72				68	67					63	62	61	60	59			55		53	52				48	47	46		44	43		41	40			38	37	36	35		17	73						30			27					22	21	20	19	18		1					16	15	14			11			8		6		4				
72				68	67					63	62	61	60	59			55		53																																																																						
52				48	47	46		44	43		41	40			38	37	36	35		17																																																																					
73						30			27					22	21	20	19	18		1																																																																					
				16	15	14			11			8		6		4																																																																									
AVAILABLE	NOT APPLICABLE	34566-6943	9	A	BLACK	<table border="1"> <tr><td>72</td><td>71</td><td>70</td><td>69</td><td>68</td><td></td><td>66</td><td>65</td><td>64</td><td>63</td><td></td><td>61</td><td>60</td><td></td><td></td><td>57</td><td>56</td><td></td><td>54</td><td>53</td></tr> <tr><td>52</td><td>51</td><td>50</td><td>49</td><td>48</td><td></td><td>46</td><td>45</td><td>44</td><td>43</td><td>42</td><td>41</td><td>40</td><td></td><td>39</td><td>38</td><td>37</td><td>36</td><td></td><td>34</td><td>33</td></tr> <tr><td colspan="4">73</td><td>32</td><td>31</td><td>30</td><td>29</td><td>28</td><td></td><td></td><td></td><td></td><td></td><td>23</td><td>22</td><td>21</td><td></td><td></td><td></td><td>1</td></tr> <tr><td colspan="4"></td><td></td><td>15</td><td>14</td><td>13</td><td>12</td><td></td><td></td><td></td><td></td><td>7</td><td>6</td><td>5</td><td></td><td></td><td></td><td>2</td><td></td></tr> </table>	72	71	70	69	68		66	65	64	63		61	60			57	56		54	53	52	51	50	49	48		46	45	44	43	42	41	40		39	38	37	36		34	33	73				32	31	30	29	28						23	22	21				1						15	14	13	12					7	6	5				2	
72	71	70	69	68		66	65	64	63		61	60			57	56		54	53																																																																						
52	51	50	49	48		46	45	44	43	42	41	40		39	38	37	36		34	33																																																																					
73				32	31	30	29	28						23	22	21				1																																																																					
					15	14	13	12					7	6	5				2																																																																						
AVAILABLE	NOT APPLICABLE	34566-6953	0	A	BLACK	<table border="1"> <tr><td>72</td><td>71</td><td>70</td><td>69</td><td></td><td></td><td>66</td><td></td><td>64</td><td>63</td><td></td><td>61</td><td>60</td><td></td><td></td><td>57</td><td>56</td><td></td><td>54</td><td>53</td></tr> <tr><td>52</td><td>51</td><td>50</td><td>49</td><td></td><td></td><td>46</td><td>45</td><td>44</td><td>43</td><td></td><td>40</td><td>39</td><td>38</td><td>37</td><td>36</td><td></td><td></td><td>34</td><td>33</td></tr> <tr><td colspan="4">73</td><td>32</td><td>31</td><td>30</td><td>29</td><td>28</td><td></td><td>26</td><td>25</td><td></td><td>23</td><td>22</td><td>21</td><td>20</td><td></td><td></td><td></td><td>1</td></tr> <tr><td colspan="4"></td><td>16</td><td>15</td><td>14</td><td>13</td><td>12</td><td></td><td></td><td>9</td><td></td><td>7</td><td>6</td><td>5</td><td>4</td><td></td><td></td><td>2</td><td></td></tr> </table>	72	71	70	69			66		64	63		61	60			57	56		54	53	52	51	50	49			46	45	44	43		40	39	38	37	36			34	33	73				32	31	30	29	28		26	25		23	22	21	20				1					16	15	14	13	12			9		7	6	5	4			2		
72	71	70	69			66		64	63		61	60			57	56		54	53																																																																						
52	51	50	49			46	45	44	43		40	39	38	37	36			34	33																																																																						
73				32	31	30	29	28		26	25		23	22	21	20				1																																																																					
				16	15	14	13	12			9		7	6	5	4			2																																																																						
AVAILABLE	NOT APPLICABLE	34566-6963	0	B	ST.GRAY	<table border="1"> <tr><td>72</td><td></td><td>70</td><td></td><td>68</td><td>67</td><td></td><td></td><td></td><td></td><td>62</td><td>61</td><td></td><td></td><td></td><td></td><td></td><td>55</td><td></td><td></td></tr> <tr><td>52</td><td></td><td></td><td></td><td>48</td><td>47</td><td>46</td><td></td><td></td><td>43</td><td></td><td>40</td><td></td><td></td><td></td><td></td><td></td><td></td><td>20</td><td>19</td><td>18</td></tr> <tr><td colspan="4">73</td><td></td><td></td><td>30</td><td></td><td></td><td></td><td></td><td></td><td></td><td></td><td></td><td></td><td></td><td>4</td><td></td><td></td><td>2</td></tr> <tr><td colspan="4"></td><td>16</td><td>15</td><td>14</td><td></td><td></td><td></td><td></td><td>8</td><td></td><td></td><td></td><td></td><td></td><td></td><td></td><td></td><td></td></tr> </table>	72		70		68	67					62	61						55			52				48	47	46			43		40							20	19	18	73						30											4			2					16	15	14					8									
72		70		68	67					62	61						55																																																																								
52				48	47	46			43		40							20	19	18																																																																					
73						30											4			2																																																																					
				16	15	14					8																																																																														
AVAILABLE	NOT APPLICABLE	34566-6973	0	C	BLUE	<table border="1"> <tr><td></td><td>71</td><td>70</td><td>69</td><td></td><td>67</td><td></td><td>65</td><td>64</td><td></td><td>62</td><td>61</td><td>60</td><td></td><td></td><td>57</td><td></td><td>55</td><td>54</td><td></td></tr> <tr><td>52</td><td>51</td><td>50</td><td>49</td><td>48</td><td>47</td><td>46</td><td>45</td><td>44</td><td></td><td>42</td><td>41</td><td></td><td></td><td></td><td>37</td><td></td><td>35</td><td>34</td><td>33</td></tr> <tr><td colspan="4">73</td><td>32</td><td></td><td></td><td></td><td>28</td><td>27</td><td>26</td><td>25</td><td></td><td></td><td></td><td></td><td></td><td></td><td>19</td><td>18</td><td>17</td></tr> <tr><td colspan="4"></td><td>16</td><td>15</td><td>14</td><td>13</td><td>12</td><td>11</td><td>10</td><td>9</td><td>8</td><td>7</td><td></td><td></td><td></td><td></td><td></td><td></td><td></td></tr> </table>		71	70	69		67		65	64		62	61	60			57		55	54		52	51	50	49	48	47	46	45	44		42	41				37		35	34	33	73				32				28	27	26	25							19	18	17					16	15	14	13	12	11	10	9	8	7								
	71	70	69		67		65	64		62	61	60			57		55	54																																																																							
52	51	50	49	48	47	46	45	44		42	41				37		35	34	33																																																																						
73				32				28	27	26	25							19	18	17																																																																					
				16	15	14	13	12	11	10	9	8	7																																																																												
AVAILABLE	NOT APPLICABLE	34566-6983	0	C	BLUE	<table border="1"> <tr><td></td><td>71</td><td></td><td>69</td><td></td><td>67</td><td></td><td>65</td><td>64</td><td></td><td>62</td><td></td><td>60</td><td></td><td></td><td>57</td><td></td><td></td><td>54</td><td></td></tr> <tr><td>52</td><td>51</td><td>50</td><td></td><td>48</td><td>47</td><td>46</td><td>45</td><td>44</td><td></td><td>42</td><td></td><td></td><td></td><td></td><td>37</td><td></td><td></td><td>34</td><td>33</td></tr> <tr><td colspan="4">73</td><td></td><td></td><td></td><td></td><td>28</td><td>27</td><td>26</td><td></td><td></td><td></td><td></td><td></td><td></td><td></td><td></td><td>18</td><td></td></tr> <tr><td colspan="4"></td><td>16</td><td>15</td><td>14</td><td>13</td><td>12</td><td>11</td><td>10</td><td>9</td><td>8</td><td>7</td><td></td><td></td><td></td><td></td><td></td><td></td><td></td></tr> </table>		71		69		67		65	64		62		60			57			54		52	51	50		48	47	46	45	44		42					37			34	33	73								28	27	26									18						16	15	14	13	12	11	10	9	8	7								
	71		69		67		65	64		62		60			57			54																																																																							
52	51	50		48	47	46	45	44		42					37			34	33																																																																						
73								28	27	26									18																																																																						
				16	15	14	13	12	11	10	9	8	7																																																																												
AVAILABLE	NOT APPLICABLE	34566-6993	0	G	BLUE	<table border="1"> <tr><td></td><td></td><td>78</td><td>77</td><td>76</td><td></td><td></td><td></td><td></td><td></td><td></td><td></td><td></td><td>67</td><td>66</td><td>65</td><td></td><td></td><td></td><td></td></tr> <tr><td>40</td><td>39</td><td>38</td><td>37</td><td>36</td><td>35</td><td>34</td><td>33</td><td>32</td><td></td><td>29</td><td>28</td><td></td><td></td><td></td><td>25</td><td></td><td></td><td></td><td>21</td></tr> <tr><td>20</td><td>19</td><td>18</td><td>17</td><td>16</td><td>15</td><td>14</td><td>13</td><td>12</td><td></td><td></td><td></td><td></td><td></td><td></td><td></td><td></td><td>3</td><td></td><td>1</td></tr> </table>			78	77	76									67	66	65					40	39	38	37	36	35	34	33	32		29	28				25				21	20	19	18	17	16	15	14	13	12									3		1																							
		78	77	76									67	66	65																																																																										
40	39	38	37	36	35	34	33	32		29	28				25				21																																																																						
20	19	18	17	16	15	14	13	12									3		1																																																																						
AVAILABLE	NOT APPLICABLE	34566-7013	9	A	BLACK	<table border="1"> <tr><td></td><td>71</td><td>70</td><td>69</td><td></td><td></td><td></td><td></td><td>64</td><td>63</td><td>62</td><td>61</td><td>60</td><td>59</td><td>58</td><td>57</td><td>56</td><td>55</td><td>54</td><td>53</td></tr> <tr><td>52</td><td>51</td><td>50</td><td>49</td><td></td><td></td><td></td><td>45</td><td>44</td><td>43</td><td>42</td><td>41</td><td>39</td><td></td><td></td><td>37</td><td>36</td><td></td><td>34</td><td></td></tr> <tr><td colspan="4">73</td><td>32</td><td></td><td></td><td>29</td><td>28</td><td>27</td><td>26</td><td></td><td></td><td></td><td></td><td></td><td></td><td></td><td>19</td><td>18</td><td></td></tr> <tr><td colspan="4"></td><td>16</td><td>15</td><td>14</td><td>13</td><td>12</td><td>11</td><td>10</td><td></td><td></td><td></td><td></td><td></td><td></td><td></td><td>3</td><td></td><td></td></tr> </table>		71	70	69					64	63	62	61	60	59	58	57	56	55	54	53	52	51	50	49				45	44	43	42	41	39			37	36		34		73				32			29	28	27	26								19	18						16	15	14	13	12	11	10								3			
	71	70	69					64	63	62	61	60	59	58	57	56	55	54	53																																																																						
52	51	50	49				45	44	43	42	41	39			37	36		34																																																																							
73				32			29	28	27	26								19	18																																																																						
				16	15	14	13	12	11	10								3																																																																							

QUALITY SYMBOLS = 0 = 0 = 0 = 0 = 0 = 0 = 0 = 0 = 0 = 0 = 0	THIS DRAWING CONTAINS INFORMATION THAT IS PROPRIETARY TO MOLEX ELECTRONIC TECHNOLOGIES, LLC AND SHOULD NOT BE USED WITHOUT WRITTEN PERMISSION									
	2017/03/27	2017/03/30	GENERAL TOLERANCES (UNLESS SPECIFIED)		DIMENSION UNITS	SCALE				
	EC NO: 115012	DRWN: TYE	CHKD: JDENG02	REV: APPR: JDENG02	MM	1:1				
	ANGULAR TOL ± °				DRWN BY	DATE				
	4 PLACES ±				SKRAJENDRANA	2011/02/14				
	3 PLACES ±				CHKD BY	DATE				
	2 PLACES ±				MVANSLAMBROU	2011/02/14				
	1 PLACE ±				APPR BY	DATE				
	0 PLACES ±									
	DRAFT WHERE APPLICABLE MUST REMAIN WITHIN DIMENSIONS				DRAWING SIZE	THIRD ANGLE PROJECTION				
				D						
SERIES			MATERIAL NUMBER			CUSTOMER				
34566			SEE BOM TABLE			GENERAL MARKET				
DOCUMENT NUMBER			DOC TYPE			DOC PART			SHEET NUMBER	
SD-34566-001			PSD			000			76 OF 92	

STATUS	GM PART #	MATERIAL #	WIRE DRESS OPTION	KEY OPTION	COLOR (TPA)	NUMBERS INDICATE CAVITIES OPEN FOR CIRCUITS F _P																																																																																					
AVAILABLE	NOT APPLICABLE	34566-7023	0	A	BLACK	<table border="1"> <tr><td>72</td><td>71</td><td>70</td><td>69</td><td>68</td><td></td><td>66</td><td>65</td><td>64</td><td></td><td>61</td><td>60</td><td></td><td>57</td><td>56</td><td>54</td><td>53</td></tr> <tr><td>52</td><td>51</td><td>50</td><td>49</td><td>48</td><td></td><td>46</td><td>45</td><td>44</td><td>43</td><td></td><td>40</td><td>39</td><td>38</td><td>37</td><td>36</td><td>34</td><td>33</td></tr> <tr><td colspan="4">73</td><td></td><td>31</td><td>30</td><td>29</td><td>28</td><td></td><td>26</td><td>25</td><td>23</td><td>22</td><td>21</td><td>20</td><td></td><td></td></tr> <tr><td colspan="4"></td><td>15</td><td>14</td><td>13</td><td>12</td><td></td><td></td><td>9</td><td>7</td><td>6</td><td>5</td><td>4</td><td></td><td>2</td><td></td></tr> </table>	72	71	70	69	68		66	65	64		61	60		57	56	54	53	52	51	50	49	48		46	45	44	43		40	39	38	37	36	34	33	73					31	30	29	28		26	25	23	22	21	20							15	14	13	12			9	7	6	5	4		2															
72	71	70	69	68		66	65	64		61	60		57	56	54	53																																																																											
52	51	50	49	48		46	45	44	43		40	39	38	37	36	34	33																																																																										
73					31	30	29	28		26	25	23	22	21	20																																																																												
				15	14	13	12			9	7	6	5	4		2																																																																											
AVAILABLE	NOT APPLICABLE	34566-7033	0	A	BLACK	<table border="1"> <tr><td></td><td></td><td>70</td><td>69</td><td></td><td></td><td>65</td><td></td><td>63</td><td>62</td><td>61</td><td>60</td><td></td><td>58</td><td>57</td><td>56</td><td>55</td><td>54</td><td>53</td></tr> <tr><td>52</td><td>51</td><td></td><td>49</td><td></td><td></td><td>44</td><td>43</td><td>42</td><td>41</td><td></td><td></td><td></td><td>37</td><td>36</td><td></td><td>34</td><td></td><td></td></tr> <tr><td colspan="3">73</td><td></td><td>32</td><td></td><td>29</td><td>28</td><td>27</td><td>26</td><td></td><td></td><td></td><td>21</td><td></td><td>19</td><td>18</td><td></td><td></td></tr> <tr><td colspan="3"></td><td>16</td><td>15</td><td></td><td>13</td><td>12</td><td>11</td><td>10</td><td></td><td>8</td><td></td><td>5</td><td></td><td>3</td><td></td><td></td><td></td></tr> </table>			70	69			65		63	62	61	60		58	57	56	55	54	53	52	51		49			44	43	42	41				37	36		34			73				32		29	28	27	26				21		19	18						16	15		13	12	11	10		8		5		3												
		70	69			65		63	62	61	60		58	57	56	55	54	53																																																																									
52	51		49			44	43	42	41				37	36		34																																																																											
73				32		29	28	27	26				21		19	18																																																																											
			16	15		13	12	11	10		8		5		3																																																																												
AVAILABLE	NOT APPLICABLE	34566-7043	0	B	ST.GRAY	<table border="1"> <tr><td>72</td><td></td><td></td><td></td><td>68</td><td>67</td><td></td><td></td><td></td><td>63</td><td>62</td><td>61</td><td>60</td><td>59</td><td></td><td></td><td></td><td>55</td><td></td><td></td></tr> <tr><td>52</td><td></td><td></td><td></td><td></td><td></td><td>46</td><td></td><td></td><td>43</td><td></td><td>41</td><td>40</td><td></td><td></td><td></td><td></td><td>20</td><td>19</td><td>18</td></tr> <tr><td colspan="4">73</td><td></td><td>16</td><td></td><td>14</td><td></td><td></td><td>11</td><td></td><td></td><td>8</td><td></td><td></td><td>4</td><td></td><td></td><td></td></tr> </table>	72				68	67				63	62	61	60	59				55			52						46			43		41	40					20	19	18	73					16		14			11			8			4																												
72				68	67				63	62	61	60	59				55																																																																										
52						46			43		41	40					20	19	18																																																																								
73					16		14			11			8			4																																																																											
AVAILABLE	NOT APPLICABLE	34566-7053	0	C	BLUE	<table border="1"> <tr><td></td><td>71</td><td></td><td>69</td><td></td><td>67</td><td></td><td>65</td><td>64</td><td></td><td>62</td><td>61</td><td>60</td><td></td><td></td><td>57</td><td></td><td>54</td><td></td><td></td></tr> <tr><td>52</td><td>51</td><td>50</td><td>49</td><td>48</td><td>47</td><td>46</td><td>45</td><td>44</td><td></td><td>42</td><td>41</td><td></td><td></td><td>37</td><td></td><td></td><td>34</td><td>33</td><td></td></tr> <tr><td colspan="3">73</td><td></td><td>16</td><td>15</td><td>14</td><td>13</td><td>12</td><td>11</td><td>10</td><td>9</td><td>8</td><td>7</td><td></td><td></td><td></td><td></td><td></td><td></td></tr> </table>		71		69		67		65	64		62	61	60			57		54			52	51	50	49	48	47	46	45	44		42	41			37			34	33		73				16	15	14	13	12	11	10	9	8	7																															
	71		69		67		65	64		62	61	60			57		54																																																																										
52	51	50	49	48	47	46	45	44		42	41			37			34	33																																																																									
73				16	15	14	13	12	11	10	9	8	7																																																																														
AVAILABLE	NOT APPLICABLE	34566-7063	0	C	BLUE	<table border="1"> <tr><td>72</td><td></td><td>70</td><td></td><td>68</td><td>67</td><td>66</td><td></td><td></td><td>63</td><td>62</td><td></td><td></td><td>59</td><td></td><td>57</td><td></td><td></td><td></td><td>53</td></tr> <tr><td>52</td><td>51</td><td></td><td></td><td>48</td><td>47</td><td>46</td><td></td><td>44</td><td></td><td></td><td></td><td>40</td><td>39</td><td></td><td></td><td></td><td></td><td>34</td><td>33</td></tr> <tr><td colspan="3">73</td><td></td><td>32</td><td></td><td>30</td><td></td><td></td><td></td><td>26</td><td>25</td><td></td><td></td><td>22</td><td>21</td><td></td><td></td><td></td><td></td></tr> <tr><td colspan="3"></td><td></td><td>15</td><td>14</td><td>13</td><td></td><td></td><td>10</td><td>9</td><td></td><td></td><td>6</td><td>5</td><td>4</td><td></td><td></td><td></td><td></td></tr> </table>	72		70		68	67	66			63	62			59		57				53	52	51			48	47	46		44				40	39					34	33	73				32		30				26	25			22	21									15	14	13			10	9			6	5	4									
72		70		68	67	66			63	62			59		57				53																																																																								
52	51			48	47	46		44				40	39					34	33																																																																								
73				32		30				26	25			22	21																																																																												
				15	14	13			10	9			6	5	4																																																																												
AVAILABLE	NOT APPLICABLE	34566-7073	9	F	NATURAL	<table border="1"> <tr><td></td><td></td><td></td><td>69</td><td>68</td><td></td><td></td><td></td><td></td><td></td><td></td><td></td><td></td><td>58</td><td>57</td><td></td><td></td><td></td><td></td><td></td></tr> <tr><td colspan="4">73</td><td></td><td></td><td></td><td></td><td></td><td>43</td><td>42</td><td></td><td></td><td></td><td>38</td><td>37</td><td></td><td></td><td></td><td>33</td></tr> <tr><td colspan="4"></td><td></td><td></td><td>30</td><td></td><td></td><td></td><td></td><td></td><td></td><td></td><td></td><td></td><td></td><td>19</td><td>18</td><td>17</td></tr> <tr><td colspan="4"></td><td></td><td></td><td></td><td></td><td></td><td></td><td></td><td></td><td></td><td></td><td></td><td></td><td></td><td>3</td><td>2</td><td>1</td></tr> </table>				69	68									58	57						73									43	42				38	37				33							30											19	18	17																		3	2	1					
			69	68									58	57																																																																													
73									43	42				38	37				33																																																																								
						30											19	18	17																																																																								
																	3	2	1																																																																								
AVAILABLE	NOT APPLICABLE	34566-7083	9	B	ST.GRAY	<table border="1"> <tr><td></td><td></td><td></td><td></td><td></td><td></td><td></td><td></td><td></td><td></td><td></td><td></td><td></td><td></td><td></td><td></td><td></td><td></td><td></td><td></td></tr> <tr><td colspan="3">73</td><td></td><td></td><td></td><td></td><td></td><td></td><td></td><td></td><td></td><td></td><td></td><td></td><td></td><td></td><td></td><td></td><td></td></tr> <tr><td colspan="3"></td><td>16</td><td>15</td><td>14</td><td>13</td><td>12</td><td>11</td><td>10</td><td></td><td>8</td><td>7</td><td></td><td></td><td></td><td></td><td>3</td><td>2</td><td>1</td></tr> </table>																					73																							16	15	14	13	12	11	10		8	7					3	2	1																									
73																																																																																											
			16	15	14	13	12	11	10		8	7					3	2	1																																																																								
AVAILABLE	NOT APPLICABLE	34566-7093	9	B	ST.GRAY	<table border="1"> <tr><td>72</td><td>71</td><td>70</td><td>69</td><td>68</td><td>67</td><td>66</td><td>65</td><td>64</td><td>63</td><td></td><td></td><td></td><td>59</td><td></td><td></td><td></td><td></td><td></td><td>53</td></tr> <tr><td>52</td><td>51</td><td>50</td><td>49</td><td>48</td><td>47</td><td>46</td><td>45</td><td>44</td><td>43</td><td></td><td></td><td></td><td>39</td><td></td><td></td><td></td><td></td><td></td><td>34</td><td>33</td></tr> <tr><td colspan="3">73</td><td></td><td>32</td><td>31</td><td>30</td><td>29</td><td>28</td><td>27</td><td>26</td><td>25</td><td>24</td><td>23</td><td></td><td></td><td></td><td></td><td></td><td>17</td><td></td></tr> <tr><td colspan="3"></td><td></td><td>16</td><td>15</td><td>14</td><td>13</td><td>12</td><td>11</td><td>10</td><td></td><td>8</td><td>7</td><td></td><td></td><td></td><td></td><td></td><td>3</td><td>2</td><td>1</td></tr> </table>	72	71	70	69	68	67	66	65	64	63				59						53	52	51	50	49	48	47	46	45	44	43				39						34	33	73				32	31	30	29	28	27	26	25	24	23						17						16	15	14	13	12	11	10		8	7						3	2	1	
72	71	70	69	68	67	66	65	64	63				59						53																																																																								
52	51	50	49	48	47	46	45	44	43				39						34	33																																																																							
73				32	31	30	29	28	27	26	25	24	23						17																																																																								
				16	15	14	13	12	11	10		8	7						3	2	1																																																																						
AVAILABLE	NOT APPLICABLE	34566-7113	9	G	BLUE	<table border="1"> <tr><td>80</td><td>79</td><td>78</td><td></td><td>76</td><td></td><td></td><td></td><td></td><td>71</td><td></td><td></td><td></td><td>67</td><td></td><td></td><td></td><td></td><td></td><td></td><td></td></tr> <tr><td>60</td><td>59</td><td>58</td><td>57</td><td></td><td></td><td>54</td><td></td><td></td><td>51</td><td>50</td><td>49</td><td>48</td><td>47</td><td></td><td></td><td>44</td><td></td><td></td><td></td><td>41</td></tr> <tr><td>40</td><td>39</td><td></td><td>37</td><td></td><td></td><td>33</td><td>32</td><td></td><td>30</td><td>29</td><td>28</td><td>27</td><td></td><td></td><td>25</td><td>24</td><td></td><td></td><td></td><td></td></tr> <tr><td colspan="2">20</td><td>19</td><td>18</td><td></td><td></td><td></td><td></td><td>12</td><td>11</td><td></td><td>9</td><td>8</td><td></td><td></td><td>5</td><td></td><td></td><td>3</td><td>2</td><td></td><td></td></tr> </table>	80	79	78		76					71				67								60	59	58	57			54			51	50	49	48	47			44				41	40	39		37			33	32		30	29	28	27			25	24					20		19	18					12	11		9	8			5			3	2		
80	79	78		76					71				67																																																																														
60	59	58	57			54			51	50	49	48	47			44				41																																																																							
40	39		37			33	32		30	29	28	27			25	24																																																																											
20		19	18					12	11		9	8			5			3	2																																																																								

QUALITY SYMBOLS = 0 = 0 = 0 = 0 = 0 = 0 = 0 = 0 = 0	THIS DRAWING CONTAINS INFORMATION THAT IS PROPRIETARY TO MOLEX ELECTRONIC TECHNOLOGIES, LLC AND SHOULD NOT BE USED WITHOUT WRITTEN PERMISSION											
	2017/03/27	2017/03/30	GENERAL TOLERANCES (UNLESS SPECIFIED)		DIMENSION UNITS	SCALE						
	EC NO: 115012 DRWN: TYE CHKD: REV APPR: JDENG02	G49	ANGULAR TOL ± °		MM	1:1						
			4 PLACES ±	DRWN BY	DATE							
			3 PLACES ±	SKRAJENDRANA	2011/02/14							
			2 PLACES ±	CHKD BY	DATE							
			1 PLACE ±	MVANSLAMBROU	2011/02/14							
	0 PLACES ±	APPR BY	DATE									
	DRAFT WHERE APPLICABLE MUST REMAIN WITHIN DIMENSIONS		DRAWING SIZE	THIRD ANGLE PROJECTION	SERIES: 34566 MATERIAL NUMBER: SEE BOM TABLE CUSTOMER: GENERAL MARKET							
			D		DOCUMENT NUMBER: SD-34566-001 DOC TYPE: PSD DOC PART: 000 SHEET NUMBER: 77 OF 92							

STATUS	GM PART #	MATERIAL #	WIRE DRESS OPTION	KEY OPTION	COLOR (TPA)	NUMBERS INDICATE CAVITIES OPEN FOR CIRCUITS F _P																																																																																			
AVAILABLE	NOT APPLICABLE	34566-7223	0	C	BLUE	<table border="1"> <tr><td>72</td><td></td><td>70</td><td></td><td>68</td><td></td><td>66</td><td></td><td></td><td>63</td><td>62</td><td></td><td></td><td>59</td><td></td><td>57</td><td></td><td></td><td></td><td>53</td></tr> <tr><td>52</td><td>51</td><td></td><td></td><td>48</td><td>47</td><td>46</td><td></td><td>44</td><td></td><td>42</td><td></td><td>40</td><td>39</td><td></td><td>37</td><td>36</td><td></td><td>34</td><td>33</td></tr> <tr><td colspan="2">73</td><td></td><td></td><td>32</td><td></td><td>30</td><td></td><td></td><td></td><td>26</td><td>25</td><td>24</td><td></td><td>22</td><td>21</td><td>20</td><td></td><td></td><td></td></tr> <tr><td colspan="2"></td><td></td><td></td><td>15</td><td>14</td><td>13</td><td></td><td></td><td></td><td>10</td><td>9</td><td>8</td><td></td><td>6</td><td>5</td><td>4</td><td></td><td></td><td>2</td></tr> </table>	72		70		68		66			63	62			59		57				53	52	51			48	47	46		44		42		40	39		37	36		34	33	73				32		30				26	25	24		22	21	20								15	14	13				10	9	8		6	5	4			2			
72		70		68		66			63	62			59		57				53																																																																						
52	51			48	47	46		44		42		40	39		37	36		34	33																																																																						
73				32		30				26	25	24		22	21	20																																																																									
				15	14	13				10	9	8		6	5	4			2																																																																						
AVAILABLE	NOT APPLICABLE	34566-7233	9	A	BLACK	<table border="1"> <tr><td>72</td><td></td><td></td><td></td><td></td><td></td><td></td><td></td><td></td><td>62</td><td>61</td><td></td><td></td><td></td><td></td><td>57</td><td>56</td><td>55</td><td>54</td><td></td></tr> <tr><td>52</td><td>51</td><td></td><td></td><td></td><td></td><td>46</td><td>45</td><td></td><td>43</td><td></td><td></td><td>40</td><td></td><td></td><td>37</td><td></td><td>35</td><td>34</td><td></td></tr> <tr><td colspan="2">73</td><td></td><td></td><td>32</td><td></td><td>30</td><td>29</td><td></td><td></td><td></td><td>25</td><td></td><td></td><td></td><td></td><td>20</td><td></td><td></td><td></td></tr> <tr><td colspan="2"></td><td></td><td></td><td>16</td><td>15</td><td></td><td>13</td><td></td><td>11</td><td>10</td><td>9</td><td></td><td></td><td></td><td>4</td><td></td><td></td><td></td><td></td></tr> </table>	72									62	61					57	56	55	54		52	51					46	45		43			40			37		35	34		73				32		30	29				25					20								16	15		13		11	10	9				4							
72									62	61					57	56	55	54																																																																							
52	51					46	45		43			40			37		35	34																																																																							
73				32		30	29				25					20																																																																									
				16	15		13		11	10	9				4																																																																										
AVAILABLE	NOT APPLICABLE	34566-7243	9	A	BLACK	<table border="1"> <tr><td>72</td><td></td><td></td><td></td><td></td><td></td><td></td><td></td><td></td><td>62</td><td>61</td><td></td><td></td><td></td><td>58</td><td>57</td><td>56</td><td>55</td><td>54</td><td></td></tr> <tr><td>52</td><td>51</td><td></td><td></td><td>48</td><td></td><td>46</td><td>45</td><td></td><td>43</td><td></td><td>41</td><td>40</td><td></td><td></td><td>37</td><td></td><td>35</td><td>34</td><td></td></tr> <tr><td colspan="2">73</td><td></td><td></td><td>32</td><td></td><td>30</td><td>29</td><td></td><td></td><td></td><td>25</td><td></td><td></td><td></td><td></td><td>20</td><td></td><td></td><td></td></tr> <tr><td colspan="2"></td><td></td><td></td><td>16</td><td>15</td><td></td><td>13</td><td></td><td>11</td><td>10</td><td>9</td><td></td><td></td><td></td><td>4</td><td>3</td><td></td><td></td><td></td></tr> </table>	72									62	61				58	57	56	55	54		52	51			48		46	45		43		41	40			37		35	34		73				32		30	29				25					20								16	15		13		11	10	9				4	3						
72									62	61				58	57	56	55	54																																																																							
52	51			48		46	45		43		41	40			37		35	34																																																																							
73				32		30	29				25					20																																																																									
				16	15		13		11	10	9				4	3																																																																									
AVAILABLE	NOT APPLICABLE	34822-0073	0	A	BLACK	<table border="1"> <tr><td></td><td>63</td><td>62</td><td>61</td><td>60</td><td>59</td><td></td><td></td><td></td><td></td><td>54</td><td>53</td><td>51</td><td></td><td>49</td><td></td><td></td><td></td><td></td><td>66</td></tr> <tr><td></td><td>47</td><td></td><td></td><td></td><td></td><td></td><td></td><td></td><td></td><td>38</td><td>37</td><td>35</td><td></td><td>33</td><td></td><td></td><td></td><td></td><td></td></tr> <tr><td colspan="2">65</td><td></td><td></td><td></td><td></td><td></td><td></td><td>28</td><td></td><td></td><td>25</td><td></td><td></td><td>22</td><td>21</td><td>20</td><td>19</td><td>18</td><td>17</td></tr> <tr><td colspan="2"></td><td></td><td></td><td>15</td><td>14</td><td>13</td><td></td><td></td><td></td><td></td><td>8</td><td>7</td><td></td><td></td><td></td><td></td><td>3</td><td>2</td><td>1</td></tr> </table>		63	62	61	60	59					54	53	51		49					66		47									38	37	35		33						65								28			25			22	21	20	19	18	17					15	14	13					8	7					3	2	1			
	63	62	61	60	59					54	53	51		49					66																																																																						
	47									38	37	35		33																																																																											
65								28			25			22	21	20	19	18	17																																																																						
				15	14	13					8	7					3	2	1																																																																						
AVAILABLE	NOT APPLICABLE	34822-0083	9	A	BLACK	<table border="1"> <tr><td></td><td>63</td><td>62</td><td>61</td><td>60</td><td>59</td><td></td><td></td><td></td><td></td><td>54</td><td>53</td><td>51</td><td></td><td>49</td><td></td><td></td><td></td><td></td><td>66</td></tr> <tr><td></td><td>47</td><td></td><td></td><td></td><td></td><td></td><td></td><td></td><td></td><td>39</td><td>38</td><td>37</td><td>35</td><td>33</td><td></td><td></td><td></td><td></td><td></td></tr> <tr><td colspan="2">65</td><td></td><td></td><td></td><td></td><td></td><td></td><td>28</td><td></td><td></td><td>25</td><td></td><td></td><td>22</td><td>21</td><td>20</td><td>19</td><td>18</td><td>17</td></tr> <tr><td colspan="2"></td><td></td><td></td><td>15</td><td>14</td><td>13</td><td></td><td></td><td></td><td></td><td>8</td><td>7</td><td></td><td></td><td></td><td></td><td></td><td>3</td><td>2</td><td>1</td></tr> </table>		63	62	61	60	59					54	53	51		49					66		47									39	38	37	35	33						65								28			25			22	21	20	19	18	17					15	14	13					8	7						3	2	1		
	63	62	61	60	59					54	53	51		49					66																																																																						
	47									39	38	37	35	33																																																																											
65								28			25			22	21	20	19	18	17																																																																						
				15	14	13					8	7						3	2	1																																																																					
AVAILABLE	NOT APPLICABLE	34566-7253	0	B	ST.GRAY	<table border="1"> <tr><td>72</td><td></td><td></td><td></td><td></td><td></td><td></td><td></td><td></td><td>62</td><td>61</td><td></td><td></td><td></td><td></td><td></td><td></td><td></td><td></td><td></td></tr> <tr><td>52</td><td></td><td></td><td></td><td>48</td><td>47</td><td>46</td><td></td><td>44</td><td>43</td><td></td><td>41</td><td>40</td><td></td><td></td><td></td><td></td><td></td><td>20</td><td>19</td><td>18</td></tr> <tr><td colspan="2">73</td><td></td><td></td><td></td><td></td><td>30</td><td></td><td></td><td></td><td></td><td></td><td></td><td></td><td></td><td></td><td></td><td></td><td>4</td><td></td><td></td></tr> <tr><td colspan="2"></td><td></td><td></td><td>16</td><td></td><td>14</td><td></td><td></td><td></td><td></td><td></td><td></td><td></td><td></td><td></td><td></td><td></td><td></td><td></td><td></td></tr> </table>	72									62	61										52				48	47	46		44	43		41	40						20	19	18	73						30												4							16		14														
72									62	61																																																																															
52				48	47	46		44	43		41	40						20	19	18																																																																					
73						30												4																																																																							
				16		14																																																																																			
AVAILABLE	NOT APPLICABLE	34566-7263	0	C	BLUE	<table border="1"> <tr><td></td><td></td><td></td><td>69</td><td></td><td>67</td><td>66</td><td></td><td>64</td><td></td><td>62</td><td>60</td><td></td><td></td><td>57</td><td></td><td></td><td></td><td></td><td>54</td></tr> <tr><td>52</td><td>51</td><td>50</td><td></td><td>48</td><td></td><td>46</td><td>45</td><td>44</td><td></td><td>42</td><td></td><td></td><td></td><td>37</td><td></td><td></td><td></td><td>34</td><td>33</td></tr> <tr><td colspan="2">73</td><td></td><td></td><td></td><td></td><td></td><td></td><td>28</td><td>27</td><td>26</td><td></td><td></td><td></td><td></td><td></td><td></td><td></td><td>18</td><td></td></tr> <tr><td colspan="2"></td><td></td><td></td><td>16</td><td>15</td><td>14</td><td>13</td><td>12</td><td>11</td><td>10</td><td>9</td><td>8</td><td>7</td><td></td><td></td><td></td><td></td><td></td><td></td></tr> </table>				69		67	66		64		62	60			57					54	52	51	50		48		46	45	44		42				37				34	33	73								28	27	26								18						16	15	14	13	12	11	10	9	8	7									
			69		67	66		64		62	60			57					54																																																																						
52	51	50		48		46	45	44		42				37				34	33																																																																						
73								28	27	26								18																																																																							
				16	15	14	13	12	11	10	9	8	7																																																																												
AVAILABLE	NOT APPLICABLE	34566-7273	0	C	BLUE	<table border="1"> <tr><td></td><td></td><td></td><td>69</td><td></td><td>67</td><td>66</td><td></td><td>64</td><td></td><td>62</td><td>60</td><td></td><td></td><td>57</td><td></td><td></td><td></td><td></td><td>54</td></tr> <tr><td>52</td><td>51</td><td>50</td><td></td><td>48</td><td></td><td>46</td><td>45</td><td>44</td><td></td><td>42</td><td></td><td></td><td></td><td>37</td><td></td><td></td><td></td><td>35</td><td>34</td><td>33</td></tr> <tr><td colspan="2">73</td><td></td><td></td><td>32</td><td></td><td></td><td></td><td>28</td><td>27</td><td>26</td><td></td><td></td><td></td><td></td><td></td><td></td><td></td><td>19</td><td>18</td><td>17</td></tr> <tr><td colspan="2"></td><td></td><td></td><td>16</td><td>15</td><td>14</td><td>13</td><td>12</td><td>11</td><td>10</td><td>9</td><td>8</td><td>7</td><td></td><td></td><td></td><td></td><td></td><td></td><td></td></tr> </table>				69		67	66		64		62	60			57					54	52	51	50		48		46	45	44		42				37				35	34	33	73				32				28	27	26								19	18	17					16	15	14	13	12	11	10	9	8	7							
			69		67	66		64		62	60			57					54																																																																						
52	51	50		48		46	45	44		42				37				35	34	33																																																																					
73				32				28	27	26								19	18	17																																																																					
				16	15	14	13	12	11	10	9	8	7																																																																												
AVAILABLE	NOT APPLICABLE	34566-7283	0	C	BLUE	<table border="1"> <tr><td></td><td></td><td></td><td>69</td><td></td><td>67</td><td>66</td><td></td><td>64</td><td></td><td>61</td><td>60</td><td></td><td></td><td>57</td><td></td><td></td><td></td><td></td><td>54</td></tr> <tr><td>52</td><td>51</td><td>50</td><td>49</td><td>48</td><td></td><td>46</td><td>45</td><td>44</td><td></td><td>41</td><td></td><td></td><td></td><td>37</td><td></td><td></td><td></td><td>34</td><td>33</td></tr> <tr><td colspan="2">73</td><td></td><td></td><td></td><td></td><td></td><td></td><td>28</td><td>27</td><td>25</td><td></td><td></td><td></td><td></td><td></td><td></td><td></td><td></td><td>18</td></tr> <tr><td colspan="2"></td><td></td><td></td><td>16</td><td>15</td><td>14</td><td>13</td><td>12</td><td>11</td><td>10</td><td>9</td><td>8</td><td>7</td><td></td><td></td><td></td><td></td><td></td><td></td></tr> </table>				69		67	66		64		61	60			57					54	52	51	50	49	48		46	45	44		41				37				34	33	73								28	27	25									18					16	15	14	13	12	11	10	9	8	7									
			69		67	66		64		61	60			57					54																																																																						
52	51	50	49	48		46	45	44		41				37				34	33																																																																						
73								28	27	25									18																																																																						
				16	15	14	13	12	11	10	9	8	7																																																																												

QUALITY SYMBOLS = 0 = 0 = 0 = 0 = 0 = 0 = 0 = 0 = 0	THIS DRAWING CONTAINS INFORMATION THAT IS PROPRIETARY TO MOLEX ELECTRONIC TECHNOLOGIES, LLC AND SHOULD NOT BE USED WITHOUT WRITTEN PERMISSION									
	2017/03/27	2017/03/30	GENERAL TOLERANCES (UNLESS SPECIFIED)		DIMENSION UNITS	SCALE				
	EC NO: 115012	DRWN: TYE	ANGULAR TOL ± °		MM	1:1				
	CHKD:	JDENG02	4 PLACES ±	SKRAJENDRANA	DATE	2011/02/14				
	REV:		3 PLACES ±	CHKD BY	DATE	2011/02/14				
			2 PLACES ±	MVANSLAMBROU	DATE	2011/02/14				
			1 PLACE ±	APPR BY	DATE					
			0 PLACES ±	DRAFT WHERE APPLICABLE MUST REMAIN WITHIN DIMENSIONS		DRAWING SIZE	THIRD ANGLE PROJECTION			
				D						
RELEASE STATUS 		RELEASE DATE 		SERIES 34566		MATERIAL NUMBER SEE BOM TABLE		CUSTOMER GENERAL MARKET		
DOCUMENT NUMBER SD-34566-001				DOC TYPE PSD		DOC PART 000		SHEET NUMBER 79 OF 92		

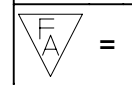
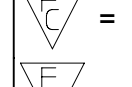
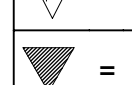
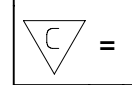
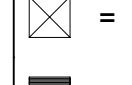
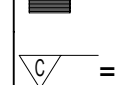
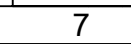

STATUS	GM PART #	MATERIAL #	WIRE DRESS OPTION	KEY OPTION	COLOR (TPA)	NUMBERS INDICATE CAVITIES OPEN FOR CIRCUITS Fp																																																																																
AVAILABLE	NOT APPLICABLE	34566-7493	0	C	BLUE	<table border="1"> <tr><td></td><td></td><td></td><td>69</td><td></td><td>67</td><td></td><td></td><td>64</td><td></td><td>62</td><td></td><td>60</td><td></td><td></td><td>57</td><td></td><td>55</td><td>54</td><td></td></tr> <tr><td>52</td><td>51</td><td>50</td><td></td><td>48</td><td>47</td><td>46</td><td>45</td><td>44</td><td></td><td>42</td><td></td><td></td><td></td><td></td><td>37</td><td></td><td>35</td><td>34</td><td>33</td></tr> <tr><td colspan="3">73</td><td></td><td>32</td><td></td><td></td><td></td><td>28</td><td>27</td><td>26</td><td></td><td></td><td></td><td></td><td></td><td></td><td>19</td><td>18</td><td>17</td></tr> <tr><td></td><td></td><td></td><td></td><td>16</td><td>15</td><td>14</td><td>13</td><td>12</td><td>11</td><td>10</td><td>9</td><td>8</td><td>7</td><td></td><td></td><td></td><td></td><td></td><td></td></tr> </table>				69		67			64		62		60			57		55	54		52	51	50		48	47	46	45	44		42					37		35	34	33	73				32				28	27	26							19	18	17					16	15	14	13	12	11	10	9	8	7						
			69		67			64		62		60			57		55	54																																																																				
52	51	50		48	47	46	45	44		42					37		35	34	33																																																																			
73				32				28	27	26							19	18	17																																																																			
				16	15	14	13	12	11	10	9	8	7																																																																									
AVAILABLE	NOT APPLICABLE	34566-7513	9	A	BLACK	<table border="1"> <tr><td>72</td><td>71</td><td>70</td><td>69</td><td>68</td><td></td><td>66</td><td>65</td><td>64</td><td>63</td><td></td><td>61</td><td>60</td><td></td><td></td><td>57</td><td>56</td><td></td><td>54</td><td>53</td></tr> <tr><td>52</td><td>51</td><td>50</td><td>49</td><td>48</td><td></td><td>46</td><td>45</td><td>44</td><td>43</td><td></td><td></td><td>40</td><td>39</td><td>38</td><td>37</td><td>36</td><td></td><td>34</td><td>33</td></tr> <tr><td colspan="3">73</td><td></td><td>32</td><td>31</td><td>30</td><td>29</td><td>28</td><td></td><td></td><td></td><td></td><td>23</td><td>22</td><td>21</td><td>20</td><td></td><td></td><td></td></tr> <tr><td></td><td></td><td></td><td></td><td></td><td>15</td><td>14</td><td>13</td><td>12</td><td></td><td></td><td></td><td></td><td>7</td><td>6</td><td>5</td><td>4</td><td></td><td>2</td><td></td></tr> </table>	72	71	70	69	68		66	65	64	63		61	60			57	56		54	53	52	51	50	49	48		46	45	44	43			40	39	38	37	36		34	33	73				32	31	30	29	28					23	22	21	20									15	14	13	12					7	6	5	4		2	
72	71	70	69	68		66	65	64	63		61	60			57	56		54	53																																																																			
52	51	50	49	48		46	45	44	43			40	39	38	37	36		34	33																																																																			
73				32	31	30	29	28					23	22	21	20																																																																						
					15	14	13	12					7	6	5	4		2																																																																				
AVAILABLE	NOT APPLICABLE	34566-7523	0	A	BLACK	<table border="1"> <tr><td>72</td><td></td><td></td><td></td><td></td><td></td><td></td><td></td><td>64</td><td></td><td>62</td><td>61</td><td></td><td>59</td><td>58</td><td>57</td><td>56</td><td>55</td><td>54</td><td></td></tr> <tr><td>52</td><td>51</td><td></td><td></td><td>48</td><td>47</td><td>46</td><td>45</td><td>43</td><td></td><td>41</td><td>40</td><td></td><td></td><td></td><td>37</td><td></td><td></td><td></td><td>33</td></tr> <tr><td colspan="3">73</td><td></td><td>32</td><td></td><td>30</td><td>29</td><td>27</td><td>26</td><td>25</td><td>24</td><td></td><td></td><td></td><td></td><td>20</td><td></td><td></td><td></td></tr> <tr><td></td><td></td><td></td><td></td><td>16</td><td>15</td><td></td><td>13</td><td></td><td>11</td><td>10</td><td>9</td><td></td><td></td><td></td><td>4</td><td></td><td></td><td></td><td></td></tr> </table>	72								64		62	61		59	58	57	56	55	54		52	51			48	47	46	45	43		41	40				37				33	73				32		30	29	27	26	25	24					20								16	15		13		11	10	9				4				
72								64		62	61		59	58	57	56	55	54																																																																				
52	51			48	47	46	45	43		41	40				37				33																																																																			
73				32		30	29	27	26	25	24					20																																																																						
				16	15		13		11	10	9				4																																																																							
AVAILABLE	NOT APPLICABLE	34566-7533	0	G	BLUE	<table border="1"> <tr><td>80</td><td>79</td><td>78</td><td></td><td></td><td></td><td></td><td></td><td></td><td>71</td><td>70</td><td></td><td></td><td>67</td><td></td><td></td><td></td><td></td><td></td><td></td></tr> <tr><td>60</td><td>59</td><td>58</td><td>57</td><td></td><td></td><td>54</td><td></td><td></td><td>51</td><td>50</td><td>49</td><td>48</td><td>47</td><td></td><td>45</td><td>44</td><td></td><td>42</td><td>41</td></tr> <tr><td>40</td><td>39</td><td></td><td>37</td><td>36</td><td></td><td>34</td><td>33</td><td>32</td><td></td><td>30</td><td>29</td><td>28</td><td>27</td><td></td><td>25</td><td>24</td><td>23</td><td>22</td><td>21</td></tr> <tr><td>20</td><td>19</td><td>18</td><td></td><td></td><td></td><td></td><td>13</td><td>12</td><td>11</td><td></td><td>9</td><td>8</td><td></td><td></td><td>5</td><td>3</td><td>2</td><td>1</td><td></td></tr> </table>	80	79	78							71	70			67							60	59	58	57			54			51	50	49	48	47		45	44		42	41	40	39		37	36		34	33	32		30	29	28	27		25	24	23	22	21	20	19	18					13	12	11		9	8			5	3	2	1	
80	79	78							71	70			67																																																																									
60	59	58	57			54			51	50	49	48	47		45	44		42	41																																																																			
40	39		37	36		34	33	32		30	29	28	27		25	24	23	22	21																																																																			
20	19	18					13	12	11		9	8			5	3	2	1																																																																				
AVAILABLE	NOT APPLICABLE	34566-7543 SAME AS P/N 35466-1553	0	A	BLACK	<table border="1"> <tr><td></td><td></td><td></td><td></td><td></td><td></td><td></td><td></td><td></td><td></td><td></td><td></td><td></td><td></td><td></td><td></td><td></td><td></td><td></td><td></td></tr> <tr><td colspan="3">73</td><td></td><td></td><td></td><td></td><td></td><td></td><td></td><td></td><td></td><td></td><td></td><td></td><td></td><td></td><td></td><td></td><td></td></tr> </table>																					73																																																											
73																																																																																						
AVAILABLE	NOT APPLICABLE	34566-7553 SAME AS P/N 35466-1983	0	B	ST.GRAY	<table border="1"> <tr><td></td><td></td><td></td><td></td><td></td><td></td><td></td><td></td><td></td><td></td><td></td><td></td><td></td><td></td><td></td><td></td><td></td><td></td><td></td><td></td></tr> <tr><td colspan="3">73</td><td></td><td></td><td></td><td></td><td></td><td></td><td></td><td></td><td></td><td></td><td></td><td></td><td></td><td></td><td></td><td></td><td></td></tr> </table>																					73																																																											
73																																																																																						
AVAILABLE	NOT APPLICABLE	34566-7563	0	C	BLUE	<table border="1"> <tr><td></td><td></td><td></td><td></td><td></td><td></td><td></td><td></td><td></td><td></td><td></td><td></td><td></td><td></td><td></td><td></td><td></td><td></td><td></td><td></td></tr> <tr><td colspan="3">73</td><td></td><td></td><td></td><td></td><td></td><td></td><td></td><td></td><td></td><td></td><td></td><td></td><td></td><td></td><td></td><td></td><td></td></tr> </table>																					73																																																											
73																																																																																						
AVAILABLE	NOT APPLICABLE	34566-7573	0	B	ST.GRAY	<table border="1"> <tr><td>72</td><td></td><td>70</td><td></td><td>68</td><td></td><td></td><td></td><td></td><td></td><td>62</td><td>61</td><td></td><td></td><td></td><td></td><td></td><td></td><td>55</td><td></td></tr> <tr><td>52</td><td></td><td></td><td></td><td>48</td><td>47</td><td>46</td><td></td><td></td><td>43</td><td></td><td>40</td><td></td><td></td><td></td><td></td><td></td><td>22</td><td>21</td><td>20</td></tr> <tr><td colspan="3">73</td><td></td><td></td><td></td><td>30</td><td></td><td></td><td></td><td></td><td></td><td></td><td></td><td></td><td></td><td>19</td><td>18</td><td>17</td></tr> <tr><td></td><td></td><td></td><td></td><td>16</td><td>15</td><td>14</td><td></td><td></td><td></td><td>8</td><td>6</td><td></td><td></td><td></td><td>4</td><td></td><td></td><td></td><td>2</td></tr> </table>	72		70		68						62	61							55		52				48	47	46			43		40						22	21	20	73						30										19	18	17					16	15	14				8	6				4				2	
72		70		68						62	61							55																																																																				
52				48	47	46			43		40						22	21	20																																																																			
73						30										19	18	17																																																																				
				16	15	14				8	6				4				2																																																																			
AVAILABLE	NOT APPLICABLE	34566-7583	9	A	BLACK	<table border="1"> <tr><td>72</td><td></td><td>70</td><td></td><td></td><td>67</td><td></td><td></td><td></td><td>63</td><td></td><td></td><td>60</td><td>59</td><td>58</td><td>57</td><td></td><td></td><td></td><td></td></tr> <tr><td>52</td><td></td><td></td><td></td><td>48</td><td>47</td><td>46</td><td></td><td></td><td>43</td><td>42</td><td></td><td>40</td><td>39</td><td>38</td><td>37</td><td></td><td></td><td></td><td></td></tr> <tr><td colspan="3">73</td><td></td><td>32</td><td>31</td><td>30</td><td>29</td><td>28</td><td>27</td><td></td><td></td><td></td><td></td><td>22</td><td>21</td><td></td><td></td><td></td><td></td></tr> <tr><td></td><td></td><td></td><td></td><td>16</td><td>15</td><td>14</td><td>13</td><td>12</td><td>11</td><td></td><td>9</td><td>7</td><td></td><td></td><td></td><td></td><td></td><td>2</td><td>1</td></tr> </table>	72		70			67				63			60	59	58	57					52				48	47	46			43	42		40	39	38	37					73				32	31	30	29	28	27					22	21									16	15	14	13	12	11		9	7						2	1
72		70			67				63			60	59	58	57																																																																							
52				48	47	46			43	42		40	39	38	37																																																																							
73				32	31	30	29	28	27					22	21																																																																							
				16	15	14	13	12	11		9	7						2	1																																																																			

QUALITY SYMBOLS = 0 = 0 = 0 = 0 = 0 = 0 = 0 = 0 = 0	THIS DRAWING CONTAINS INFORMATION THAT IS PROPRIETARY TO MOLEX ELECTRONIC TECHNOLOGIES, LLC AND SHOULD NOT BE USED WITHOUT WRITTEN PERMISSION									
	2017/03/27	2017/03/30	GENERAL TOLERANCES (UNLESS SPECIFIED)		DIMENSION UNITS	SCALE				
	EC NO: 115012 DRWN: TYE CHKD: REV APPR: JDENG02	ANGULAR TOL ± °		MM	1:1					
		4 PLACES ±	SKRAJENDRANA	2011/02/14						
		3 PLACES ±	CHKD BY	DATE						
		2 PLACES ±	MVANSLAMBROU	2011/02/14						
		1 PLACE ±	APPR BY	DATE						
	0 PLACES ±	DRAWING SIZE		THIRD ANGLE PROJECTION						
	DRAFT WHERE APPLICABLE MUST REMAIN WITHIN DIMENSIONS		D							
	SERIES		MATERIAL NUMBER	CUSTOMER						
34566		SEE BOM TABLE	GENERAL MARKET							
DOCUMENT NUMBER		DOC TYPE	DOC PART	SHEET NUMBER						
SD-34566-001		PSD	000	82 OF 92						

STATUS	GM PART #	MATERIAL #	WIRE DRESS OPTION	KEY OPTION	COLOR (TPA)	NUMBERS INDICATE CAVITIES OPEN FOR CIRCUITS F _P																																																																																			
AVAILABLE	NOT APPLICABLE	34566-7593	9	A	BLACK	<table border="1"> <tr><td>72</td><td></td><td>70</td><td>69</td><td>68</td><td></td><td></td><td></td><td>64</td><td></td><td>62</td><td>61</td><td></td><td>59</td><td>58</td><td>57</td><td>56</td><td>55</td><td>54</td><td>53</td></tr> <tr><td>52</td><td>51</td><td>50</td><td></td><td>48</td><td>47</td><td>46</td><td>45</td><td></td><td>43</td><td></td><td>41</td><td>40</td><td></td><td></td><td>37</td><td></td><td>35</td><td></td><td>33</td></tr> <tr><td colspan="4">73</td><td>32</td><td>30</td><td>29</td><td></td><td>27</td><td>26</td><td>25</td><td>24</td><td></td><td></td><td></td><td></td><td>20</td><td>19</td><td>18</td><td></td></tr> <tr><td></td><td></td><td></td><td>16</td><td>15</td><td>14</td><td>13</td><td>12</td><td>11</td><td>10</td><td>9</td><td>8</td><td></td><td></td><td></td><td>5</td><td>4</td><td>3</td><td>2</td><td>1</td></tr> </table>	72		70	69	68				64		62	61		59	58	57	56	55	54	53	52	51	50		48	47	46	45		43		41	40			37		35		33	73				32	30	29		27	26	25	24					20	19	18					16	15	14	13	12	11	10	9	8				5	4	3	2	1			
72		70	69	68				64		62	61		59	58	57	56	55	54	53																																																																						
52	51	50		48	47	46	45		43		41	40			37		35		33																																																																						
73				32	30	29		27	26	25	24					20	19	18																																																																							
			16	15	14	13	12	11	10	9	8				5	4	3	2	1																																																																						
AVAILABLE	NOT APPLICABLE	34822-0093	9	A	BLACK	<table border="1"> <tr><td></td><td>63</td><td>62</td><td>61</td><td>60</td><td>59</td><td></td><td></td><td></td><td></td><td>54</td><td>53</td><td></td><td>51</td><td></td><td>49</td><td></td><td colspan="4">66</td></tr> <tr><td></td><td>47</td><td></td><td></td><td></td><td></td><td></td><td></td><td></td><td></td><td>38</td><td>37</td><td></td><td>35</td><td></td><td>33</td><td></td><td></td><td></td><td></td></tr> <tr><td colspan="4">65</td><td></td><td></td><td></td><td></td><td>28</td><td></td><td></td><td>25</td><td></td><td></td><td>22</td><td>21</td><td>20</td><td>19</td><td>18</td><td>17</td></tr> <tr><td></td><td></td><td></td><td></td><td>15</td><td>14</td><td>13</td><td></td><td></td><td></td><td></td><td>8</td><td>7</td><td></td><td></td><td></td><td></td><td>3</td><td>2</td><td>1</td></tr> </table>		63	62	61	60	59					54	53		51		49		66					47									38	37		35		33					65								28			25			22	21	20	19	18	17					15	14	13					8	7					3	2	1		
	63	62	61	60	59					54	53		51		49		66																																																																								
	47									38	37		35		33																																																																										
65								28			25			22	21	20	19	18	17																																																																						
				15	14	13					8	7					3	2	1																																																																						
AVAILABLE	NOT APPLICABLE	34822-0103	0	A	BLACK	<table border="1"> <tr><td></td><td>63</td><td></td><td></td><td></td><td></td><td></td><td></td><td>58</td><td>57</td><td>56</td><td>55</td><td>54</td><td>53</td><td></td><td>51</td><td></td><td>49</td><td></td><td colspan="2">66</td></tr> <tr><td></td><td></td><td></td><td></td><td></td><td></td><td></td><td></td><td>41</td><td>40</td><td></td><td></td><td>38</td><td>37</td><td></td><td>35</td><td></td><td>33</td><td></td><td></td></tr> <tr><td colspan="4">65</td><td></td><td></td><td></td><td></td><td>28</td><td>27</td><td>26</td><td>25</td><td></td><td></td><td></td><td>22</td><td></td><td></td><td></td><td>18</td><td>17</td></tr> <tr><td></td><td></td><td></td><td></td><td></td><td>14</td><td></td><td></td><td></td><td></td><td></td><td></td><td></td><td></td><td>7</td><td></td><td></td><td>4</td><td>3</td><td>2</td><td>1</td></tr> </table>		63							58	57	56	55	54	53		51		49		66										41	40			38	37		35		33			65								28	27	26	25				22				18	17						14									7			4	3	2	1
	63							58	57	56	55	54	53		51		49		66																																																																						
								41	40			38	37		35		33																																																																								
65								28	27	26	25				22				18	17																																																																					
					14									7			4	3	2	1																																																																					
AVAILABLE	NOT APPLICABLE	34822-0113	9	A	BLACK	<table border="1"> <tr><td></td><td></td><td></td><td>61</td><td>60</td><td>59</td><td>58</td><td></td><td>56</td><td>55</td><td></td><td></td><td></td><td></td><td>51</td><td></td><td>49</td><td></td><td colspan="2">66</td></tr> <tr><td></td><td></td><td></td><td></td><td></td><td></td><td>42</td><td></td><td></td><td></td><td></td><td></td><td></td><td></td><td></td><td></td><td></td><td></td><td></td><td></td></tr> <tr><td colspan="4">65</td><td></td><td></td><td></td><td></td><td></td><td></td><td></td><td></td><td></td><td></td><td></td><td></td><td></td><td></td><td></td><td></td><td>17</td></tr> <tr><td></td><td></td><td></td><td></td><td></td><td></td><td></td><td></td><td></td><td></td><td>10</td><td>8</td><td></td><td></td><td></td><td></td><td></td><td></td><td></td><td>2</td></tr> </table>				61	60	59	58		56	55					51		49		66								42														65																				17											10	8								2		
			61	60	59	58		56	55					51		49		66																																																																							
						42																																																																																			
65																				17																																																																					
										10	8								2																																																																						
AVAILABLE	NOT APPLICABLE	34822-0123	9	C	BLUE	<table border="1"> <tr><td>64</td><td>63</td><td>62</td><td>61</td><td>60</td><td></td><td></td><td></td><td></td><td></td><td>55</td><td>54</td><td></td><td></td><td></td><td></td><td></td><td></td><td colspan="2">66</td></tr> <tr><td>48</td><td>47</td><td>46</td><td>45</td><td></td><td></td><td></td><td></td><td>42</td><td></td><td></td><td>39</td><td></td><td></td><td>36</td><td>35</td><td></td><td></td><td></td><td></td></tr> <tr><td colspan="4">65</td><td></td><td></td><td></td><td></td><td>31</td><td></td><td></td><td>27</td><td></td><td></td><td></td><td></td><td></td><td></td><td></td><td>19</td><td></td></tr> <tr><td></td><td></td><td></td><td></td><td></td><td></td><td></td><td></td><td>16</td><td></td><td></td><td></td><td>10</td><td></td><td></td><td></td><td>6</td><td></td><td>4</td><td></td><td>1</td></tr> </table>	64	63	62	61	60						55	54							66		48	47	46	45					42			39			36	35					65								31			27								19										16				10				6		4		1	
64	63	62	61	60						55	54							66																																																																							
48	47	46	45					42			39			36	35																																																																										
65								31			27								19																																																																						
								16				10				6		4		1																																																																					
AVAILABLE	NOT APPLICABLE	34566-7613	9	H	ST.GRAY	<table border="1"> <tr><td>80</td><td>79</td><td>78</td><td></td><td></td><td></td><td>75</td><td></td><td></td><td></td><td>71</td><td>70</td><td></td><td></td><td></td><td>67</td><td></td><td></td><td></td><td></td></tr> <tr><td>60</td><td>59</td><td></td><td>57</td><td></td><td></td><td>54</td><td></td><td></td><td></td><td>51</td><td>50</td><td>49</td><td>48</td><td>47</td><td></td><td>45</td><td>44</td><td></td><td>42</td><td>41</td></tr> <tr><td>40</td><td>39</td><td></td><td>37</td><td>36</td><td></td><td>34</td><td>33</td><td>32</td><td></td><td>30</td><td>29</td><td>28</td><td>27</td><td></td><td>25</td><td>24</td><td>23</td><td>22</td><td>21</td></tr> <tr><td>20</td><td></td><td>18</td><td></td><td></td><td></td><td></td><td>13</td><td>12</td><td>11</td><td></td><td>9</td><td>8</td><td></td><td></td><td>5</td><td></td><td>3</td><td>2</td><td>1</td></tr> </table>	80	79	78				75				71	70				67					60	59		57			54				51	50	49	48	47		45	44		42	41	40	39		37	36		34	33	32		30	29	28	27		25	24	23	22	21	20		18					13	12	11		9	8			5		3	2	1		
80	79	78				75				71	70				67																																																																										
60	59		57			54				51	50	49	48	47		45	44		42	41																																																																					
40	39		37	36		34	33	32		30	29	28	27		25	24	23	22	21																																																																						
20		18					13	12	11		9	8			5		3	2	1																																																																						
AVAILABLE	NOT APPLICABLE	34566-7623	9	G	BLUE	<table border="1"> <tr><td>80</td><td>79</td><td>78</td><td></td><td></td><td></td><td>75</td><td></td><td></td><td></td><td>71</td><td>70</td><td></td><td></td><td></td><td>67</td><td></td><td></td><td></td><td></td></tr> <tr><td>60</td><td>59</td><td>58</td><td>57</td><td></td><td></td><td>54</td><td></td><td></td><td></td><td>51</td><td>50</td><td>49</td><td>48</td><td>47</td><td></td><td>45</td><td>44</td><td></td><td>42</td><td>41</td></tr> <tr><td>40</td><td>39</td><td></td><td>37</td><td>36</td><td></td><td>34</td><td>33</td><td>32</td><td></td><td>30</td><td>29</td><td>28</td><td>27</td><td></td><td>25</td><td>24</td><td>23</td><td>22</td><td>21</td></tr> <tr><td>20</td><td>19</td><td>18</td><td></td><td></td><td></td><td></td><td>13</td><td>12</td><td>11</td><td></td><td>9</td><td>8</td><td></td><td></td><td>5</td><td></td><td>3</td><td>2</td><td>1</td></tr> </table>	80	79	78				75				71	70				67					60	59	58	57			54				51	50	49	48	47		45	44		42	41	40	39		37	36		34	33	32		30	29	28	27		25	24	23	22	21	20	19	18					13	12	11		9	8			5		3	2	1		
80	79	78				75				71	70				67																																																																										
60	59	58	57			54				51	50	49	48	47		45	44		42	41																																																																					
40	39		37	36		34	33	32		30	29	28	27		25	24	23	22	21																																																																						
20	19	18					13	12	11		9	8			5		3	2	1																																																																						
AVAILABLE	NOT APPLICABLE	34822-0133	0	C	BLUE	<table border="1"> <tr><td>64</td><td>63</td><td>62</td><td>61</td><td>60</td><td></td><td></td><td></td><td></td><td></td><td>55</td><td>54</td><td></td><td></td><td></td><td></td><td></td><td></td><td colspan="2">66</td></tr> <tr><td>48</td><td>47</td><td>46</td><td>45</td><td></td><td></td><td></td><td></td><td>42</td><td></td><td></td><td>39</td><td></td><td></td><td>36</td><td>35</td><td></td><td></td><td></td><td></td></tr> <tr><td colspan="4">65</td><td></td><td></td><td></td><td></td><td>31</td><td></td><td></td><td>27</td><td></td><td></td><td></td><td></td><td></td><td></td><td></td><td>19</td><td></td></tr> <tr><td></td><td></td><td></td><td></td><td></td><td></td><td></td><td></td><td>16</td><td></td><td></td><td></td><td>10</td><td></td><td></td><td>6</td><td></td><td>4</td><td></td><td>1</td></tr> </table>	64	63	62	61	60						55	54							66		48	47	46	45					42			39			36	35					65								31			27								19										16				10			6		4		1		
64	63	62	61	60						55	54							66																																																																							
48	47	46	45					42			39			36	35																																																																										
65								31			27								19																																																																						
								16				10			6		4		1																																																																						
AVAILABLE	NOT APPLICABLE	34566-7633	9	A	BLACK	<table border="1"> <tr><td>72</td><td>71</td><td>70</td><td>69</td><td>68</td><td>67</td><td>66</td><td>65</td><td>64</td><td>63</td><td></td><td></td><td>60</td><td>59</td><td>58</td><td>57</td><td>56</td><td>55</td><td>54</td><td></td></tr> <tr><td>52</td><td>51</td><td>50</td><td>49</td><td>48</td><td>47</td><td>46</td><td>45</td><td>44</td><td>43</td><td>42</td><td>41</td><td>40</td><td>39</td><td>38</td><td>37</td><td>36</td><td>35</td><td>34</td><td></td></tr> <tr><td colspan="4">73</td><td>32</td><td>31</td><td>30</td><td>29</td><td>28</td><td>27</td><td>26</td><td>25</td><td></td><td>23</td><td>22</td><td>21</td><td>20</td><td></td><td>18</td><td>17</td><td></td></tr> <tr><td></td><td></td><td></td><td></td><td>16</td><td>15</td><td>14</td><td>13</td><td>12</td><td>11</td><td></td><td>9</td><td>7</td><td>6</td><td>5</td><td>4</td><td></td><td>2</td><td>1</td><td></td></tr> </table>	72	71	70	69	68	67	66	65	64	63			60	59	58	57	56	55	54		52	51	50	49	48	47	46	45	44	43	42	41	40	39	38	37	36	35	34		73				32	31	30	29	28	27	26	25		23	22	21	20		18	17						16	15	14	13	12	11		9	7	6	5	4		2	1			
72	71	70	69	68	67	66	65	64	63			60	59	58	57	56	55	54																																																																							
52	51	50	49	48	47	46	45	44	43	42	41	40	39	38	37	36	35	34																																																																							
73				32	31	30	29	28	27	26	25		23	22	21	20		18	17																																																																						
				16	15	14	13	12	11		9	7	6	5	4		2	1																																																																							

QUALITY SYMBOLS 	THIS DRAWING CONTAINS INFORMATION THAT IS PROPRIETARY TO MOLEX ELECTRONIC TECHNOLOGIES, LLC AND SHOULD NOT BE USED WITHOUT WRITTEN PERMISSION												
	EC NO: 115012	DRWN: TYE	CHKD: JDENG02	REV: APPR: JDENG02	2017/03/27	2017/03/30	GENERAL TOLERANCES (UNLESS SPECIFIED)		DIMENSION UNITS	SCALE			
							4 PLACES ±	MM	1:1	DRWN BY		DATE	
							3 PLACES ±	ANGULAR TOL ± °	SKRAJENDRANA	2011/02/14		CHKD BY	DATE
							2 PLACES ±	0 PLACES ±	MVANSLAMBROU	2011/02/14		APPR BY	DATE
							1 PLACE ±	DRAFT WHERE APPLICABLE MUST REMAIN WITHIN DIMENSIONS	DRAWING SIZE	THIRD ANGLE PROJECTION		PRODUCT CUSTOMER DRAWING	
							0 PLACES ±	D	34566	SEE BOM TABLE		GENERAL MARKET	
									SERIES	MATERIAL NUMBER		CUSTOMER	
									DOCUMENT NUMBER	DOC TYPE		DOC PART	SHEET NUMBER
									G49	SD-34566-001		PSD	000

STATUS	GM PART #	MATERIAL #	WIRE DRESS OPTION	KEY OPTION	COLOR (TPA)	NUMBERS INDICATE CAVITIES OPEN FOR CIRCUITS F _P																																																																																						
AVAILABLE	NOT APPLICABLE	34566-7823	0	B	ST.GRAY	<table border="1"> <tr><td>72</td><td></td><td></td><td></td><td>68</td><td>67</td><td></td><td></td><td></td><td>63</td><td>62</td><td>61</td><td>60</td><td>59</td><td></td><td></td><td></td><td></td><td></td><td></td><td></td></tr> <tr><td>52</td><td></td><td></td><td></td><td>48</td><td>47</td><td>46</td><td></td><td>44</td><td>43</td><td></td><td>41</td><td>40</td><td></td><td>38</td><td>37</td><td>36</td><td>35</td><td></td><td></td><td></td></tr> <tr><td colspan="4">73</td><td></td><td>30</td><td></td><td></td><td>27</td><td></td><td></td><td></td><td></td><td></td><td></td><td>20</td><td>19</td><td>18</td><td></td><td></td><td></td></tr> <tr><td colspan="4">73</td><td>16</td><td>14</td><td></td><td></td><td>11</td><td></td><td></td><td>8</td><td></td><td></td><td></td><td>4</td><td></td><td></td><td></td><td></td><td>1</td></tr> </table>	72				68	67				63	62	61	60	59								52				48	47	46		44	43		41	40		38	37	36	35				73					30			27							20	19	18				73				16	14			11			8				4					1		
72				68	67				63	62	61	60	59																																																																															
52				48	47	46		44	43		41	40		38	37	36	35																																																																											
73					30			27							20	19	18																																																																											
73				16	14			11			8				4					1																																																																								
AVAILABLE	NOT APPLICABLE	34566-7833	0	B	ST.GRAY	<table border="1"> <tr><td>72</td><td>71</td><td>70</td><td>69</td><td>68</td><td>67</td><td>66</td><td>65</td><td>64</td><td>63</td><td></td><td>61</td><td>60</td><td>59</td><td></td><td>57</td><td>56</td><td>55</td><td></td><td></td><td></td></tr> <tr><td>52</td><td>51</td><td>50</td><td>49</td><td>48</td><td>47</td><td>46</td><td>45</td><td>44</td><td>43</td><td></td><td>41</td><td>40</td><td>39</td><td>38</td><td>37</td><td>36</td><td>35</td><td>34</td><td>33</td><td></td></tr> <tr><td colspan="4">73</td><td></td><td>32</td><td>31</td><td>30</td><td>29</td><td>28</td><td></td><td>26</td><td>25</td><td>24</td><td>23</td><td>22</td><td>21</td><td>20</td><td>19</td><td>18</td><td>17</td></tr> <tr><td colspan="4">73</td><td>16</td><td>15</td><td>14</td><td>13</td><td>12</td><td></td><td></td><td></td><td>8</td><td>7</td><td>6</td><td>5</td><td>4</td><td>3</td><td>2</td><td>1</td><td></td></tr> </table>	72	71	70	69	68	67	66	65	64	63		61	60	59		57	56	55				52	51	50	49	48	47	46	45	44	43		41	40	39	38	37	36	35	34	33		73					32	31	30	29	28		26	25	24	23	22	21	20	19	18	17	73				16	15	14	13	12				8	7	6	5	4	3	2	1			
72	71	70	69	68	67	66	65	64	63		61	60	59		57	56	55																																																																											
52	51	50	49	48	47	46	45	44	43		41	40	39	38	37	36	35	34	33																																																																									
73					32	31	30	29	28		26	25	24	23	22	21	20	19	18	17																																																																								
73				16	15	14	13	12				8	7	6	5	4	3	2	1																																																																									
AVAILABLE	NOT APPLICABLE	34566-7843	9	C	BLUE	<table border="1"> <tr><td></td><td>71</td><td></td><td></td><td></td><td>67</td><td></td><td>65</td><td>64</td><td></td><td>62</td><td>61</td><td>60</td><td></td><td>58</td><td>57</td><td></td><td></td><td></td><td>54</td><td></td></tr> <tr><td>52</td><td>51</td><td>50</td><td>49</td><td>48</td><td>47</td><td></td><td>45</td><td>44</td><td></td><td>42</td><td>41</td><td></td><td></td><td>38</td><td>37</td><td></td><td></td><td></td><td>34</td><td>33</td></tr> <tr><td colspan="4">73</td><td></td><td></td><td></td><td></td><td>28</td><td>27</td><td>26</td><td>25</td><td></td><td></td><td></td><td></td><td></td><td></td><td></td><td></td><td>18</td><td></td></tr> <tr><td colspan="4">73</td><td>16</td><td>15</td><td>14</td><td>13</td><td>12</td><td>11</td><td>10</td><td>9</td><td></td><td></td><td></td><td></td><td></td><td></td><td></td><td></td><td></td><td></td></tr> </table>		71				67		65	64		62	61	60		58	57				54		52	51	50	49	48	47		45	44		42	41			38	37				34	33	73								28	27	26	25									18		73				16	15	14	13	12	11	10	9										
	71				67		65	64		62	61	60		58	57				54																																																																									
52	51	50	49	48	47		45	44		42	41			38	37				34	33																																																																								
73								28	27	26	25									18																																																																								
73				16	15	14	13	12	11	10	9																																																																																	
AVAILABLE	NOT APPLICABLE	34566-7853	9	C	BLUE	<table border="1"> <tr><td>72</td><td>71</td><td>70</td><td>69</td><td></td><td>67</td><td>66</td><td></td><td>64</td><td></td><td></td><td></td><td></td><td></td><td></td><td></td><td></td><td></td><td></td><td>54</td><td></td></tr> <tr><td>52</td><td>51</td><td>50</td><td>49</td><td></td><td>47</td><td>46</td><td></td><td>44</td><td></td><td></td><td></td><td></td><td>39</td><td>38</td><td></td><td></td><td></td><td></td><td></td><td></td></tr> <tr><td colspan="4">73</td><td></td><td></td><td>30</td><td>29</td><td>28</td><td>27</td><td>26</td><td>25</td><td>24</td><td>23</td><td>22</td><td>21</td><td></td><td></td><td></td><td></td><td>17</td><td></td></tr> <tr><td colspan="4">73</td><td>16</td><td>15</td><td>14</td><td>13</td><td>12</td><td>11</td><td>10</td><td>9</td><td>8</td><td>7</td><td>6</td><td>5</td><td></td><td></td><td></td><td></td><td></td><td></td></tr> </table>	72	71	70	69		67	66		64											54		52	51	50	49		47	46		44					39	38							73						30	29	28	27	26	25	24	23	22	21					17		73				16	15	14	13	12	11	10	9	8	7	6	5						
72	71	70	69		67	66		64											54																																																																									
52	51	50	49		47	46		44					39	38																																																																														
73						30	29	28	27	26	25	24	23	22	21					17																																																																								
73				16	15	14	13	12	11	10	9	8	7	6	5																																																																													
AVAILABLE	NOT APPLICABLE	34566-7863	9	C	BLUE	<table border="1"> <tr><td>72</td><td></td><td>70</td><td></td><td>68</td><td>67</td><td>66</td><td></td><td></td><td>63</td><td>62</td><td></td><td></td><td>59</td><td></td><td>57</td><td></td><td></td><td></td><td></td><td>53</td></tr> <tr><td>52</td><td>51</td><td></td><td></td><td>48</td><td>47</td><td>46</td><td></td><td>44</td><td></td><td></td><td></td><td></td><td>40</td><td>39</td><td></td><td>37</td><td>36</td><td>35</td><td>34</td><td>33</td></tr> <tr><td colspan="4">73</td><td></td><td>32</td><td>30</td><td></td><td></td><td>27</td><td>26</td><td>25</td><td>24</td><td></td><td></td><td>22</td><td>21</td><td></td><td></td><td></td><td>2</td></tr> <tr><td colspan="4">73</td><td></td><td>15</td><td>14</td><td></td><td></td><td></td><td>10</td><td>9</td><td>8</td><td></td><td></td><td>6</td><td>5</td><td>4</td><td></td><td></td><td></td></tr> </table>	72		70		68	67	66			63	62			59		57					53	52	51			48	47	46		44					40	39		37	36	35	34	33	73					32	30			27	26	25	24			22	21				2	73					15	14				10	9	8			6	5	4					
72		70		68	67	66			63	62			59		57					53																																																																								
52	51			48	47	46		44					40	39		37	36	35	34	33																																																																								
73					32	30			27	26	25	24			22	21				2																																																																								
73					15	14				10	9	8			6	5	4																																																																											
AVAILABLE	NOT APPLICABLE	34566-7873	9	A	BLACK	<table border="1"> <tr><td></td><td>71</td><td></td><td>69</td><td></td><td></td><td></td><td>65</td><td>64</td><td></td><td></td><td>61</td><td>60</td><td></td><td>58</td><td></td><td>56</td><td>55</td><td>54</td><td></td><td></td></tr> <tr><td></td><td></td><td>50</td><td></td><td></td><td></td><td></td><td>45</td><td>43</td><td>42</td><td></td><td></td><td></td><td></td><td>38</td><td></td><td></td><td>35</td><td></td><td>19</td><td>18</td></tr> <tr><td colspan="4">73</td><td></td><td></td><td>31</td><td></td><td>29</td><td>28</td><td></td><td></td><td></td><td></td><td>23</td><td></td><td></td><td></td><td></td><td>3</td><td>1</td></tr> <tr><td colspan="4">73</td><td>16</td><td></td><td></td><td></td><td>12</td><td>11</td><td></td><td></td><td></td><td></td><td></td><td></td><td></td><td></td><td></td><td></td><td></td><td></td></tr> </table>		71		69				65	64			61	60		58		56	55	54					50					45	43	42					38			35		19	18	73						31		29	28					23					3	1	73				16				12	11													
	71		69				65	64			61	60		58		56	55	54																																																																										
		50					45	43	42					38			35		19	18																																																																								
73						31		29	28					23					3	1																																																																								
73				16				12	11																																																																																			
AVAILABLE	NOT APPLICABLE	34566-7883	9	A	BLACK	<table border="1"> <tr><td>72</td><td></td><td></td><td></td><td>68</td><td>67</td><td>66</td><td>65</td><td></td><td></td><td></td><td></td><td></td><td></td><td></td><td></td><td></td><td></td><td></td><td></td><td></td></tr> <tr><td></td><td></td><td></td><td></td><td>48</td><td>47</td><td></td><td></td><td></td><td></td><td></td><td></td><td>40</td><td></td><td>38</td><td></td><td></td><td></td><td>35</td><td></td><td>33</td></tr> <tr><td colspan="4">73</td><td></td><td></td><td>31</td><td>30</td><td></td><td></td><td></td><td></td><td>25</td><td>24</td><td>23</td><td>22</td><td>21</td><td>20</td><td>19</td><td>17</td><td></td></tr> <tr><td colspan="4">73</td><td></td><td></td><td></td><td></td><td></td><td></td><td></td><td>9</td><td>8</td><td>7</td><td>6</td><td>5</td><td>4</td><td></td><td></td><td>2</td><td>1</td></tr> </table>	72				68	67	66	65																		48	47							40		38				35		33	73						31	30					25	24	23	22	21	20	19	17		73											9	8	7	6	5	4			2	1		
72				68	67	66	65																																																																																					
				48	47							40		38				35		33																																																																								
73						31	30					25	24	23	22	21	20	19	17																																																																									
73											9	8	7	6	5	4			2	1																																																																								
AVAILABLE	NOT APPLICABLE	34566-7893	9	A	BLACK	<table border="1"> <tr><td>72</td><td>71</td><td>70</td><td>69</td><td>68</td><td></td><td>66</td><td>65</td><td>64</td><td>63</td><td></td><td>61</td><td>60</td><td></td><td></td><td>57</td><td>56</td><td></td><td>54</td><td>53</td></tr> <tr><td>52</td><td>51</td><td>50</td><td>49</td><td>48</td><td></td><td>46</td><td>45</td><td>44</td><td>43</td><td>42</td><td></td><td>40</td><td>39</td><td>38</td><td>37</td><td>36</td><td></td><td>34</td><td>33</td></tr> <tr><td colspan="4">73</td><td></td><td>32</td><td>31</td><td>30</td><td>29</td><td>28</td><td></td><td></td><td></td><td></td><td>23</td><td>22</td><td>21</td><td>20</td><td></td><td></td><td></td></tr> <tr><td colspan="4">73</td><td></td><td>15</td><td>14</td><td>13</td><td>12</td><td></td><td></td><td></td><td></td><td>7</td><td>6</td><td>5</td><td>4</td><td></td><td></td><td></td><td>2</td></tr> </table>	72	71	70	69	68		66	65	64	63		61	60			57	56		54	53	52	51	50	49	48		46	45	44	43	42		40	39	38	37	36		34	33	73					32	31	30	29	28					23	22	21	20				73					15	14	13	12					7	6	5	4				2				
72	71	70	69	68		66	65	64	63		61	60			57	56		54	53																																																																									
52	51	50	49	48		46	45	44	43	42		40	39	38	37	36		34	33																																																																									
73					32	31	30	29	28					23	22	21	20																																																																											
73					15	14	13	12					7	6	5	4				2																																																																								
AVAILABLE	TBD	34822-0163	0	A	BLACK	<table border="1"> <tr><td>64</td><td>63</td><td></td><td></td><td></td><td></td><td></td><td></td><td></td><td></td><td>54</td><td>53</td><td></td><td>51</td><td></td><td>49</td><td></td><td></td><td></td><td></td><td>66</td></tr> <tr><td></td><td></td><td></td><td></td><td></td><td></td><td></td><td></td><td></td><td></td><td>38</td><td>37</td><td></td><td>35</td><td></td><td>33</td><td></td><td></td><td></td><td></td><td></td></tr> <tr><td colspan="4">65</td><td></td><td></td><td></td><td></td><td>28</td><td></td><td></td><td></td><td></td><td>23</td><td>21</td><td>20</td><td>19</td><td>18</td><td>17</td><td></td><td></td></tr> <tr><td colspan="4">65</td><td></td><td>15</td><td>14</td><td>13</td><td></td><td></td><td></td><td></td><td>8</td><td>7</td><td></td><td></td><td>4</td><td>3</td><td>2</td><td>1</td><td></td><td></td></tr> </table>	64	63									54	53		51		49					66											38	37		35		33						65								28					23	21	20	19	18	17			65					15	14	13					8	7			4	3	2	1			
64	63									54	53		51		49					66																																																																								
										38	37		35		33																																																																													
65								28					23	21	20	19	18	17																																																																										
65					15	14	13					8	7			4	3	2	1																																																																									

QUALITY SYMBOLS  = 0  = 0  = 0  = 0  = 0  = 0  = 0 = 0	THIS DRAWING CONTAINS INFORMATION THAT IS PROPRIETARY TO MOLEX ELECTRONIC TECHNOLOGIES, LLC AND SHOULD NOT BE USED WITHOUT WRITTEN PERMISSION													
	EC NO: 115012	DRWN: TYE	CHKD: JDENG02	REV: APPR: JDENG02	2017/03/27	2017/03/30	GENERAL TOLERANCES (UNLESS SPECIFIED)		DIMENSION UNITS	SCALE	 MX123 66/73/80CKT HRNS CONN ASSY PRODUCT CUSTOMER DRAWING			
	4 PLACES ±		ANGULAR TOL ± °		MM	1:1	DRWN BY	DATE	SKRAJENDRANA 2011/02/14					
	3 PLACES ±						CHKD BY	DATE	MVANSLAMBROU 2011/02/14					
	2 PLACES ±						APPR BY	DATE						
	1 PLACE ±						DRAWING SIZE		THIRD ANGLE PROJECTION					
	0 PLACES ±						DRAFT WHERE APPLICABLE MUST REMAIN WITHIN DIMENSIONS		D					
	SERIES		MATERIAL NUMBER		CUSTOMER		DOCUMENT NUMBER		DOC TYPE				DOC PART SHEET NUMBER	
	34566		SEE BOM TABLE		GENERAL MARKET		SD-34566-001		PSD				000 86 OF 92	
	RELEASE STATUS		RELEASE DATE											

STATUS	GM PART #	MATERIAL #	WIRE DRESS OPTION	KEY OPTION	COLOR (TPA)	NUMBERS INDICATE CAVITIES OPEN FOR CIRCUITS F _P																																																																																						
AVAILABLE	NOT APPLICABLE	34566-7913	9	G	BLUE	<table border="1"> <tr><td>80</td><td>79</td><td>78</td><td></td><td></td><td>75</td><td></td><td></td><td></td><td>71</td><td>70</td><td></td><td></td><td>67</td><td></td><td></td><td></td><td></td><td></td><td>61</td></tr> <tr><td>60</td><td>59</td><td>58</td><td>57</td><td></td><td></td><td>54</td><td></td><td></td><td>51</td><td>50</td><td>49</td><td>48</td><td>47</td><td></td><td>45</td><td>44</td><td></td><td></td><td>42</td><td>41</td></tr> <tr><td>40</td><td>39</td><td></td><td>37</td><td>36</td><td></td><td>34</td><td>33</td><td>32</td><td></td><td>30</td><td>29</td><td>28</td><td>27</td><td></td><td>25</td><td>24</td><td>23</td><td>22</td><td>21</td></tr> <tr><td>20</td><td>19</td><td>18</td><td></td><td></td><td></td><td></td><td></td><td>13</td><td>12</td><td>11</td><td></td><td>9</td><td>8</td><td></td><td></td><td>5</td><td></td><td>3</td><td>2</td><td>1</td></tr> </table>	80	79	78			75				71	70			67						61	60	59	58	57			54			51	50	49	48	47		45	44			42	41	40	39		37	36		34	33	32		30	29	28	27		25	24	23	22	21	20	19	18						13	12	11		9	8			5		3	2	1				
80	79	78			75				71	70			67						61																																																																									
60	59	58	57			54			51	50	49	48	47		45	44			42	41																																																																								
40	39		37	36		34	33	32		30	29	28	27		25	24	23	22	21																																																																									
20	19	18						13	12	11		9	8			5		3	2	1																																																																								
AVAILABLE	NOT APPLICABLE	34566-7923	0	C	BLUE	<table border="1"> <tr><td></td><td>71</td><td>70</td><td></td><td></td><td>67</td><td></td><td></td><td></td><td>64</td><td></td><td></td><td>61</td><td>60</td><td></td><td></td><td>57</td><td></td><td></td><td>54</td></tr> <tr><td>52</td><td>51</td><td>50</td><td>49</td><td>48</td><td>47</td><td></td><td></td><td>45</td><td>44</td><td></td><td></td><td>41</td><td></td><td></td><td></td><td>37</td><td></td><td></td><td>34</td><td>33</td></tr> <tr><td></td><td></td><td></td><td></td><td></td><td></td><td>32</td><td></td><td></td><td>28</td><td>27</td><td></td><td>25</td><td></td><td></td><td></td><td></td><td></td><td></td><td>18</td><td>17</td></tr> <tr><td></td><td></td><td></td><td></td><td></td><td></td><td>73</td><td></td><td></td><td>16</td><td>15</td><td>14</td><td>13</td><td>12</td><td>11</td><td>10</td><td>9</td><td>8</td><td>7</td><td></td><td></td></tr> </table>		71	70			67				64			61	60			57			54	52	51	50	49	48	47			45	44			41				37			34	33							32			28	27		25							18	17							73			16	15	14	13	12	11	10	9	8	7					
	71	70			67				64			61	60			57			54																																																																									
52	51	50	49	48	47			45	44			41				37			34	33																																																																								
						32			28	27		25							18	17																																																																								
						73			16	15	14	13	12	11	10	9	8	7																																																																										
AVAILABLE	NOT APPLICABLE	34566-7933	0	A	BLACK	<table border="1"> <tr><td>72</td><td>71</td><td>70</td><td>69</td><td>68</td><td></td><td>66</td><td>65</td><td>64</td><td>63</td><td></td><td>61</td><td>60</td><td></td><td></td><td>57</td><td>56</td><td></td><td>54</td><td>53</td></tr> <tr><td>52</td><td>51</td><td>50</td><td>49</td><td>48</td><td></td><td>46</td><td>45</td><td>44</td><td>43</td><td></td><td></td><td>40</td><td>39</td><td>38</td><td>37</td><td>36</td><td></td><td></td><td>34</td><td>33</td></tr> <tr><td></td><td></td><td></td><td></td><td></td><td></td><td>32</td><td>31</td><td>30</td><td>29</td><td>28</td><td></td><td></td><td></td><td></td><td>23</td><td>22</td><td>21</td><td>20</td><td></td><td></td></tr> <tr><td></td><td></td><td></td><td></td><td></td><td></td><td>73</td><td></td><td></td><td></td><td></td><td></td><td></td><td></td><td></td><td>7</td><td>6</td><td>5</td><td>4</td><td></td><td>2</td></tr> </table>	72	71	70	69	68		66	65	64	63		61	60			57	56		54	53	52	51	50	49	48		46	45	44	43			40	39	38	37	36			34	33							32	31	30	29	28					23	22	21	20									73									7	6	5	4		2			
72	71	70	69	68		66	65	64	63		61	60			57	56		54	53																																																																									
52	51	50	49	48		46	45	44	43			40	39	38	37	36			34	33																																																																								
						32	31	30	29	28					23	22	21	20																																																																										
						73									7	6	5	4		2																																																																								
AVAILABLE	NOT APPLICABLE	34566-7943	0	B	ST.GRAY	<table border="1"> <tr><td>72</td><td></td><td></td><td></td><td></td><td></td><td></td><td></td><td></td><td></td><td></td><td>62</td><td>61</td><td>60</td><td>59</td><td></td><td></td><td></td><td>55</td><td></td></tr> <tr><td>52</td><td></td><td></td><td></td><td>48</td><td>47</td><td>46</td><td></td><td></td><td>43</td><td></td><td>41</td><td>40</td><td></td><td></td><td></td><td>38</td><td>37</td><td>36</td><td>35</td><td></td></tr> <tr><td></td><td></td><td></td><td></td><td></td><td></td><td></td><td></td><td>31</td><td>30</td><td></td><td></td><td></td><td></td><td></td><td></td><td>22</td><td>21</td><td>20</td><td>19</td><td>18</td><td>17</td></tr> <tr><td></td><td></td><td></td><td></td><td></td><td></td><td></td><td></td><td>73</td><td></td><td></td><td></td><td></td><td></td><td></td><td></td><td>6</td><td>4</td><td></td><td></td><td></td><td>1</td></tr> </table>	72											62	61	60	59				55		52				48	47	46			43		41	40				38	37	36	35										31	30							22	21	20	19	18	17									73								6	4				1	
72											62	61	60	59				55																																																																										
52				48	47	46			43		41	40				38	37	36	35																																																																									
								31	30							22	21	20	19	18	17																																																																							
								73								6	4				1																																																																							
AVAILABLE	NOT APPLICABLE	34566-7953	0	B	ST.GRAY	<table border="1"> <tr><td>72</td><td></td><td></td><td></td><td></td><td></td><td></td><td></td><td></td><td></td><td></td><td>62</td><td>61</td><td>60</td><td>59</td><td></td><td></td><td></td><td>55</td><td></td></tr> <tr><td>52</td><td></td><td></td><td></td><td>48</td><td>47</td><td>46</td><td></td><td></td><td>43</td><td></td><td>41</td><td>40</td><td></td><td></td><td></td><td>38</td><td>37</td><td>36</td><td>35</td><td></td></tr> <tr><td></td><td></td><td></td><td></td><td></td><td></td><td></td><td></td><td>31</td><td>30</td><td></td><td></td><td></td><td></td><td></td><td></td><td>22</td><td>21</td><td>20</td><td>19</td><td>18</td><td>17</td></tr> <tr><td></td><td></td><td></td><td></td><td></td><td></td><td></td><td></td><td>73</td><td></td><td></td><td></td><td></td><td></td><td></td><td></td><td>6</td><td>4</td><td></td><td></td><td></td><td>2</td></tr> </table>	72											62	61	60	59				55		52				48	47	46			43		41	40				38	37	36	35										31	30							22	21	20	19	18	17									73								6	4				2	
72											62	61	60	59				55																																																																										
52				48	47	46			43		41	40				38	37	36	35																																																																									
								31	30							22	21	20	19	18	17																																																																							
								73								6	4				2																																																																							
AVAILABLE	NOT APPLICABLE	34566-7963	9	A	BLACK	<table border="1"> <tr><td>72</td><td>71</td><td>70</td><td>69</td><td>68</td><td></td><td>66</td><td>65</td><td>64</td><td>63</td><td></td><td>61</td><td>60</td><td></td><td></td><td>57</td><td>56</td><td></td><td>54</td><td>53</td></tr> <tr><td>52</td><td>51</td><td>50</td><td>49</td><td>48</td><td></td><td>46</td><td>45</td><td>44</td><td>43</td><td>42</td><td></td><td>40</td><td>39</td><td>38</td><td>37</td><td>36</td><td></td><td></td><td>34</td><td>33</td></tr> <tr><td></td><td></td><td></td><td></td><td></td><td></td><td>32</td><td>31</td><td>30</td><td>29</td><td>28</td><td></td><td>26</td><td>25</td><td></td><td>23</td><td>22</td><td>21</td><td>20</td><td></td><td></td></tr> <tr><td></td><td></td><td></td><td></td><td></td><td></td><td>73</td><td></td><td></td><td></td><td></td><td></td><td></td><td>9</td><td>7</td><td>6</td><td>5</td><td>4</td><td></td><td></td><td>2</td></tr> </table>	72	71	70	69	68		66	65	64	63		61	60			57	56		54	53	52	51	50	49	48		46	45	44	43	42		40	39	38	37	36			34	33							32	31	30	29	28		26	25		23	22	21	20									73							9	7	6	5	4			2			
72	71	70	69	68		66	65	64	63		61	60			57	56		54	53																																																																									
52	51	50	49	48		46	45	44	43	42		40	39	38	37	36			34	33																																																																								
						32	31	30	29	28		26	25		23	22	21	20																																																																										
						73							9	7	6	5	4			2																																																																								
AVAILABLE	NOT APPLICABLE	34566-7973	9	B	ST.GRAY	<table border="1"> <tr><td>72</td><td></td><td></td><td></td><td></td><td></td><td></td><td></td><td></td><td></td><td></td><td>62</td><td>61</td><td>60</td><td>59</td><td></td><td></td><td></td><td>55</td><td></td></tr> <tr><td>52</td><td></td><td>50</td><td>49</td><td>48</td><td>47</td><td>46</td><td>45</td><td></td><td>43</td><td></td><td>41</td><td>40</td><td></td><td></td><td></td><td>38</td><td>37</td><td>36</td><td>35</td><td>34</td></tr> <tr><td></td><td></td><td></td><td></td><td></td><td></td><td></td><td></td><td>30</td><td>29</td><td></td><td></td><td></td><td></td><td></td><td></td><td>22</td><td>21</td><td>20</td><td>19</td><td>18</td><td>17</td></tr> <tr><td></td><td></td><td></td><td></td><td></td><td></td><td></td><td></td><td>73</td><td></td><td></td><td></td><td></td><td></td><td></td><td></td><td>6</td><td>4</td><td></td><td></td><td></td><td>1</td></tr> </table>	72											62	61	60	59				55		52		50	49	48	47	46	45		43		41	40				38	37	36	35	34									30	29							22	21	20	19	18	17									73								6	4				1	
72											62	61	60	59				55																																																																										
52		50	49	48	47	46	45		43		41	40				38	37	36	35	34																																																																								
								30	29							22	21	20	19	18	17																																																																							
								73								6	4				1																																																																							
AVAILABLE	NOT APPLICABLE	34566-7983	9	B	ST.GRAY	<table border="1"> <tr><td>72</td><td></td><td></td><td></td><td></td><td></td><td></td><td></td><td></td><td></td><td></td><td>62</td><td>61</td><td>60</td><td>59</td><td></td><td></td><td></td><td>55</td><td></td></tr> <tr><td>52</td><td></td><td>50</td><td>49</td><td>48</td><td>47</td><td>46</td><td>45</td><td></td><td>43</td><td></td><td>41</td><td>40</td><td></td><td></td><td></td><td>38</td><td>37</td><td>36</td><td>35</td><td>34</td><td>33</td></tr> <tr><td></td><td></td><td></td><td></td><td></td><td></td><td></td><td></td><td>30</td><td>29</td><td></td><td></td><td></td><td></td><td></td><td></td><td>22</td><td>21</td><td>20</td><td>19</td><td>18</td><td>17</td></tr> <tr><td></td><td></td><td></td><td></td><td></td><td></td><td></td><td></td><td>73</td><td></td><td></td><td></td><td></td><td></td><td></td><td></td><td>6</td><td>4</td><td></td><td></td><td></td><td></td></tr> </table>	72											62	61	60	59				55		52		50	49	48	47	46	45		43		41	40				38	37	36	35	34	33									30	29							22	21	20	19	18	17									73								6	4				
72											62	61	60	59				55																																																																										
52		50	49	48	47	46	45		43		41	40				38	37	36	35	34	33																																																																							
								30	29							22	21	20	19	18	17																																																																							
								73								6	4																																																																											
AVAILABLE	NOT APPLICABLE	34566-7993	9	C	BLUE	<table border="1"> <tr><td></td><td></td><td>70</td><td>69</td><td></td><td>67</td><td>66</td><td></td><td>64</td><td></td><td></td><td>61</td><td>60</td><td></td><td></td><td>57</td><td></td><td></td><td>54</td><td></td></tr> <tr><td>52</td><td>51</td><td>50</td><td>49</td><td>48</td><td>47</td><td>46</td><td>45</td><td>44</td><td></td><td></td><td>41</td><td></td><td></td><td></td><td>37</td><td></td><td></td><td>34</td><td>33</td></tr> <tr><td></td><td></td><td></td><td></td><td></td><td></td><td></td><td></td><td></td><td></td><td></td><td>28</td><td>27</td><td></td><td>25</td><td></td><td></td><td></td><td></td><td>18</td><td>17</td></tr> <tr><td></td><td></td><td></td><td></td><td></td><td></td><td></td><td></td><td></td><td></td><td></td><td>73</td><td></td><td></td><td></td><td></td><td></td><td></td><td></td><td></td><td></td><td></td></tr> </table>			70	69		67	66		64			61	60			57			54		52	51	50	49	48	47	46	45	44			41				37			34	33												28	27		25					18	17												73													
		70	69		67	66		64			61	60			57			54																																																																										
52	51	50	49	48	47	46	45	44			41				37			34	33																																																																									
											28	27		25					18	17																																																																								
											73																																																																																	

QUALITY SYMBOLS = 0 = 0 = 0 = 0 = 0 = 0 = 0 = 0 = 0	THIS DRAWING CONTAINS INFORMATION THAT IS PROPRIETARY TO MOLEX ELECTRONIC TECHNOLOGIES, LLC AND SHOULD NOT BE USED WITHOUT WRITTEN PERMISSION										
	2017/03/27	2017/03/30	GENERAL TOLERANCES (UNLESS SPECIFIED)		DIMENSION UNITS	SCALE					
	EC NO: 115012	DRWN: TYE	CHKD:	APPR: JDENG02	MM	1:1					
	ANGULAR TOL ± °		DRWN BY	DATE	SKRAJENDRANA 2011/02/14						
	4 PLACES ±		CHKD BY	DATE	MVANSLAMBROU 2011/02/14						
	3 PLACES ±		APPR BY	DATE							
	2 PLACES ±		DRAWING SIZE	THIRD ANGLE PROJECTION							
	1 PLACE ±		D								
	0 PLACES ±		DRAFT WHERE APPLICABLE MUST REMAIN WITHIN DIMENSIONS								
	G49		SERIES		MATERIAL NUMBER						CUSTOMER
		34566		SEE BOM TABLE		GENERAL MARKET					
		DOCUMENT NUMBER		DOC TYPE		DOC PART SHEET NUMBER					
		SD-34566-001		PSD		000 87 OF 92					

STATUS	GM PART #	MATERIAL #	WIRE DRESS OPTION	KEY OPTION	COLOR (TPA)	NUMBERS INDICATE CAVITIES OPEN FOR CIRCUITS F _P																																																																																				
AVAILABLE	NOT APPLICABLE	34566-8013	9	C	BLUE	<table border="1"> <tr><td></td><td>71</td><td></td><td></td><td></td><td>67</td><td>65</td><td>64</td><td></td><td></td><td>61</td><td>60</td><td>59</td><td></td><td>57</td><td></td><td></td><td>54</td></tr> <tr><td>52</td><td>51</td><td>50</td><td></td><td>48</td><td>47</td><td>45</td><td>44</td><td></td><td></td><td>41</td><td></td><td>39</td><td></td><td>37</td><td></td><td></td><td>34</td><td>33</td></tr> <tr><td></td><td></td><td></td><td></td><td>32</td><td></td><td></td><td>28</td><td>27</td><td></td><td>25</td><td></td><td>23</td><td></td><td></td><td></td><td></td><td>18</td><td></td></tr> <tr><td></td><td></td><td></td><td></td><td>16</td><td>15</td><td>14</td><td>13</td><td>12</td><td>11</td><td>10</td><td>9</td><td>8</td><td>7</td><td></td><td></td><td></td><td></td><td></td></tr> </table>		71				67	65	64			61	60	59		57			54	52	51	50		48	47	45	44			41		39		37			34	33					32			28	27		25		23					18						16	15	14	13	12	11	10	9	8	7														
	71				67	65	64			61	60	59		57			54																																																																									
52	51	50		48	47	45	44			41		39		37			34	33																																																																								
				32			28	27		25		23					18																																																																									
				16	15	14	13	12	11	10	9	8	7																																																																													
AVAILABLE	TBD	34822-0173	9	A	BLACK	<table border="1"> <tr><td>64</td><td></td><td></td><td></td><td></td><td></td><td>58</td><td>57</td><td>56</td><td>55</td><td>54</td><td></td><td>52</td><td></td><td>50</td><td></td><td></td><td></td><td>66</td></tr> <tr><td>48</td><td></td><td>46</td><td>45</td><td>44</td><td>43</td><td>42</td><td>41</td><td>40</td><td></td><td></td><td></td><td>36</td><td></td><td>34</td><td></td><td></td><td></td><td></td></tr> <tr><td></td><td></td><td></td><td></td><td>32</td><td>31</td><td>30</td><td>29</td><td></td><td></td><td>27</td><td>26</td><td></td><td>24</td><td>23</td><td></td><td></td><td></td><td></td></tr> <tr><td></td><td></td><td></td><td></td><td>16</td><td></td><td></td><td></td><td></td><td>12</td><td>11</td><td>10</td><td>9</td><td></td><td></td><td>6</td><td>5</td><td>4</td><td></td></tr> </table>	64						58	57	56	55	54		52		50				66	48		46	45	44	43	42	41	40				36		34									32	31	30	29			27	26		24	23									16					12	11	10	9			6	5	4									
64						58	57	56	55	54		52		50				66																																																																								
48		46	45	44	43	42	41	40				36		34																																																																												
				32	31	30	29			27	26		24	23																																																																												
				16					12	11	10	9			6	5	4																																																																									
AVAILABLE	NOT APPLICABLE	34566-8023	9	C	BLUE	<table border="1"> <tr><td>72</td><td></td><td></td><td>69</td><td>68</td><td></td><td></td><td></td><td></td><td></td><td>63</td><td>62</td><td></td><td></td><td>59</td><td></td><td></td><td>56</td><td>55</td><td>53</td></tr> <tr><td></td><td></td><td></td><td></td><td></td><td></td><td></td><td>46</td><td></td><td></td><td>43</td><td>42</td><td></td><td>40</td><td>39</td><td></td><td></td><td>36</td><td>35</td><td></td></tr> <tr><td></td><td></td><td></td><td></td><td></td><td></td><td></td><td>31</td><td>30</td><td>29</td><td></td><td>26</td><td></td><td>24</td><td>23</td><td></td><td>22</td><td>21</td><td>20</td><td>19</td></tr> <tr><td></td><td></td><td></td><td></td><td></td><td></td><td></td><td></td><td></td><td></td><td></td><td></td><td></td><td>8</td><td>7</td><td>6</td><td>5</td><td>4</td><td>3</td><td>2</td><td>1</td></tr> </table>	72			69	68						63	62			59			56	55	53								46			43	42		40	39			36	35									31	30	29		26		24	23		22	21	20	19														8	7	6	5	4	3	2	1			
72			69	68						63	62			59			56	55	53																																																																							
							46			43	42		40	39			36	35																																																																								
							31	30	29		26		24	23		22	21	20	19																																																																							
													8	7	6	5	4	3	2	1																																																																						
AVAILABLE	NOT APPLICABLE	34566-8033	9	B	ST.GRAY	<table border="1"> <tr><td>71</td><td>70</td><td>69</td><td></td><td>67</td><td>66</td><td>65</td><td>64</td><td>63</td><td></td><td></td><td></td><td></td><td></td><td>58</td><td>57</td><td>56</td><td></td><td>54</td></tr> <tr><td>51</td><td>50</td><td>49</td><td></td><td></td><td></td><td>45</td><td></td><td></td><td></td><td>42</td><td></td><td></td><td></td><td>39</td><td></td><td></td><td></td><td>34</td><td>33</td></tr> <tr><td></td><td></td><td></td><td></td><td>32</td><td>31</td><td></td><td>29</td><td>28</td><td>27</td><td>26</td><td>25</td><td>24</td><td>23</td><td></td><td></td><td></td><td></td><td></td><td></td></tr> <tr><td></td><td></td><td></td><td></td><td></td><td></td><td></td><td>13</td><td>12</td><td>11</td><td>10</td><td>9</td><td></td><td>7</td><td></td><td>5</td><td></td><td>3</td><td>2</td><td></td></tr> </table>	71	70	69		67	66	65	64	63						58	57	56		54	51	50	49				45				42				39				34	33					32	31		29	28	27	26	25	24	23														13	12	11	10	9		7		5		3	2						
71	70	69		67	66	65	64	63						58	57	56		54																																																																								
51	50	49				45				42				39				34	33																																																																							
				32	31		29	28	27	26	25	24	23																																																																													
							13	12	11	10	9		7		5		3	2																																																																								
AVAILABLE	NOT APPLICABLE	34566-8043	9	A	BLACK	<table border="1"> <tr><td></td><td></td><td></td><td></td><td></td><td>67</td><td></td><td></td><td></td><td></td><td>62</td><td>61</td><td></td><td></td><td>59</td><td>58</td><td></td><td></td><td>55</td><td>53</td></tr> <tr><td></td><td></td><td></td><td></td><td></td><td>47</td><td></td><td></td><td></td><td></td><td>42</td><td></td><td></td><td></td><td></td><td></td><td></td><td></td><td>35</td><td>33</td></tr> <tr><td></td><td></td><td></td><td></td><td></td><td></td><td></td><td></td><td></td><td></td><td>27</td><td>26</td><td>25</td><td>24</td><td></td><td></td><td></td><td>20</td><td>19</td><td>18</td><td>17</td></tr> <tr><td></td><td></td><td></td><td></td><td></td><td>16</td><td></td><td></td><td></td><td></td><td>11</td><td>10</td><td>9</td><td>8</td><td></td><td></td><td></td><td>4</td><td>3</td><td></td><td>1</td></tr> </table>						67					62	61			59	58			55	53						47					42								35	33											27	26	25	24				20	19	18	17						16					11	10	9	8				4	3		1		
					67					62	61			59	58			55	53																																																																							
					47					42								35	33																																																																							
										27	26	25	24				20	19	18	17																																																																						
					16					11	10	9	8				4	3		1																																																																						
AVAILABLE	NOT APPLICABLE	34566-8053	9	A	BLACK	<table border="1"> <tr><td>72</td><td></td><td></td><td></td><td>68</td><td>67</td><td>66</td><td></td><td></td><td></td><td></td><td></td><td></td><td></td><td>59</td><td></td><td></td><td></td><td></td><td></td></tr> <tr><td></td><td></td><td></td><td></td><td></td><td></td><td>46</td><td></td><td></td><td></td><td></td><td></td><td></td><td>40</td><td></td><td>38</td><td></td><td></td><td>35</td><td>33</td></tr> <tr><td></td><td></td><td></td><td></td><td></td><td></td><td>31</td><td></td><td></td><td></td><td></td><td></td><td>25</td><td></td><td>23</td><td>22</td><td>21</td><td>20</td><td>19</td><td>17</td></tr> <tr><td></td><td></td><td></td><td></td><td></td><td></td><td></td><td></td><td></td><td></td><td></td><td></td><td>9</td><td>8</td><td>7</td><td>6</td><td>5</td><td>4</td><td></td><td>2</td><td>1</td></tr> </table>	72				68	67	66								59												46							40		38			35	33							31						25		23	22	21	20	19	17													9	8	7	6	5	4		2	1			
72				68	67	66								59																																																																												
						46							40		38			35	33																																																																							
						31						25		23	22	21	20	19	17																																																																							
												9	8	7	6	5	4		2	1																																																																						
AVAILABLE	NOT APPLICABLE	34566-8063	9	C	BLUE	<table border="1"> <tr><td>71</td><td></td><td>69</td><td></td><td></td><td></td><td>65</td><td>64</td><td></td><td></td><td>61</td><td>60</td><td></td><td></td><td>58</td><td></td><td>56</td><td>55</td><td>54</td></tr> <tr><td></td><td></td><td>50</td><td></td><td></td><td></td><td>45</td><td></td><td>43</td><td>42</td><td></td><td></td><td></td><td></td><td>38</td><td></td><td></td><td>35</td><td></td></tr> <tr><td></td><td></td><td></td><td></td><td></td><td></td><td>31</td><td></td><td>29</td><td>28</td><td></td><td></td><td></td><td></td><td>23</td><td></td><td></td><td>19</td><td>18</td><td>17</td></tr> <tr><td></td><td></td><td></td><td></td><td></td><td></td><td>16</td><td></td><td></td><td>12</td><td>11</td><td></td><td></td><td></td><td>7</td><td></td><td></td><td>3</td><td></td><td>1</td></tr> </table>	71		69				65	64			61	60			58		56	55	54			50				45		43	42					38			35								31		29	28					23			19	18	17							16			12	11				7			3		1						
71		69				65	64			61	60			58		56	55	54																																																																								
		50				45		43	42					38			35																																																																									
						31		29	28					23			19	18	17																																																																							
						16			12	11				7			3		1																																																																							
AVAILABLE	NOT APPLICABLE	34566-8073	9	B	ST.GRAY	<table border="1"> <tr><td></td><td></td><td>69</td><td></td><td></td><td></td><td>65</td><td>64</td><td>63</td><td></td><td></td><td></td><td></td><td></td><td></td><td></td><td></td><td></td><td></td><td></td></tr> <tr><td></td><td></td><td>49</td><td></td><td></td><td></td><td>45</td><td>44</td><td>43</td><td></td><td></td><td></td><td></td><td></td><td></td><td></td><td></td><td></td><td></td><td></td></tr> <tr><td></td><td></td><td></td><td></td><td></td><td></td><td></td><td></td><td></td><td></td><td></td><td></td><td></td><td></td><td>23</td><td>22</td><td>21</td><td>20</td><td>19</td><td></td></tr> <tr><td></td><td></td><td></td><td></td><td></td><td></td><td></td><td></td><td></td><td></td><td></td><td></td><td></td><td></td><td>12</td><td>11</td><td>9</td><td>7</td><td>6</td><td>5</td><td>4</td></tr> </table>			69				65	64	63														49				45	44	43																										23	22	21	20	19																12	11	9	7	6	5	4			
		69				65	64	63																																																																																		
		49				45	44	43																																																																																		
														23	22	21	20	19																																																																								
														12	11	9	7	6	5	4																																																																						
AVAILABLE	NOT APPLICABLE	34566-8083	9	B	ST.GRAY	<table border="1"> <tr><td></td><td></td><td></td><td></td><td></td><td></td><td></td><td></td><td></td><td></td><td>62</td><td></td><td></td><td></td><td>59</td><td>58</td><td></td><td></td><td></td><td>54</td><td>53</td></tr> <tr><td></td><td></td><td></td><td></td><td></td><td></td><td></td><td></td><td></td><td></td><td>42</td><td></td><td></td><td></td><td>39</td><td></td><td></td><td></td><td></td><td></td><td></td></tr> <tr><td></td><td></td><td></td><td></td><td></td><td></td><td></td><td></td><td></td><td></td><td>27</td><td></td><td></td><td></td><td></td><td></td><td></td><td></td><td></td><td></td><td></td></tr> <tr><td></td><td></td><td></td><td></td><td></td><td></td><td></td><td></td><td></td><td></td><td>10</td><td>9</td><td></td><td></td><td></td><td></td><td></td><td></td><td></td><td></td><td></td></tr> </table>											62				59	58				54	53											42				39																	27																					10	9									
										62				59	58				54	53																																																																						
										42				39																																																																												
										27																																																																																
										10	9																																																																															
AVAILABLE	NOT APPLICABLE	34566-8093	9	A	BLACK	<table border="1"> <tr><td>71</td><td></td><td>69</td><td>68</td><td></td><td>66</td><td>65</td><td>64</td><td></td><td></td><td>62</td><td>61</td><td></td><td></td><td></td><td></td><td></td><td></td><td>54</td><td>53</td></tr> <tr><td></td><td></td><td>50</td><td>49</td><td></td><td></td><td>45</td><td>44</td><td></td><td></td><td></td><td>41</td><td></td><td></td><td></td><td></td><td></td><td></td><td>34</td><td>33</td></tr> <tr><td></td><td></td><td></td><td></td><td></td><td></td><td>32</td><td>31</td><td>30</td><td>29</td><td></td><td>26</td><td>25</td><td>24</td><td>23</td><td></td><td></td><td>20</td><td>19</td><td></td></tr> <tr><td></td><td></td><td></td><td></td><td></td><td></td><td>16</td><td>15</td><td>14</td><td>13</td><td></td><td>10</td><td>8</td><td></td><td>6</td><td></td><td>4</td><td>3</td><td></td><td></td></tr> </table>	71		69	68		66	65	64			62	61							54	53			50	49			45	44				41							34	33							32	31	30	29		26	25	24	23			20	19								16	15	14	13		10	8		6		4	3						
71		69	68		66	65	64			62	61							54	53																																																																							
		50	49			45	44				41							34	33																																																																							
						32	31	30	29		26	25	24	23			20	19																																																																								
						16	15	14	13		10	8		6		4	3																																																																									
AVAILABLE	NOT APPLICABLE	34566-8113	9	C	BLUE	<table border="1"> <tr><td></td><td></td><td></td><td></td><td>68</td><td></td><td></td><td></td><td></td><td></td><td>63</td><td>62</td><td>61</td><td>60</td><td>59</td><td>58</td><td>57</td><td></td><td>55</td><td>53</td></tr> <tr><td></td><td></td><td></td><td></td><td>48</td><td></td><td></td><td></td><td></td><td></td><td>43</td><td>42</td><td>41</td><td>40</td><td></td><td></td><td></td><td>37</td><td>36</td><td>35</td><td>33</td></tr> <tr><td></td><td></td><td></td><td></td><td>32</td><td></td><td></td><td></td><td></td><td></td><td>27</td><td></td><td></td><td>24</td><td></td><td></td><td></td><td>20</td><td>19</td><td>18</td><td></td></tr> <tr><td></td><td></td><td></td><td></td><td></td><td></td><td></td><td></td><td></td><td></td><td>11</td><td>10</td><td></td><td>8</td><td></td><td></td><td>5</td><td>4</td><td>3</td><td>2</td><td>1</td></tr> </table>					68						63	62	61	60	59	58	57		55	53					48						43	42	41	40				37	36	35	33					32						27			24				20	19	18												11	10		8			5	4	3	2	1	
				68						63	62	61	60	59	58	57		55	53																																																																							
				48						43	42	41	40				37	36	35	33																																																																						
				32						27			24				20	19	18																																																																							
										11	10		8			5	4	3	2	1																																																																						

QUALITY SYMBOLS = 0 = 0 = 0 = 0 = 0 = 0 = 0 = 0 = 0	THIS DRAWING CONTAINS INFORMATION THAT IS PROPRIETARY TO MOLEX ELECTRONIC TECHNOLOGIES, LLC AND SHOULD NOT BE USED WITHOUT WRITTEN PERMISSION														
	EC NO: 115012	DRWN: TYE	CHKD: JDENG02	REV: APPR: JDENG02	2017/03/27	2017/03/30	GENERAL TOLERANCES (UNLESS SPECIFIED)		DIMENSION UNITS	SCALE	 MX123 66/73/80CKT HRNS CONN ASSY PRODUCT CUSTOMER DRAWING				
	4 PLACES ±		3 PLACES ±		2 PLACES ±		1 PLACE ±		0 PLACES ±				DRAWN BY	DATE	
	3 PLACES ±		2 PLACES ±		1 PLACE ±		0 PLACES ±		DRAFT WHERE APPLICABLE MUST REMAIN WITHIN DIMENSIONS				SKRAJENDRANA	2011/02/14	
	3 PLACES ±		2 PLACES ±		1 PLACE ±		0 PLACES ±		DRAFT WHERE APPLICABLE MUST REMAIN WITHIN DIMENSIONS				CHKD BY	DATE	
	3 PLACES ±		2 PLACES ±		1 PLACE ±		0 PLACES ±		DRAFT WHERE APPLICABLE MUST REMAIN WITHIN DIMENSIONS				MVANSLAMBROU	2011/02/14	
	3 PLACES ±		2 PLACES ±		1 PLACE ±		0 PLACES ±		DRAFT WHERE APPLICABLE MUST REMAIN WITHIN DIMENSIONS				APPR BY	DATE	
	3 PLACES ±		2 PLACES ±		1 PLACE ±		0 PLACES ±		DRAFT WHERE APPLICABLE MUST REMAIN WITHIN DIMENSIONS				DRAWING SIZE		THIRD ANGLE PROJECTION
	3 PLACES ±		2 PLACES ±		1 PLACE ±		0 PLACES ±		DRAFT WHERE APPLICABLE MUST REMAIN WITHIN DIMENSIONS				D		
	3 PLACES ±		2 PLACES ±		1 PLACE ±		0 PLACES ±		DRAFT WHERE APPLICABLE MUST REMAIN WITHIN DIMENSIONS				SERIES		MATERIAL NUMBER
3 PLACES ±		2 PLACES ±		1 PLACE ±		0 PLACES ±		DRAFT WHERE APPLICABLE MUST REMAIN WITHIN DIMENSIONS		34566			SEE BOM TABLE	GENERAL MARKET	
3 PLACES ±		2 PLACES ±		1 PLACE ±		0 PLACES ±		DRAFT WHERE APPLICABLE MUST REMAIN WITHIN DIMENSIONS		DOCUMENT NUMBER		DOC TYPE	DOC PART	SHEET NUMBER	
3 PLACES ±		2 PLACES ±		1 PLACE ±		0 PLACES ±		DRAFT WHERE APPLICABLE MUST REMAIN WITHIN DIMENSIONS		SD-34566-001		PSD	000	88 OF 92	

STATUS	GM PART #	MATERIAL #	WIRE DRESS OPTION	KEY OPTION	COLOR (TPA)	NUMBERS INDICATE CAVITIES OPEN FOR CIRCUITS																																																																																				
AVAILABLE	NOT APPLICABLE	34566-8333	9	A	BLACK	<table border="1"> <tr><td></td><td>71</td><td>70</td><td>69</td><td>68</td><td>67</td><td>66</td><td>65</td><td></td><td>63</td><td></td><td>60</td><td>58</td><td></td><td></td><td></td><td>53</td></tr> <tr><td></td><td></td><td>50</td><td>49</td><td>48</td><td>47</td><td></td><td></td><td>44</td><td></td><td>42</td><td>41</td><td></td><td>39</td><td>38</td><td></td><td>36</td><td></td><td>33</td></tr> <tr><td></td><td colspan="2">73</td><td></td><td></td><td>31</td><td></td><td></td><td>28</td><td></td><td>26</td><td></td><td>24</td><td>23</td><td>22</td><td>21</td><td></td><td>19</td><td>18</td><td>17</td></tr> <tr><td></td><td></td><td></td><td></td><td></td><td></td><td>14</td><td></td><td>12</td><td></td><td></td><td></td><td>8</td><td>7</td><td>6</td><td>5</td><td></td><td>3</td><td>2</td><td>1</td></tr> </table>		71	70	69	68	67	66	65		63		60	58				53			50	49	48	47			44		42	41		39	38		36		33		73				31			28		26		24	23	22	21		19	18	17							14		12				8	7	6	5		3	2	1								
	71	70	69	68	67	66	65		63		60	58				53																																																																										
		50	49	48	47			44		42	41		39	38		36		33																																																																								
	73				31			28		26		24	23	22	21		19	18	17																																																																							
						14		12				8	7	6	5		3	2	1																																																																							
AVAILABLE	NOT APPLICABLE	34566-8343	9	A	BLACK	<table border="1"> <tr><td></td><td>71</td><td>70</td><td>69</td><td>68</td><td>67</td><td>66</td><td>65</td><td></td><td>63</td><td></td><td>60</td><td>59</td><td></td><td></td><td></td><td></td><td></td><td></td><td></td></tr> <tr><td></td><td></td><td>50</td><td>49</td><td></td><td>47</td><td></td><td></td><td>44</td><td></td><td>42</td><td></td><td></td><td>39</td><td>38</td><td></td><td>36</td><td>35</td><td>34</td><td>33</td></tr> <tr><td></td><td colspan="2">73</td><td></td><td></td><td>31</td><td></td><td></td><td>28</td><td></td><td>26</td><td></td><td>24</td><td>23</td><td>22</td><td>21</td><td></td><td>19</td><td>18</td><td>17</td></tr> <tr><td></td><td></td><td></td><td></td><td></td><td></td><td>14</td><td></td><td>12</td><td></td><td></td><td></td><td>8</td><td>7</td><td>6</td><td>5</td><td></td><td></td><td>2</td><td>1</td></tr> </table>		71	70	69	68	67	66	65		63		60	59										50	49		47			44		42			39	38		36	35	34	33		73				31			28		26		24	23	22	21		19	18	17							14		12				8	7	6	5			2	1				
	71	70	69	68	67	66	65		63		60	59																																																																														
		50	49		47			44		42			39	38		36	35	34	33																																																																							
	73				31			28		26		24	23	22	21		19	18	17																																																																							
						14		12				8	7	6	5			2	1																																																																							
AVAILABLE	NOT APPLICABLE	34566-8353	9	A	BLACK	<table border="1"> <tr><td>72</td><td></td><td></td><td></td><td></td><td></td><td></td><td></td><td></td><td>64</td><td></td><td>62</td><td>61</td><td></td><td></td><td></td><td>57</td><td>56</td><td>55</td><td>54</td><td>53</td></tr> <tr><td>52</td><td>51</td><td></td><td></td><td></td><td></td><td></td><td></td><td>46</td><td>45</td><td></td><td>43</td><td>41</td><td>40</td><td></td><td></td><td>37</td><td></td><td></td><td></td><td></td></tr> <tr><td colspan="2">73</td><td></td><td></td><td></td><td>32</td><td></td><td>30</td><td>29</td><td>27</td><td></td><td>25</td><td></td><td></td><td></td><td></td><td></td><td>20</td><td></td><td></td><td></td></tr> <tr><td></td><td></td><td></td><td></td><td></td><td>16</td><td>15</td><td></td><td>13</td><td></td><td>11</td><td>10</td><td>9</td><td></td><td></td><td></td><td></td><td>4</td><td></td><td></td><td></td></tr> </table>	72									64		62	61				57	56	55	54	53	52	51							46	45		43	41	40			37					73					32		30	29	27		25						20									16	15		13		11	10	9					4			
72									64		62	61				57	56	55	54	53																																																																						
52	51							46	45		43	41	40			37																																																																										
73					32		30	29	27		25						20																																																																									
					16	15		13		11	10	9					4																																																																									
AVAILABLE	NOT APPLICABLE	34566-8363	9	A	BLACK	<table border="1"> <tr><td>72</td><td></td><td></td><td></td><td></td><td>68</td><td></td><td></td><td></td><td>64</td><td></td><td>62</td><td>61</td><td></td><td></td><td></td><td>57</td><td>56</td><td>55</td><td>54</td><td>53</td></tr> <tr><td>52</td><td>51</td><td></td><td></td><td></td><td></td><td></td><td></td><td>46</td><td>45</td><td></td><td>43</td><td></td><td>40</td><td></td><td></td><td>37</td><td></td><td></td><td></td><td></td></tr> <tr><td colspan="2">73</td><td></td><td></td><td></td><td>32</td><td></td><td>30</td><td>29</td><td>27</td><td></td><td>25</td><td></td><td></td><td></td><td></td><td></td><td>20</td><td></td><td></td><td></td></tr> <tr><td></td><td></td><td></td><td></td><td></td><td>16</td><td>15</td><td>14</td><td>13</td><td></td><td>11</td><td>10</td><td>9</td><td></td><td></td><td></td><td>5</td><td>4</td><td></td><td></td><td></td></tr> </table>	72					68				64		62	61				57	56	55	54	53	52	51							46	45		43		40			37					73					32		30	29	27		25						20									16	15	14	13		11	10	9				5	4			
72					68				64		62	61				57	56	55	54	53																																																																						
52	51							46	45		43		40			37																																																																										
73					32		30	29	27		25						20																																																																									
					16	15	14	13		11	10	9				5	4																																																																									
AVAILABLE	NOT APPLICABLE	34566-8373	9	A	BLACK	<table border="1"> <tr><td>72</td><td></td><td></td><td></td><td></td><td></td><td></td><td></td><td></td><td>64</td><td></td><td>62</td><td>61</td><td></td><td>59</td><td>58</td><td>57</td><td>56</td><td>55</td><td>54</td><td></td></tr> <tr><td>52</td><td>51</td><td></td><td></td><td></td><td>48</td><td></td><td>46</td><td>45</td><td></td><td>43</td><td>41</td><td>40</td><td></td><td></td><td></td><td>37</td><td></td><td>35</td><td>34</td><td></td></tr> <tr><td colspan="2">73</td><td></td><td></td><td></td><td>32</td><td></td><td>30</td><td>29</td><td>27</td><td></td><td>25</td><td></td><td></td><td></td><td></td><td></td><td>20</td><td></td><td></td><td></td></tr> <tr><td></td><td></td><td></td><td></td><td></td><td>16</td><td>15</td><td></td><td>13</td><td></td><td>11</td><td>10</td><td>9</td><td></td><td></td><td></td><td></td><td>4</td><td>3</td><td></td><td></td></tr> </table>	72									64		62	61		59	58	57	56	55	54		52	51				48		46	45		43	41	40				37		35	34		73					32		30	29	27		25						20									16	15		13		11	10	9					4	3		
72									64		62	61		59	58	57	56	55	54																																																																							
52	51				48		46	45		43	41	40				37		35	34																																																																							
73					32		30	29	27		25						20																																																																									
					16	15		13		11	10	9					4	3																																																																								
AVAILABLE	NOT APPLICABLE	34566-8383	9	A	BLACK	<table border="1"> <tr><td>72</td><td></td><td></td><td></td><td></td><td></td><td></td><td></td><td></td><td>64</td><td></td><td>62</td><td>61</td><td></td><td>59</td><td></td><td>57</td><td>56</td><td>55</td><td>54</td><td></td></tr> <tr><td>52</td><td>51</td><td></td><td></td><td></td><td></td><td></td><td></td><td>46</td><td>45</td><td></td><td>43</td><td></td><td>40</td><td></td><td></td><td>37</td><td></td><td>35</td><td>34</td><td></td></tr> <tr><td colspan="2">73</td><td></td><td></td><td></td><td>32</td><td></td><td>30</td><td>29</td><td>27</td><td></td><td>25</td><td></td><td></td><td></td><td></td><td></td><td>20</td><td></td><td></td><td></td></tr> <tr><td></td><td></td><td></td><td></td><td></td><td>16</td><td>15</td><td></td><td>13</td><td></td><td>11</td><td>10</td><td>9</td><td></td><td></td><td></td><td></td><td>4</td><td></td><td></td><td></td></tr> </table>	72									64		62	61		59		57	56	55	54		52	51							46	45		43		40			37		35	34		73					32		30	29	27		25						20									16	15		13		11	10	9					4			
72									64		62	61		59		57	56	55	54																																																																							
52	51							46	45		43		40			37		35	34																																																																							
73					32		30	29	27		25						20																																																																									
					16	15		13		11	10	9					4																																																																									
AVAILABLE	NOT APPLICABLE	34566-8393	0	A	BLACK	<table border="1"> <tr><td>72</td><td></td><td>70</td><td></td><td></td><td></td><td></td><td></td><td></td><td></td><td>63</td><td>62</td><td></td><td></td><td></td><td></td><td></td><td>56</td><td>55</td><td>54</td><td>53</td></tr> <tr><td>52</td><td>51</td><td></td><td>49</td><td>48</td><td></td><td></td><td></td><td></td><td></td><td>43</td><td></td><td></td><td></td><td></td><td></td><td></td><td>36</td><td>35</td><td>34</td><td>33</td></tr> <tr><td colspan="2">73</td><td></td><td></td><td></td><td>31</td><td>30</td><td>29</td><td>28</td><td>27</td><td></td><td></td><td>24</td><td>23</td><td>22</td><td>21</td><td>20</td><td>19</td><td>18</td><td>17</td><td></td></tr> <tr><td></td><td></td><td></td><td></td><td></td><td>16</td><td>15</td><td>14</td><td>13</td><td>12</td><td></td><td>10</td><td>9</td><td>8</td><td>7</td><td>6</td><td></td><td></td><td>3</td><td>2</td><td>1</td></tr> </table>	72		70								63	62						56	55	54	53	52	51		49	48						43							36	35	34	33	73					31	30	29	28	27			24	23	22	21	20	19	18	17							16	15	14	13	12		10	9	8	7	6			3	2	1
72		70								63	62						56	55	54	53																																																																						
52	51		49	48						43							36	35	34	33																																																																						
73					31	30	29	28	27			24	23	22	21	20	19	18	17																																																																							
					16	15	14	13	12		10	9	8	7	6			3	2	1																																																																						
AVAILABLE	NOT APPLICABLE	34566-8413	0	A	BLACK	<table border="1"> <tr><td>72</td><td></td><td>70</td><td></td><td></td><td></td><td></td><td></td><td></td><td></td><td>63</td><td>62</td><td></td><td></td><td></td><td></td><td></td><td>56</td><td>55</td><td>54</td><td>53</td></tr> <tr><td>52</td><td>51</td><td></td><td>49</td><td>48</td><td></td><td></td><td></td><td></td><td></td><td>43</td><td></td><td></td><td></td><td></td><td></td><td></td><td>36</td><td>35</td><td>34</td><td>33</td></tr> <tr><td colspan="2">73</td><td></td><td></td><td></td><td>31</td><td>30</td><td>29</td><td>28</td><td>27</td><td></td><td></td><td>24</td><td>23</td><td>22</td><td>21</td><td>20</td><td>19</td><td>18</td><td>17</td><td></td></tr> <tr><td></td><td></td><td></td><td></td><td></td><td>16</td><td>15</td><td>14</td><td>13</td><td>12</td><td></td><td>10</td><td>9</td><td>8</td><td>7</td><td>6</td><td></td><td></td><td>3</td><td>2</td><td>1</td></tr> </table>	72		70								63	62						56	55	54	53	52	51		49	48						43							36	35	34	33	73					31	30	29	28	27			24	23	22	21	20	19	18	17							16	15	14	13	12		10	9	8	7	6			3	2	1
72		70								63	62						56	55	54	53																																																																						
52	51		49	48						43							36	35	34	33																																																																						
73					31	30	29	28	27			24	23	22	21	20	19	18	17																																																																							
					16	15	14	13	12		10	9	8	7	6			3	2	1																																																																						
AVAILABLE	NOT APPLICABLE	34566-8423	0	C	BLUE	<table border="1"> <tr><td></td><td></td><td></td><td>69</td><td></td><td>67</td><td></td><td></td><td></td><td>64</td><td></td><td>62</td><td>61</td><td>60</td><td></td><td></td><td>57</td><td></td><td></td><td></td><td>54</td></tr> <tr><td>52</td><td>51</td><td>50</td><td>49</td><td>48</td><td></td><td>46</td><td>45</td><td>44</td><td></td><td>42</td><td>41</td><td></td><td></td><td></td><td>37</td><td></td><td></td><td></td><td>34</td><td>33</td></tr> <tr><td colspan="2">73</td><td></td><td></td><td></td><td></td><td></td><td></td><td>28</td><td>27</td><td>26</td><td>25</td><td></td><td></td><td></td><td></td><td></td><td></td><td></td><td></td><td></td></tr> <tr><td></td><td></td><td></td><td></td><td></td><td>16</td><td>15</td><td>14</td><td>13</td><td>12</td><td>11</td><td>10</td><td>9</td><td>8</td><td>7</td><td></td><td></td><td></td><td></td><td></td><td></td></tr> </table>				69		67				64		62	61	60			57				54	52	51	50	49	48		46	45	44		42	41				37				34	33	73								28	27	26	25															16	15	14	13	12	11	10	9	8	7						
			69		67				64		62	61	60			57				54																																																																						
52	51	50	49	48		46	45	44		42	41				37				34	33																																																																						
73								28	27	26	25																																																																															
					16	15	14	13	12	11	10	9	8	7																																																																												
AVAILABLE	NOT APPLICABLE	34566-8433	0	H	ST GRY	<table border="1"> <tr><td></td><td>79</td><td>78</td><td>77</td><td>76</td><td>75</td><td>74</td><td>73</td><td></td><td></td><td></td><td>69</td><td></td><td></td><td></td><td></td><td></td><td></td><td></td><td></td><td>61</td></tr> <tr><td></td><td></td><td></td><td></td><td></td><td></td><td></td><td></td><td></td><td></td><td></td><td></td><td></td><td></td><td></td><td></td><td></td><td></td><td></td><td></td><td></td></tr> <tr><td>20</td><td></td><td></td><td></td><td></td><td></td><td></td><td></td><td></td><td></td><td></td><td></td><td>9</td><td></td><td></td><td></td><td>5</td><td></td><td></td><td></td><td>1</td></tr> </table>		79	78	77	76	75	74	73				69									61																						20												9				5				1																					
	79	78	77	76	75	74	73				69									61																																																																						
20												9				5				1																																																																						

QUALITY SYMBOLS = 0 = 0 = 0 = 0 = 0 = 0 = 0 = 0 = 0 = 0	THIS DRAWING CONTAINS INFORMATION THAT IS PROPRIETARY TO MOLEX ELECTRONIC TECHNOLOGIES, LLC AND SHOULD NOT BE USED WITHOUT WRITTEN PERMISSION									
	2017/03/27	2017/03/30	GENERAL TOLERANCES (UNLESS SPECIFIED)		DIMENSION UNITS	SCALE				
	DRWN: TYE	CHKD: JDENG02	ANGULAR TOL ± °		MM					
	EC NO: 115012	REV: APPR: JDENG02	4 PLACES ±	3 PLACES ±	DRWN BY DATE		TYE 2016/05/06			
	G49		2 PLACES ±	1 PLACE ±	CHKD BY DATE					
			0 PLACES ±	DRAFT WHERE APPLICABLE MUST REMAIN WITHIN DIMENSIONS		APPR BY DATE		SKRAJENDRANA 2016/08/22		
			DRAWING SIZE		THIRD ANGLE PROJECTION		D			
	SERIES		MATERIAL NUMBER		CUSTOMER		PRODUCT CUSTOMER DRAWING			
	34566		SEE BOM TABLE		GENERAL MARKET					
	DOCUMENT NUMBER		DOC TYPE		DOC PART		SHEET NUMBER			
SD-34566-001		PSD		000		91 OF 92				

STATUS	GM PART #	MATERIAL #	WIRE DRESS OPTION	KEY OPTION	COLOR (TPA)	NUMBERS INDICATE CAVITIES OPEN FOR CIRCUITS																												
						[Circuit Diagram Grid]																												
G49	AVAILABLE	NOT APPLICABLE	34566-8443	0	C	BLUE	[Circuit Diagram Grid]																											
G49	AVAILABLE	NOT APPLICABLE	34566-8453	0	A	BLACK	[Circuit Diagram Grid]																											
G49	AVAILABLE	NOT APPLICABLE	34566-8463	0	B	ST.GRAY	[Circuit Diagram Grid]																											
G49	AVAILABLE	NOT APPLICABLE	34566-8473	0	C	BLUE	[Circuit Diagram Grid]																											
G49	AVAILABLE	NOT APPLICABLE	34566-8483	0	A	BLACK	[Circuit Diagram Grid]																											
G49	AVAILABLE	NOT APPLICABLE	34566-8493	0	B	ST.GRAY	[Circuit Diagram Grid]																											
G49	AVAILABLE	NOT APPLICABLE	34566-8513	9	A	BLACK	[Circuit Diagram Grid]																											
G49	AVAILABLE	NOT APPLICABLE	34566-8523	9	B	ST.GRAY	[Circuit Diagram Grid]																											
G49	AVAILABLE	NOT APPLICABLE	34566-8533	9	C	BLUE	[Circuit Diagram Grid]																											

QUALITY SYMBOLS 	THIS DRAWING CONTAINS INFORMATION THAT IS PROPRIETARY TO MOLEX ELECTRONIC TECHNOLOGIES, LLC AND SHOULD NOT BE USED WITHOUT WRITTEN PERMISSION										
	2017/03/27	2017/03/30	GENERAL TOLERANCES (UNLESS SPECIFIED)		DIMENSION UNITS	SCALE					
	DRWN: TYE		ANGULAR TOL ± °		MM						
	CHKD: JDENG02		4 PLACES ±		DRWN BY DATE		MX123 66/73/80CKT HRNS CONN ASSY				
	REV: APPR: JDENG02		3 PLACES ±		TYE 2016/05/06						
	EC NO: 115012		2 PLACES ±		CHKD BY DATE		PRODUCT CUSTOMER DRAWING				
	DRWN: TYE		1 PLACE ±		APPR BY DATE						
	CHKD: JDENG02		0 PLACES ±		SKRAJENDRANA 2016/08/22		SERIES	MATERIAL NUMBER	CUSTOMER		
	REV: APPR: JDENG02		DRAFT WHERE APPLICABLE MUST REMAIN WITHIN DIMENSIONS		DRAWING SIZE	THIRD ANGLE PROJECTION	34566	SEE BOM TABLE	GENERAL MARKET		
	G49		D		D		DOCUMENT NUMBER	DOC TYPE	DOC PART	SHEET NUMBER	
						SD-34566-001	PSD	000	92 OF 92		