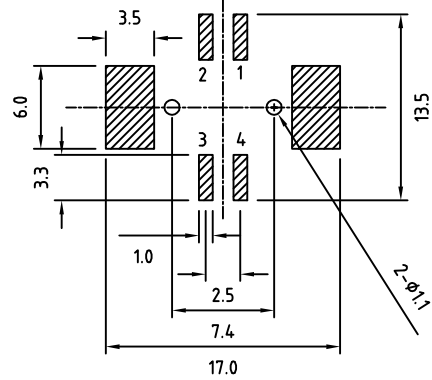
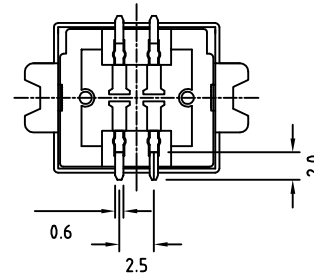
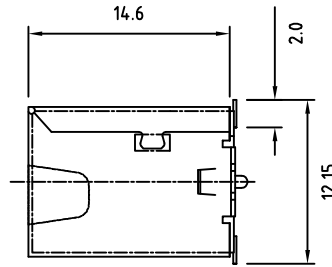
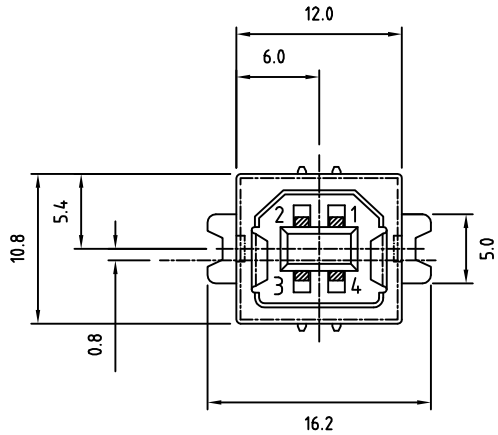
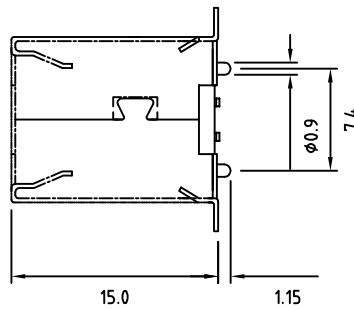


SIGN	DATE	DESCRIPTION	APPROVER
△	2012.10.03	USB 2.0 detail added	SHIN
<i>THIS IS CAD DRAWING, DO NOT REVISE MANUALLY!!!</i>			



(COMPONENT SIDE)  
PCB LAYOUT



**Material**

- Housing: Nylon PA9T
- Flammability: UL94V-0
- Terminal: Phosphor Bronze
- Contact Plating: See options
- Shell: Brass
- Shell Plating: Nickel

**Ratings**

- Current: 1.5A
- Voltage: 250V AC(r.m.s.)
- Dielectric Voltage: 750V AC
- Contact Resistance: <30mΩ
- Insulation Resistance: >1,000 MΩ
- Operating Temperature: -55° - +85°
- Storage Temperature: -0° - +40°

RoHS Compliant

PLATING:  
6: Selective Au Flash/50u" Ni  
8: Selective 30u" Au/50u" Ni (USB 2.0)

PART NUMBER:

**USB-B1SMV~~S~~XX**

COLOR:  
B: Black  
W: White



THESE DRAWINGS AND SPECIFICATIONS ARE THE PROPERTY OF ON-SHORE TECHNOLOGY, INC. AND SHALL NOT BE REPRODUCED, COPIED OR USED IN ANY MANNER WITHOUT THE PRIOR WRITTEN CONSENT OF ON-SHORE TECHNOLOGY, INC.

TITLE		USB - B type, Vertical, SMT	
PART NO.	USB-B1SMV <del>S</del> XX	DWG NO.	USB-B1SMV <del>S</del> XX.DWG
APPROVED	CHECKED	DESIGNED	DRAWN
Steven 2007.03.30	Marvin 2007.03.30	Marvin 2007.03.30	Marvin 2007.03.30
		3471	
		Tolerance	
		UNIT: mm	
		SCALE: NONE	
		REV.: A	
		SHEET: 01/01	

X.*	±1°
X.X	±0.38
X.XX	±0.25
X.XXX	±0.13