

SIGN	DATE	DESCRIPTION	APPROVER
	11.01'06	The Electrical is changed.	Marvin

THIS IS CAD DRAWING, DO NOT REVISE MANUALLY!!!

**Material**

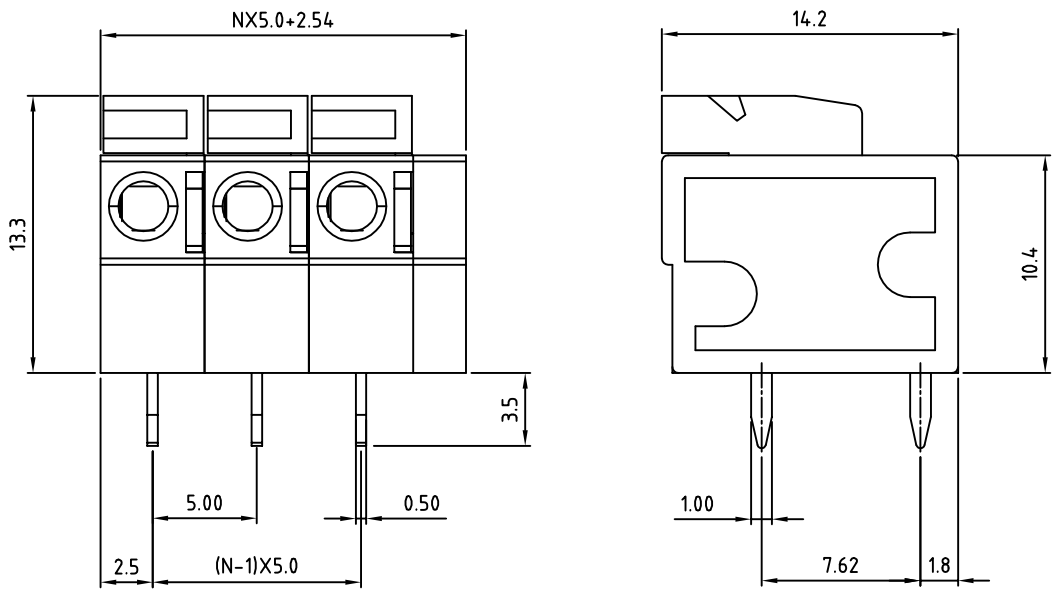
- Terminal body (Contact pin): Brass
- Wire guard: Stainless steel
- Surface of solder tail: Tin plated
- Insulator (housing): Thermoplastic (UL94V-0)

**Electrical cULus/VDE**

- Voltage rating: 300VAC/250VAC
- Current rating: 10A/10A
- Wire range: 0.75-1.5mm<sup>2</sup>
- Solid wire(AWG): 14-24
- Stranded wire(AWG): 14-24
- Pull force:
- Screw:
- Wire strip length: 6-7mm
- Withstanding Voltage: 1.6KV/2KV
- Operating temperature: -30°C to +105°C
- Soldering temperature: 250°C±10°C/5 Sec
- Safety Approval:

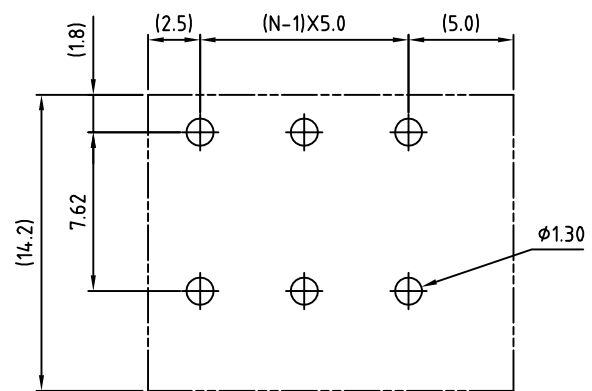


RoHS Compliant



N=Number of contacts

**P.C.B. LAYOUT**



PART NUMBER:

**OSTHAXX3150**

No. of Poles	COLOR
02 2 Poles	2: Red
03 3 Poles	3: Orange
... ..	5: Green (Standard)
24 24 Poles	6: Grey



THESE DRAWINGS AND SPECIFICATIONS ARE THE PROPERTY OF ON-SHORE TECHNOLOGY, INC. AND SHALL NOT BE REPRODUCED, COPIED OR USED IN ANY MANNER WITHOUT THE PRIOR WRITTEN CONSENT OF ON-SHORE TECHNOLOGY, INC.

TITLE		OSTHA-5.0mm Horizontal (180° wire inlet)	
PART NO.	OSTHAXX3150	DWG NO.	OSTHAXX3150.DWG
APPROVED	CHECKED	DESIGNED	DRAWN
Shi Jun 2006.11.01	Marvin 2006.11.01	Steady 2006.10.11	Steady 2006.10.11
SHEET: 01/01		REV: D	
UNIT: mm		Tolerance	
SCALE: NONE		X. ±0.50	
		X.X ±0.30	
		X.XX ±0.10	
		X° ±1°	