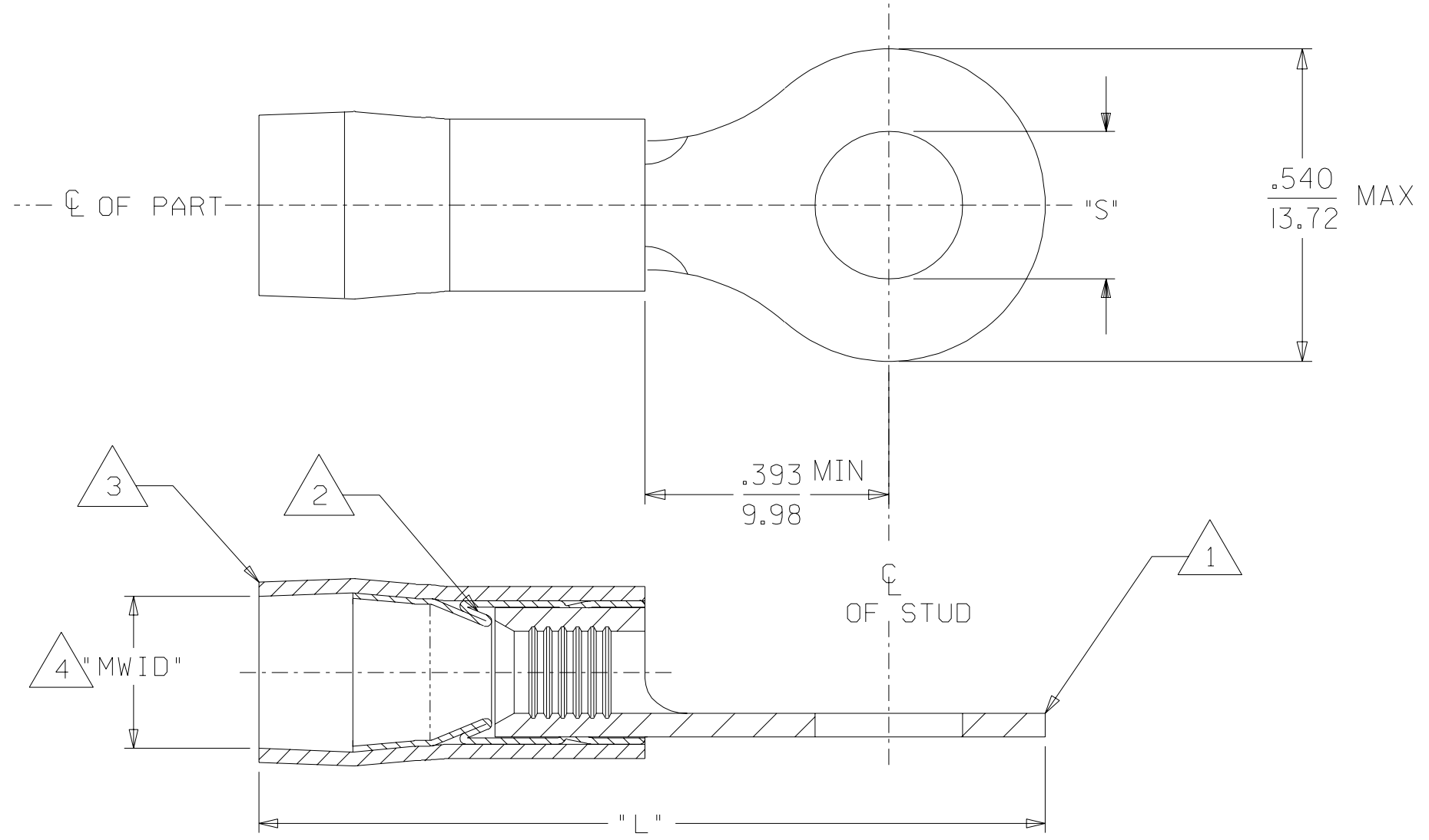
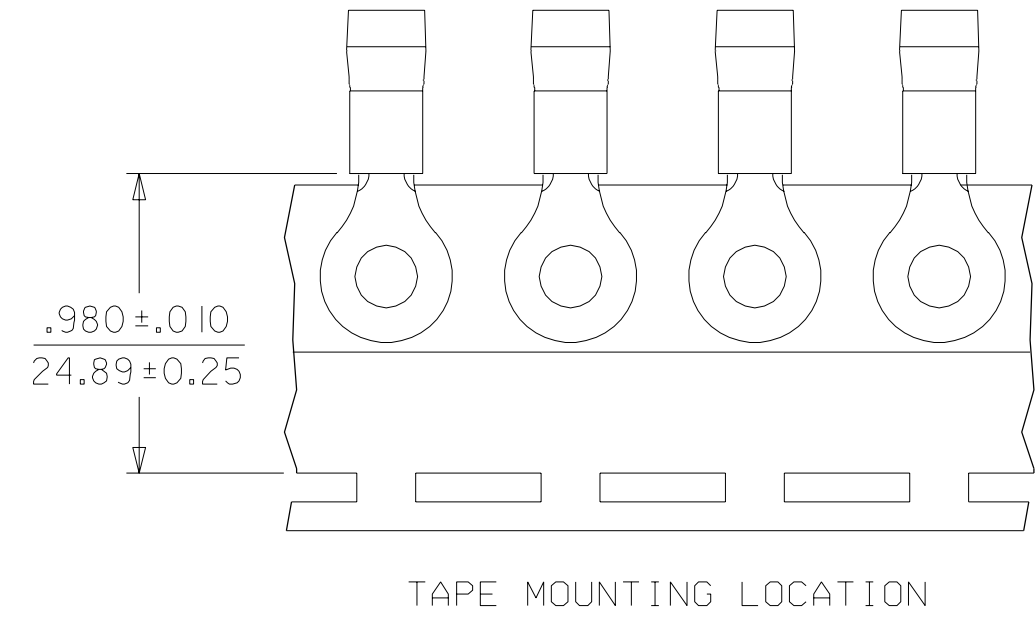


MATERIAL NUMBER	ENGINEERING NUMBER	STUD SIZE	MAX "S"	"MWID"	MAX "L"	PACKAGING
190730182	C-830-10XLBK	10	.214	.233	1.36	LOOSE PIECE
190730192	C-830-14XLBK	*	.278			
190730203	C-830-56XLBK	*	.340			
190730272	C-830-10XXBX	10	.214	.320	1.34	LOOSE PIECE
190730273	C-830-14XXBK	*	.278			
190730274	C-830-56XXBK	*	.340			
190730185	C-830-10XX	10	.214	.320	1.34	LOOSE PIECE
190730195	C-830-14XX	*	.278			
190730206	C-830-56XX	*	.340			
190730183	C-830-10XLBKT	10	.214	.233	1.36	TAPE MOUNT
190730193	C-830-14XLBKT	*	.278			
190730204	C-830-56XLBKT	*	.340			
190730272	C-830-10XXBXT	10	.214	.320	1.34	TAPE MOUNT
190730273	C-830-14XXBKT	*	.278			
190730274	C-830-56XXBKT	*	.340			
190730185	C-830-10XXT	10	.214	.320	1.34	TAPE MOUNT
190730195	C-830-14XXT	*	.278			
190730206	C-830-56XXT	*	.340			



# SALES DRAWING

- NOTES:
1. TERMINAL MATERIAL: BRASS  
FINISH: ELECTRO-TIN
  2. FERRULE MATERIAL: BRASS  
FINISH: ELECTRO-TIN.
  3. INSULATION MATERIAL: BLACK NYLON
  4. "MWID" = MAXIMUM WIRE INSULATION DIAMETER.

NEW RELEASE EC NO: ETC2002-0191 DRWN: BRE 02/01/18 CHK: HEB 02/01/18 APPR: RWD 02/01/18	QUALITY SYMBOLS MAJOR = 0 CRITICAL = 0	GENERAL TOLERANCES: (UNLESS SPECIFIED)	SCALE: NO: NE DESIGN UNITS: <input type="checkbox"/> mm <input checked="" type="checkbox"/> INCH	DIMENSIONS: <input type="checkbox"/> mm <input checked="" type="checkbox"/> INCH <input type="checkbox"/> mm ONLY	SHT REV	
	4 PLACES ±0.    ±. 3 PLACES ±0.    ±. 2 PLACES ±0.    ±. 1 PLACE ±0.    ±.	ANGULAR: ±    °	DRAFT WHERE APPLICABLE MUST REMAIN WITHIN DIMENSIONS	DRAWN BY & DATE BRE 02/01/16	CHECKED BY & DATE HEB 02/01/16	APPROVED BY & DATE RWD 02/01/16
	TITLE: AVIKRIMP RAILROAD RING TONGUE TERMINALS 12-10 AWG			MOLEX INCORPORATED		
	CAD FILENAME: SD-19058-006 .DGN			MATERIAL NO. SEE CHART	DRAWING NO. SD-19058-006	SHEET NO. 1 OF 1

THIS DRAWING CONTAINS INFORMATION THAT IS PROPRIETARY TO MOLEX INCORPORATED AND SHOULD NOT BE USED WITHOUT WRITTEN PERMISSION.