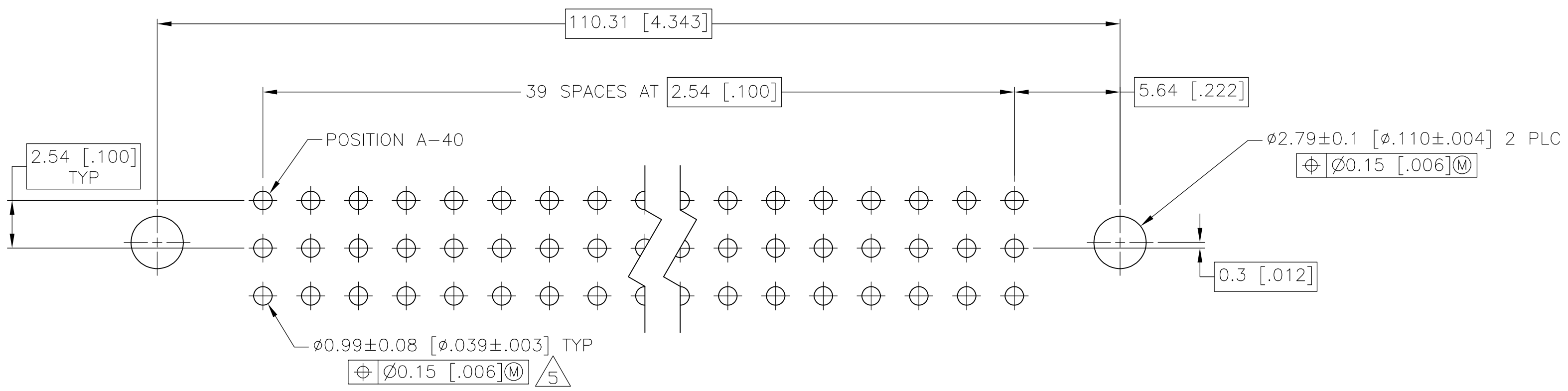
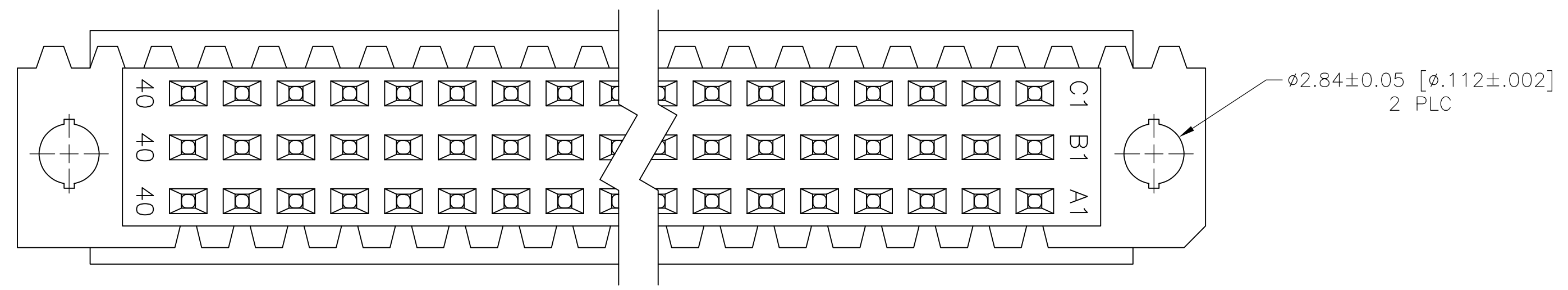
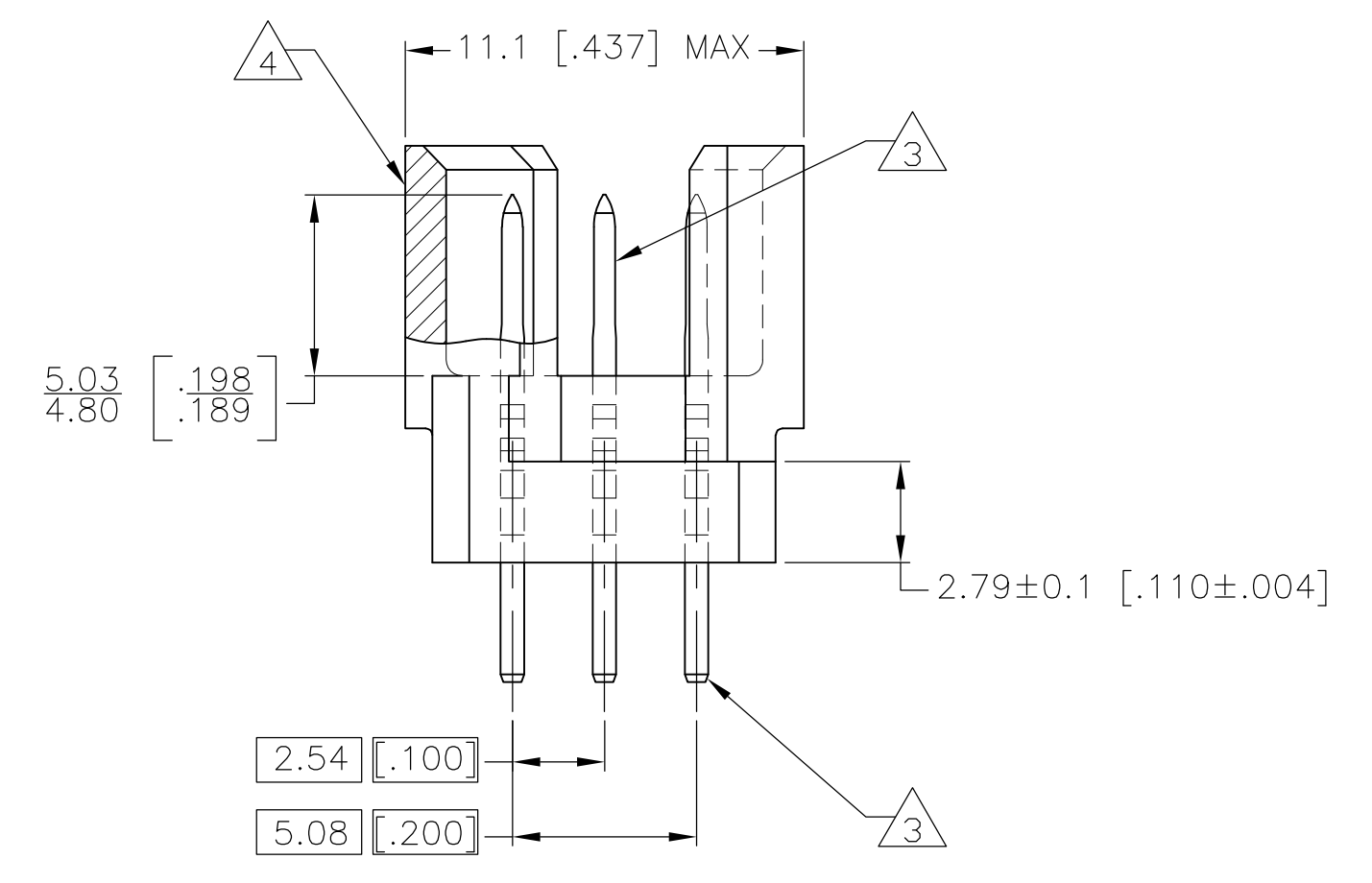
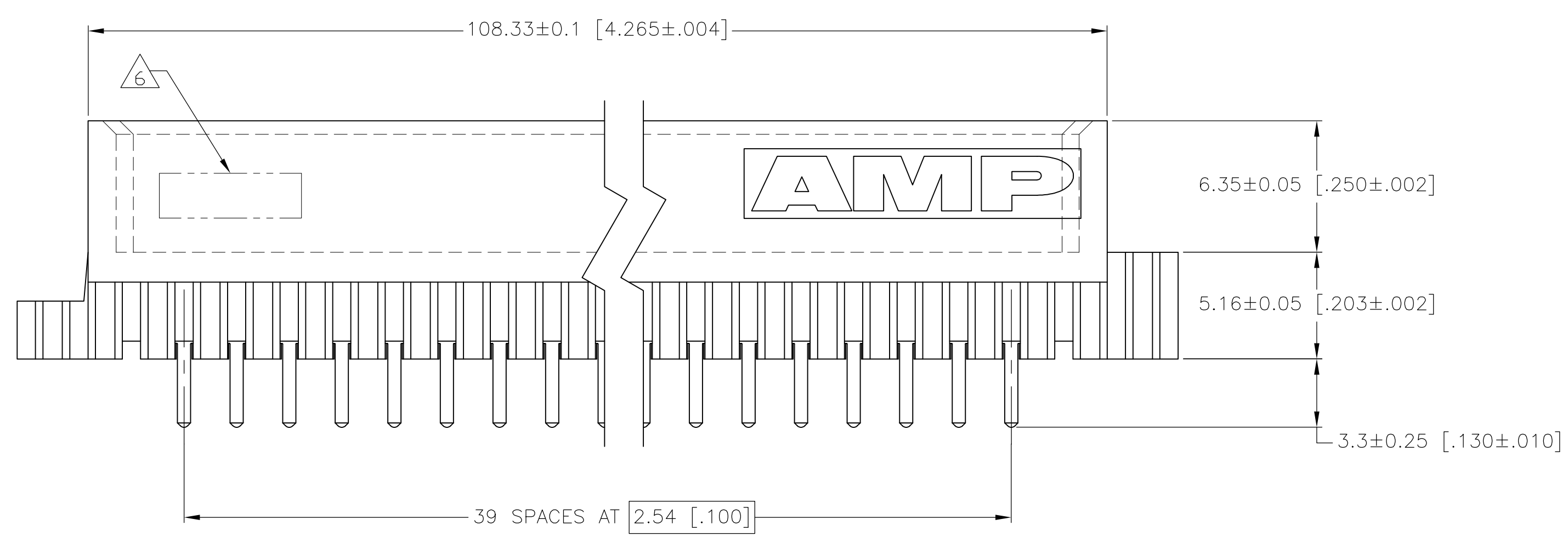


- 1 HOUSING MATERIAL: GLASS-FILLED POLYMER.
- 2 POST MATERIAL: COPPER ALLOY.
- 3 POST FINISH: DIN 41612 CLASS 2 IN CONTACT AREA. TIN PLATE ON POSTS.
- 4 MARKING ON THIS SIDE.
- 5 RECOMMENDED HOLE SIZE FOR MANUAL APPLICATION OF CONNECTOR ONTO PC BOARD.
- 6 PART NUMBER, DATE CODE MARKED THIS APPROXIMATE AREA.



PC BOARD LAYOUT

1-40	X	X	X	120	5650919-5
POSITIONS LOADED	C	B	A	NO OF LOADED POSITIONS	ASSY PART NUMBER
	ROWS LOADED				

THIS DRAWING IS A CONTROLLED DOCUMENT.		DWN: J. POLIGNONE	OSMAYOS	Tyco Electronics Corporation Harrisburg, PA 17105-3608	
DIMENSIONS: mm [INCHES]		CHK: A. SHARPE	OSMAYOS	NAME: ASSEMBLY, PIN, EUROCARD, TYPE R, 120 POSITION, 3.30[.130] SOLDER POST	
TOLERANCES UNLESS OTHERWISE SPECIFIED:		APP'D: A. SHARPE	OSMAYOS	PRODUCT SPEC: ---	
0 PLC ± -		APPLICATION SPEC: ---		SIZE: A1	
1 PLC ± -		RESTRICTED TO: ---		CAGE CODE: 00779	
2 PLC ± 0.13 [.005]		WEIGHT: ---		DRAWING NO: 5650919	
3 PLC ± -		CUSTOMER DRAWING		SCALE: 5:1	
4 PLC ± -		SHEET: 1 OF 1		REV: 02	
ANGLES ± -					
FINISH: 3					