



PRODUCT NUMBER
20020346-XXXXXXLF

20020346-□ □ □ □ □ 0 □ L F

PITCH
H: 5.08 mm

POLES
02: 2 POLES
03: 3 POLES
|
24: 24 POLES

LF : NOTED RoHS COMPATIBLE

1 : STANDARD PRODUCT
W/ BOX PACKING

PROPERTY TABLE		
PITCH (mm)		5.08
VOLTAGE RATING (VAC)		300
CURRENT RATING (A)	cULus	10
APPLICABLE WIRE RANGE (AWG)	SOLID	16~26
	STRANDED	16~26
WIRE STRIP LENGTH(mm)		6~7
TORQUE +/-10% (N-m/Lb-in)		0.4/3.5
SCREW		M3
WITHSTANDING VOLTAGE (kV)	cULus	1.6
OPERATING TEMP. (°C)		-40~+115
SOLDERING TEMP. (°C)		250±10/5 Sec
POLES AVAILABLE		02~24
SAFETY CERTIFICATE		

HOUSING CODE

CODE	COLOR	AVAILABILITY
1	GREEN(RAL 6018/T)	STANDARD
2	BLACK(RAL 9005)	ON REQUEST ONLY
3	GREY(RAL 7035/D)	ON REQUEST ONLY
4	BLUE(RAL 5015/A)	ON REQUEST ONLY

SCREW CODE

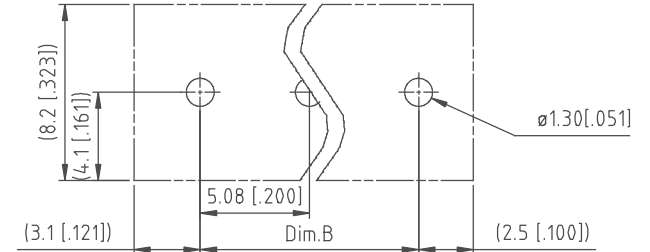
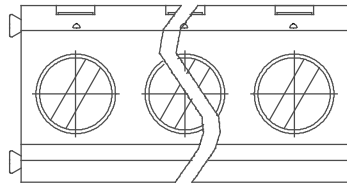
CODE	SCREW TYPE	AVAILABILITY
A	-/+	ON REQUEST ONLY
B	-	STANDARD

NOTES:

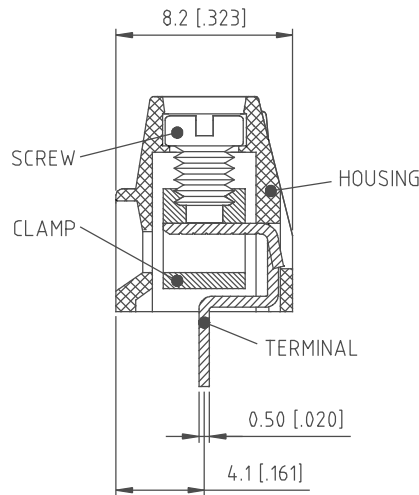
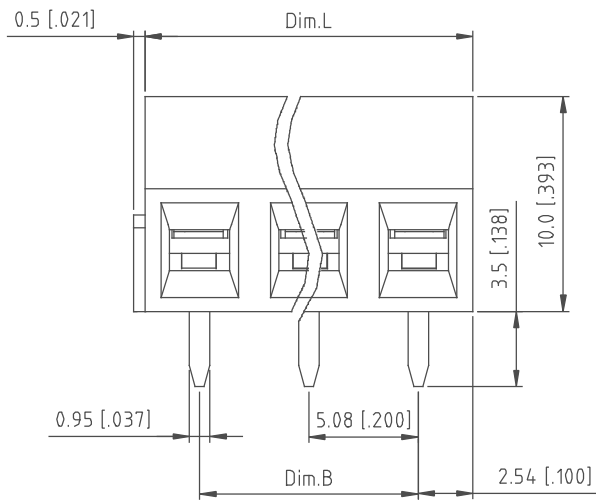
- MATERIAL:
 - 1-1. HOUSING: THERMOPLASTIC RESIN, UL94V-0 RATED.
 - 1-2. CLAMP: BRASS, NICKEL PLATED.
 - 1-3. TERMINAL: BRASS, TIN PLATED.
 - 1-4. SCREW: STEEL, ZINC PLATED.
- PRODUCT SPECIFICATION REFER TO FCI GS-12-625.
- PRODUCT PACKING SPECIFICATION REFER TO FCI GS-14-1394.
- THE PRODUCTS WHERE THE PART NUMBER END IN "LF" MEET THE EUROPEAN UNION DIRECTIVE AND OTHER COUNTRY REGULATIONS AS DESCRIBED IN GS-22-008.

mat'l. code		surface ASME Y14.5 <input checked="" type="checkbox"/>	tolerance ASME Y14.5	projection 	product family TERMINAL BLOCK
ltr	ecn no	dr	date	tolerances unless otherwise specified	
A		LS	082112	angles X.±0.5	title TERMINAL BLOCK FIXED, SIGNAL
				mm X.X±0.3	scale MM [INCH]
				X'±1'	X.XX±0.1
		dr	LEIF SHEN	081012	dwg no 20020346 sheet 1 of 2 size A4
		enr	LEIF SHEN	081012	
		chr	LEIF SHEN	081012	
		appd	JOSEPH HSIA	081012	
sheet index	revision sheet	A	A		type CUSTOMER Drawing
		1	2		

PRODUCT NUMBER	PITCH
20020346-HxxxxxxLF	5.08 mm



P.C.B LAYOUT



N=Number of contacts
 Dim.L=Nx5.08 [.200]
 Dim.B=(N-1)x5.08 [.200]

POLES	Dim B	Dim L
2-8p	±0.20 [.008]	
9-15p	±0.25 [.010]	±0.30 [.012]
16-24p	±0.30 [.012]	±0.40 [.016]

mat'l. code		surface	tolerance	projection	product family
		ASME Y14.5	ASME Y14.5		TERMINAL BLOCK
ltr	ecn no	dr	date	title	
				TERMINAL BLOCK FIXED, SIGNAL	
A		angles	X.±0.5	MM	sheet 2 of
		linear	X.X±0.3	INCH	
		X'±1'	X.XX±0.1	scale	size
		dr	LEIF SHEN 081012		20020346
		enr	LEIF SHEN 081012		A4
		chr	LEIF SHEN 081012		type
		appd	JOSEPH HSIA 081012		CUSTOMER Drawing
sheet index	revision sheet				