

13

12

11

10

9

8

7

6

40713

4

3

2

1

J

I

H

G

F

E

D

C

B

A

J

I

H

G

F

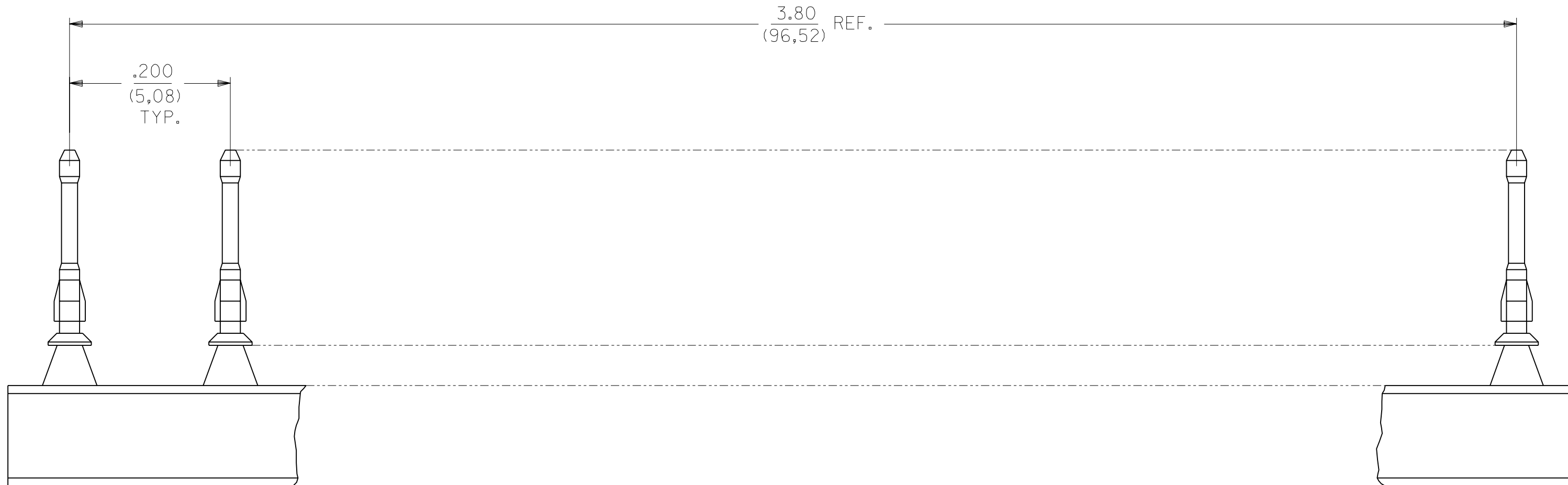
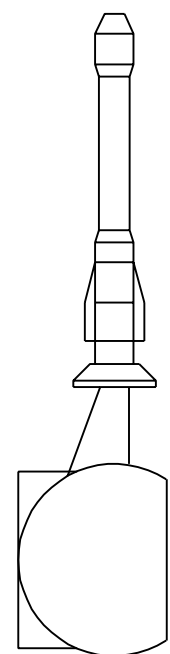
E

D

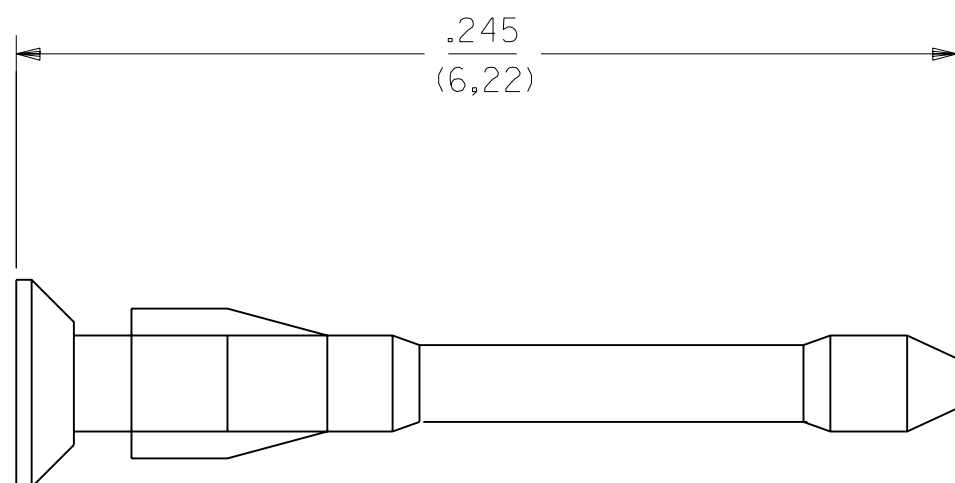
C

B

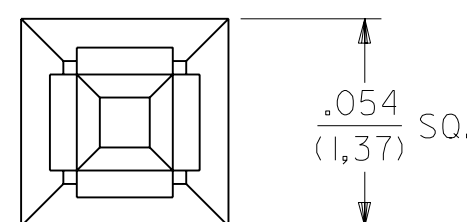
A



SCALE 8:1



SCALE 20:1



NOTES:

- 1. MATERIAL: G.F. POLYESTER; UL 94V-0, COLOR: SEE CHART
- 2. TO BE USED WITH PRODUCT HAVING .032 - .038 SQ. PIN WINDOWS.
- 3. KEY IS MOLDED AS A 20-PIECE UNIT.
- 4. PART FUNCTIONS WITH OR WITHOUT PRESENCE OF CONTACT IN HOUSING.

40713

D ADD TO CAD  
ECN UDT2001-0538  
SCHAFFER 00/11/17

MFG.	SH.	REV.	LTR.	REVISIONS

UNLESS OTHERWISE SPECIFIED TOLERANCES: ANGULAR ± 1/2°

DIMENSIONS SHOWN (METRIC) INCH	
INCH	METRIC
3 PLACE ± .005	---
2 PLACE ± .01	± 0,13
1 PLACE ---	± 0,25

REVISIONS:  $\nabla$  = 0,  $\blacktriangledown$  = 0

REVISE ONLY ON CAD SYSTEM

TITLE: UNIVERSAL POLARIZING PIN

15-04-0293	WHITE
15-04-0292	BLACK
ORDER NO.	COLOR PIN MATERIAL

MOLEX INCORPORATED  
LISLE, ILL. 60532 U.S.A.

SEE CHART SD-40713-\*\*\*

DRWG. BY: JJS  
APP'D. BY: DJB

CHK'D. BY: DJB  
SCALE: 20:1

THIS DRAWING CONTAINS INFORMATION THAT IS PROPRIETARY TO MOLEX INC. AND SHOULD NOT BE USED WITHOUT WRITTEN PERMISSION.

DD C

13

12

11

10

9

8

7

6

5

4

3

2

1