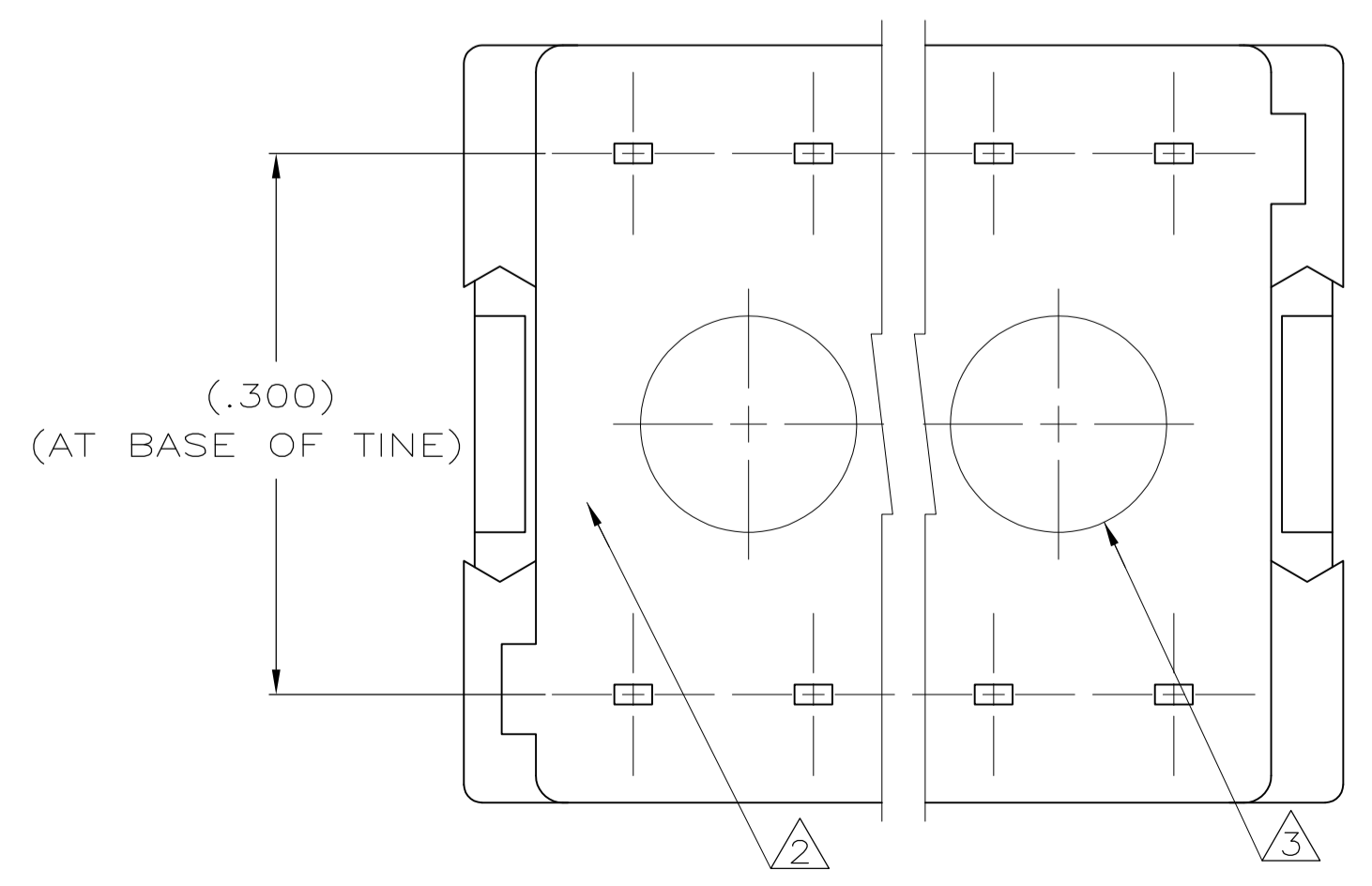
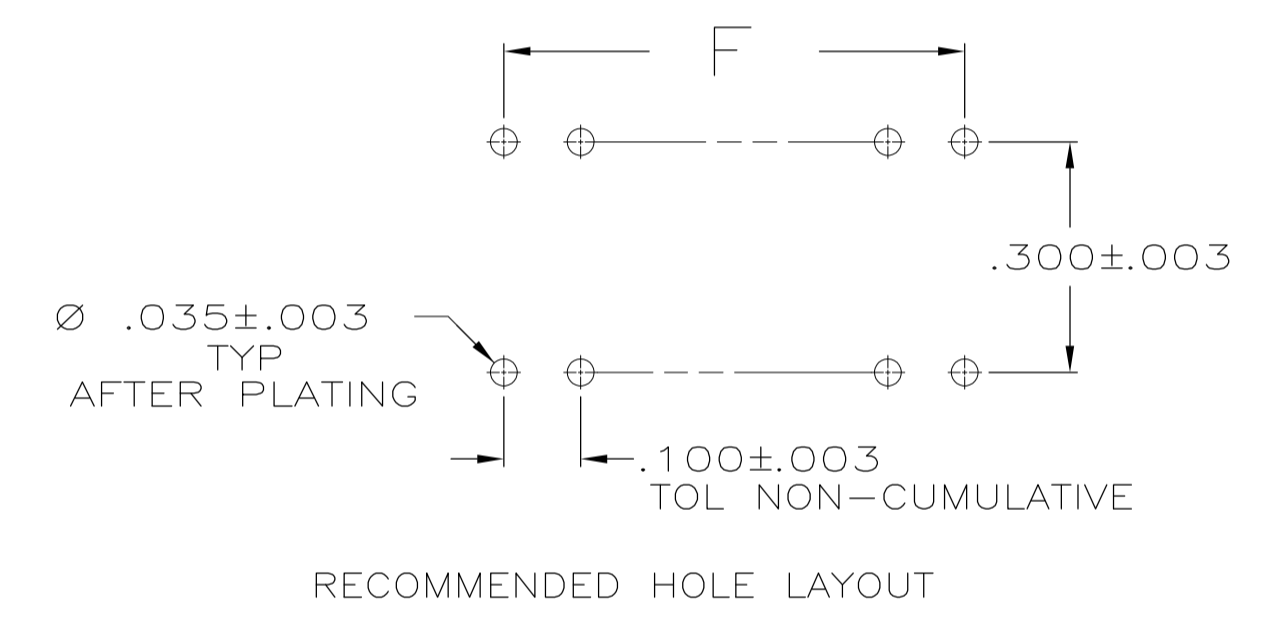
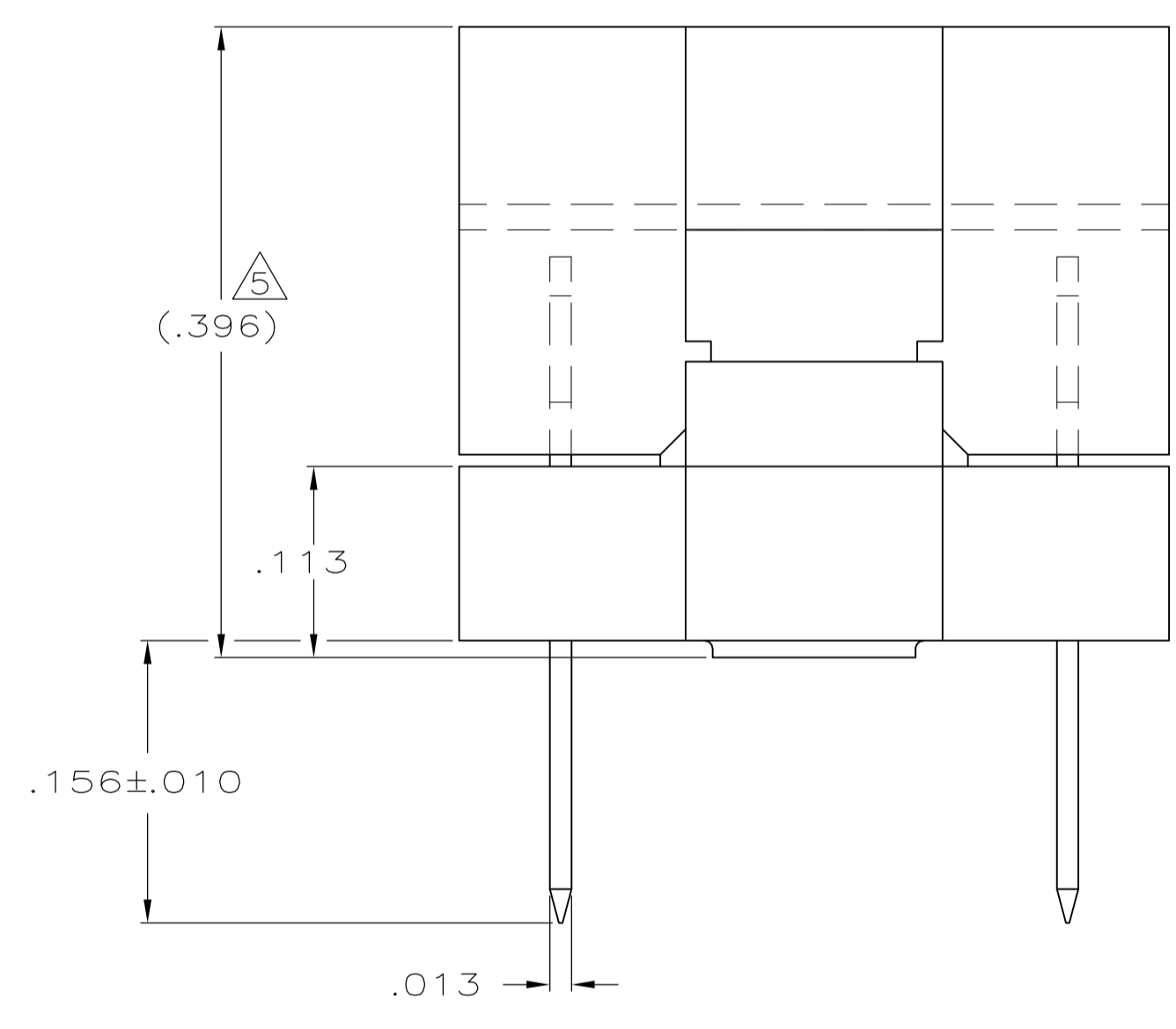
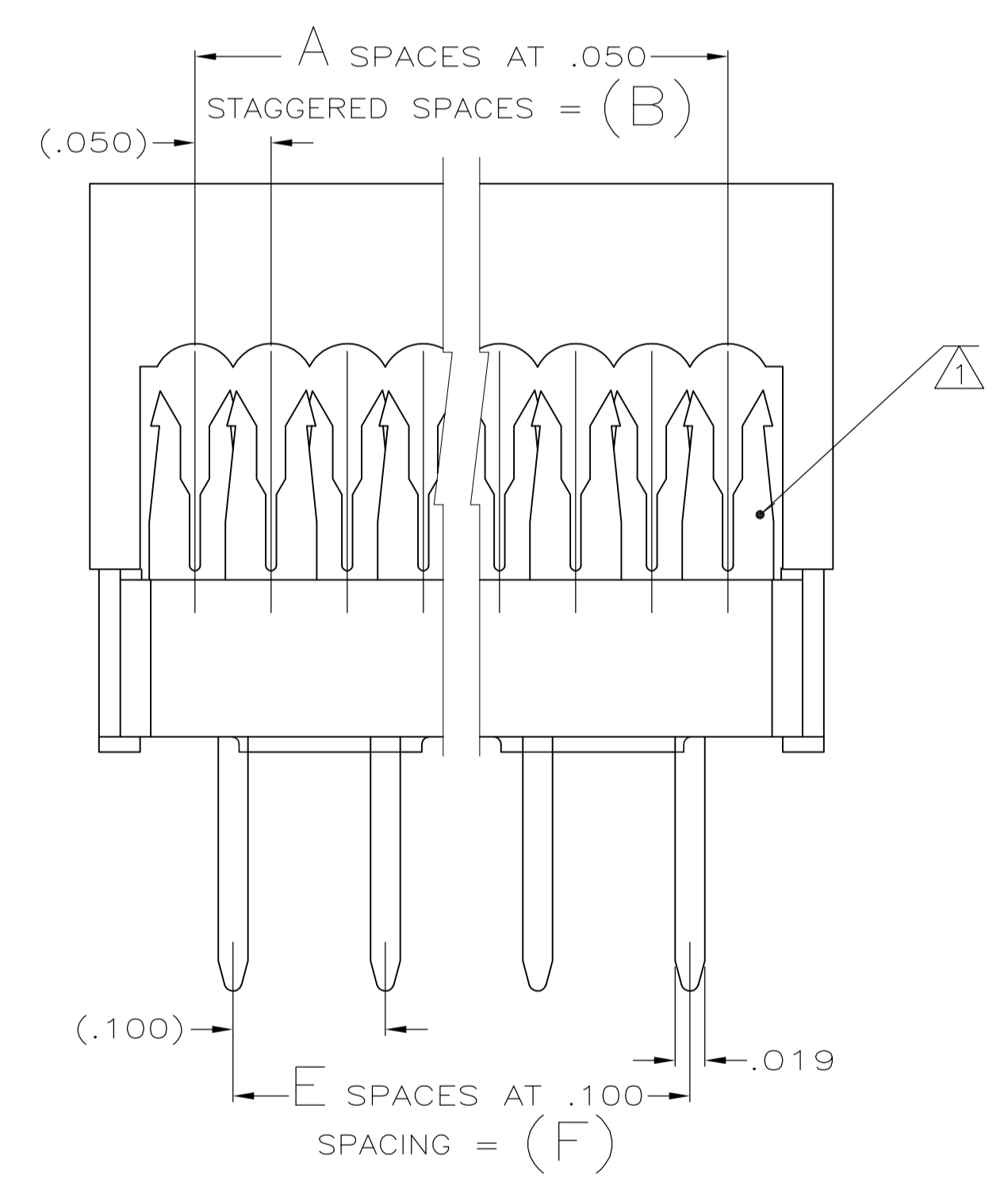
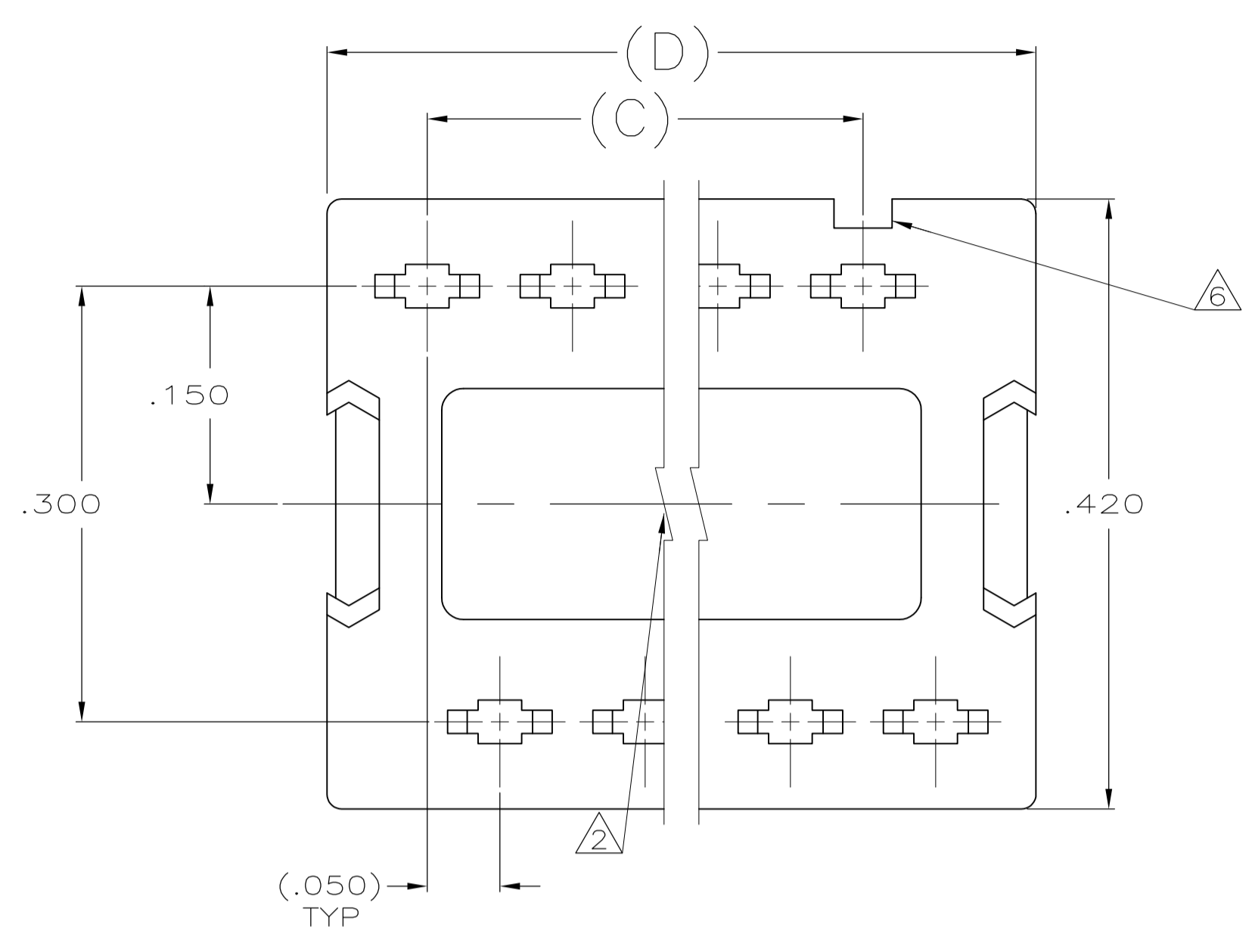


LOC		DIST		REVISIONS			
GP	00	REV	DATE	BY	CHK	APPV	
B1	REVISED PER ECO-11-004835	11MAR11	RK	HMR			

- ① CONTACTS DESIGNED FOR 28 AWG STRANDED OR 26,28, & 30 AWG SOLID WIRE.
- ② AMP TRADEMARK LOCATED IN APPROX AREA SHOWN.
- ③ STANDOFFS: POSN 8 (2) STANDOFFS AS SHOWN. POSN 14-20 (3) STANDOFFS, (1) CENTERED BETWEEN (2) SHOWN
- ④ .000005 MIN GOLD ON RIBBON CABLE TERMINATION AREA  
.000100-.000200 MATTE TIN ON SOLDER TAILS, ALL OVER  
.000050 MIN NICKEL.
- ⑤ HEIGHT AFTER TERMINATION IS (.253).
- ⑥ INDICATES NO 1 POSITION.
- ⑦ MOLDED PARTS: 94V-0 RATED THERMOPLASTIC, COLOR BLACK.  
CONTACTS: PHOS BRONZE



OBSOLETE	.900	9	1.088	.900	.950	19	20	5746613-5
OBSOLETE	.800	8	.988	.800	.850	17	18	-4
	.700	7	.888	.700	.750	15	16	-3
	.600	6	.788	.600	.650	13	14	-2
	.300	3	.488	.300	.350	7	8	5746613-1
	F	E	D	C	B	A	NO OF POSN	

THIS DRAWING IS A CONTROLLED DOCUMENT.

DIMENSIONS: INCHES	TOLERANCES UNLESS OTHERWISE SPECIFIED:	APPROVED: M. WALMSLEY	DATE: 11-29-04	NAME: M. WALMSLEY
0. PLC ± -	1. PLC ± -	2. PLC ± -	3. PLC ± .005	4. PLC ANGLES ± -
MATERIAL: ⑦	FINISH: ④	WEIGHT: -	SIZE: A1	SCALE: NTS

**STE** TE Connectivity  
 KIT, AMP-LATCH DIP PLUG, PREASSEMBLED .100 X .300 CENTERS.  
 CUSTOMER DRAWING  
 SHEET 1 OF 1 REV B1